



US00D358033S

United States Patent [19]

[11] Patent Number: **Des. 358,033**

Klump

[45] Date of Patent: **** May 9, 1995**

[54] **COMBINED BRUSH AND SPONGE SHAVING CREAM APPLICATOR**

Primary Examiner—James M. Gandy
Assistant Examiner—Lavone D. Tabor
Attorney, Agent, or Firm—Basil Travis

[76] Inventor: **Warren L. Klump**, 450 N. Windsor Ave., Stockton, Calif. 95205

[57] **CLAIM**

[**] Term: **14 Years**

The ornamental design for a combined brush and sponge shaving cream applicator, as shown and described.

[21] Appl. No.: **832,483**

DESCRIPTION

[22] Filed: **Feb. 5, 1992**

[52] U.S. Cl. **D4/114; D4/127**

[58] Field of Search D4/114, 116, 127, 130, D4/132, 135; D9/337-338; 15/106-107, 114, 159.1, 160; 401/123, 129, 190, 196, 200-207, 268, 286, 288-289

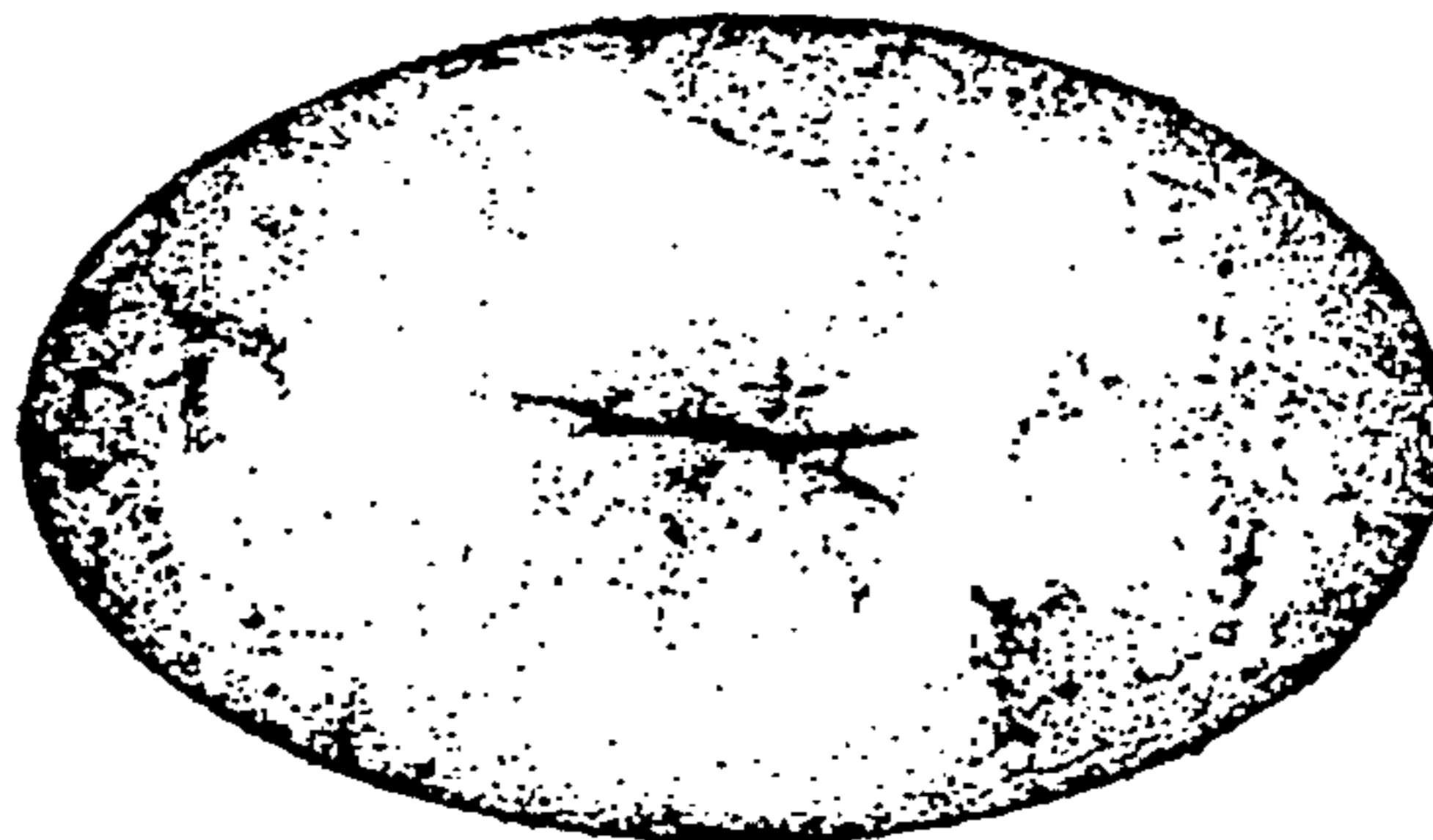
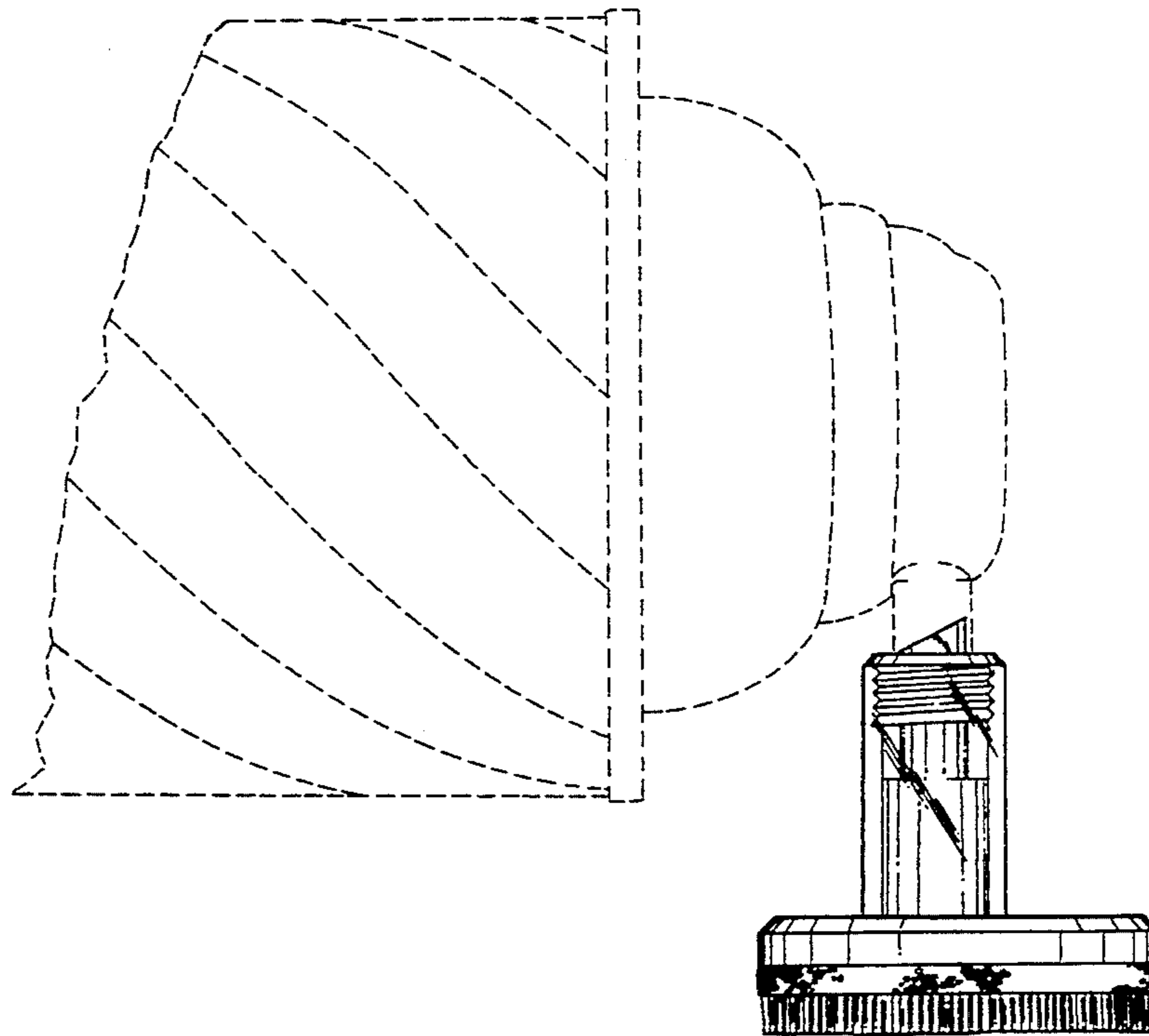
FIG. 1 is a side elevational view of the combined brush and sponge shaving cream applicator, the opposite side being a mirror image thereof. The broken lines illustrating a can of shaving cream are for illustrative purposes and form no part of the claimed design; FIG. 2 is a front elevational view thereof; FIG. 3 is a rear elevational view thereof; FIG. 4 is a top plan view thereof; and, FIG. 5 is a bottom plan view thereof.

[56] **References Cited**

U.S. PATENT DOCUMENTS

D. 205,127	6/1966	Dykes, Jr.	D4/114
3,032,803	5/1962	Walshauser	401/190
3,333,292	8/1967	Chase et al.	401/190 X

The sponge surface pattern and the bristles are partially shown for ease of illustration and are understood to repeat along the areas indicated.



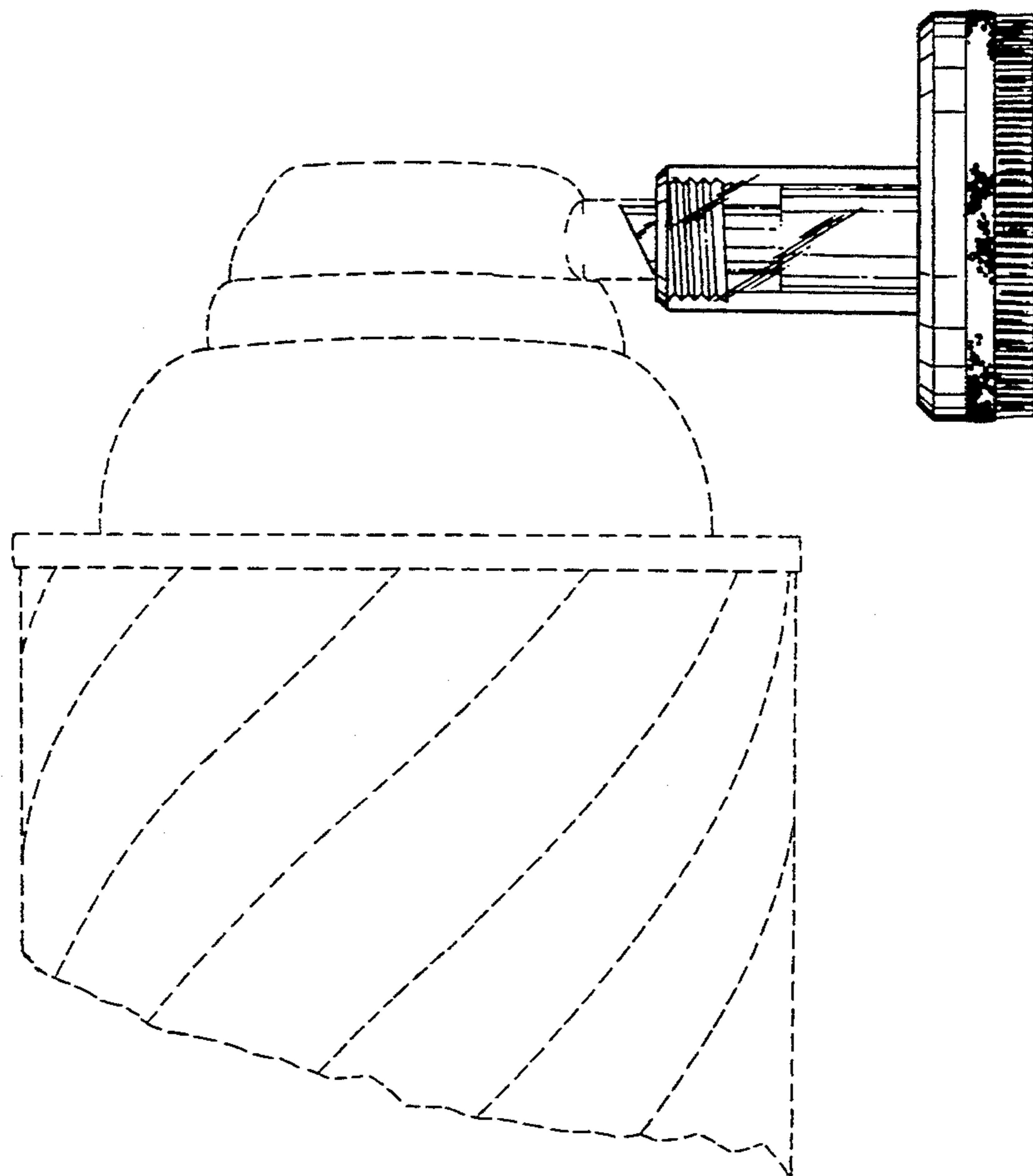


FIG. 1

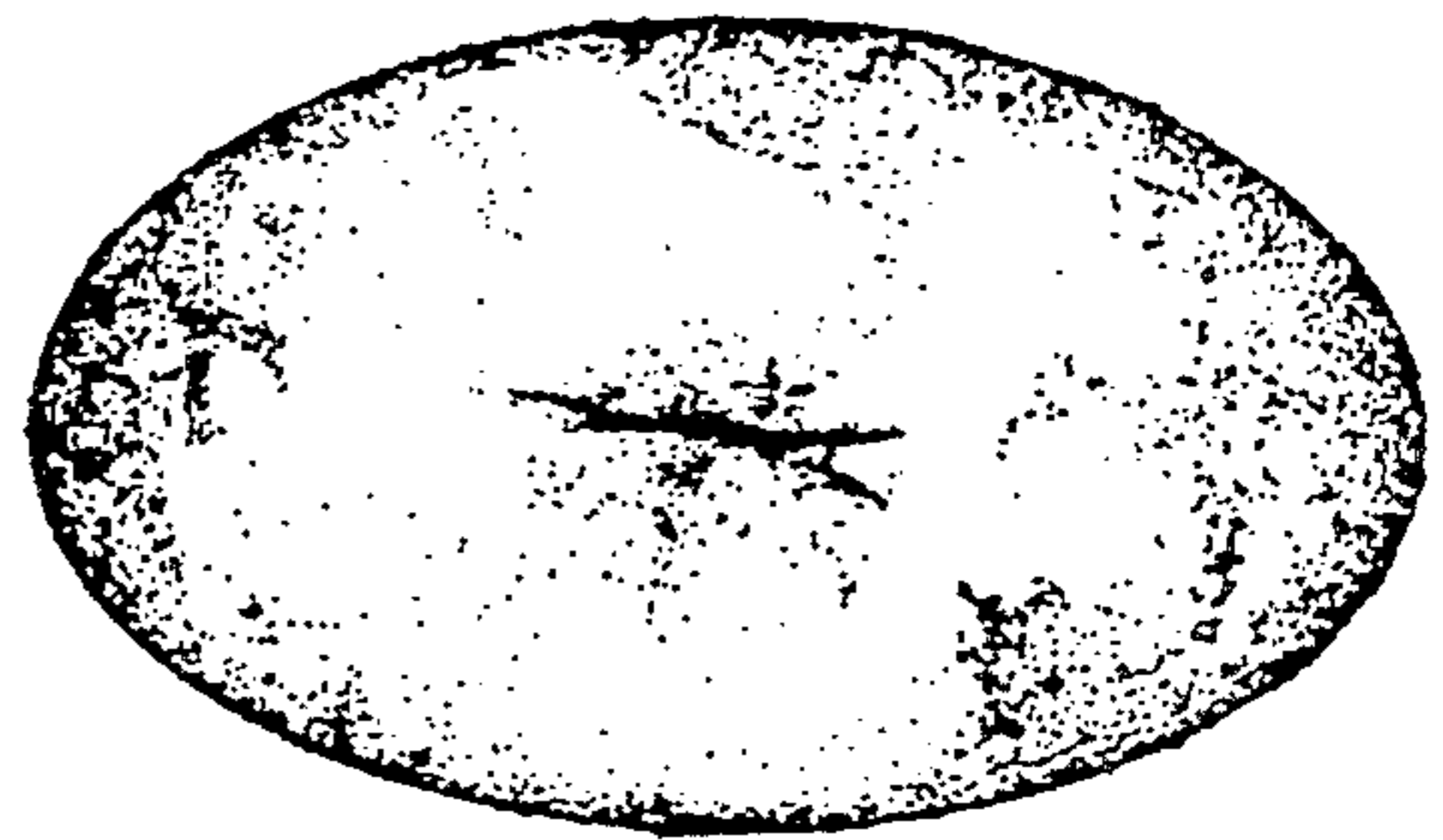


FIG. 2

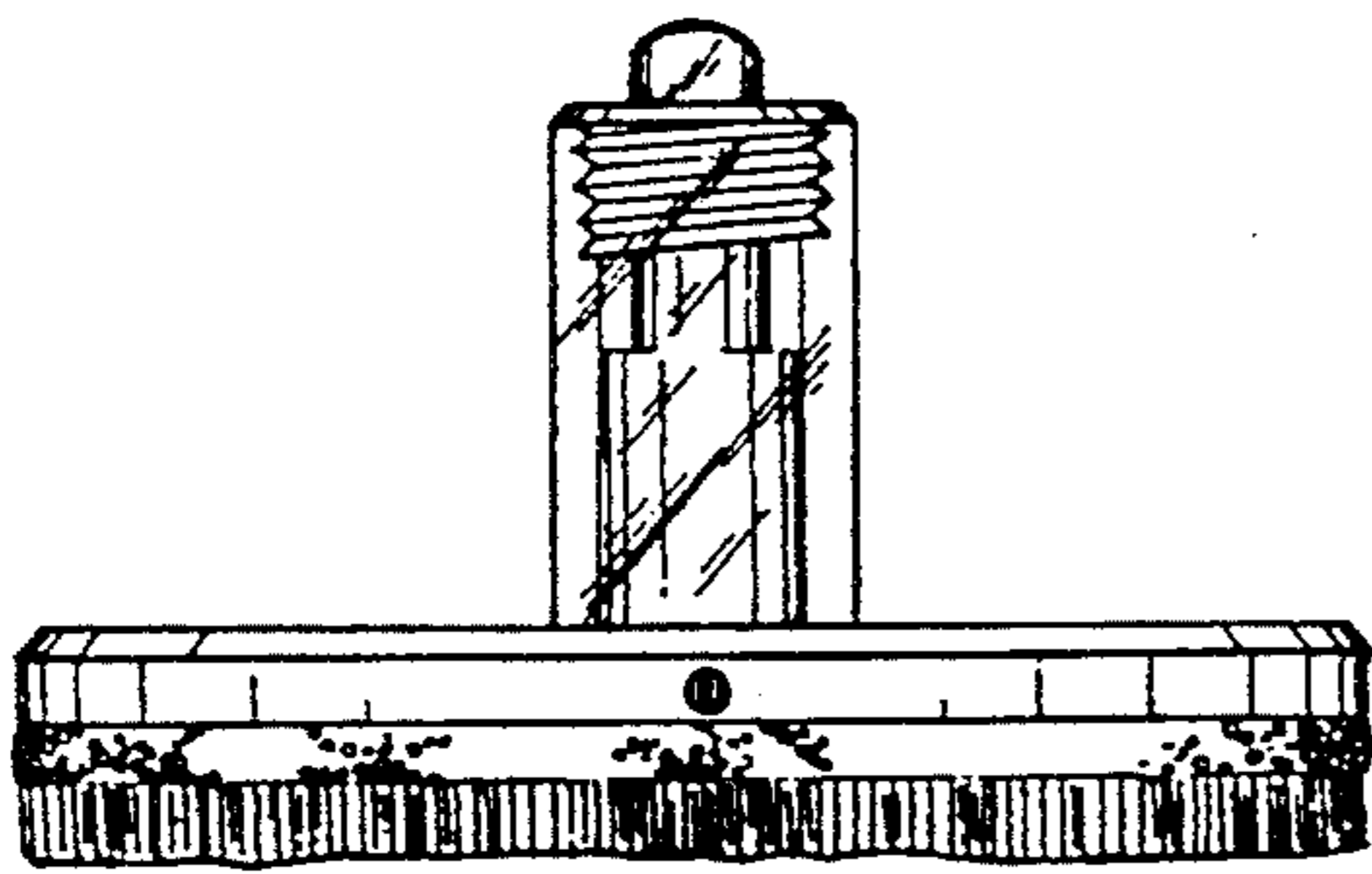


FIG. 4

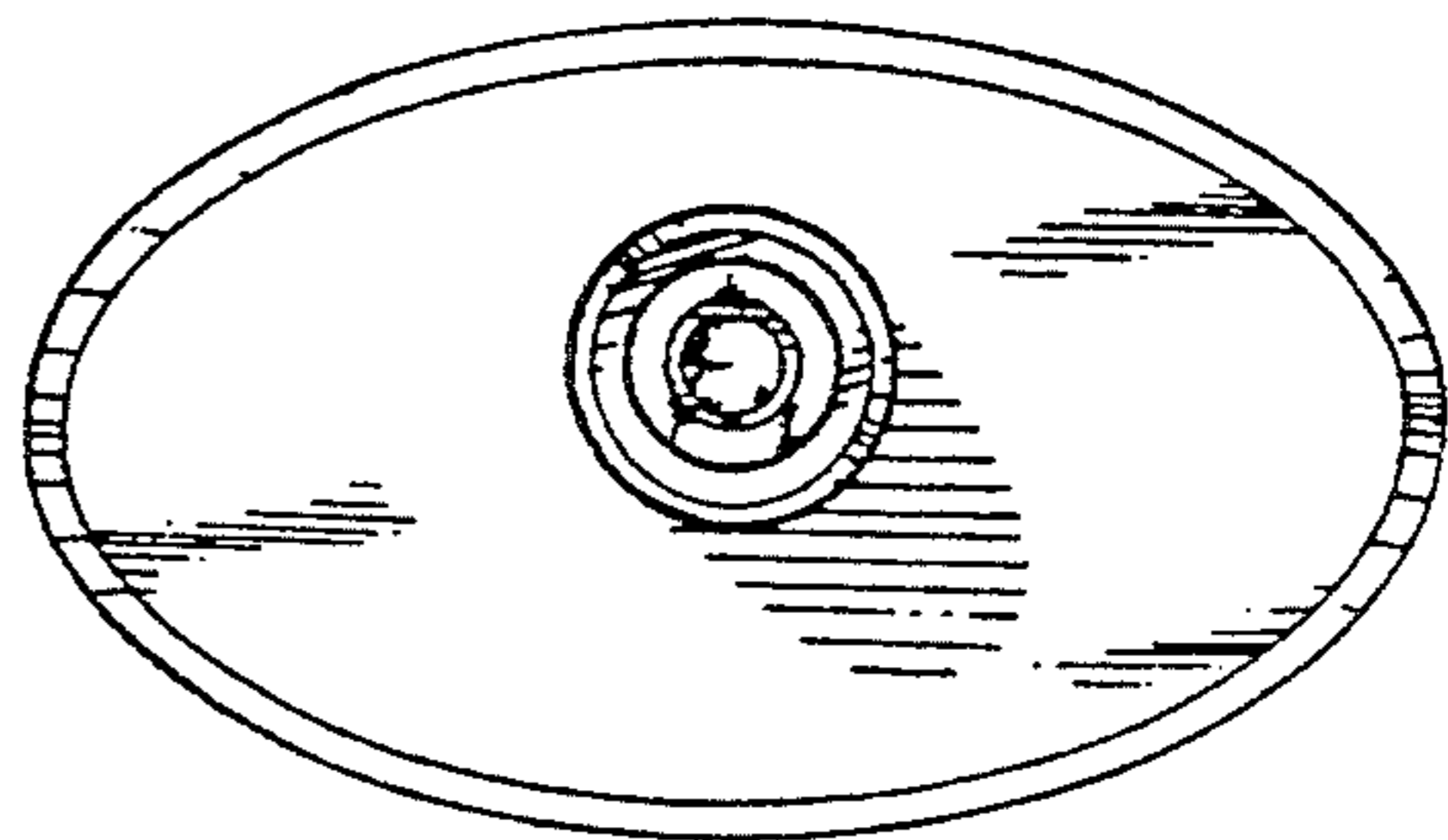


FIG. 3

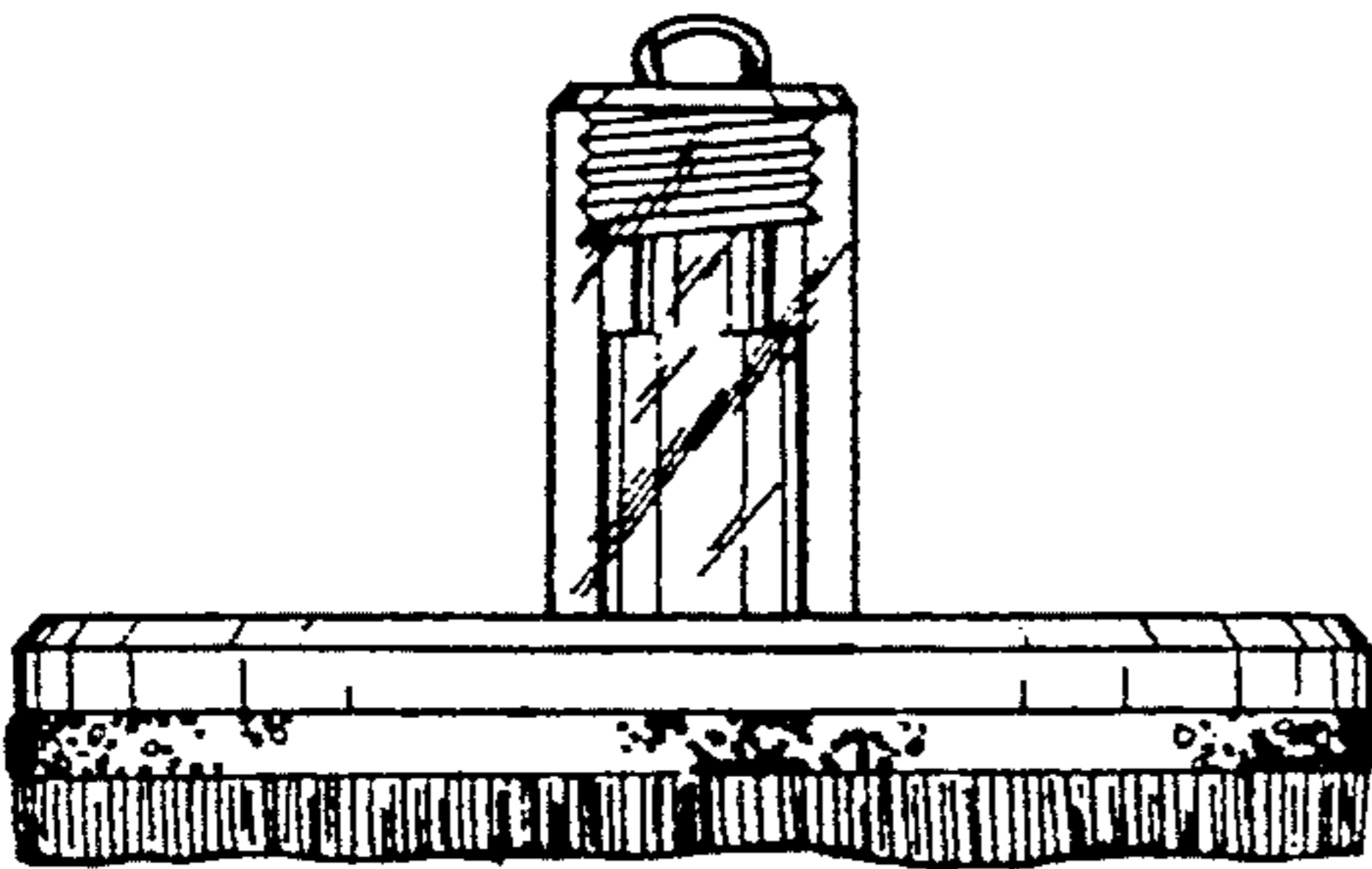


FIG. 5