



US00D358031S

# United States Patent [19]

[11] Patent Number: **Des. 358,031**

**Aumasson**

[45] Date of Patent: **\*\* May 9, 1995**

[54] **FRONT AND SIDE PANELS FOR A PIECE OF LUGGAGE**

D. 336,365 6/1993 Huang ..... D3/279  
2,472,491 6/1949 Juinton ..... D3/279 X  
3,948,365 4/1976 Gregg et al. .... 190/18 A

[75] Inventor: **Michel Aumasson**, Rueil-Malmaison, France

*Primary Examiner*—Prabhakar G. Deshmukh  
*Assistant Examiner*—Dominic Simone  
*Attorney, Agent, or Firm*—Finnegan, Henderson, Farabow, Garrett & Dunner

[73] Assignee: **Delsey (Societe Anonyme)**, Bibigny, France

[\*\*] Term: **14 Years**

### [57] CLAIM

[21] Appl. No.: **9,256**

The ornamental design for front and side panels for a piece of luggage, as shown and described.

[22] Filed: **Jun. 9, 1993**

### DESCRIPTION

#### [30] Foreign Application Priority Data

FIG. 1 is a perspective view of the front and side panels for a piece of luggage incorporating my new design in the open handle position;  
FIG. 2 is a perspective view of the luggage incorporating my new design in the closed handle position;  
FIG. 3 is front view thereof;  
FIG. 4 is left side view;  
FIG. 5 is a top plan view thereof; and,  
FIG. 6 is another perspective view thereof.  
The broken lines in FIG. 6 are for the purpose of showing environmental structure only and form no part of the claimed design.

Dec. 14, 1992 [FR] France ..... 92 7575

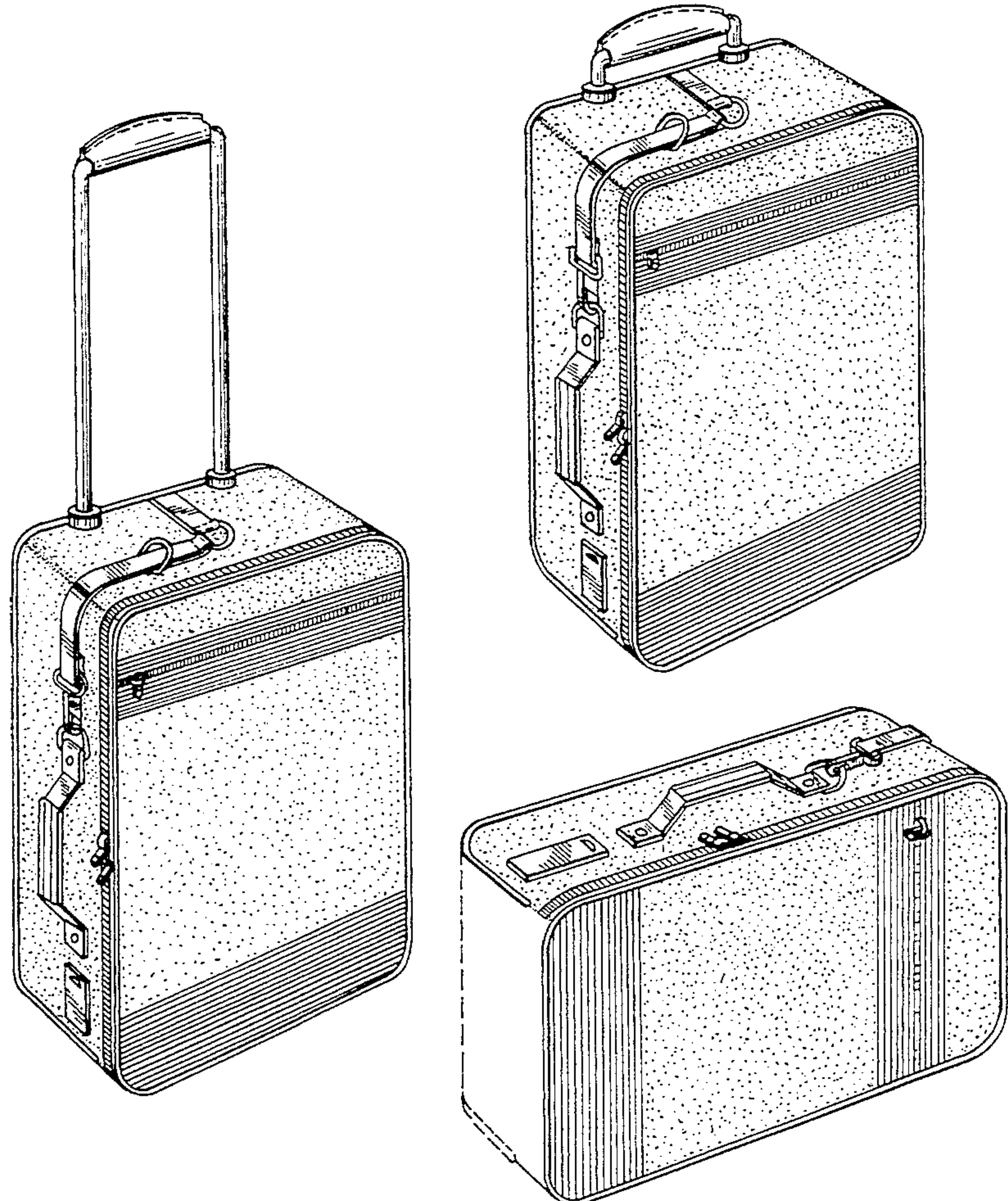
[52] U.S. Cl. .... **D3/318; D3/276**

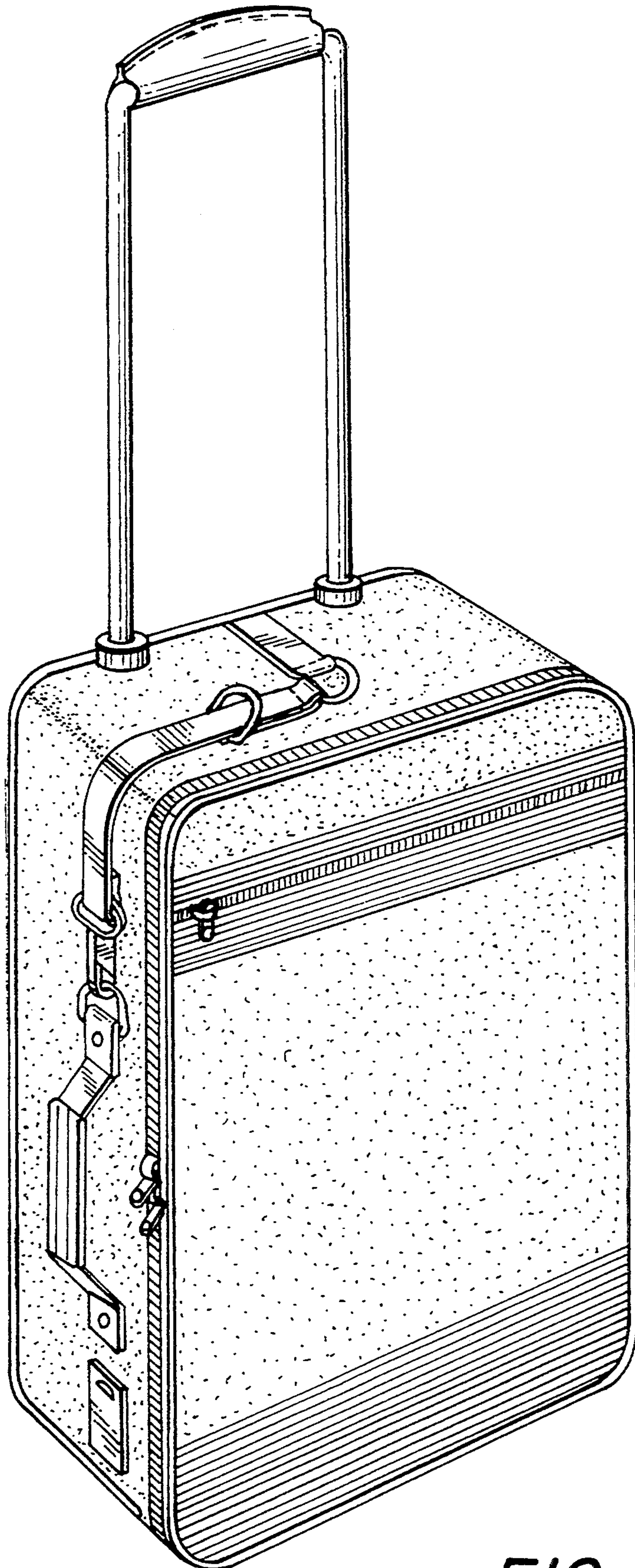
[58] Field of Search ..... D3/273, 276, 279, 291, D3/318; 190/18 R, 18 A, 100, 115, 908; 206/278, 305, 349, 557

#### [56] References Cited

##### U.S. PATENT DOCUMENTS

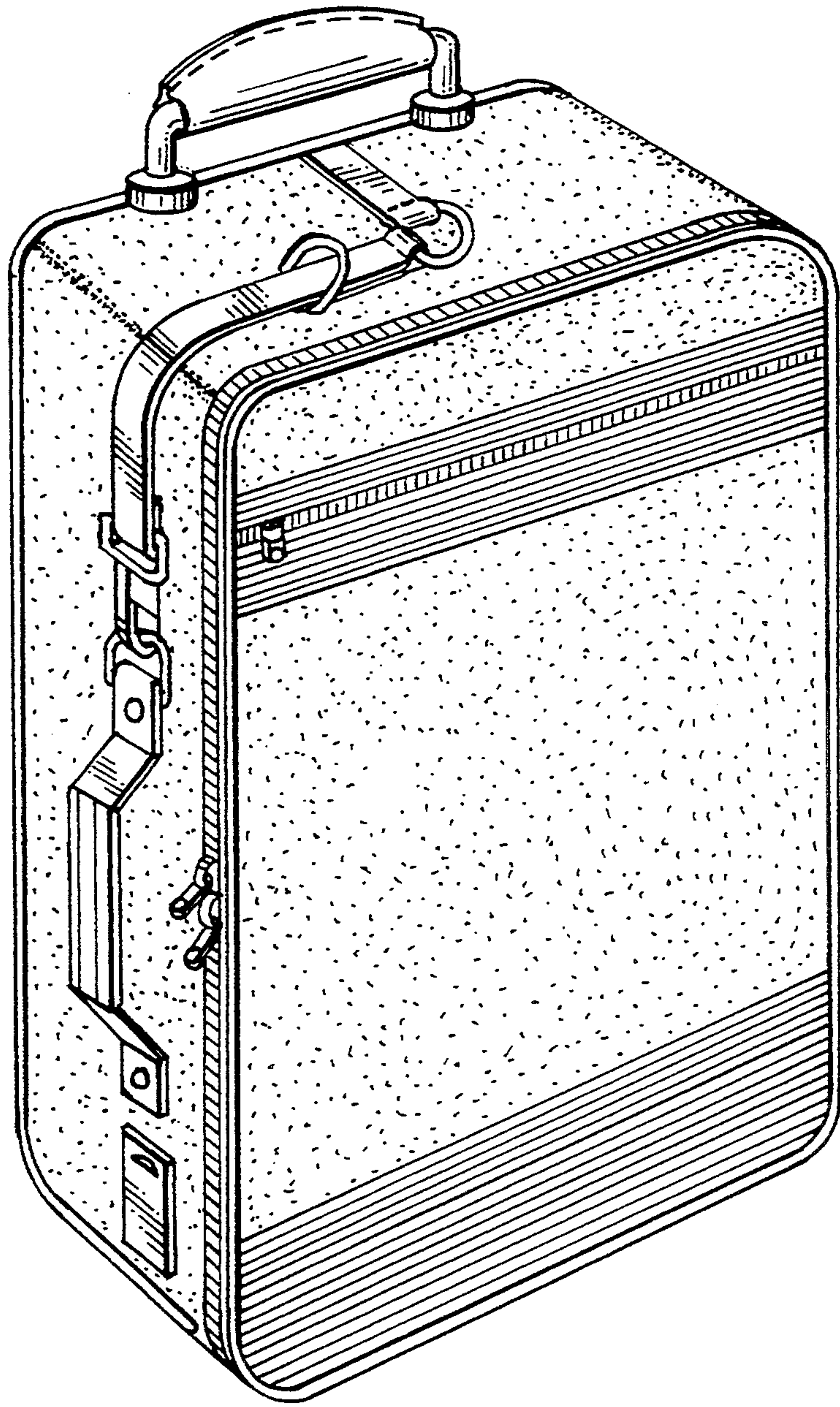
D. 327,170 6/1992 Maloney ..... D3/279  
D. 329,139 9/1992 Oltrogge ..... D3/279





*FIG. 1*





*FIG. 2*

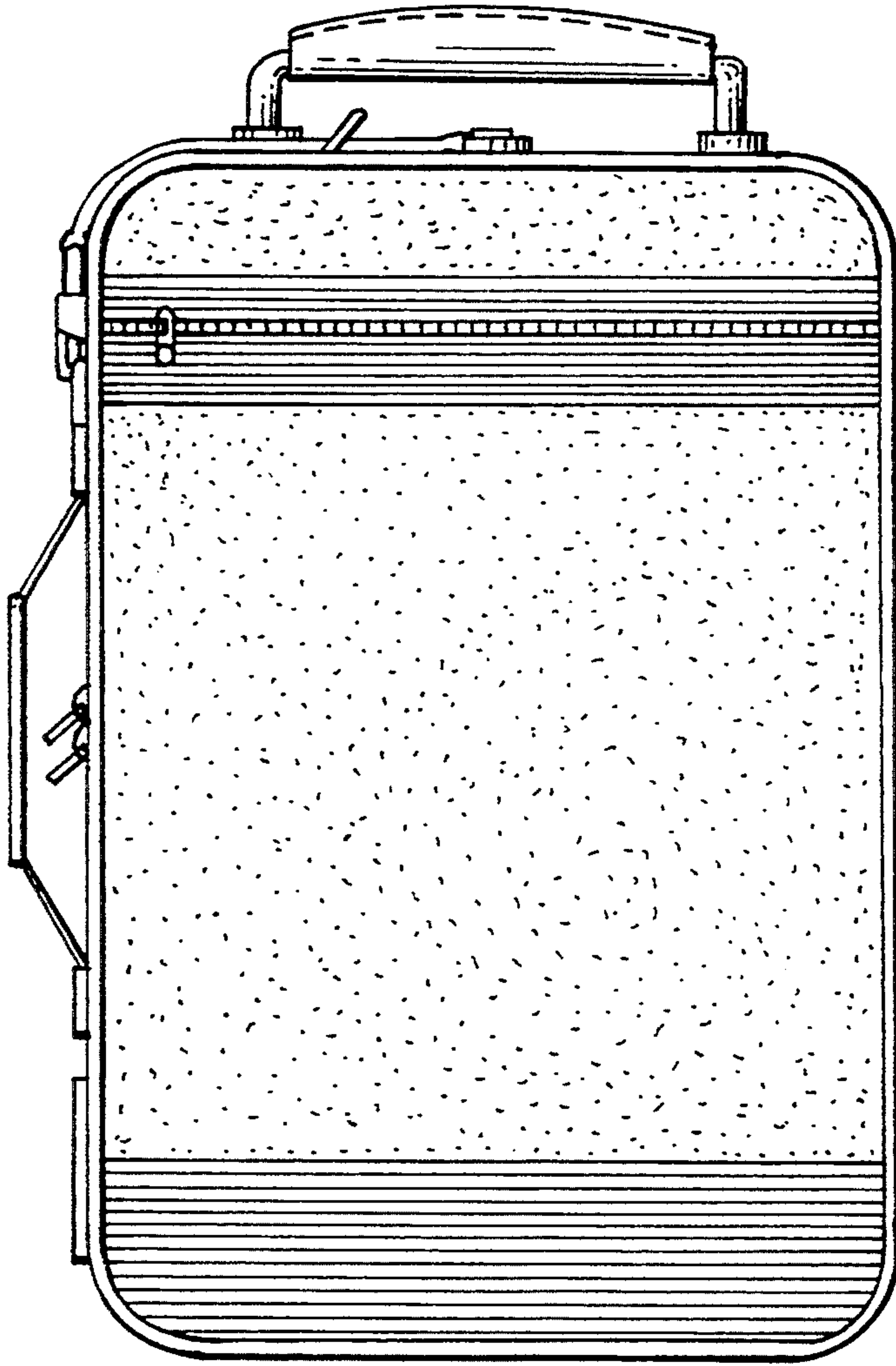


FIG. 3

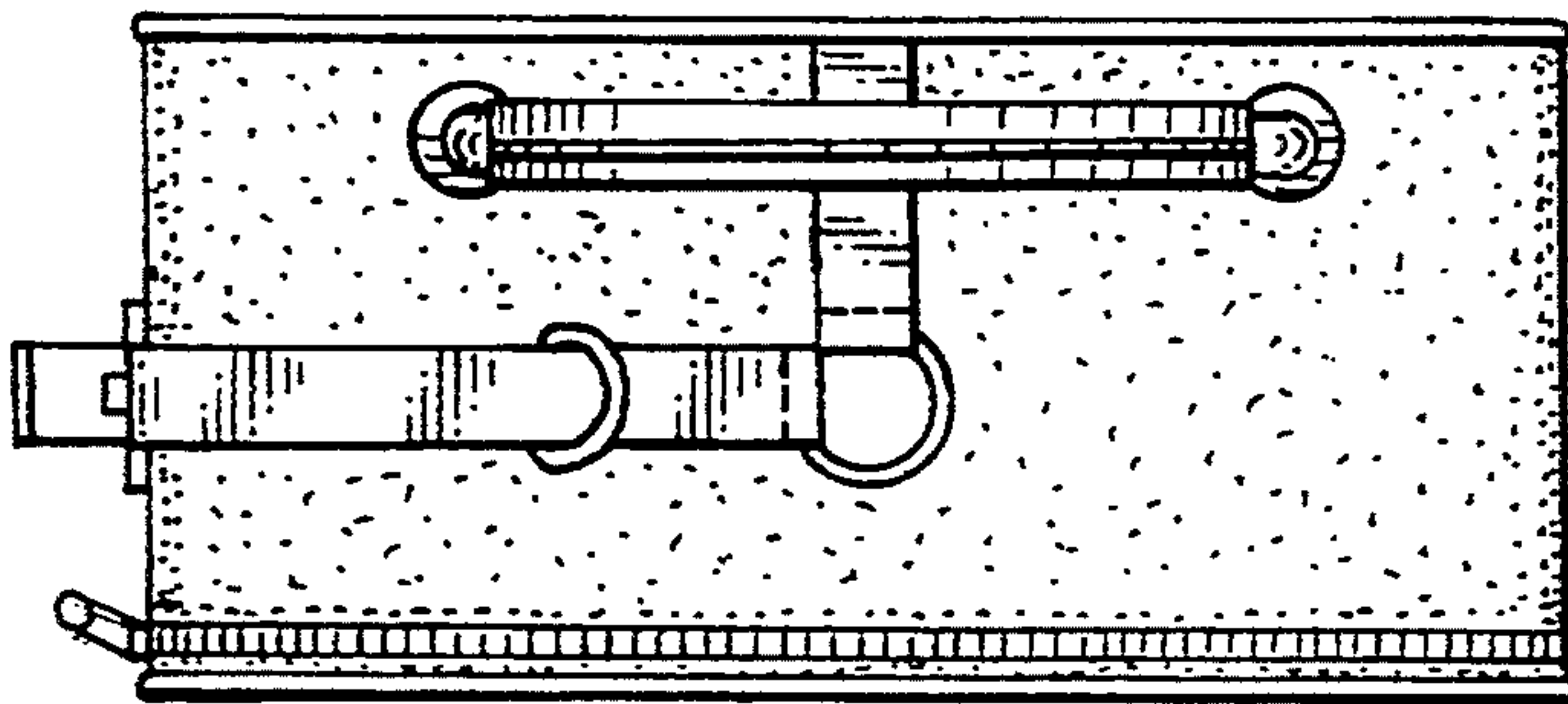


FIG. 5

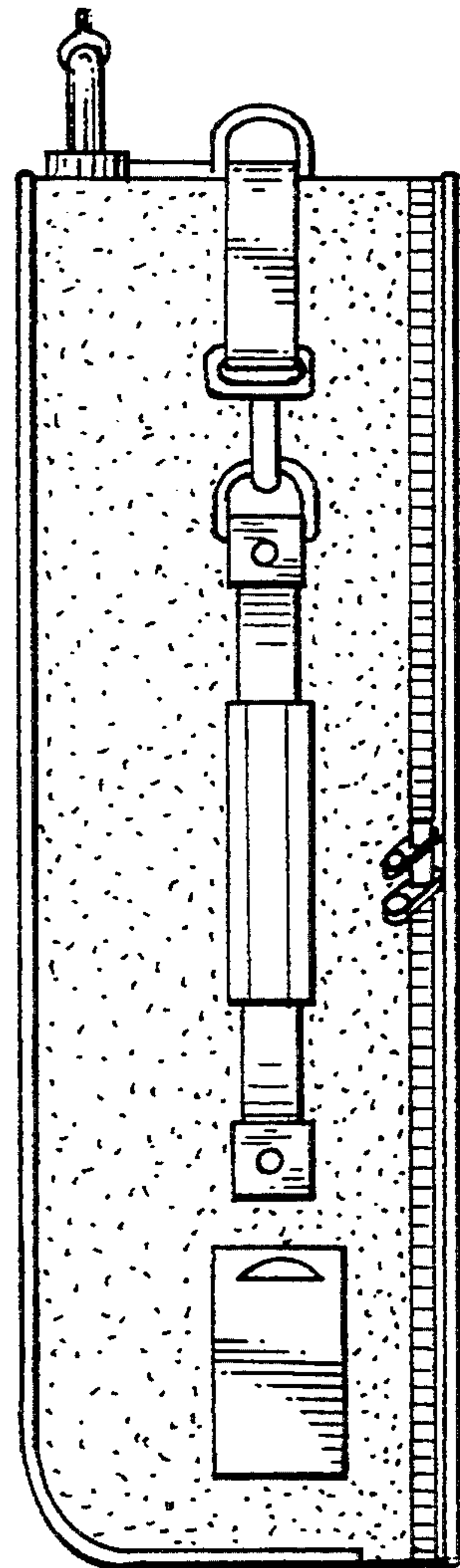
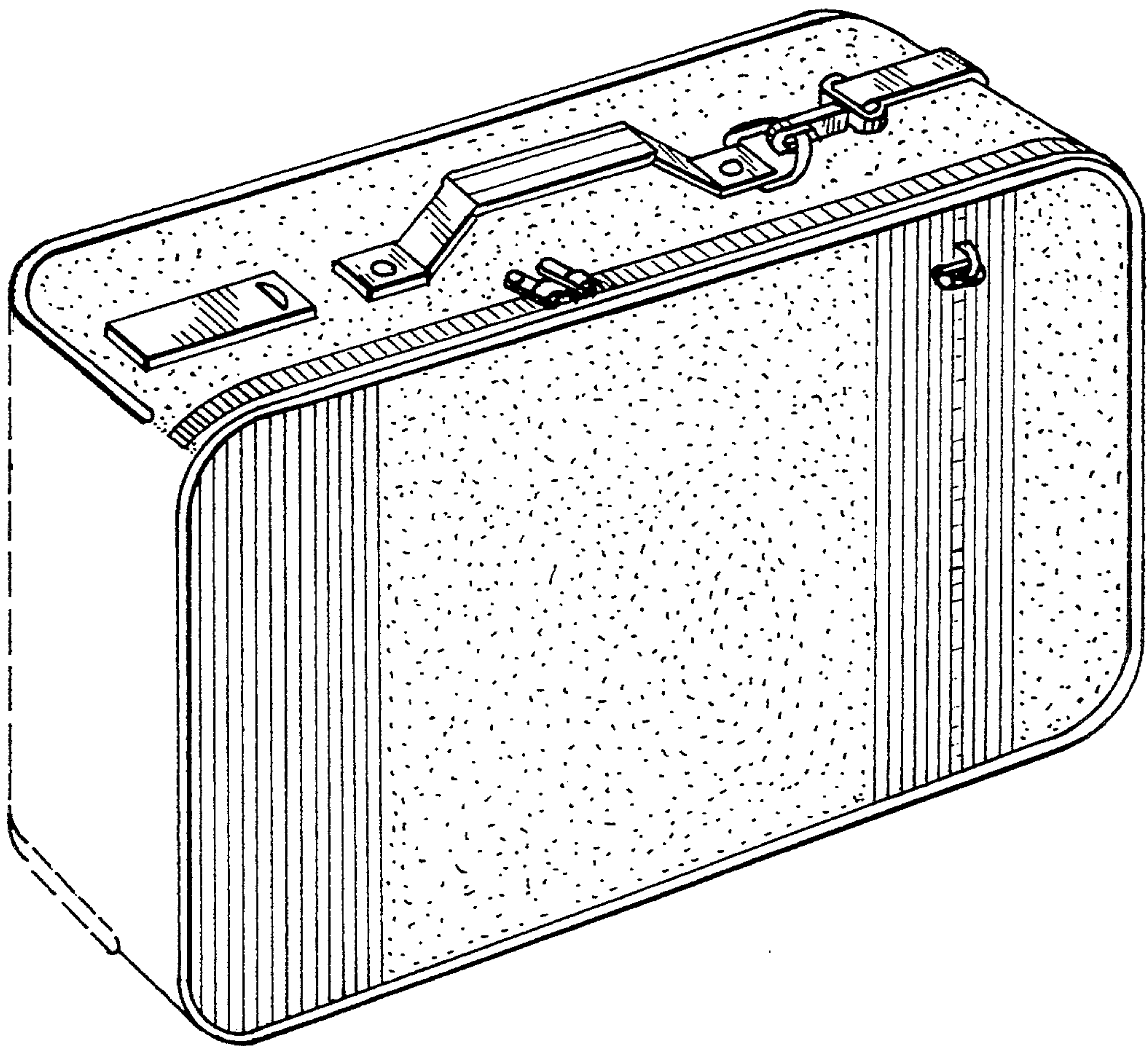


FIG. 4



*FIG. 6*