



US00D358025S

United States Patent [19]

Martin et al.

[11] Patent Number: **Des. 358,025**

[45] Date of Patent: **** May 9, 1995**

[54] **CONTACT LENS PACKAGE**

[76] Inventors: **W. Anthony Martin**, 2603 Sandlewood Ct., Orange Park, Fla. 32065; **Ture Kindt-Larsen**, Sollerodvej, 2840 Holte, Denmark; **Darren S. Keene**, 11260 Southington Pl., Jacksonville, Fla. 32257

[**] Term: **14 Years**

[21] Appl. No.: **21,666**

[22] Filed: **Apr. 21, 1994**

[52] U.S. Cl. **D3/264**

[58] Field of Search D3/201, 263, 264; D9/341, 415; D16/134, 136; 206/822, 5.1, 316.1, 205

[56] **References Cited**

U.S. PATENT DOCUMENTS

- D. 227,406 6/1973 Nathan D3/264
- D. 237,864 12/1975 Meierhoefer D9/415
- D. 256,727 9/1980 Borg et al. D9/415
- D. 276,215 11/1984 Wang D9/415

- D. 277,518 2/1985 Eggett D3/264
- D. 286,138 10/1986 Lemkin D9/341
- D. 287,105 9/1986 Osterhout D9/415
- D. 299,085 12/1988 Martinez D3/264
- D. 305,478 1/1990 Lahm et al. D3/264
- D. 329,600 9/1992 LaJoie D9/341
- 3,414,117 12/1968 Leeds 206/5.1
- 4,122,942 10/1978 Wolfson 206/5.1
- 4,691,820 9/1987 Martinez 206/205

Primary Examiner—C. A. Murphy

[57] **CLAIM**

The ornamental design for a contact lens package, as shown and described.

DESCRIPTION

FIG. 1 is a perspective view of a contact lens showing our new design;

FIG. 2 is a right side elevational view thereof, the left side being a mirror image;

FIG. 3 is a top plan view thereof;

FIG. 4 is a bottom plan view thereof;

FIG. 5 is a front elevational view thereof; and,

FIG. 6 is a rear elevational view thereof.

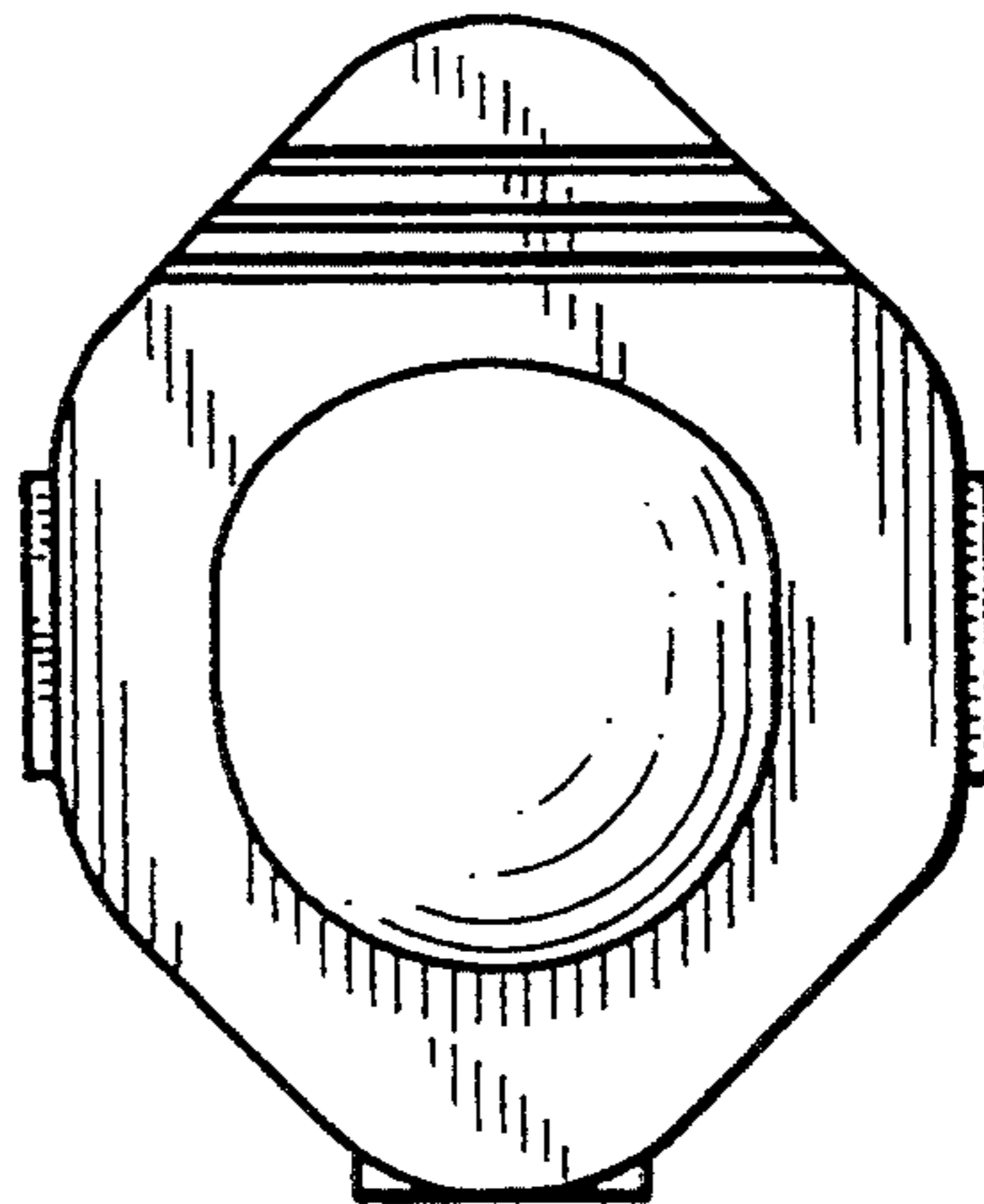
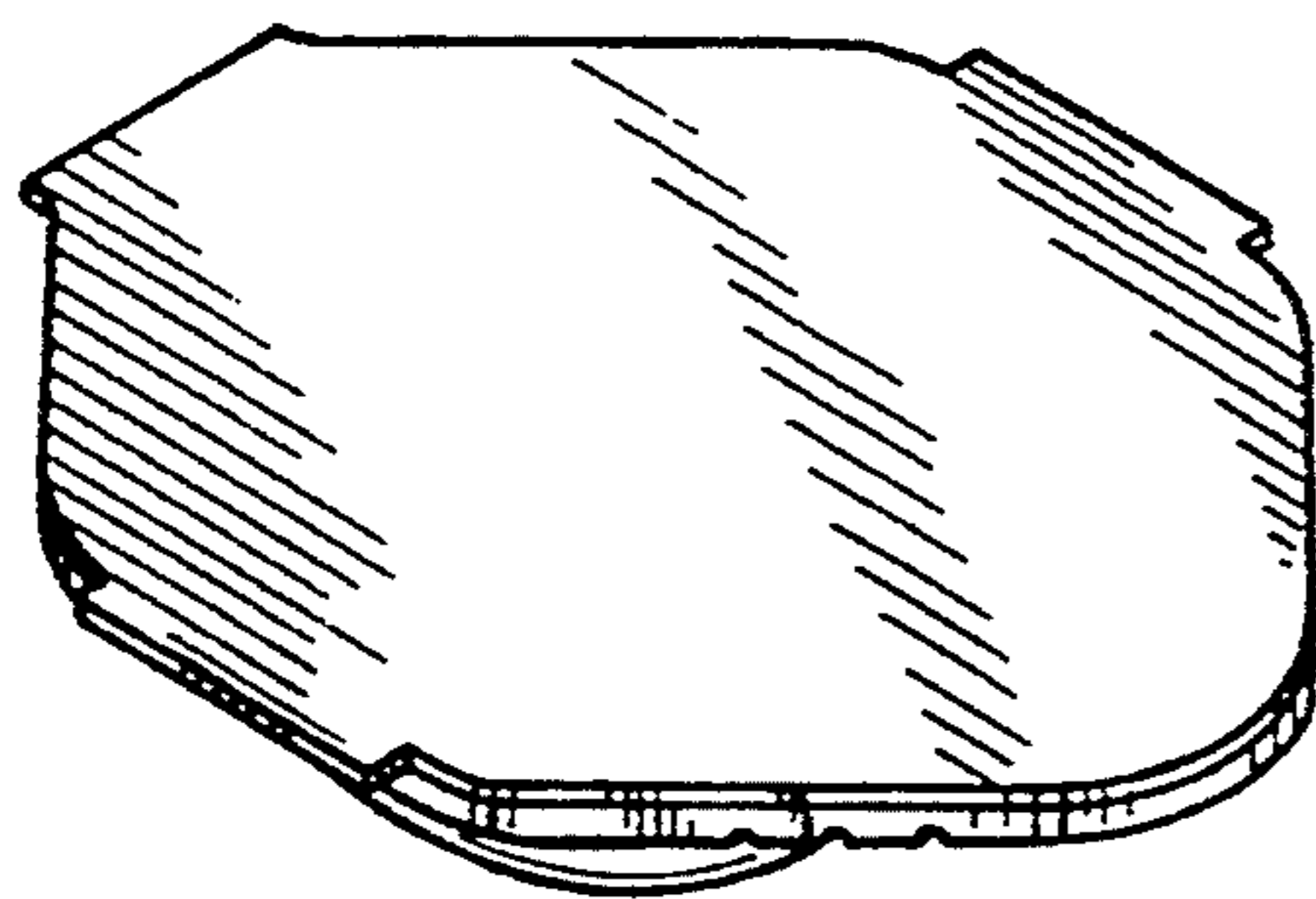


FIG-1

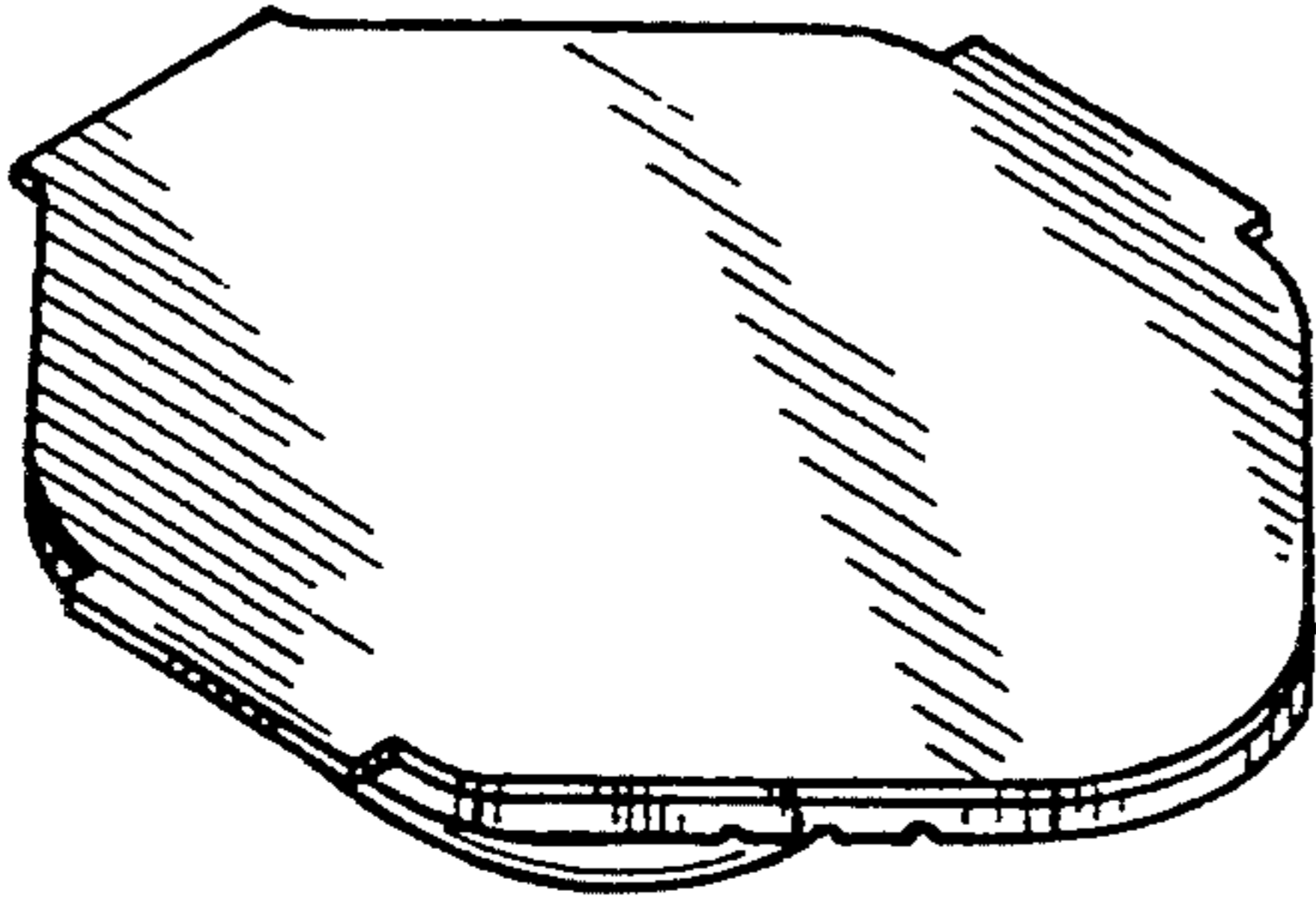


FIG-2



FIG-3

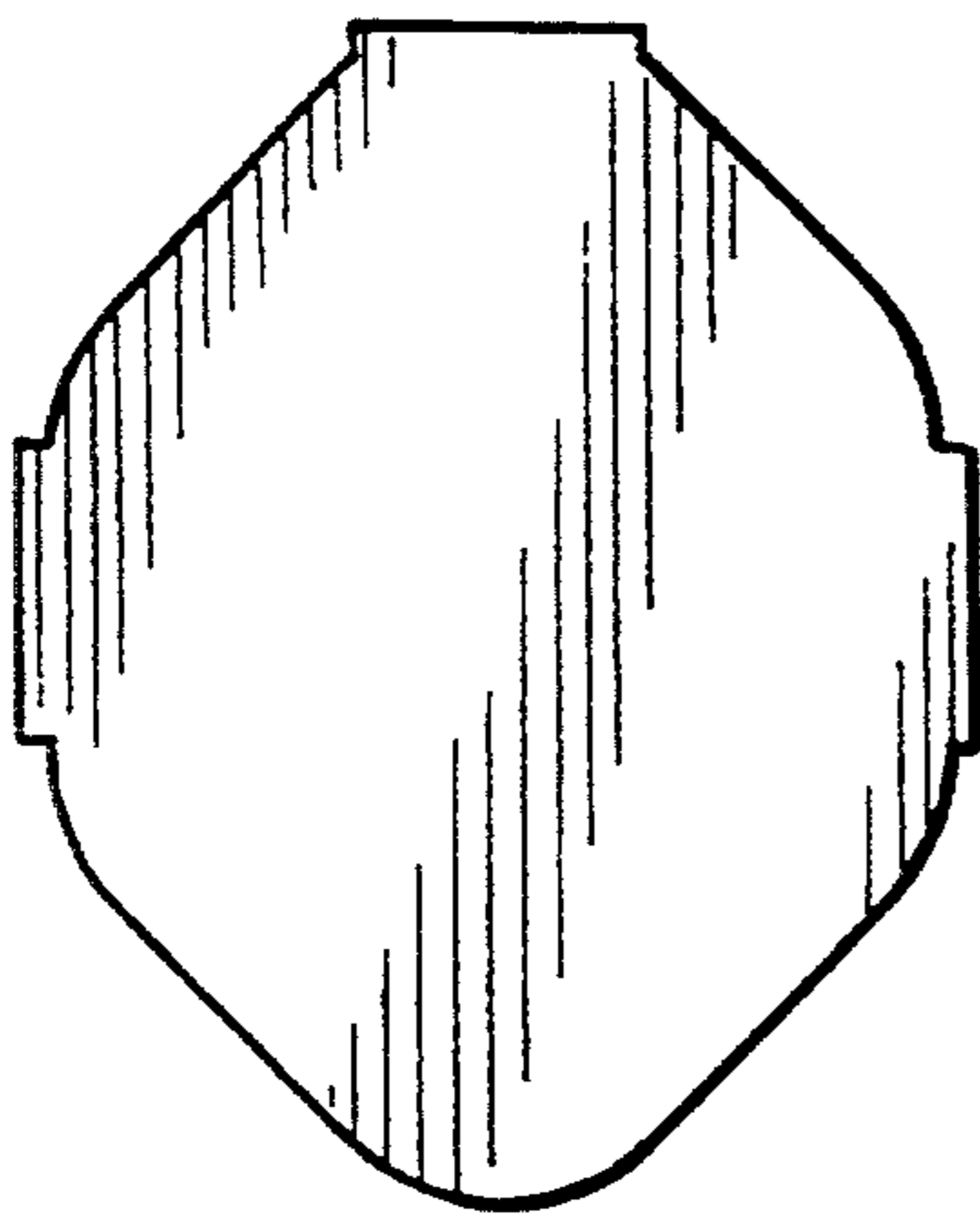


FIG-4

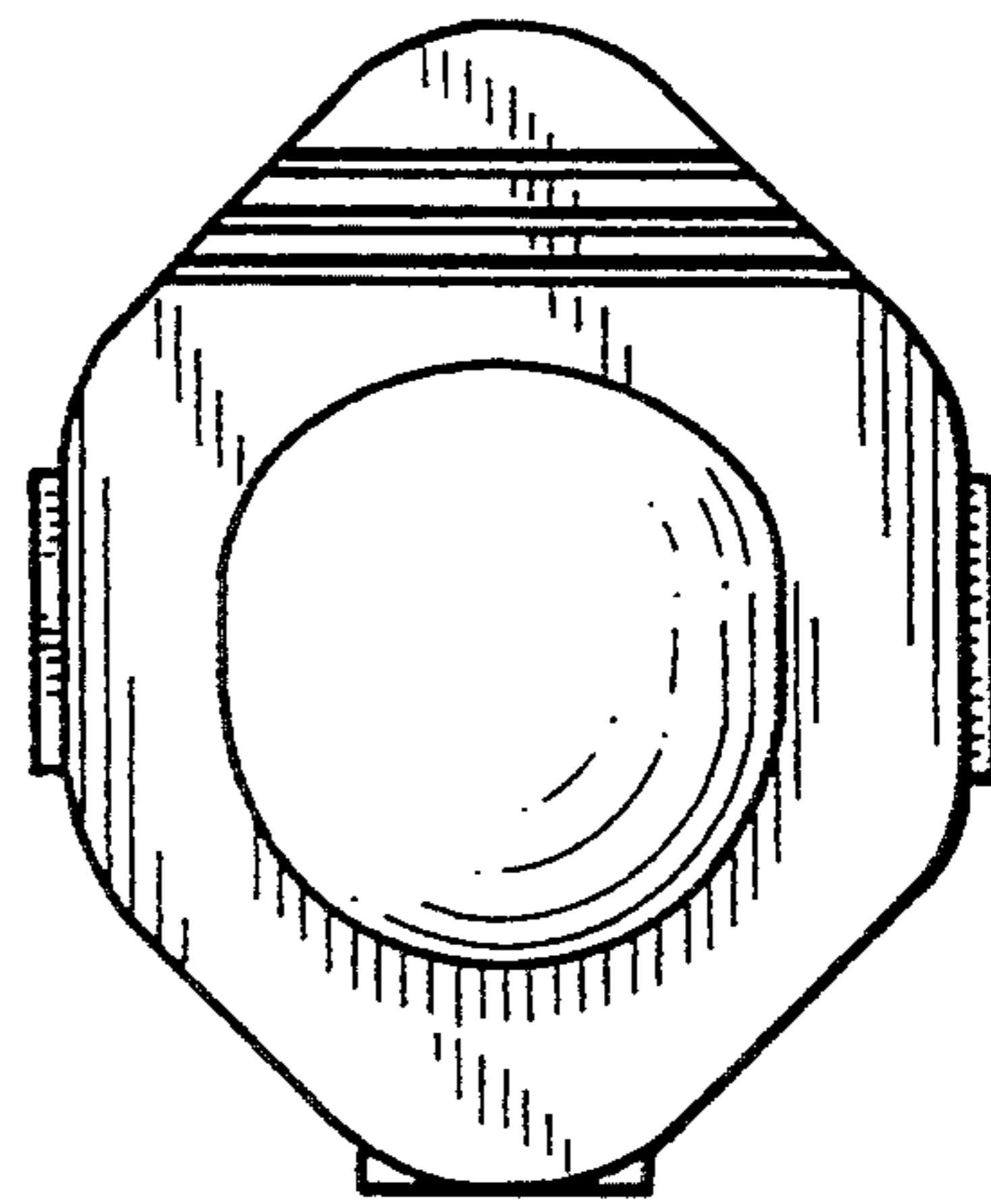


FIG-5



FIG-6

