



US00D358024S

United States Patent [19]

[11] Patent Number: **Des. 358,024**

Wilson

[45] Date of Patent: **** May 9, 1995**

[54] CONVERTIBLE TOTE BAG

4,197,891 4/1980 Comollo 150/12

[76] Inventor: **Mary E. Wilson**, 33 Baker Pl., Arden, N.C. 28704

Primary Examiner—Louis S. Zarfaz
Attorney, Agent, or Firm—Carter & Schnedler

[**] Term: **14 Years**

[57] **CLAIM**

[21] Appl. No.: **12,819**

The ornamental design for a convertible tote bag, as shown.

[22] Filed: **Sep. 10, 1993**

[52] U.S. Cl. **D3/233; D3/243; D3/266**

DESCRIPTION

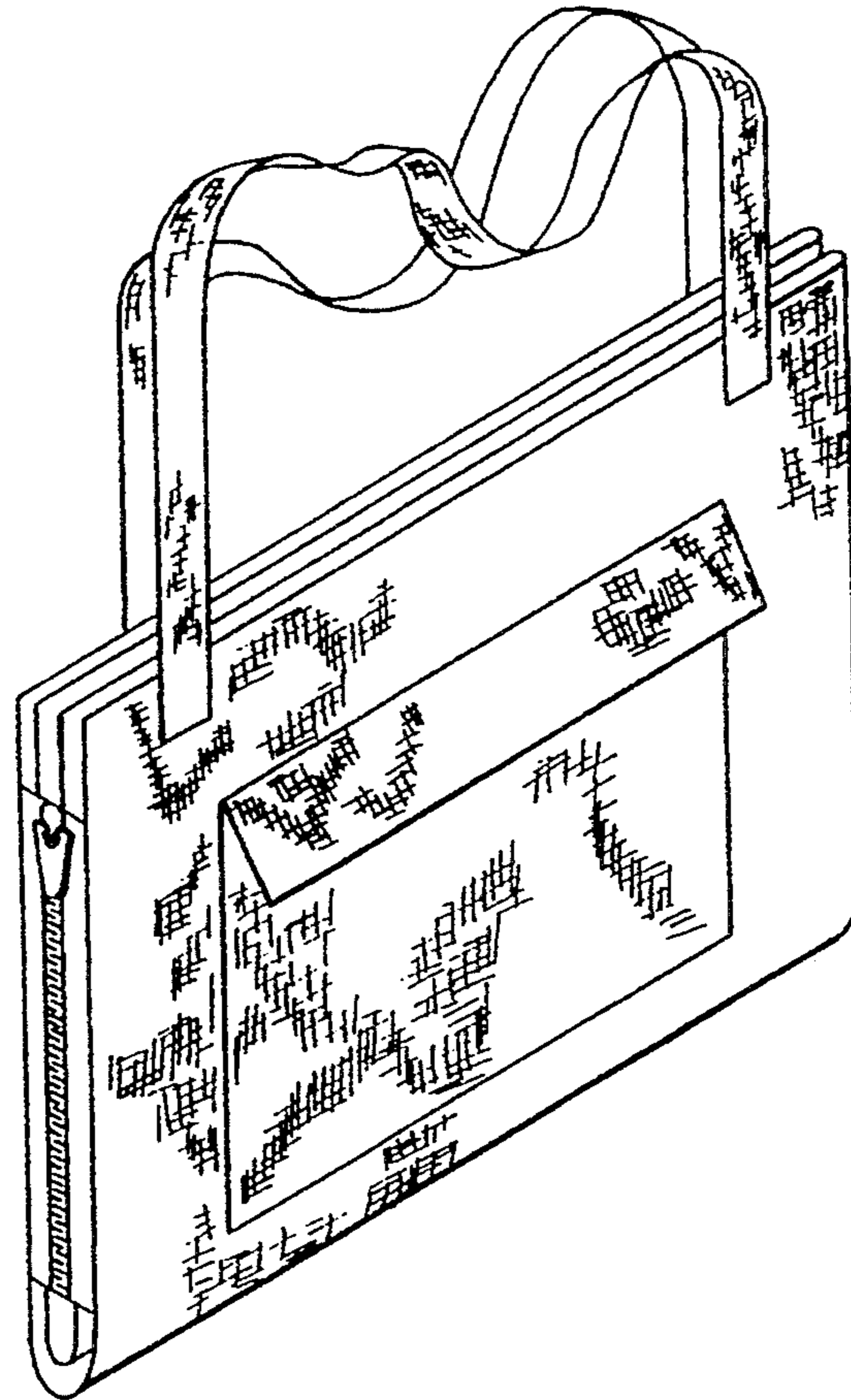
[58] Field of Search **D3/201, 243, 233, 303, D3/245, 246; 150/100, 112, 103-107, 118; 383/4, 907**

FIG. 1 is a front perspective view of a convertible tote bag showing my new design;
FIG. 2 is a rear elevational view thereof;
FIG. 3 is a left side elevational view thereof;
FIG. 4 is a right side elevational view thereof;
FIG. 5 is a top view thereof;
FIG. 6 is a top plan view showing the convertible tote bag opened; and,
FIG. 7 is a bottom plan view also showing the convertible tote bag opened.

[56] **References Cited**

U.S. PATENT DOCUMENTS

- D. 300,784 4/1989 Powers et al. D3/233
- D. 336,986 7/1993 Seymour D3/233
- 2,532,778 12/1950 Mintzes D3/303 X



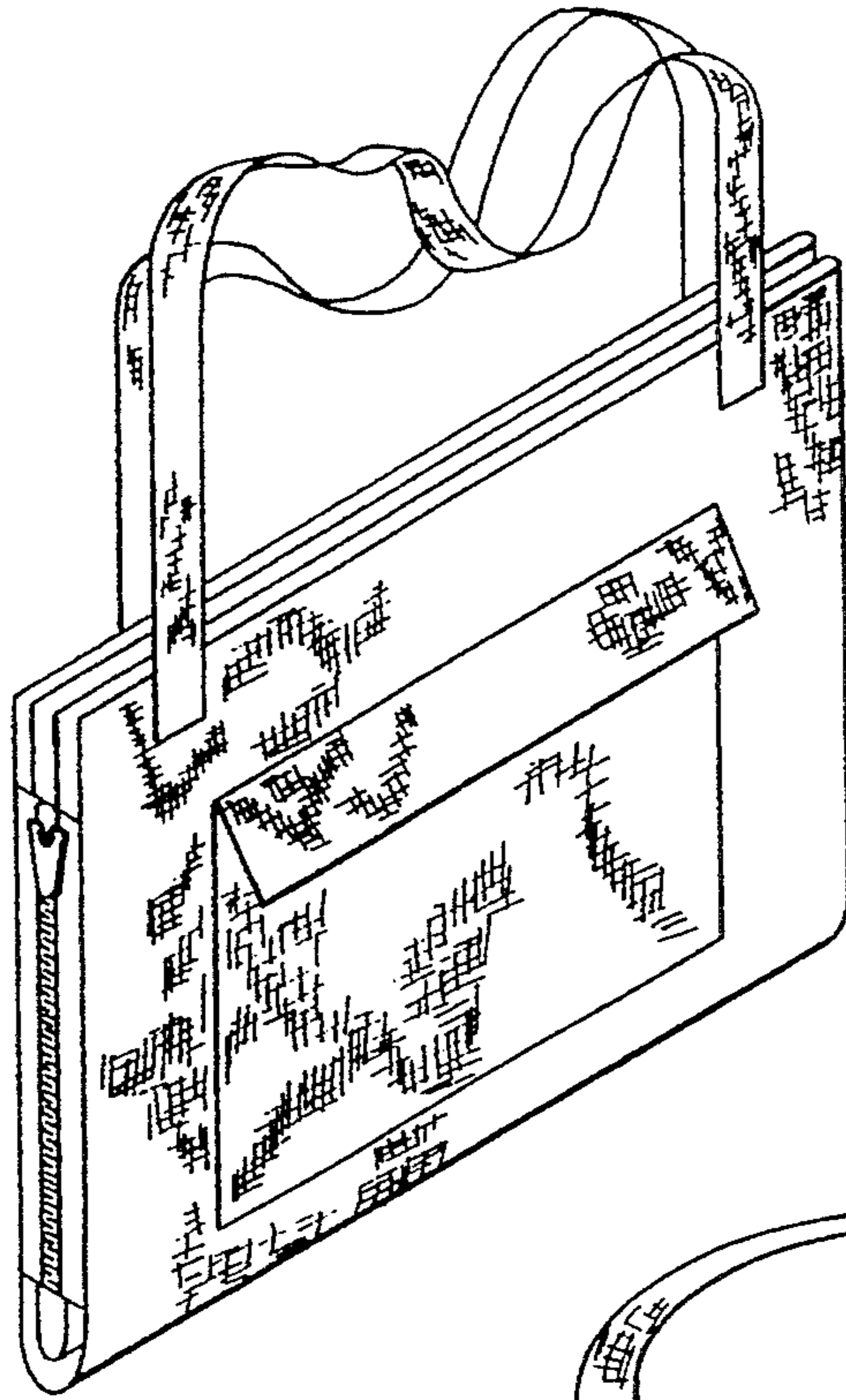


FIG - 1

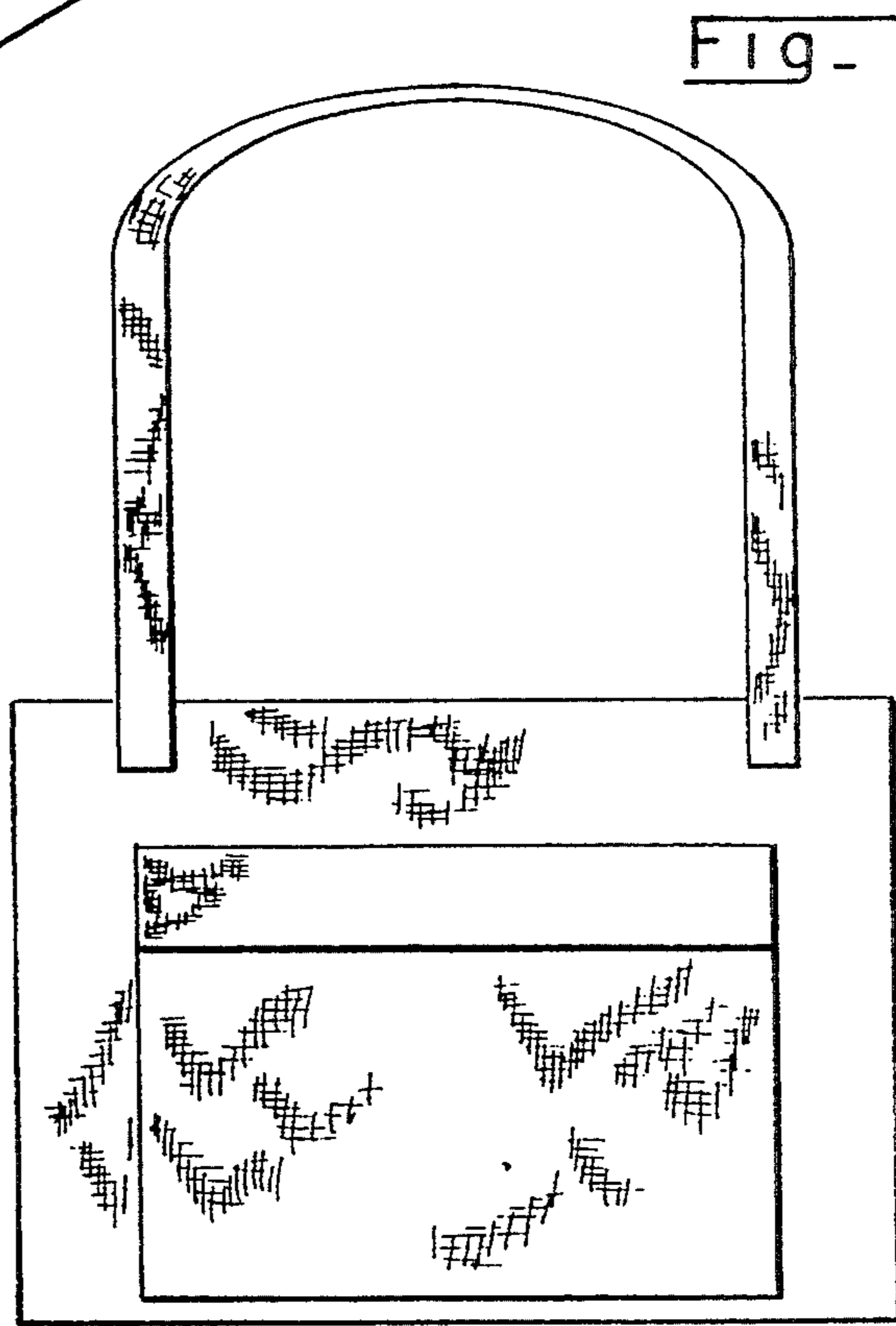


FIG - 2

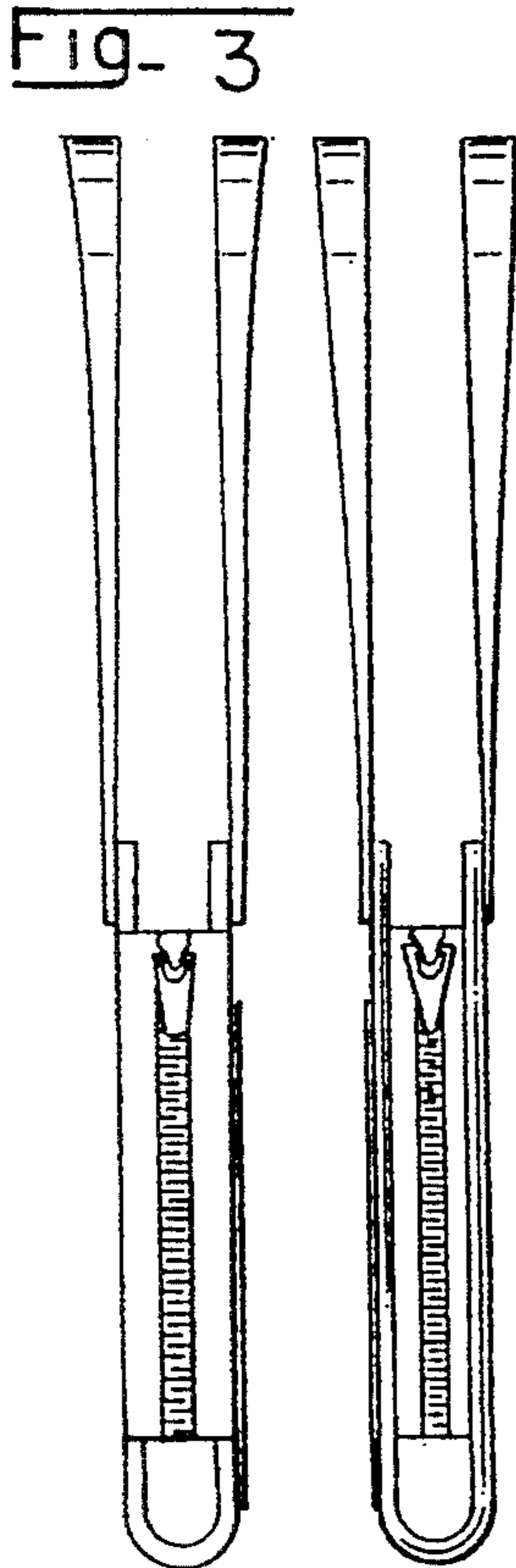


Fig- 3

FIG - 4

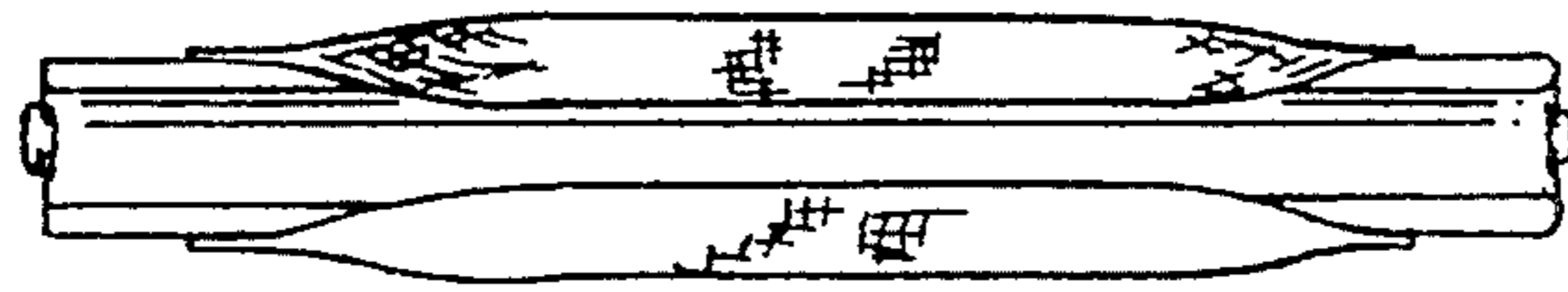


FIG - 5

FIG - 6

