



US00D358014S

# United States Patent [19]

[11] Patent Number: **Des. 358,014**

Weigl

[45] Date of Patent: **\*\* May 2, 1995**

[54] **ADJUSTABLE LOCK BOX**  
[76] Inventor: **Adolf Weigl, Zeilweg 15, 83134 Prutting, Germany**

4,542,848 9/1985 Peters ..... 109/64  
4,987,836 1/1991 Owen ..... 109/52  
5,315,849 5/1994 Georgopoulos ..... 70/63  
5,344,010 9/1994 Dyer et al. .... 70/63

[\*\*] Term: **14 Years**

*Primary Examiner*—Alan P. Douglas  
*Assistant Examiner*—Jeffry H. Musgrove  
*Attorney, Agent, or Firm*—Walter C. Farley

[21] Appl. No.: **20,074**

[22] Filed: **Mar. 17, 1994**

### [57] CLAIM

### [30] Foreign Application Priority Data

The ornamental design for an adjustable lock box, as shown and described.

Oct. 22, 1993 [XH] Hague Agreement ..... DM/027,657

[52] U.S. Cl. .... **D99/28**

### DESCRIPTION

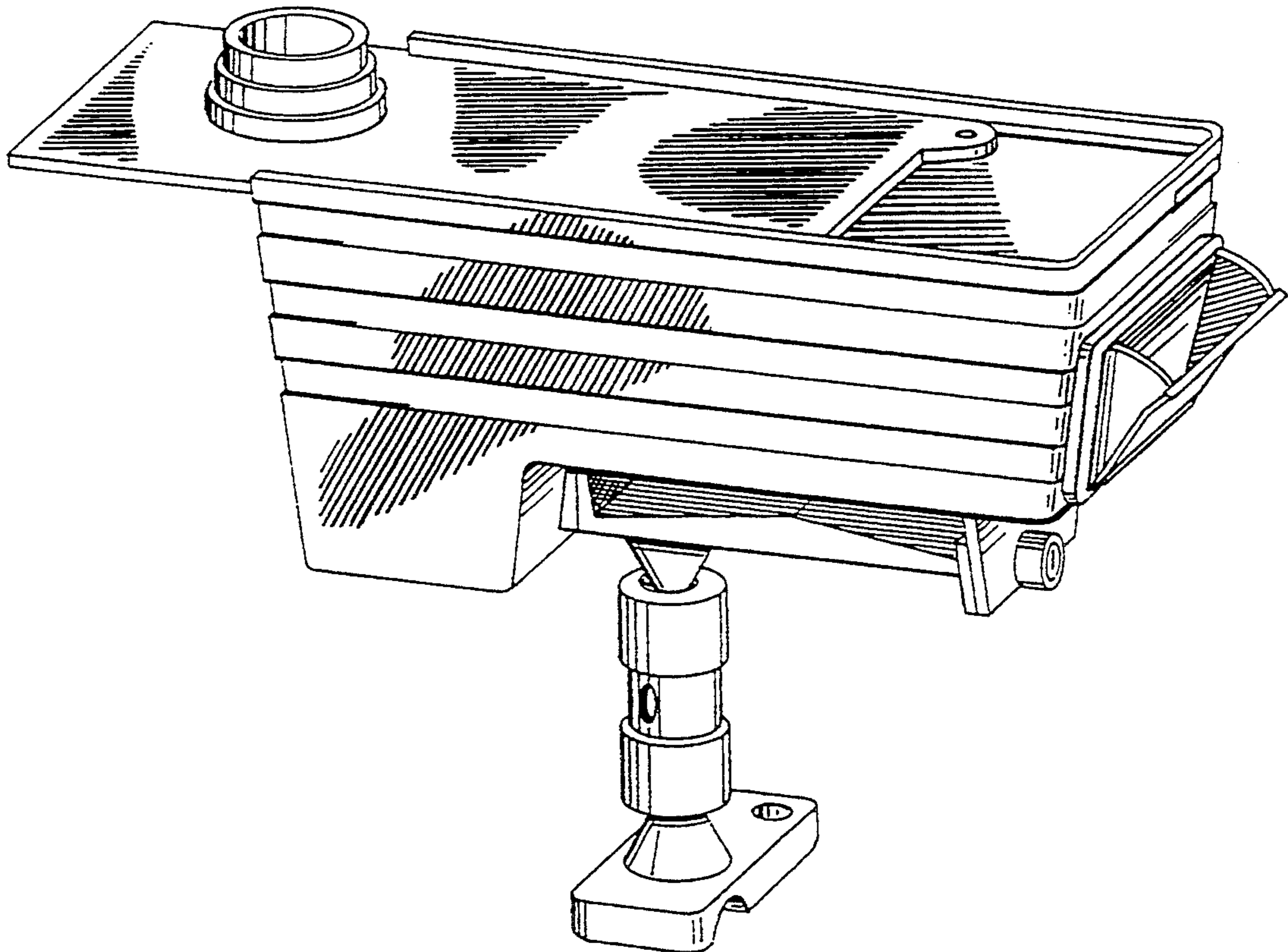
[58] Field of Search ..... D99/28, 43, 99; D9/426, D9/424, 420; 206/444, 425; 70/63; 109/45, 64, 52

FIG. 1 is a perspective view of an adjustable lock box in accordance with my design showing the front and top thereof with the top in a partially open position; FIG. 2 is a rear elevation of the lock box of FIG. 1; FIG. 3 is a bottom plan view of the lock box of FIGS. 1 and 2; FIG. 4 is a right end elevation of the lock box of FIGS. 1-3; and, FIG. 5 is a left end elevation of the lock box of FIGS. 1-4.

### [56] References Cited

#### U.S. PATENT DOCUMENTS

D. 275,055 8/1984 Davis ..... D99/28  
D. 304,124 10/1989 Charet et al. .... D99/28  
D. 308,276 5/1990 Appelbaum ..... D99/28  
D. 310,304 9/1990 Carmichael ..... D99/28



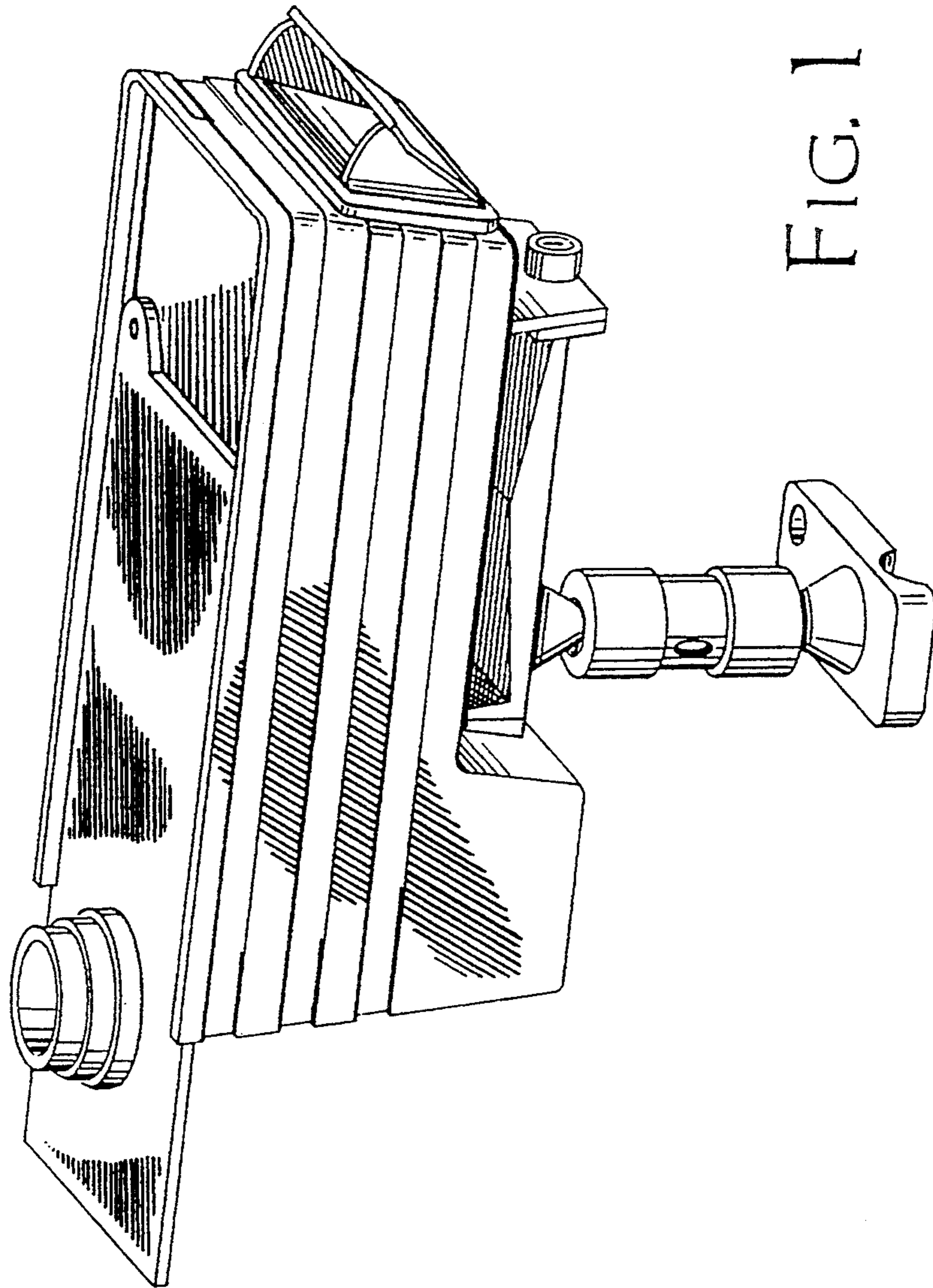


FIG. 1

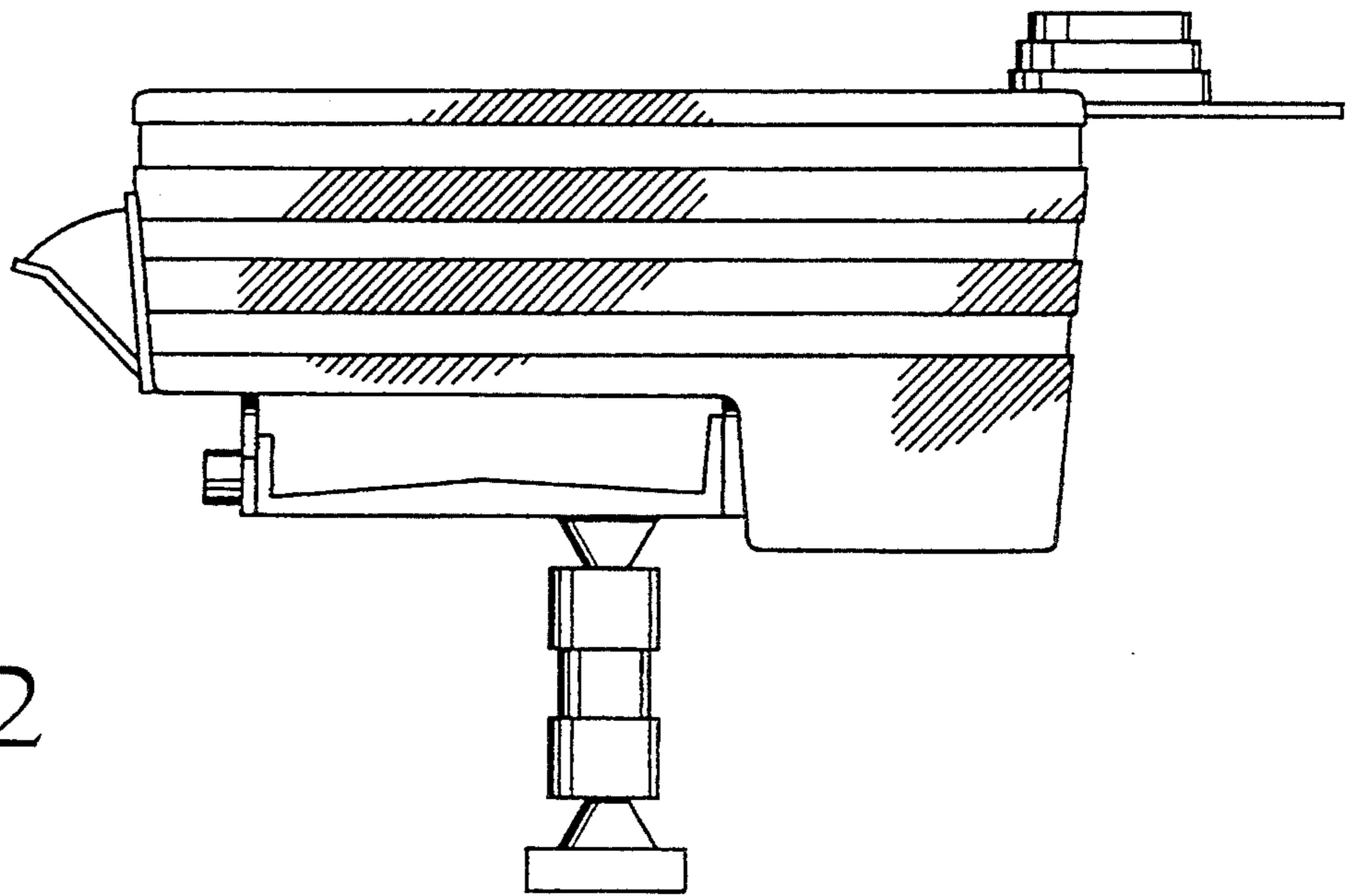
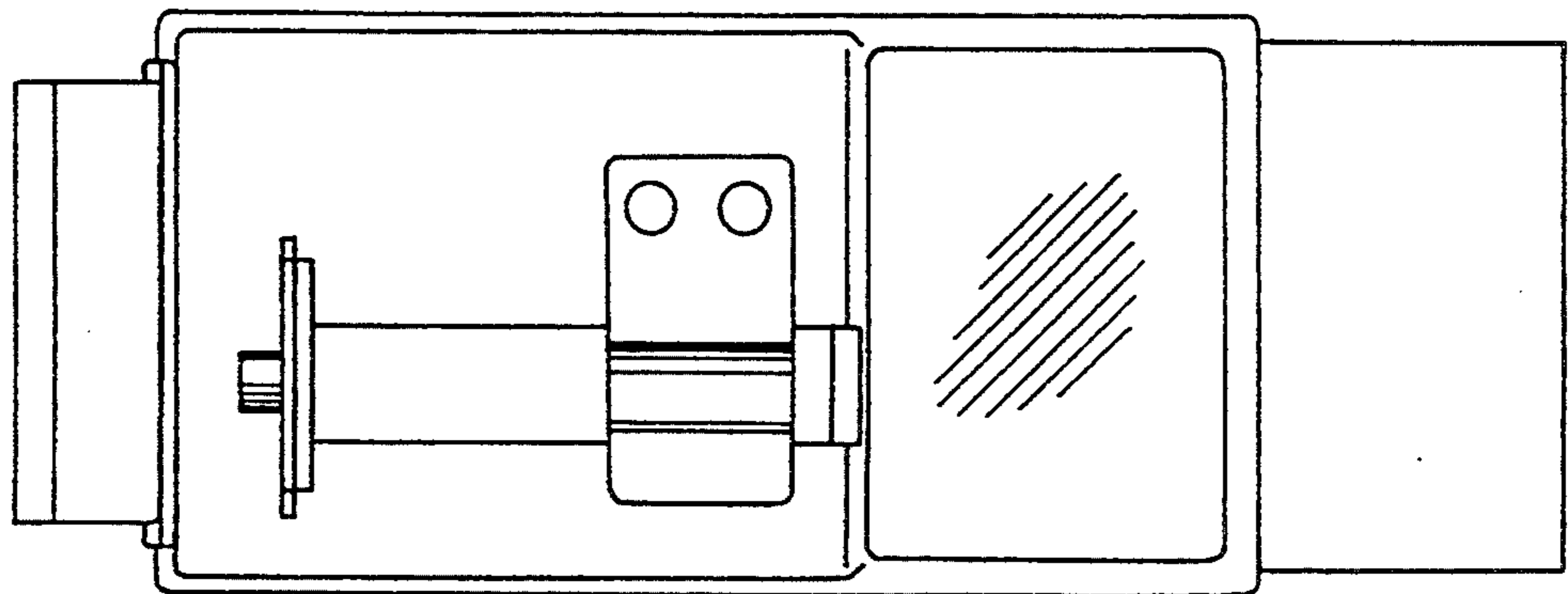


FIG. 2

FIG. 3



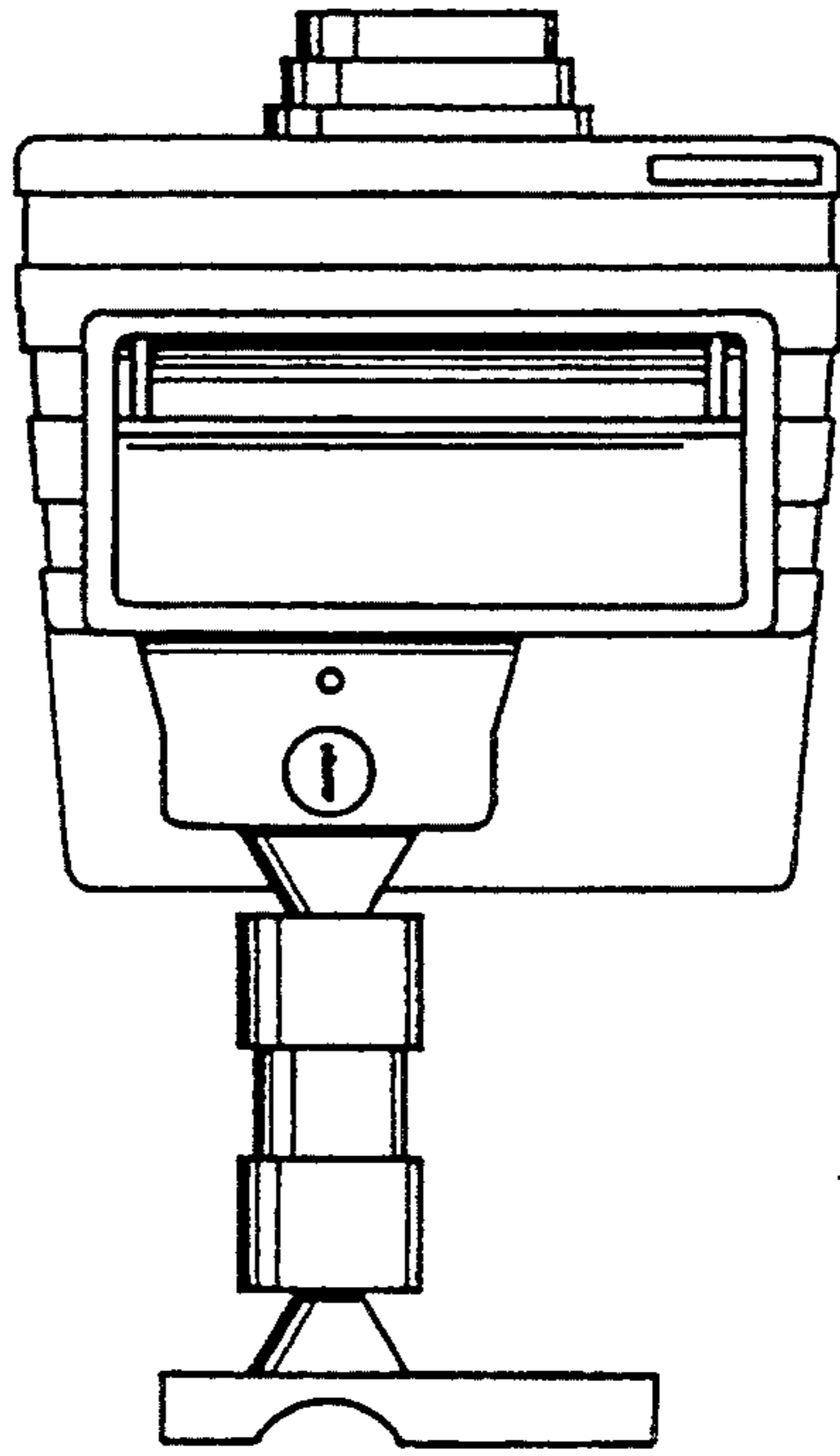


FIG. 4

FIG. 5

