



US00D358013S

United States Patent [19]

[11] Patent Number: **Des. 358,013**

Heiler

[45] Date of Patent: **** May 2, 1995**

[54] **FORK LIFT TRUCK**

Attorney, Agent, or Firm—Evenson, McKeown, Edwards & Lenahan

[75] Inventor: **Roland Heiler**, Tiefenbronn, Germany

[57] CLAIM

[73] Assignee: **Dr. Ing. h.c.F. Porsche AG**, Germany

The ornamental design for a fork lift truck, as shown and described.

[**] Term: **14 Years**

DESCRIPTION

[21] Appl. No.: **23,412**

FIG. 1 is a right side view of a fork lift truck according to my novel design;

[22] Filed: **May 24, 1994**

FIG. 2 is a left side view of a fork lift truck according to my novel design;

[30] Foreign Application Priority Data

Nov. 29, 1993 [DE] Germany M 93 09 270.9

FIG. 3 is a rear view of a fork lift truck according to my novel design;

[52] U.S. Cl. **D34/34; D34/28**

FIG. 4 is a front view of a fork lift truck according to my novel design;

[58] Field of Search **D34/28, 34, 37; 414/529, 572, 785, 607; 180/89.12, 89.17, 89.14**

FIG. 5 is a left-front perspective view of a fork lift truck according to my novel design;

[56] References Cited

U.S. PATENT DOCUMENTS

D. 152,180	12/1948	Wagner	D34/34
D. 234,050	1/1975	Crawford et al.	D34/34
D. 264,201	5/1982	Brown et al.	D34/34
D. 327,356	6/1992	Laatsch	D34/34
4,221,274	9/1980	Martin	180/89.14

FIG. 6 is a right-front perspective view of a fork lift truck according to my novel design;

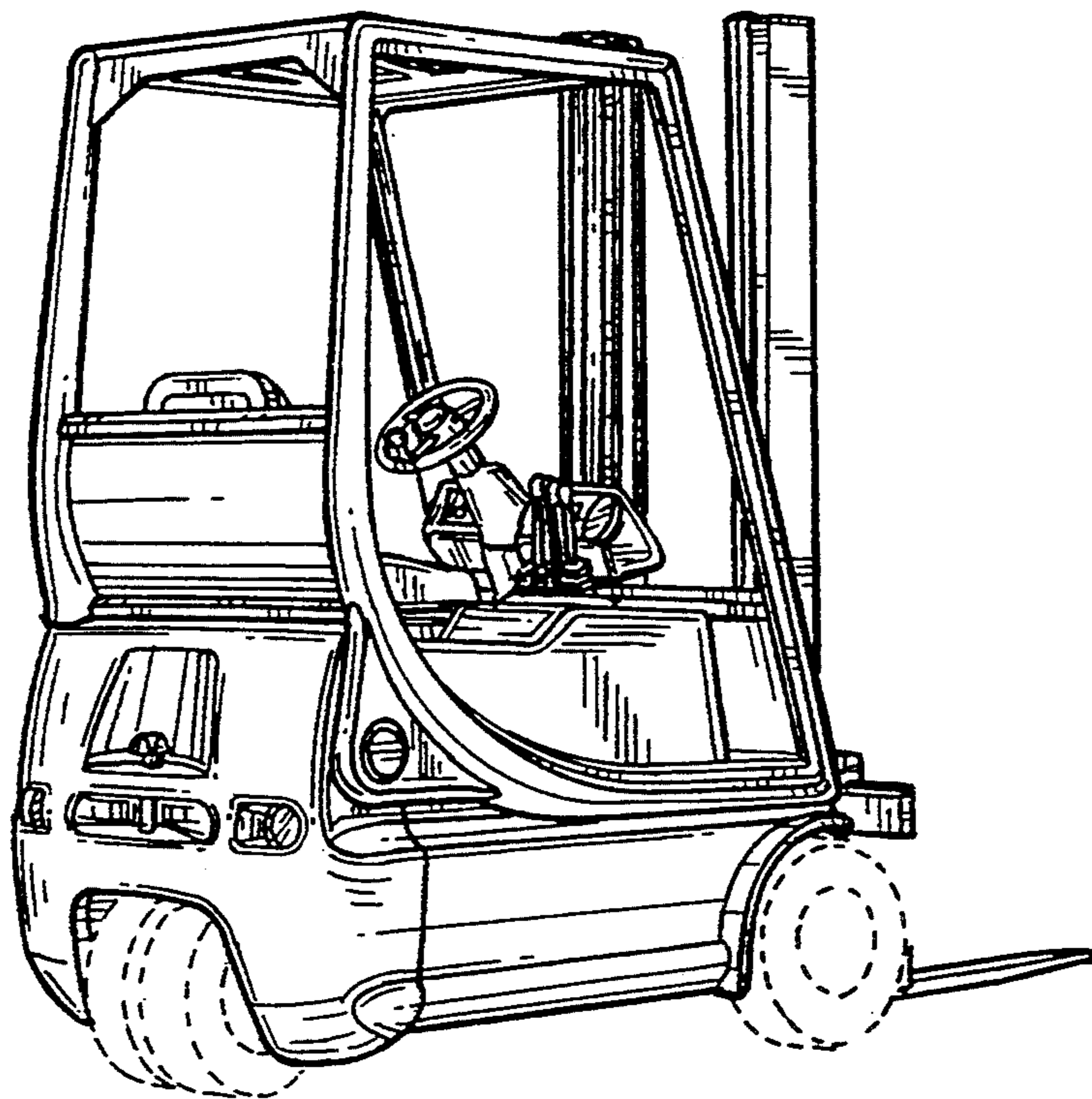
FIG. 7 is a right-rear perspective view of a fork lift truck according to my novel design;

FIG. 8 is a left-rear perspective view of a fork lift truck according to my novel design; and,

FIG. 9 is a top view of a fork lift truck according to my novel design.

Primary Examiner—James M. Gandy
Assistant Examiner—Robin V. Taylor

The broken line showing of wheels is for illustrative purposes only and forms no part of the claimed design.



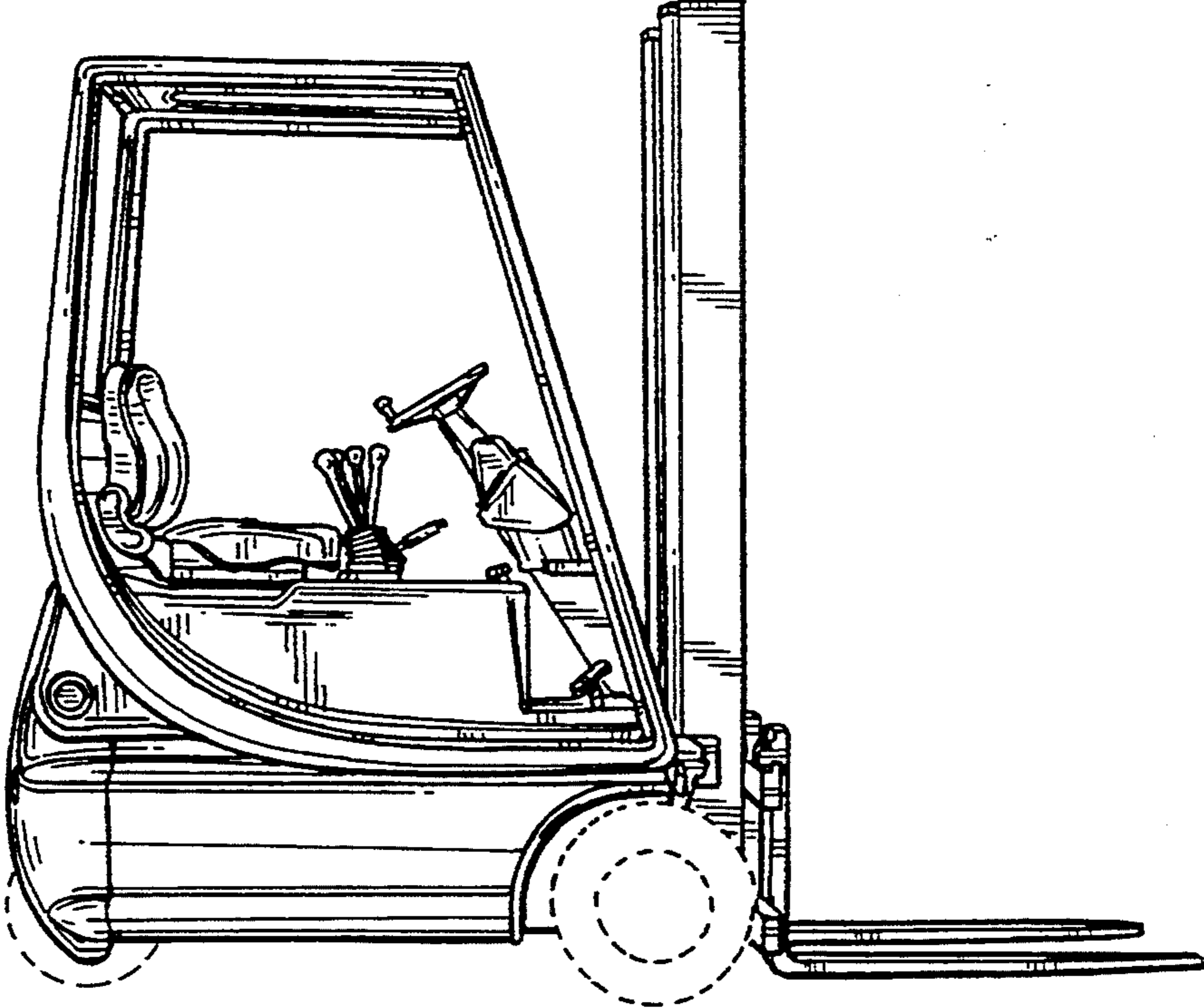


FIG. 1

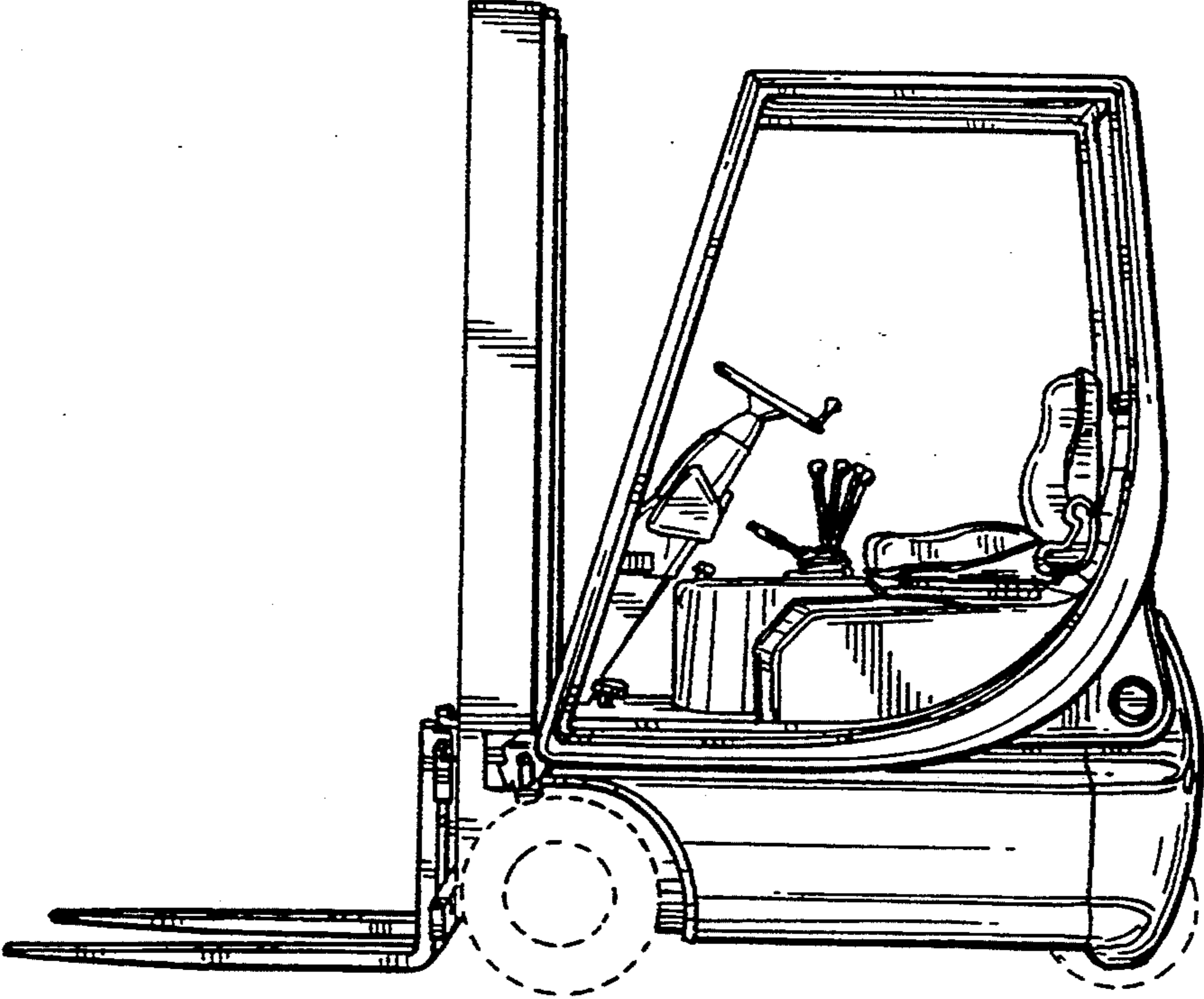


FIG. 2

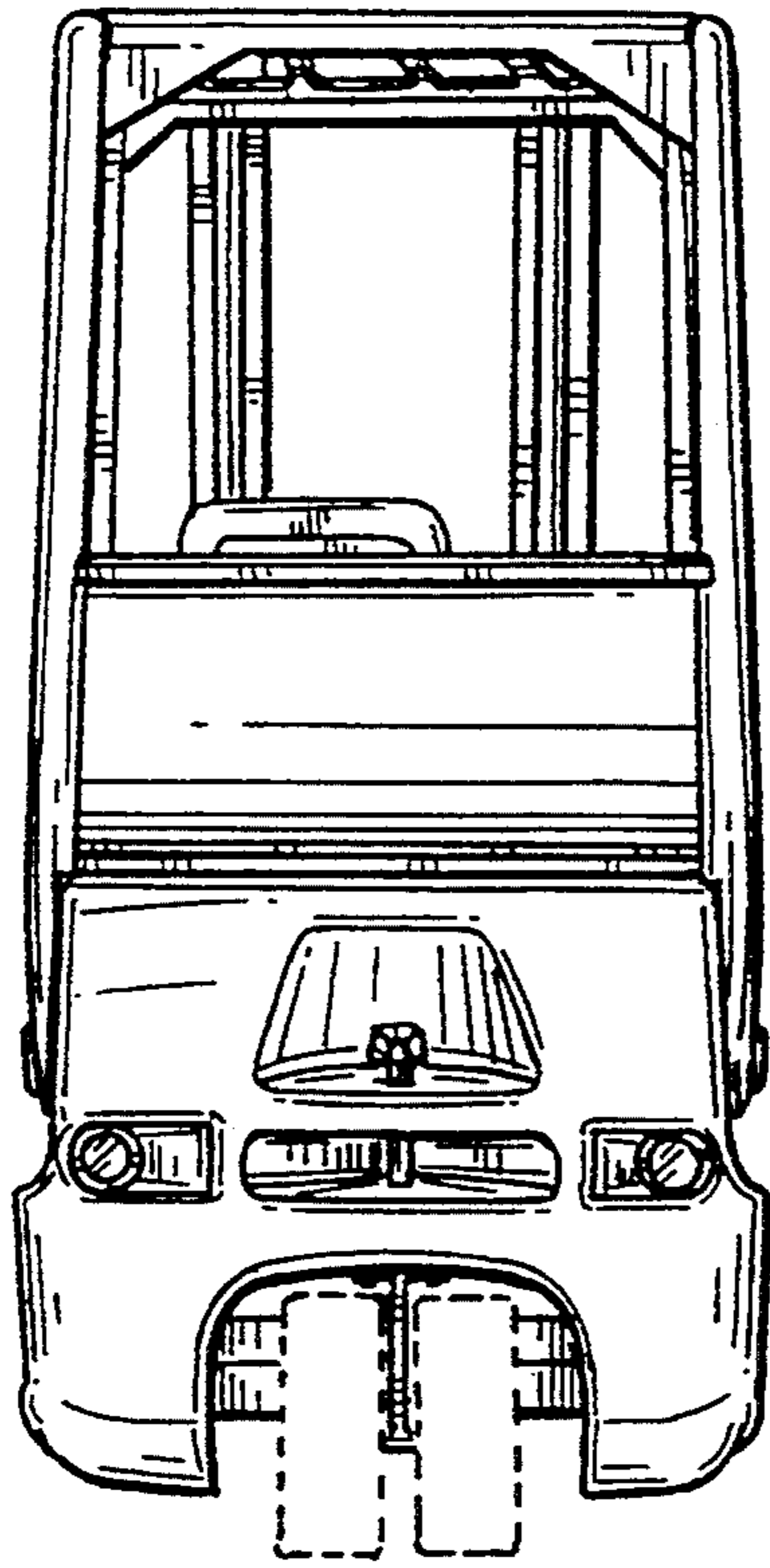


FIG. 3

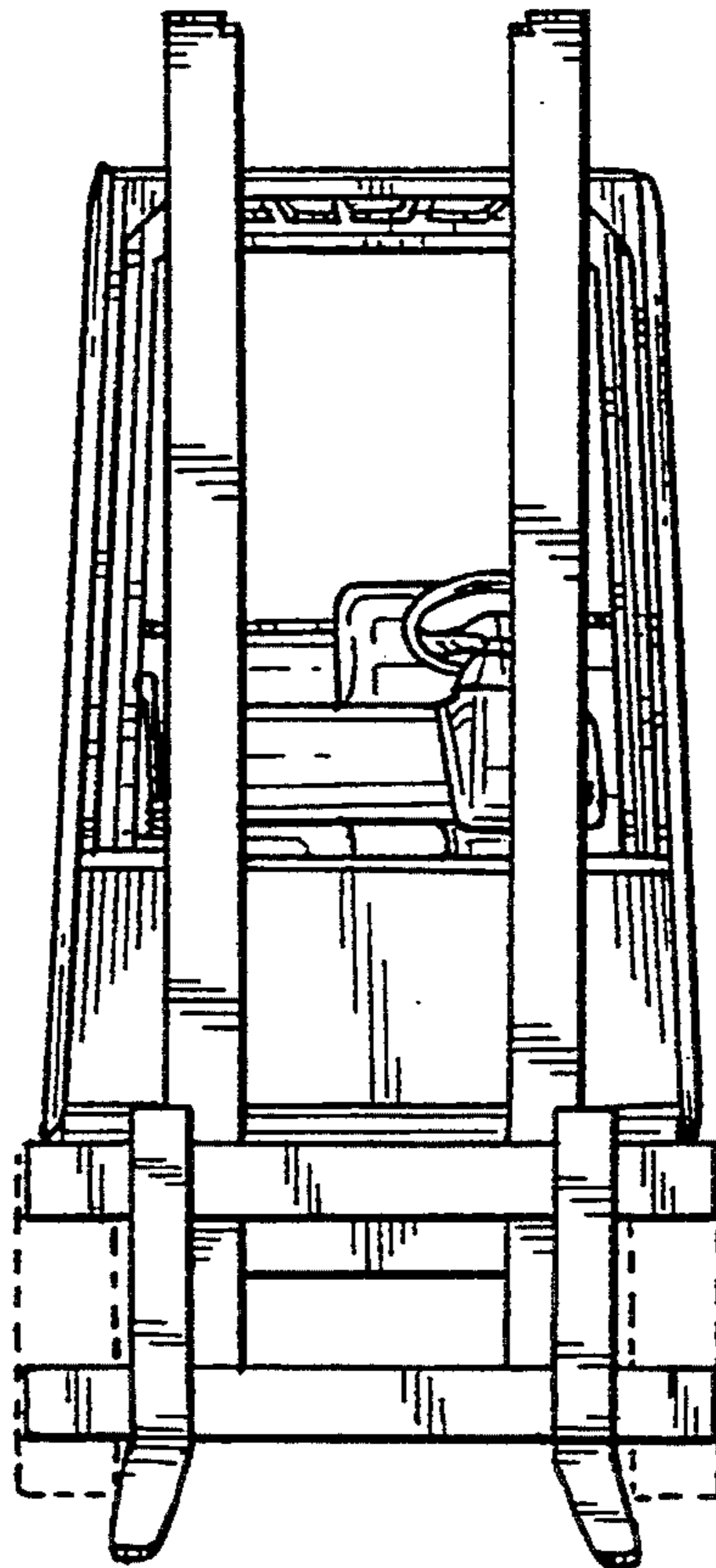


FIG. 4

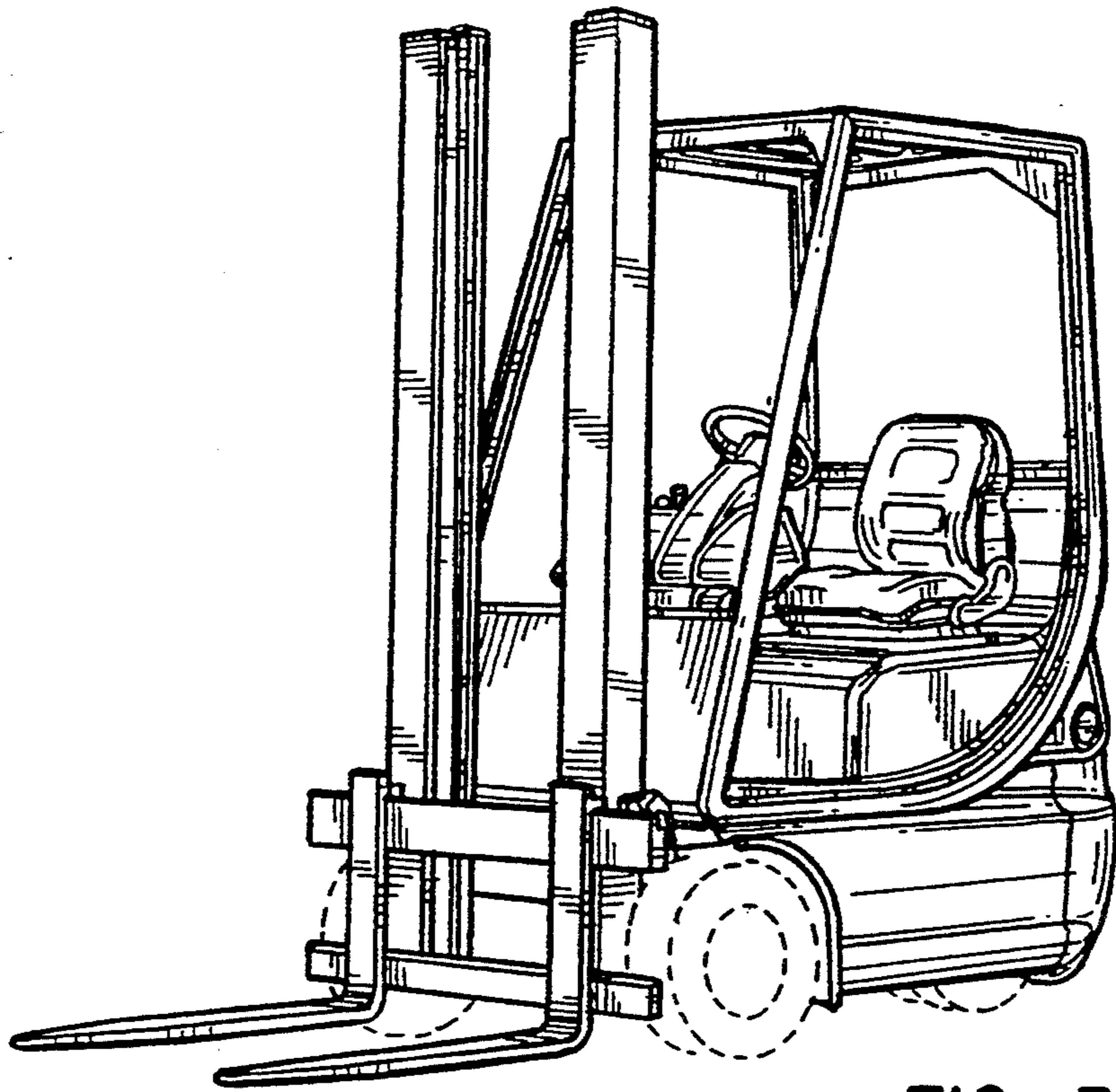


FIG. 5

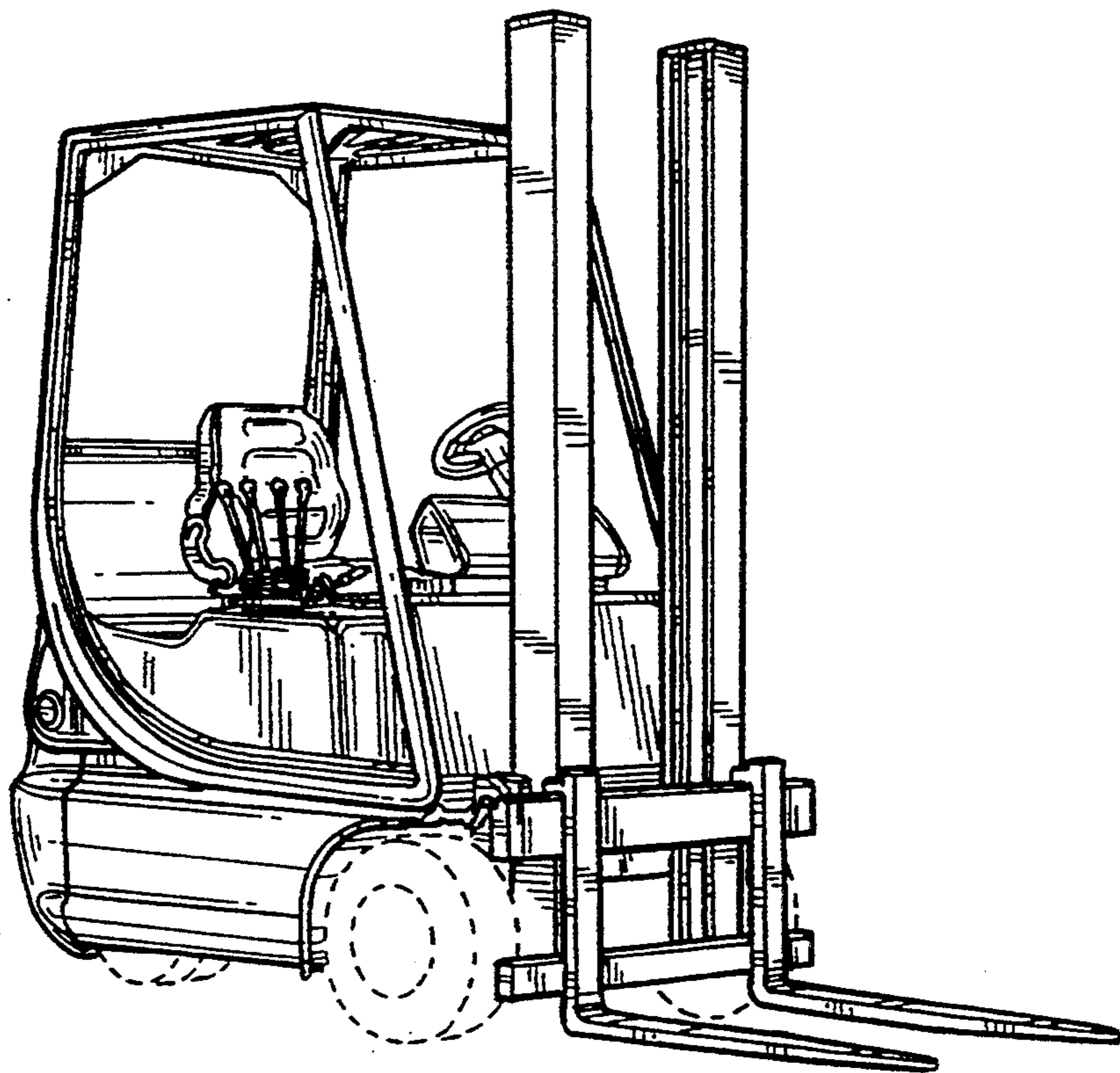


FIG. 6

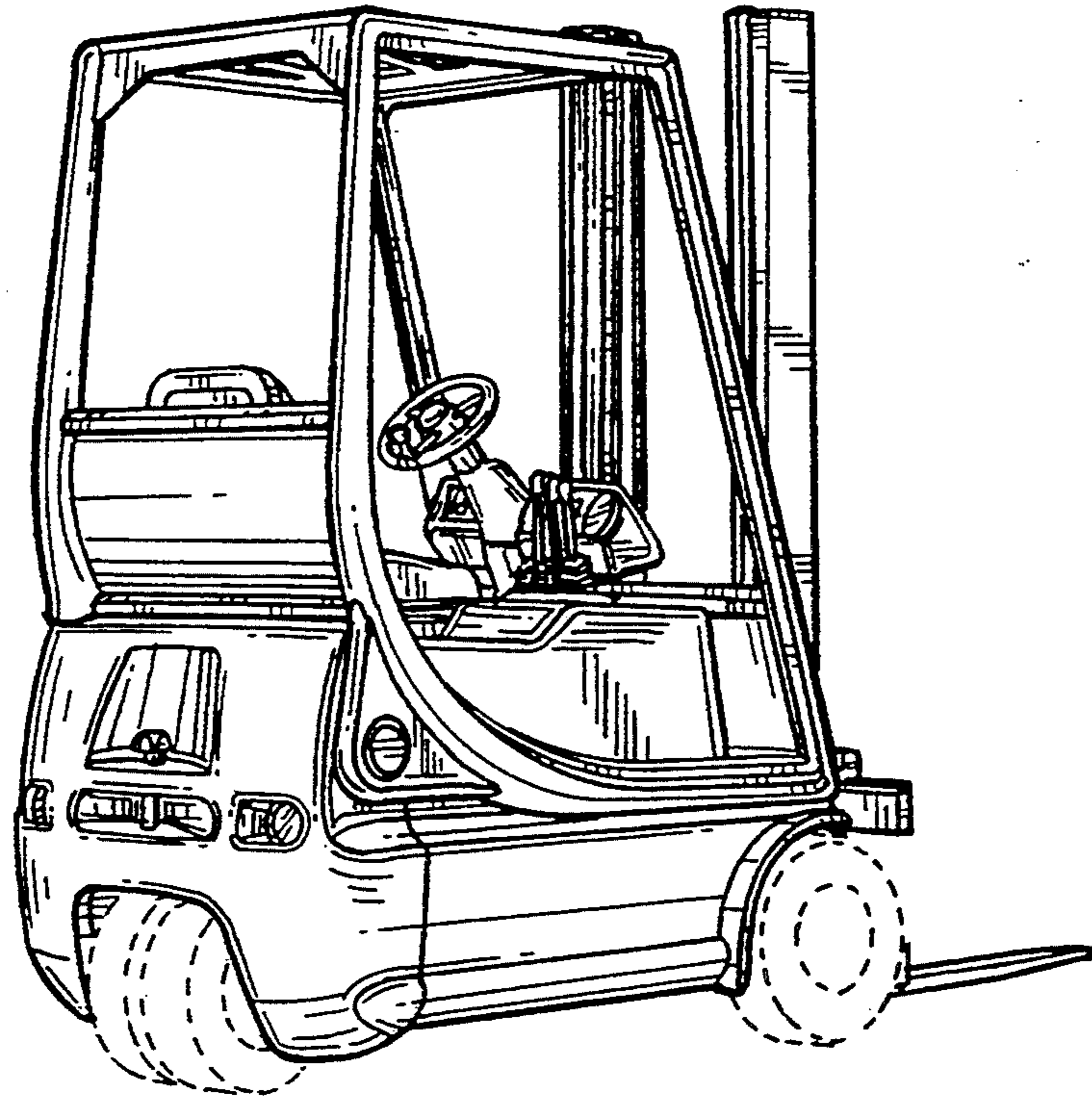


FIG. 7

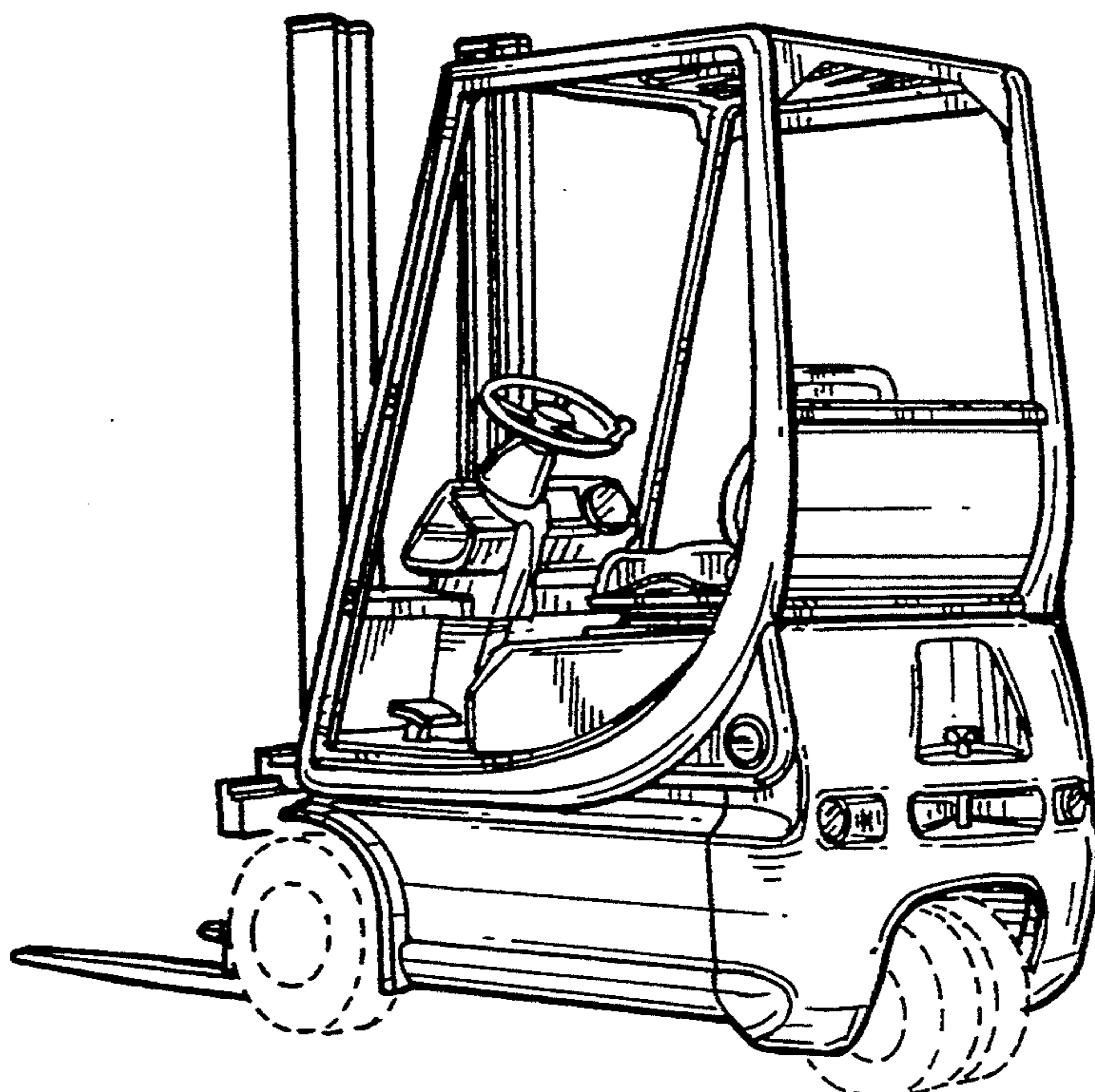


FIG. 8

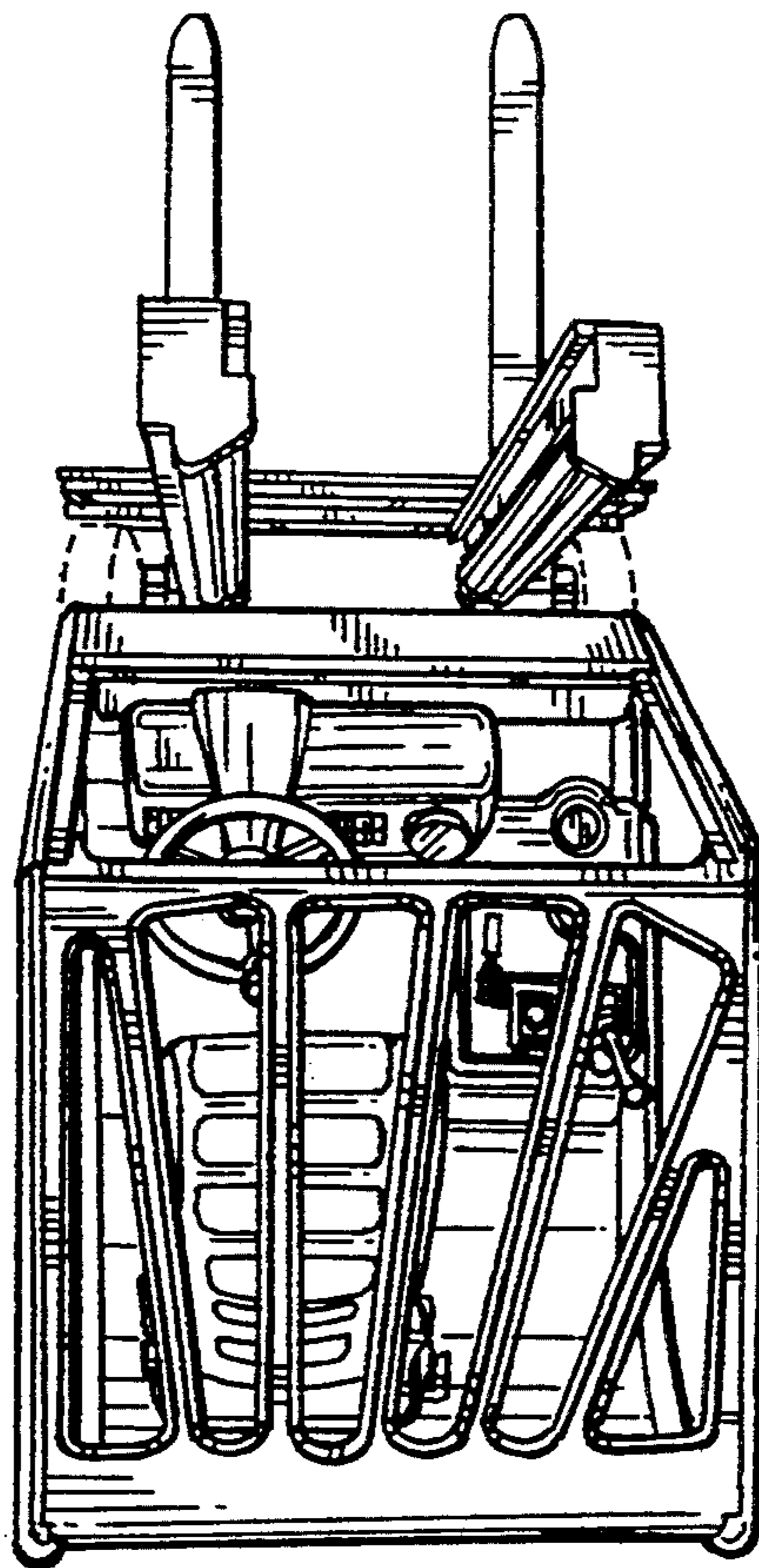


FIG. 9