



US00D358010S

# United States Patent [19]

[11] Patent Number: **Des. 358,010**

Berfield et al.

[45] Date of Patent: **\*\* May 2, 1995**

[54] **COMBINED WET AND DRY VACUUM CLEANER**

[75] Inventors: **Robert C. Berfield, Jersey Shore; Thomas S. Davy, Lock Haven, both of Pa.**

[73] Assignee: **Shop Vac Corporation, Williamsport, Pa.**

[\*\*] Term: **14 Years**

[21] Appl. No.: **12,656**

[22] Filed: **Sep. 7, 1993**

[52] U.S. Cl. .... **D32/23**

[58] Field of Search ..... **D32/21-23, D32/25, 31-32; 15/321, 353, 327.6, 327.2**

[56] **References Cited**

**U.S. PATENT DOCUMENTS**

D. 89,751	5/1933	Forsberg	.....	D32/23
D. 103,420	3/1937	Brock	.....	D32/23
D. 144,063	3/1946	McAllister	.....	D32/23
D. 148,312	1/1948	Lippincott	.....	D32/23
D. 159,087	6/1950	Martinet et al.	.....	D32/23
D. 165,636	1/1952	Cherry et al.	.....	D32/23
D. 174,841	5/1955	Trombley	.....	D32/23
D. 178,199	7/1956	Martinec	.....	D32/23
D. 178,322	7/1956	Kasper	.....	D32/23
D. 179,482	1/1957	Kolyer	.....	D32/23
D. 183,961	11/1958	Chapman	.....	D32/21
D. 186,874	12/1959	Trombley	.....	D32/23
D. 213,639	3/1969	Fegan	.....	D32/21
D. 214,196	5/1969	Williams	.....	D32/23
D. 243,574	3/1977	Bartlett	.....	D15/54
D. 264,591	5/1982	Jacobs	.....	D32/21
D. 266,612	10/1982	Hug	.....	D32/23

D. 286,336	10/1986	Berfield et al.	.....	D32/23
D. 296,945	7/1988	Erickson, Jr.	.....	D32/23
D. 303,172	8/1989	Goodrich	.....	D32/21
D. 312,336	11/1990	Boese	.....	D32/21
D. 333,890	3/1993	Oberdorfer-Bogel	.....	D32/23
D. 334,258	3/1993	Oberdorfer-Bogel	.....	D32/23
D. 335,555	5/1993	Reath	.....	D32/21
D. 338,292	8/1993	Schmitz et al.	.....	D32/21
D. 338,294	8/1993	Köhler	.....	D32/23
2,627,936	2/1953	Martinet	.....	15/327.6
5,313,686	5/1994	Berfield	.....	15/327.6

**OTHER PUBLICATIONS**

Merchandising; Jan. 83; p. 102; Bissell Inc. Carpet Machine II advertisement.

*Primary Examiner*—Cathy Anne MacCormac  
*Attorney, Agent, or Firm*—Marshall, O'Toole, Gerstein, Murray & Borun

[57] **CLAIM**

The ornamental design for a combined wet and dry vacuum cleaner, as shown and described.

**DESCRIPTION**

FIG. 1 is a front perspective view taken from the right of a combined wet and dry vacuum cleaner showing our new design; FIG. 2 is a front elevational view thereof; FIG. 3 is a left side elevational view thereof; FIG. 4 is a right side elevational view thereof; FIG. 5 is a rear elevational view thereof; FIG. 6 is a plan view thereof; and, FIG. 7 is a bottom view thereof. The dashed lines are illustrative purposes only and form no part of the claimed design.

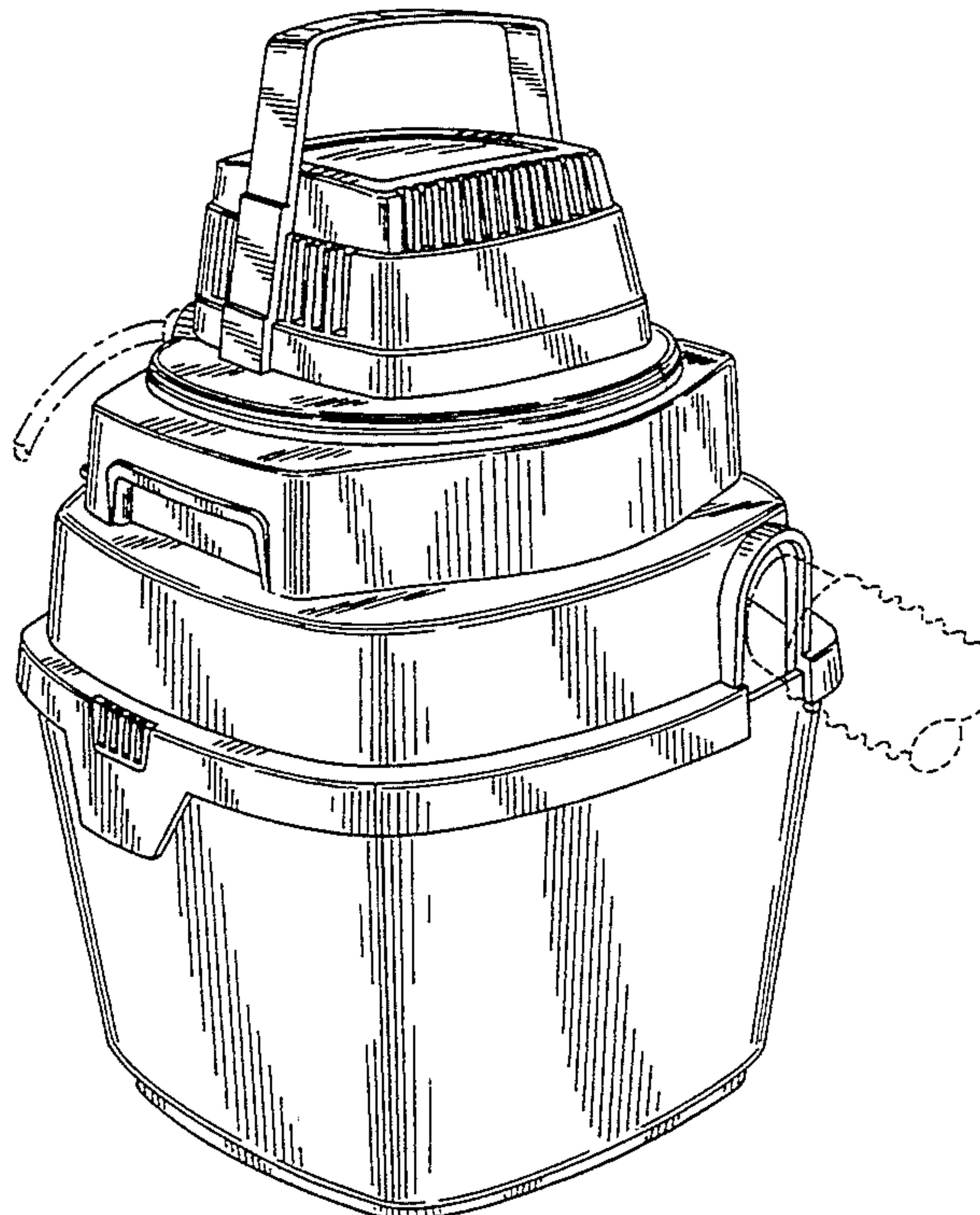


FIG. 1

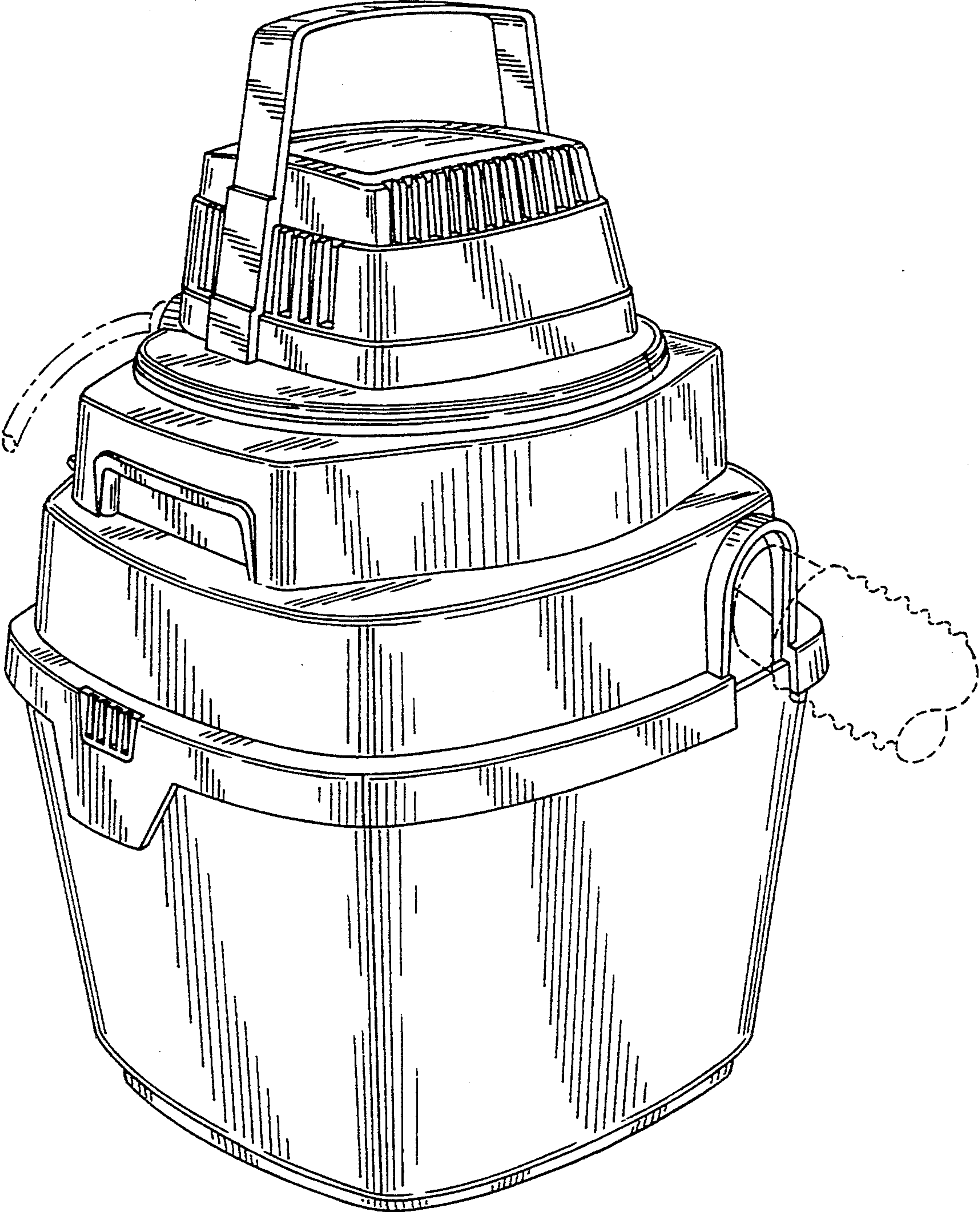




FIG. 2

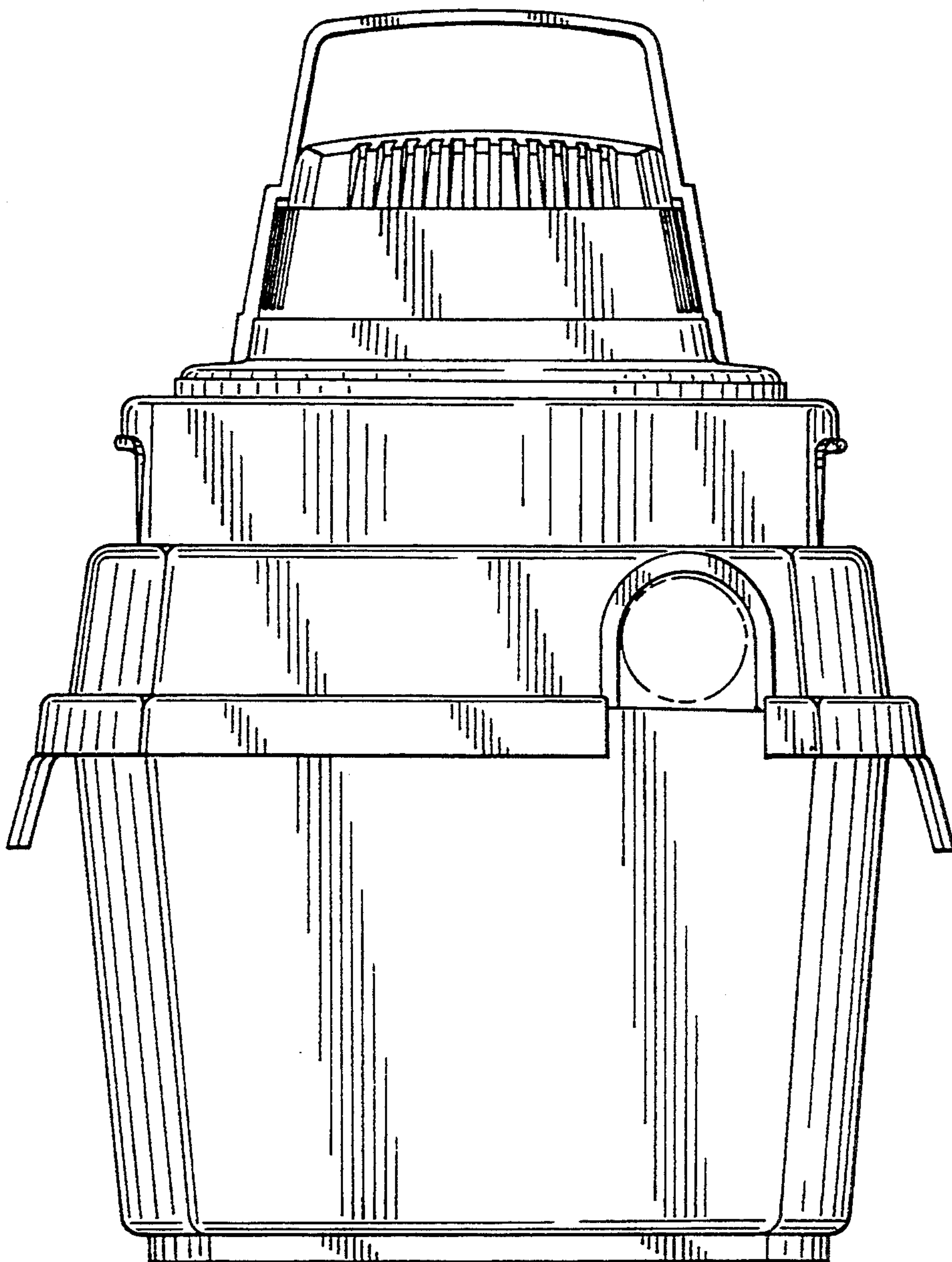


FIG. 3

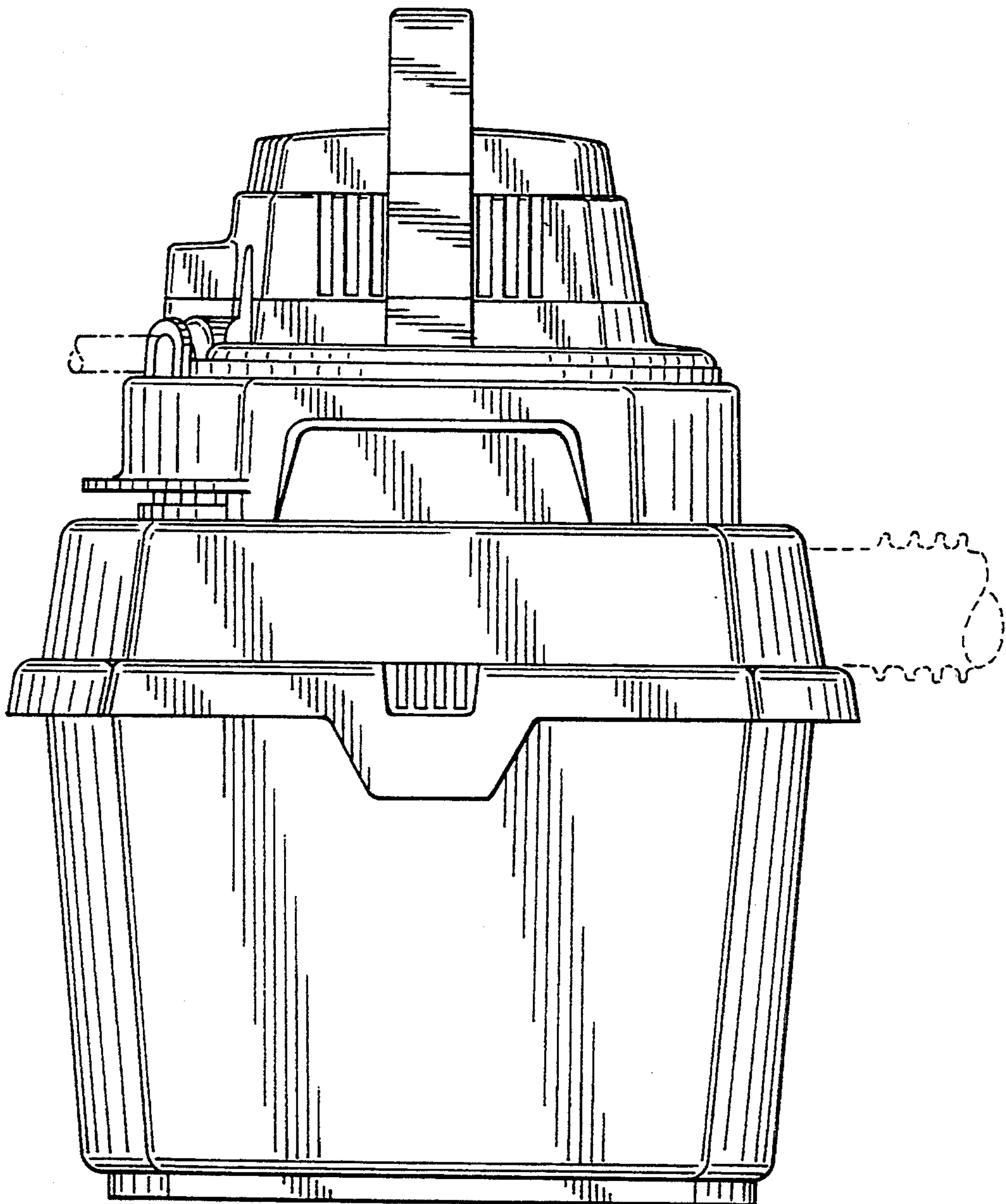


FIG. 4

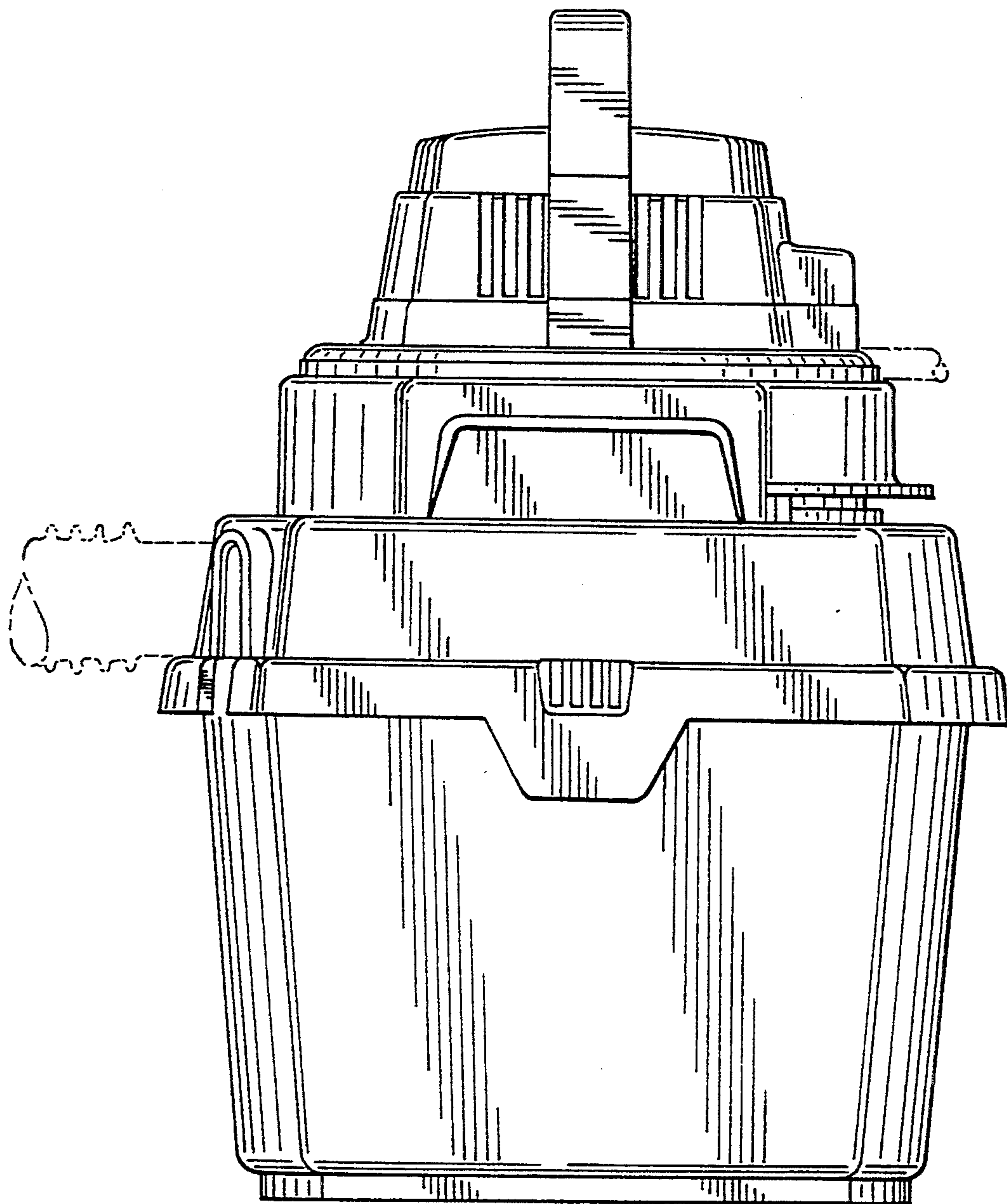


FIG. 5

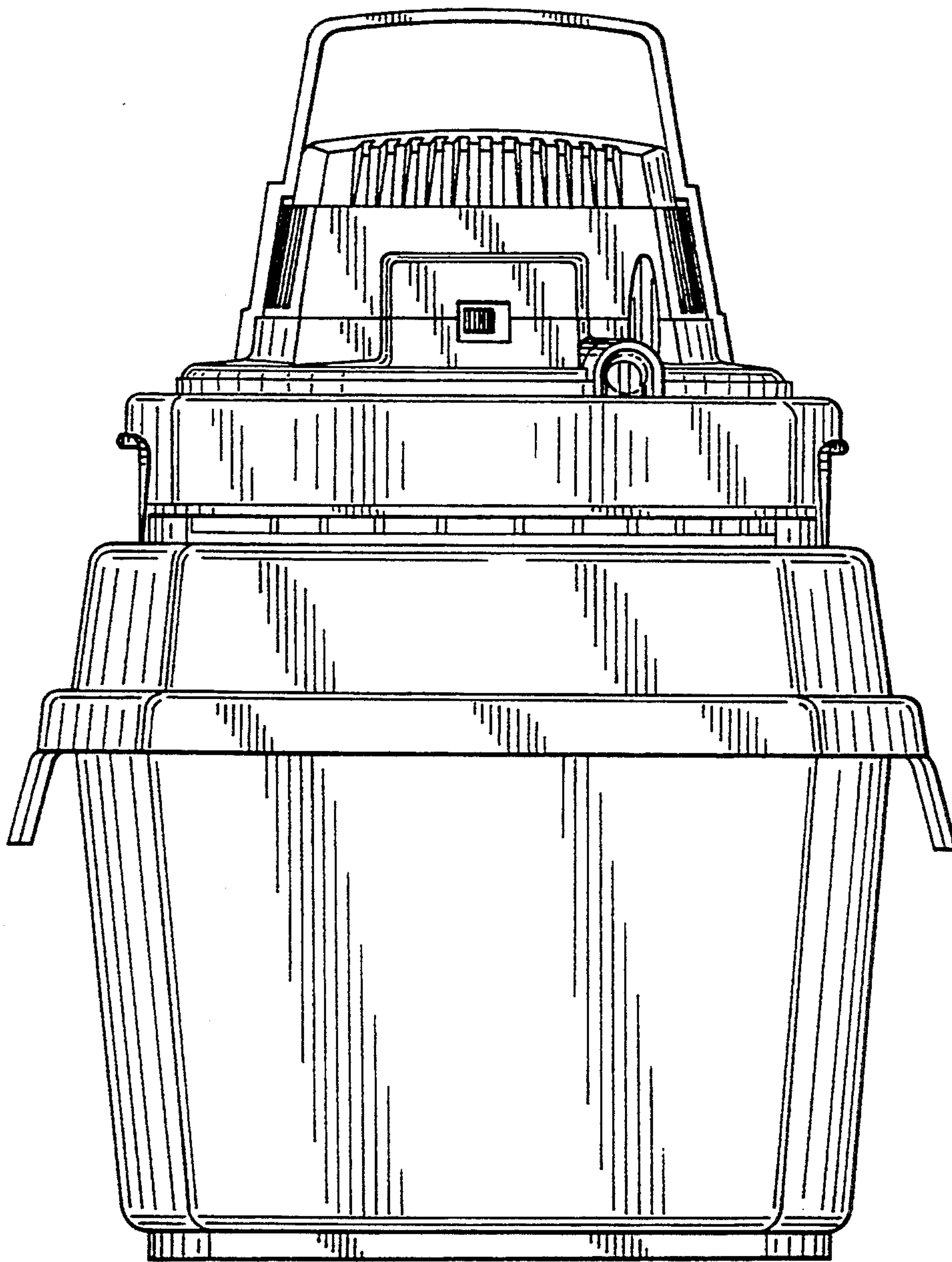




FIG. 6

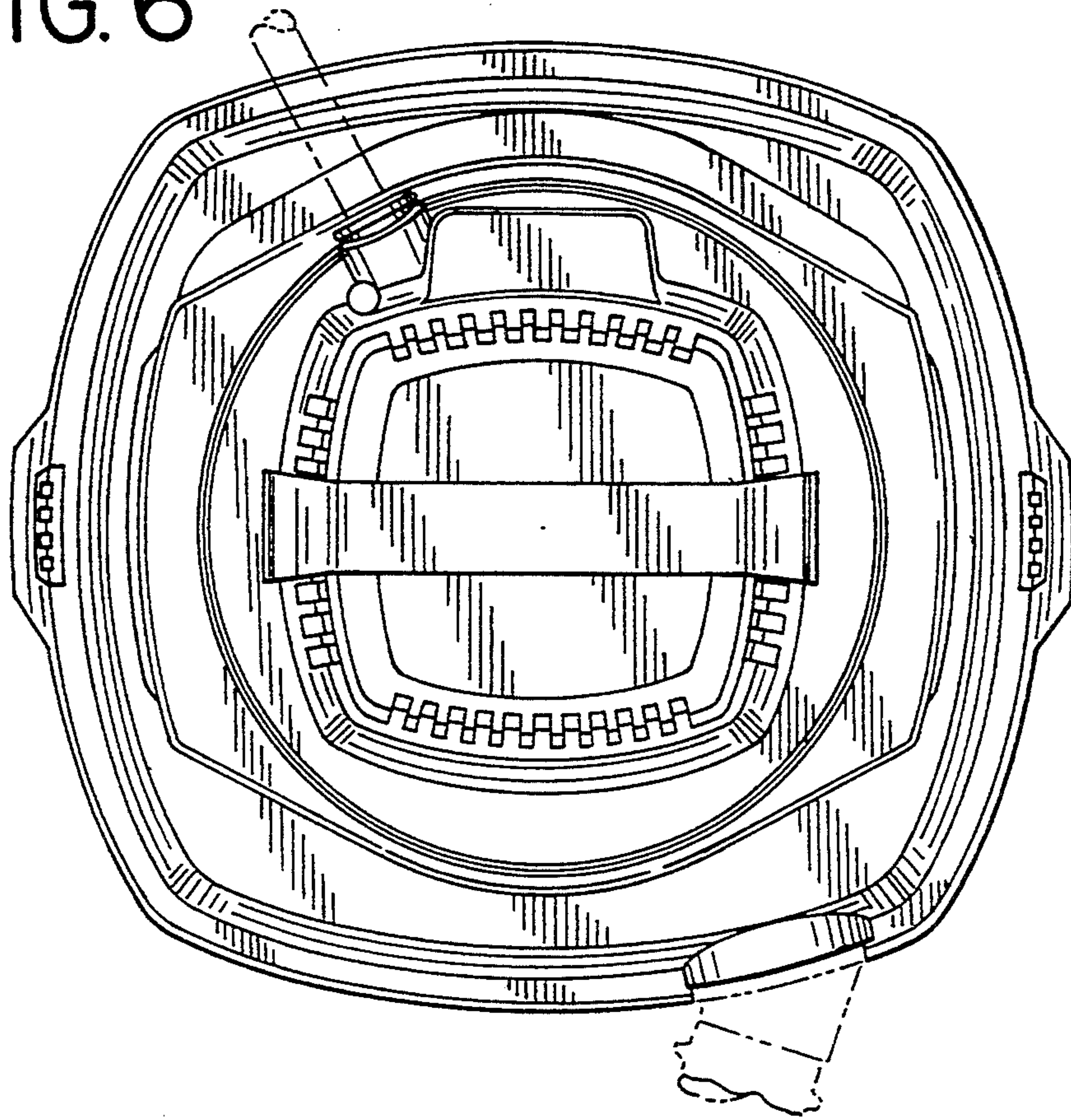


FIG. 7

