



US00D357998S

United States Patent [19]

[11] Patent Number: **Des. 357,998**

Kania

[45] Date of Patent: **** May 2, 1995**

[54] **CEILING LAMP**

[76] Inventor: **Martin Kania**, Fischenbergstrasse 15
b, 58455 Witten, Germany

[**] Term: **14 Years**

[21] Appl. No.: **14,018**

[22] Filed: **Oct. 8, 1993**

[30] **Foreign Application Priority Data**

Apr. 8, 1993 [DE] Germany 93 03 078.9

[52] U.S. Cl. **D26/88**

[58] Field of Search D26/72, 80-92;
362/147, 404, 405, 406, 407, 408

[56] **References Cited**

PUBLICATIONS

Abitare, #229, Nov. 1984, ADS—p. 4, Fontana Arte
Ceiling Lamp.

Abitare, Sep. 1988, ADS—p. 58, Fontana Arte Ceiling
Lamp.

Interiors, May 1980, p. 60, Pendant Lamp.

Primary Examiner—Susan J. Lucas
Attorney, Agent, or Firm—Snell & Wilmer

[57] **CLAIM**

The ornamental design for a ceiling lamp, as shown and
described.

DESCRIPTION

FIG. 1 is a perspective view of a ceiling lamp embody-
ing my new design;

FIG. 2 is a side elevational view of one side of the ceil-
ing lamp shown in FIG. 1;

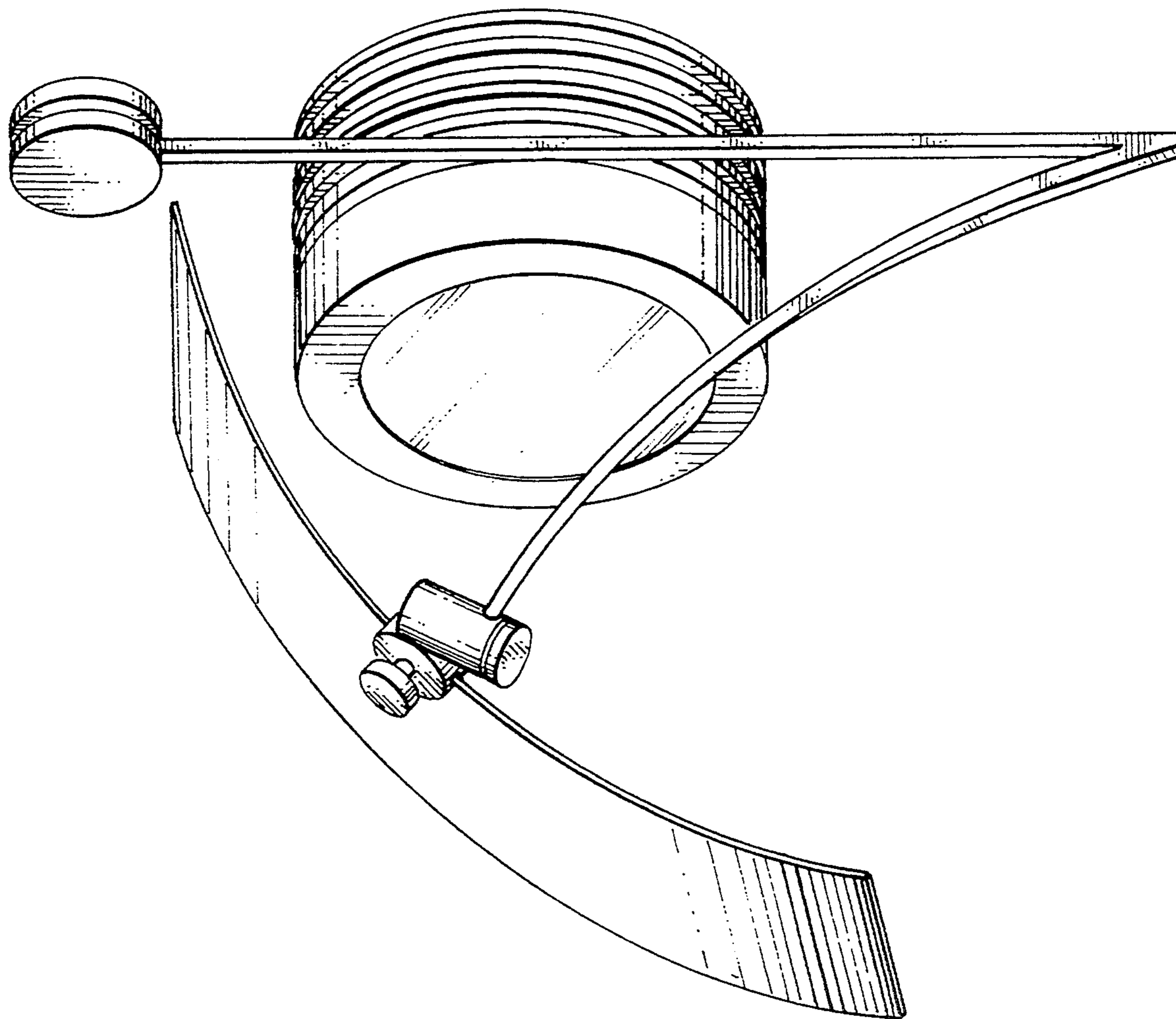
FIG. 3 is a front elevational view of the ceiling lamp
shown in FIG. 1;

FIG. 4 is a side elevational view of the other side of the
ceiling lamp showing in FIG. 1;

FIG. 5 is a rear elevational view of the lamp shown in
FIG. 1;

FIG. 6 is a bottom plan view of the lamp shown in FIG.
1; and,

FIG. 7 is a top plan view of the lamp shown in FIG. 1.



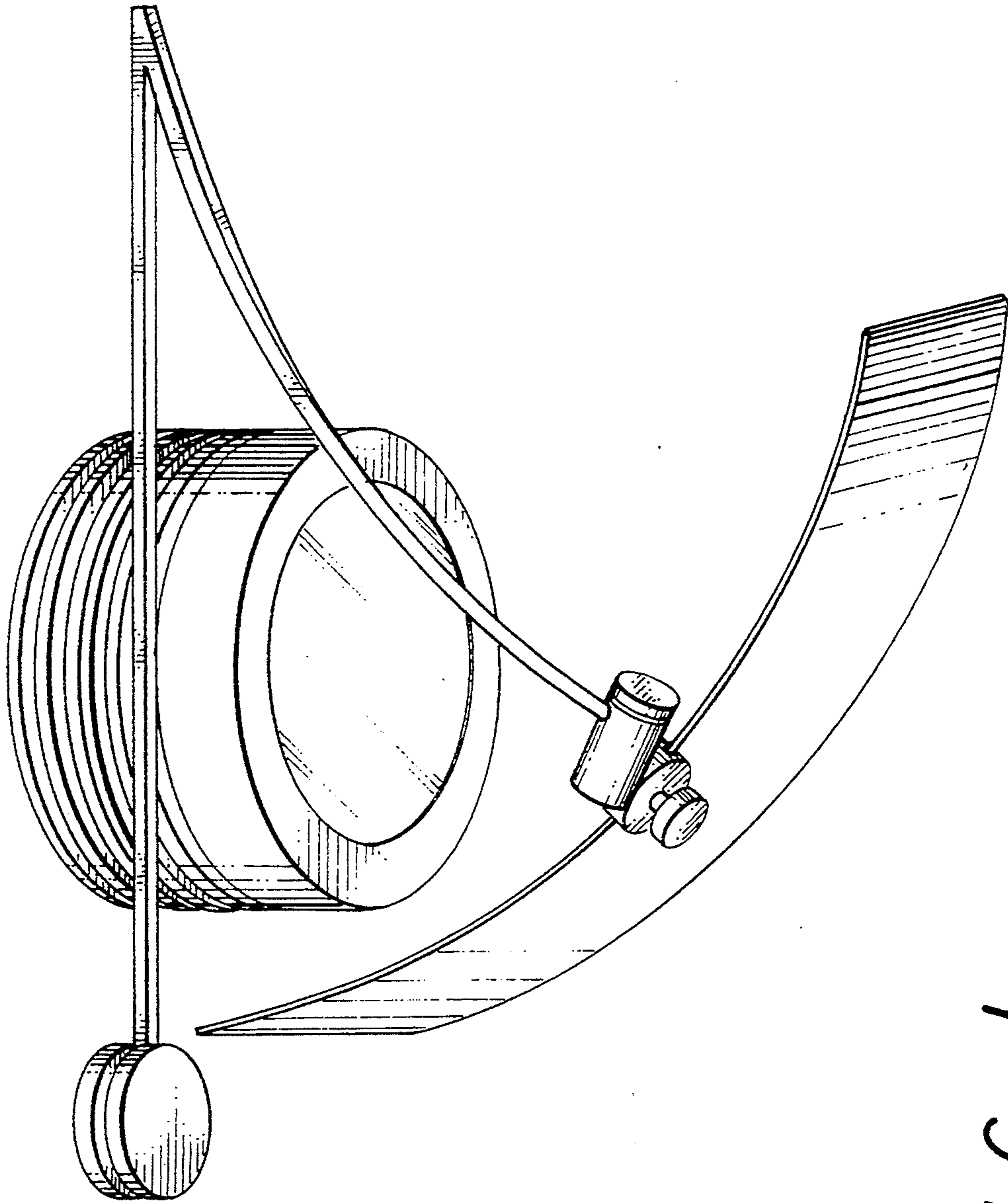


FIG. 1

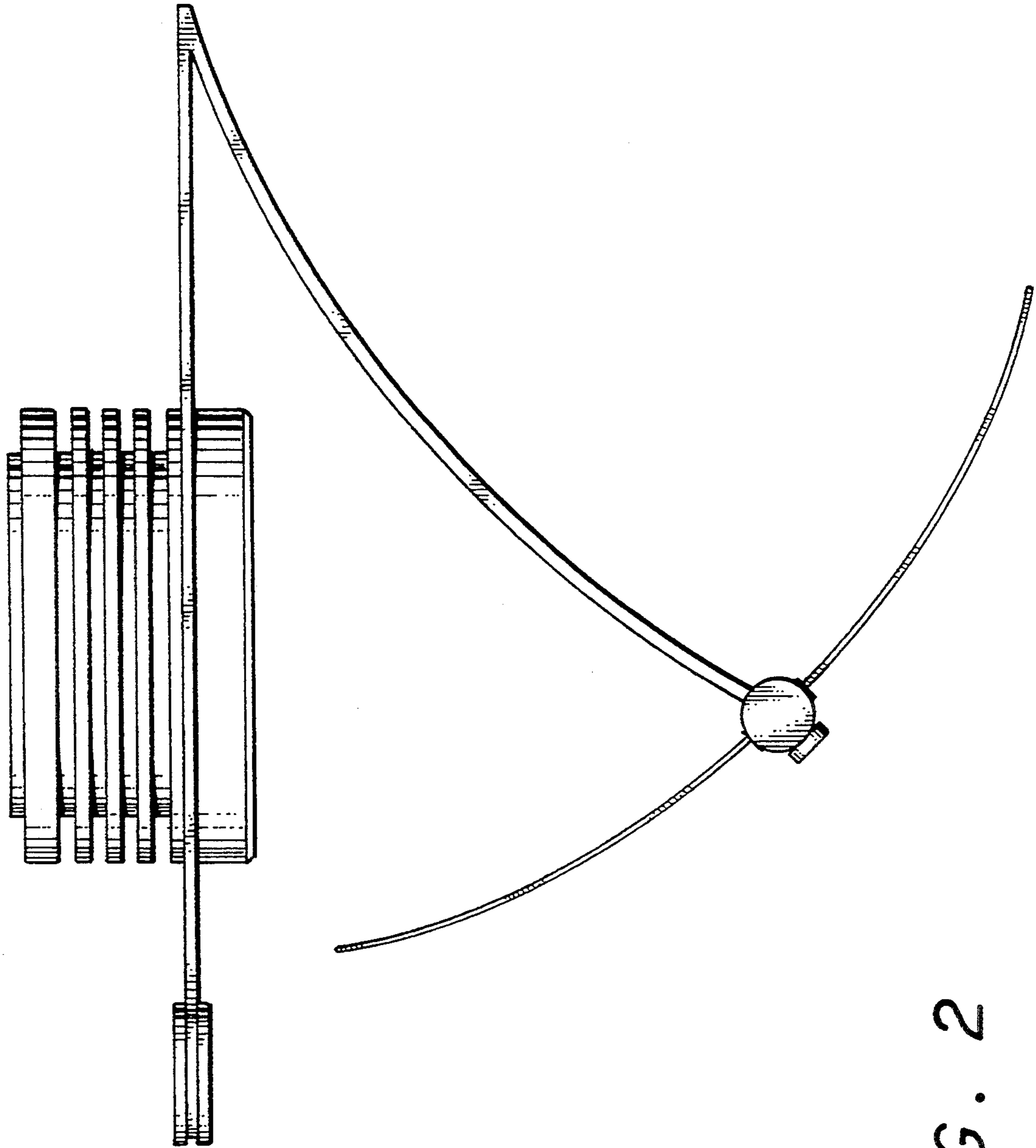


FIG. 2

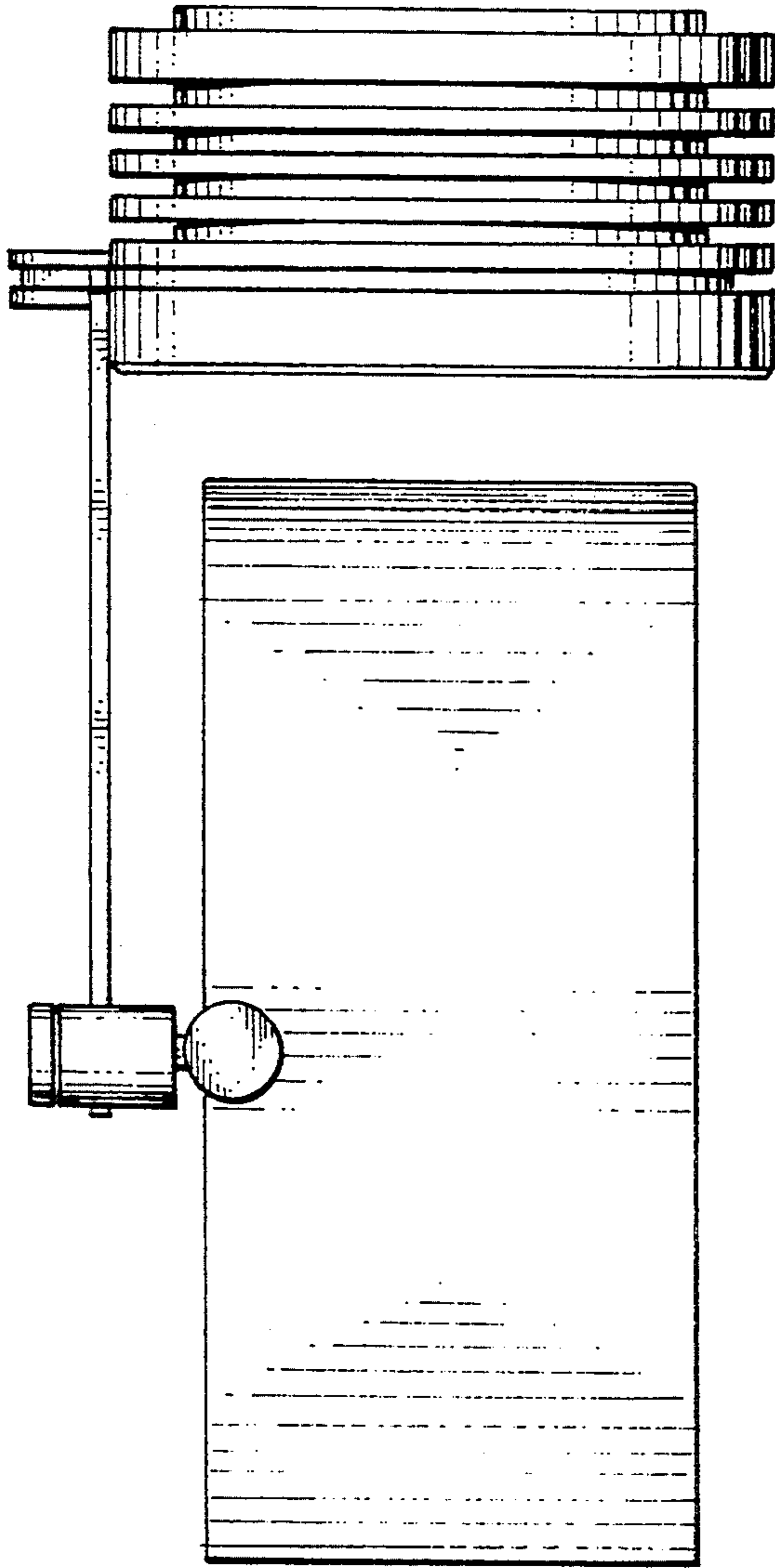
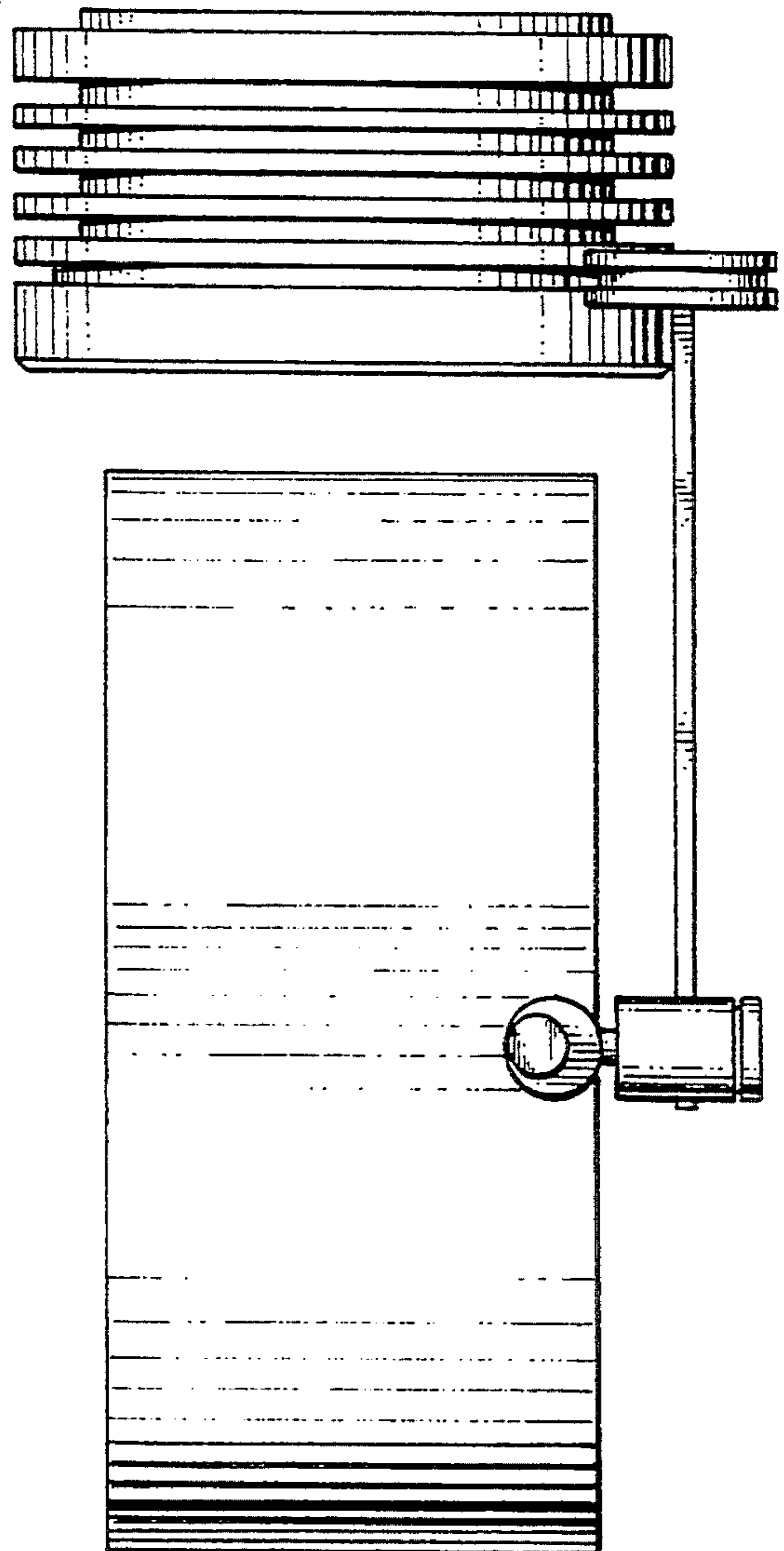


FIG. 5

FIG. 3



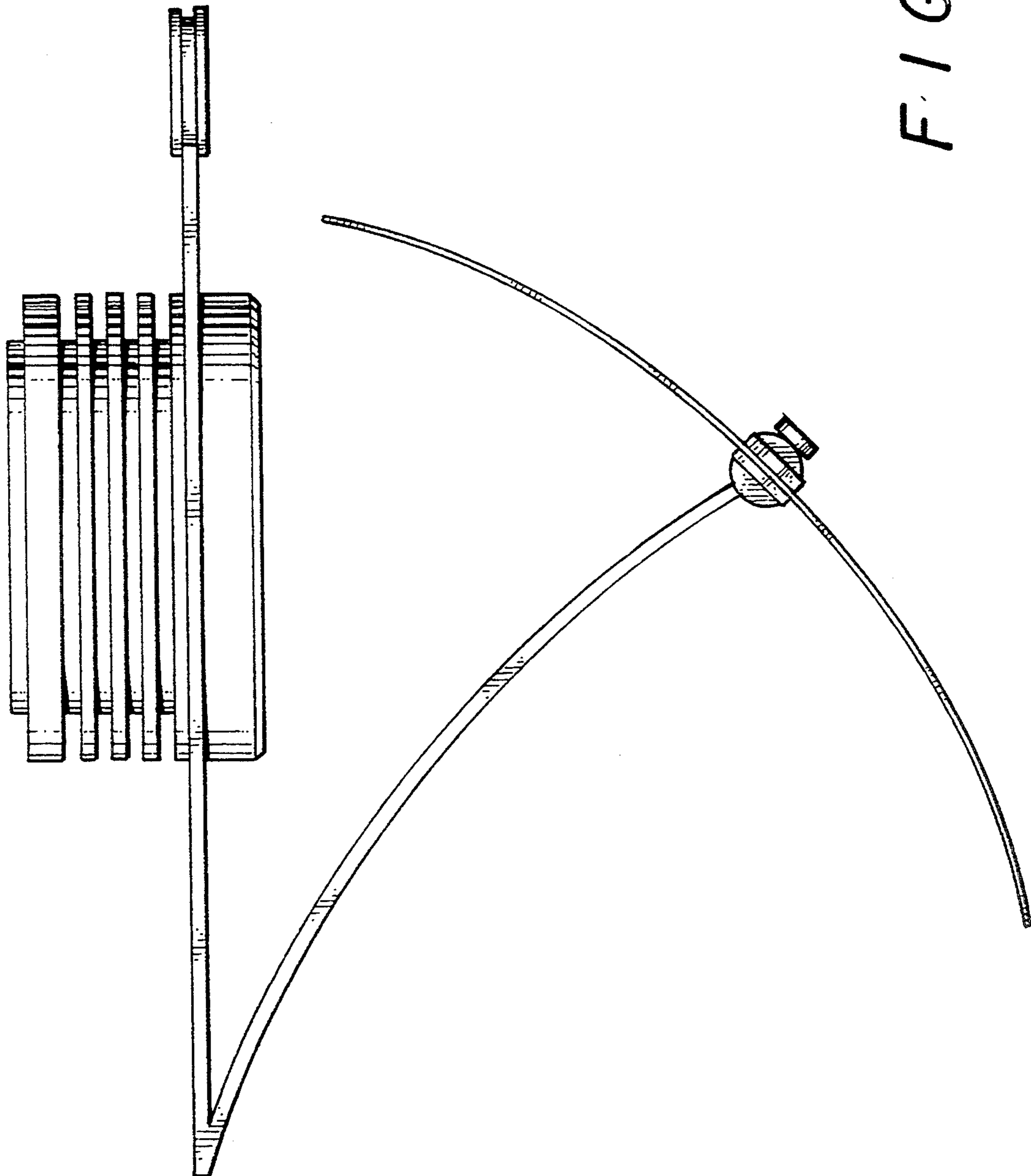


FIG. 4

FIG. 6

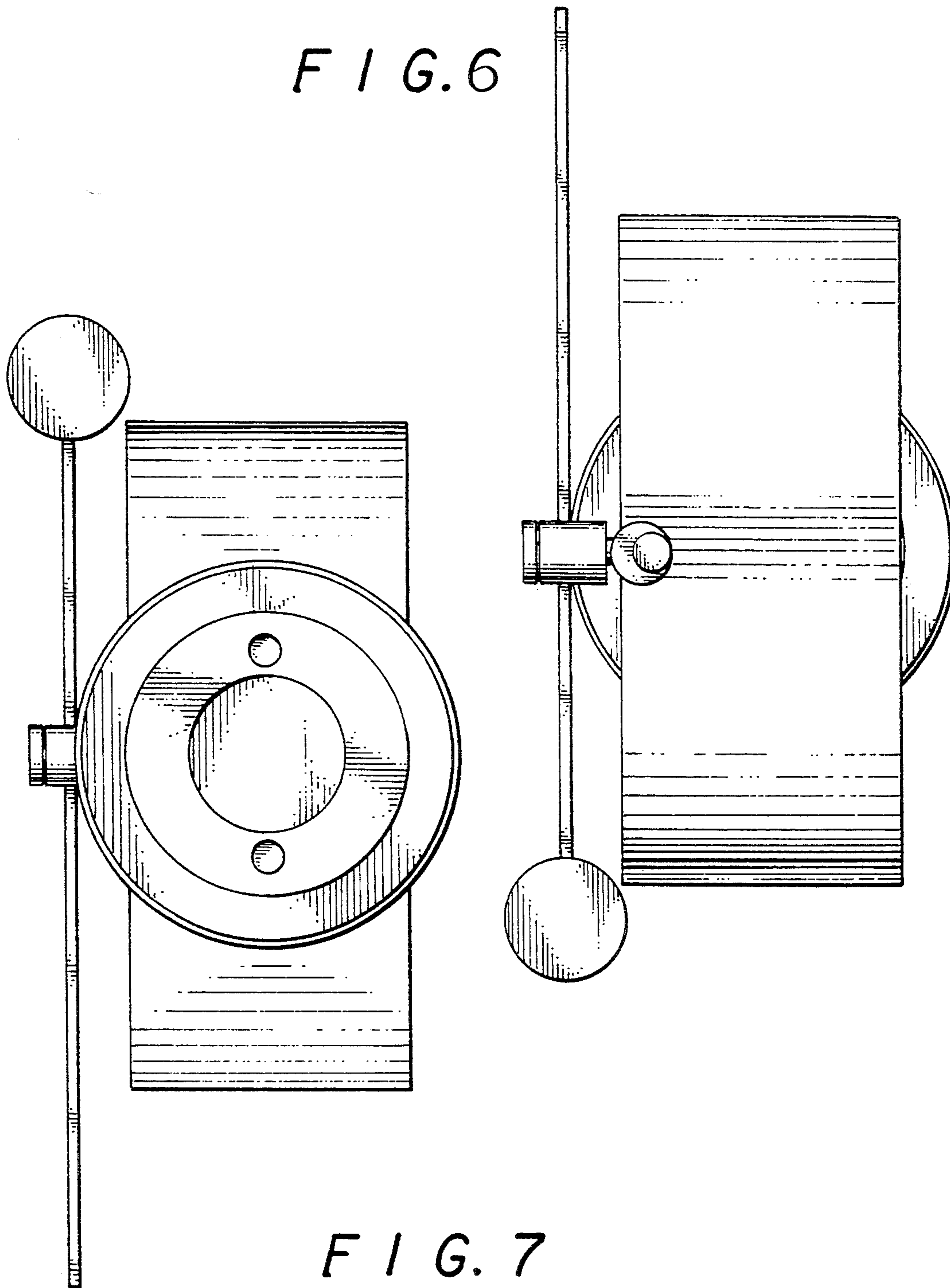


FIG. 7