



US00D357992S

# United States Patent [19]

Mehaffey

[11] Patent Number: **Des. 357,992**

[45] Date of Patent: **\*\* May 2, 1995**

[54] **ADJUSTABLE FLOODLIGHT**

[75] Inventor: **David E. Mehaffey, Vicksburg, Miss.**

[73] Assignee: **Cooper Industries, Inc., Houston, Tex.**

[\*\*] Term: **14 Years**

[21] Appl. No.: **11,693**

[22] Filed: **Aug. 12, 1993**

[52] U.S. Cl. .... **D26/63**

[58] Field of Search ..... **D26/60, 61, 63, 64, D26/65; 362/147, 269, 271, 275, 418, 419, 427**

D. 287,645 1/1987 Ewing et al. .... D26/63  
 D. 296,829 7/1988 Peppers ..... D26/63  
 4,626,975 12/1986 Miletich ..... 362/418

*Primary Examiner*—Susan J. Lucas  
*Attorney, Agent, or Firm*—William B. Patterson; Eddie E. Scott

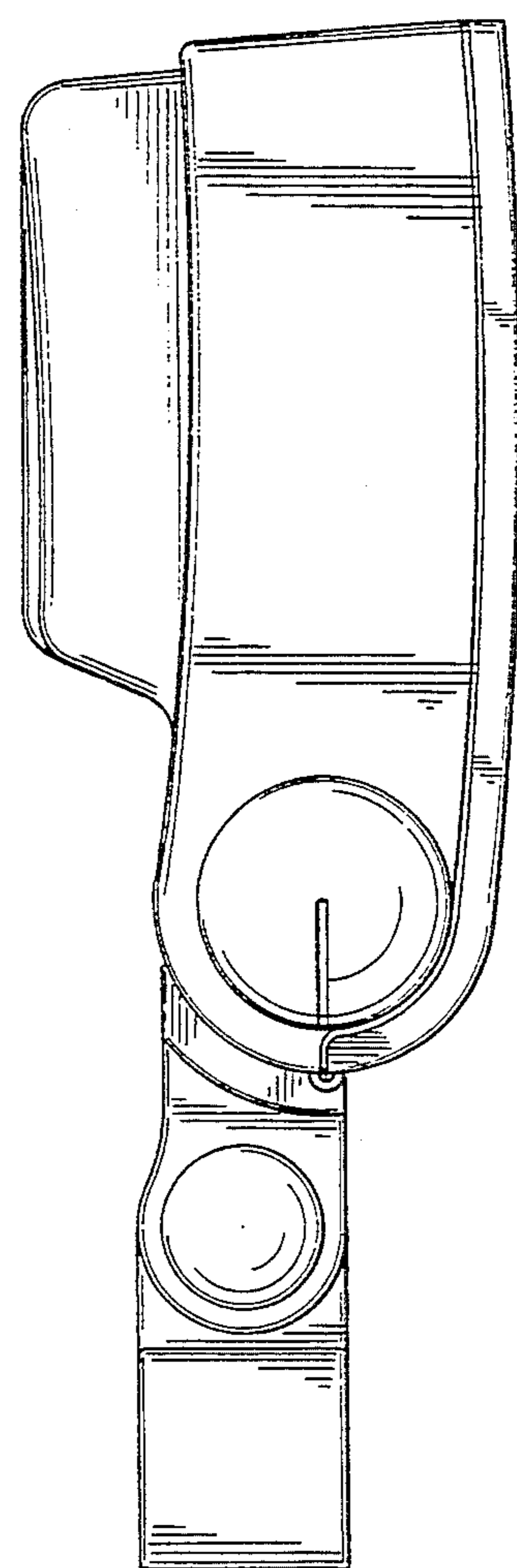
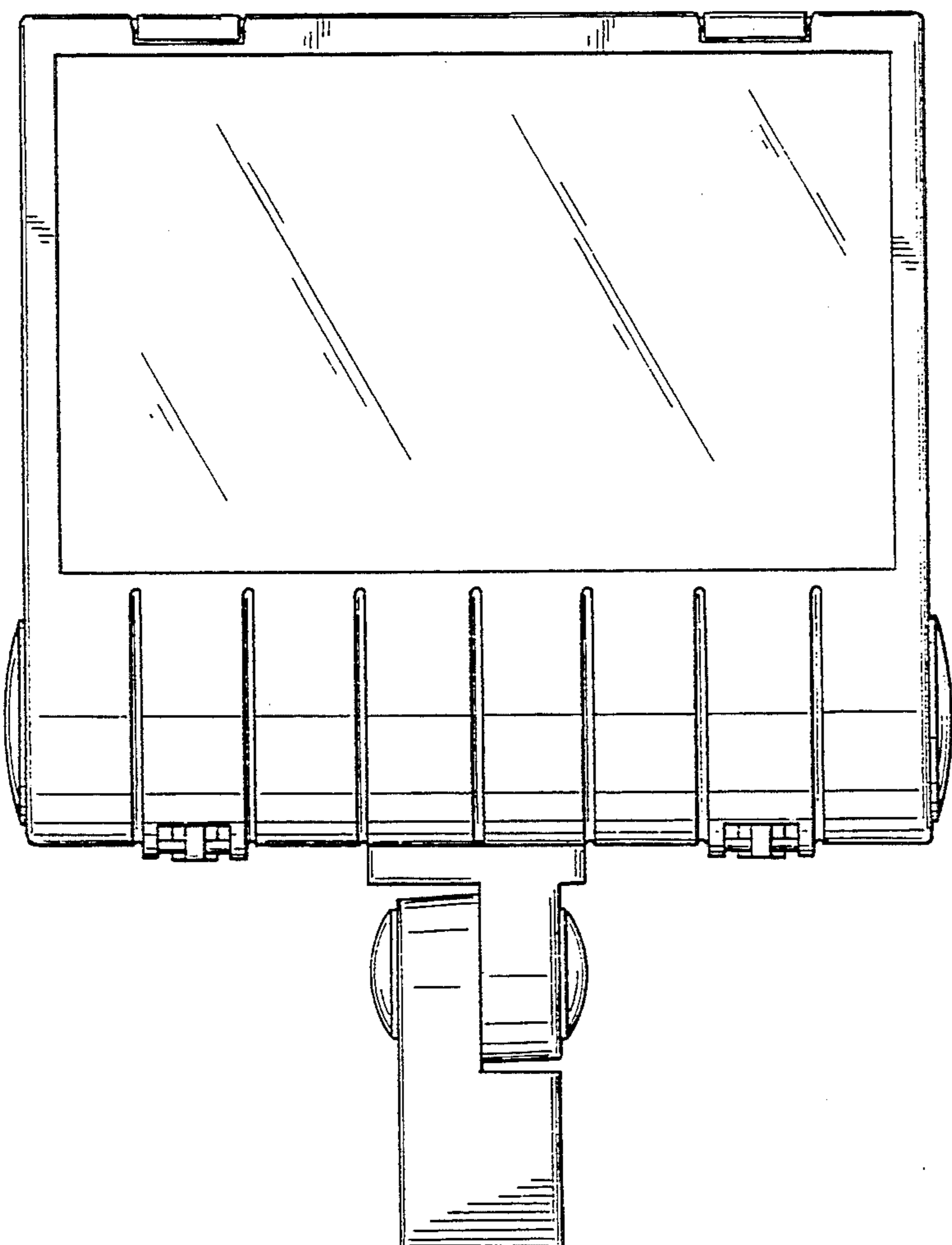
### [57] CLAIM

The ornamental design for an adjustable floodlight fixture, as shown and described.

### DESCRIPTION

FIG. 1 is a front view showing my new design;  
 FIG. 2 is a bottom view;  
 FIG. 3 is a rear view;  
 FIG. 4 is a top view;  
 FIG. 5 is a left side view; and,  
 FIG. 6 is a right side view; thereof.

[56] **References Cited**  
**U.S. PATENT DOCUMENTS**  
 D. 205,624 8/1966 Pritchett ..... D26/63 X



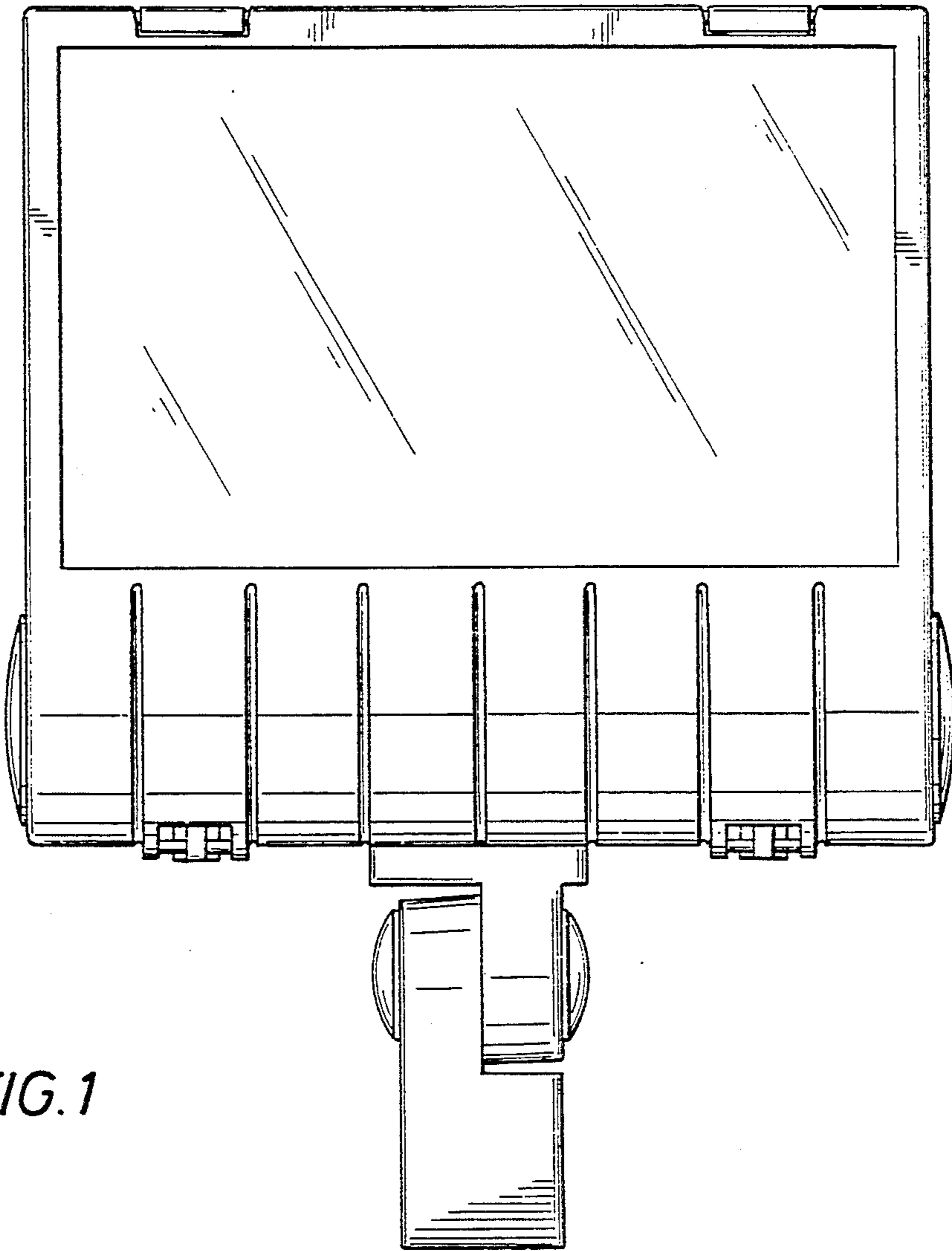


FIG. 1

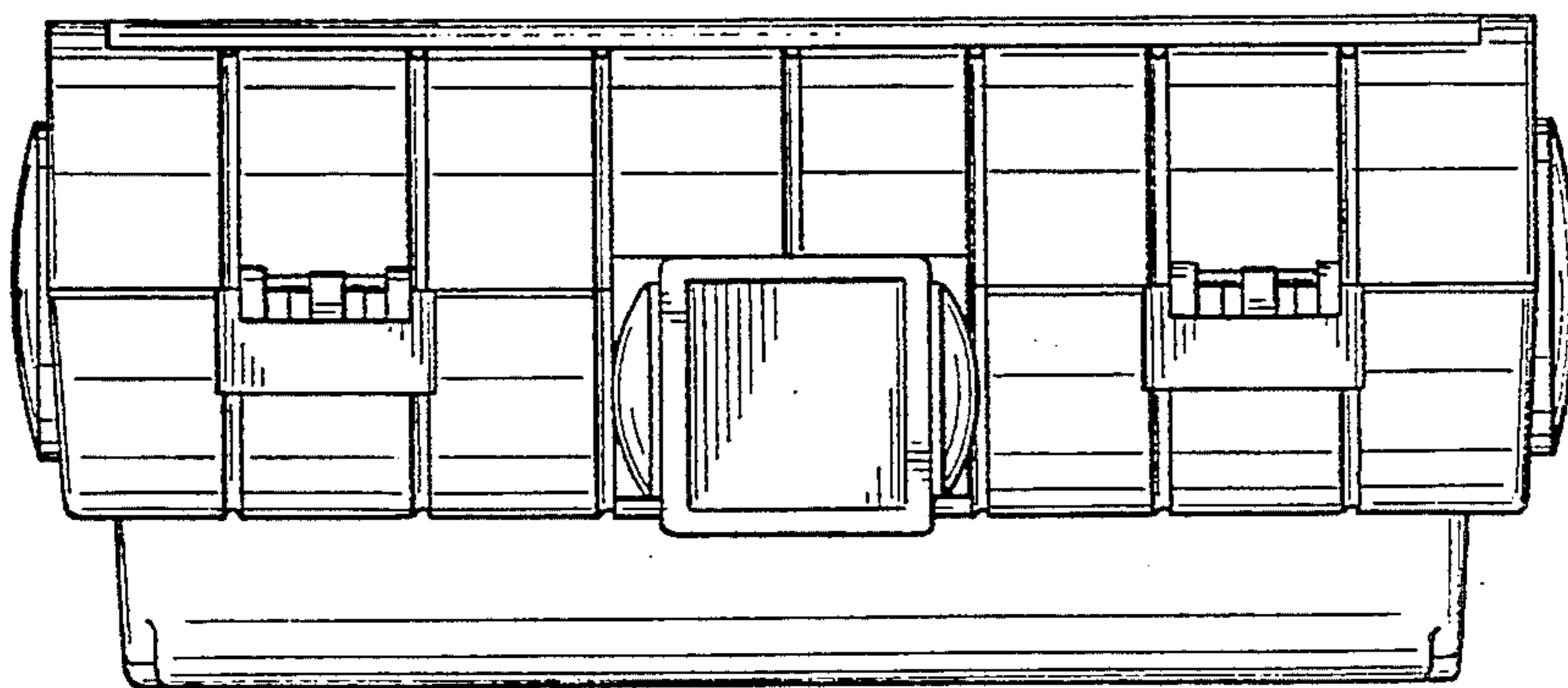


FIG. 2

FIG. 4

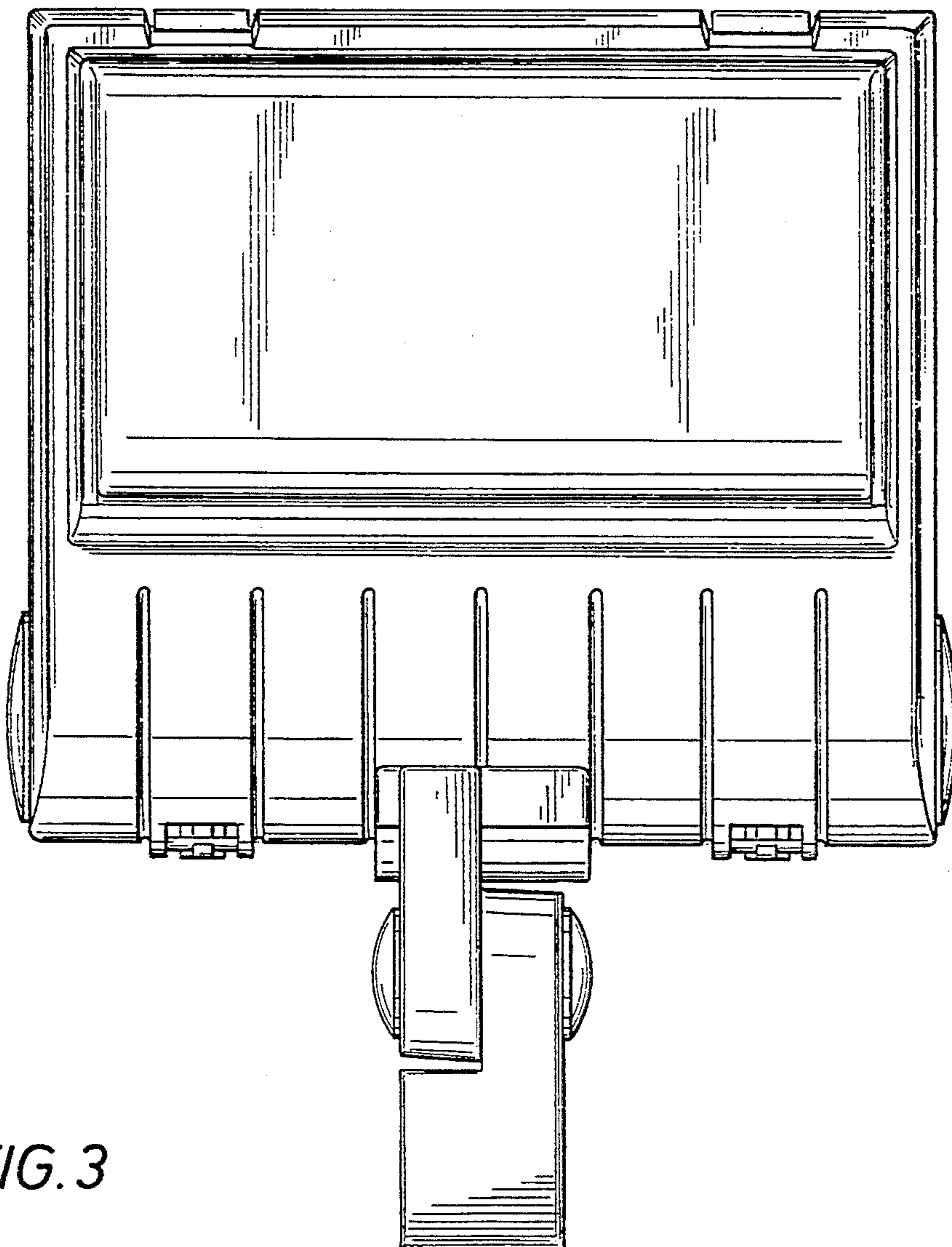
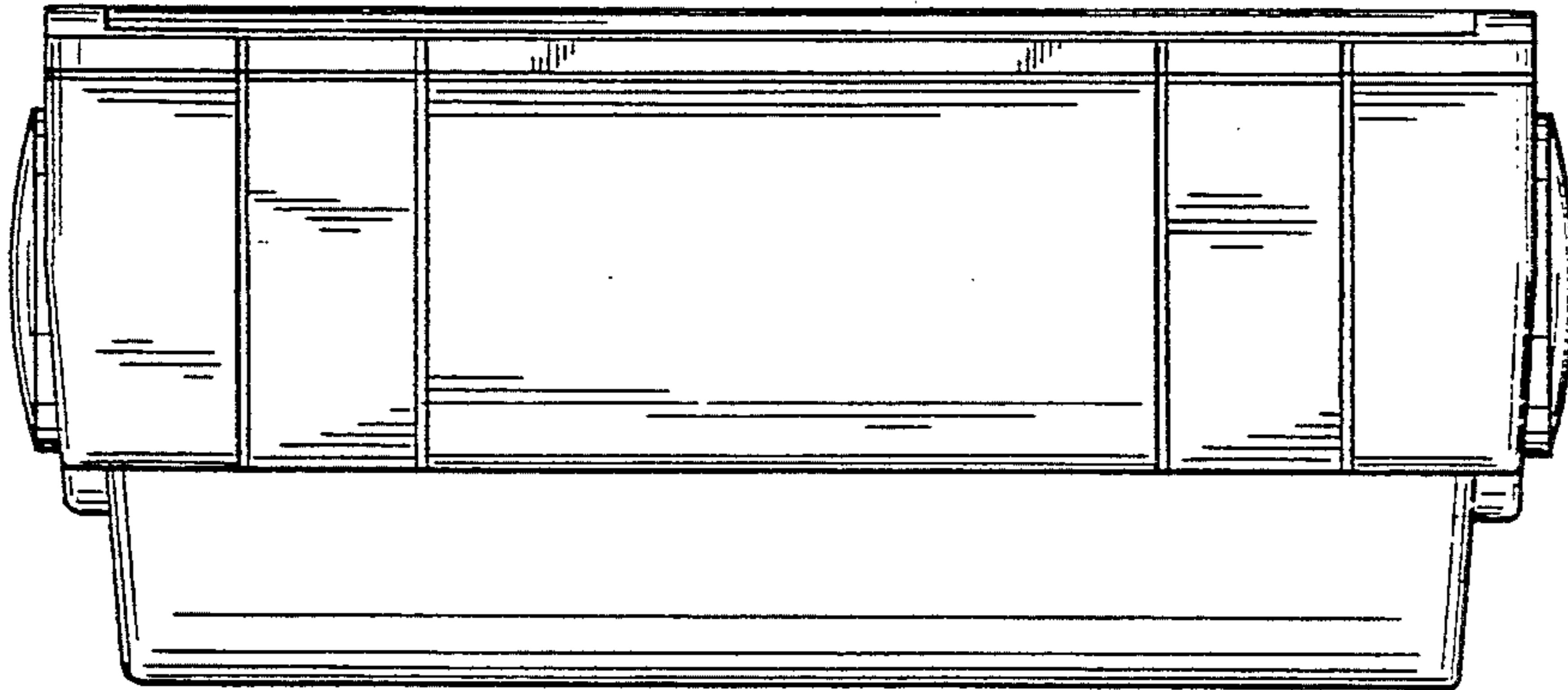


FIG. 3

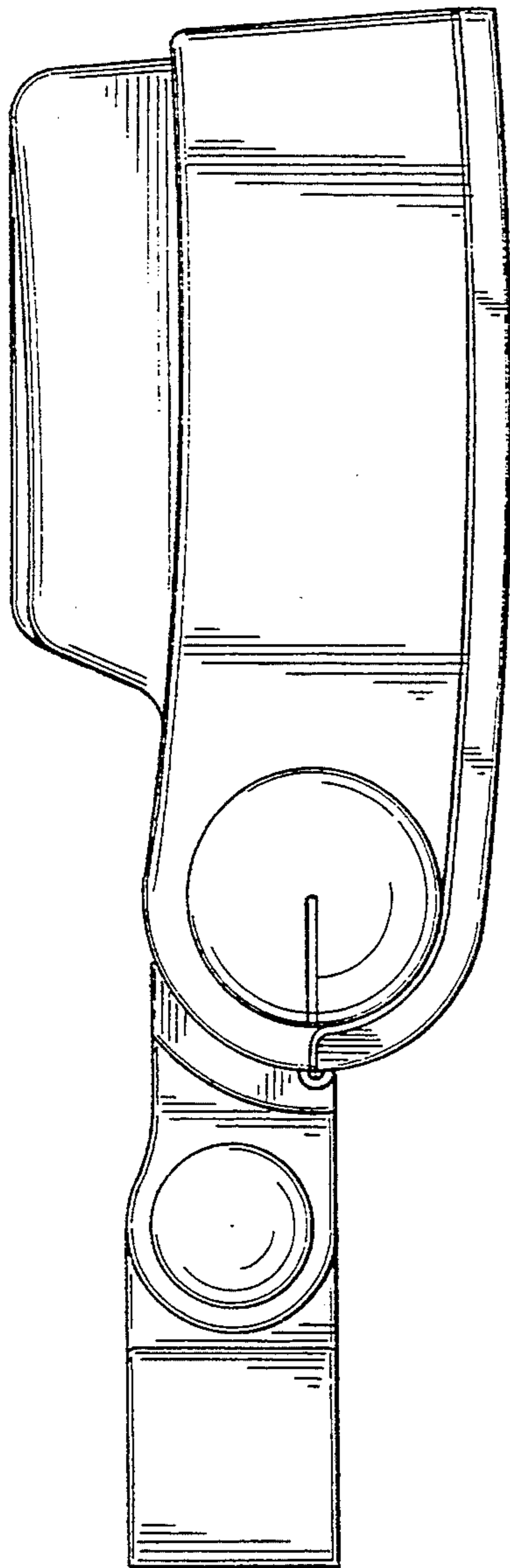


FIG. 5

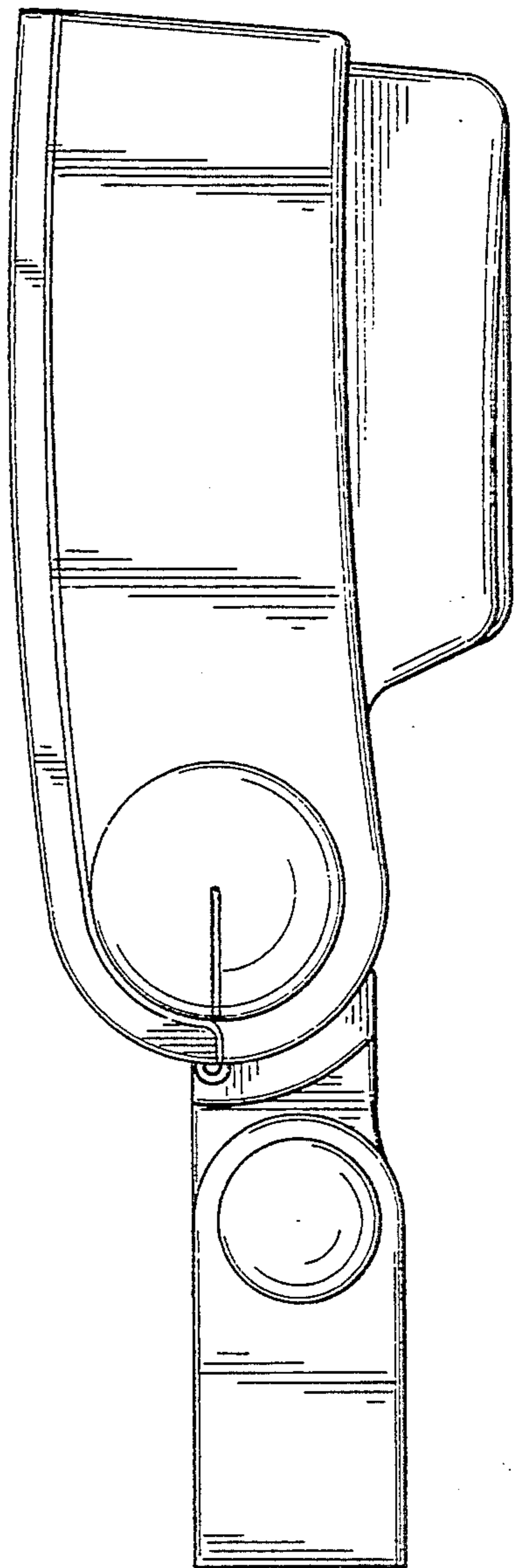


FIG. 6