



US00D357987S

United States Patent [19]

[11] Patent Number: **Des. 357,987**

Franson

[45] Date of Patent: **** May 2, 1995**

[54] WINDOW COMPONENT EXTRUSION

[56] References Cited

U.S. PATENT DOCUMENTS

[75] Inventor: **Jeffrey R. Franson, Kent, Wash.**

D. 342,796 12/1993 Cole D25/124
4,351,131 9/1982 Kubik 49/504

[73] Assignee: **Mikron Industries, Kent, Wash.**

Primary Examiner—Doris Clark
Attorney, Agent, or Firm—Seed & Berry

[**] Term: **14 Years**

[57] CLAIM

The ornamental design for a window component extrusion, as shown and described.

[21] Appl. No.: **18,494**

DESCRIPTION

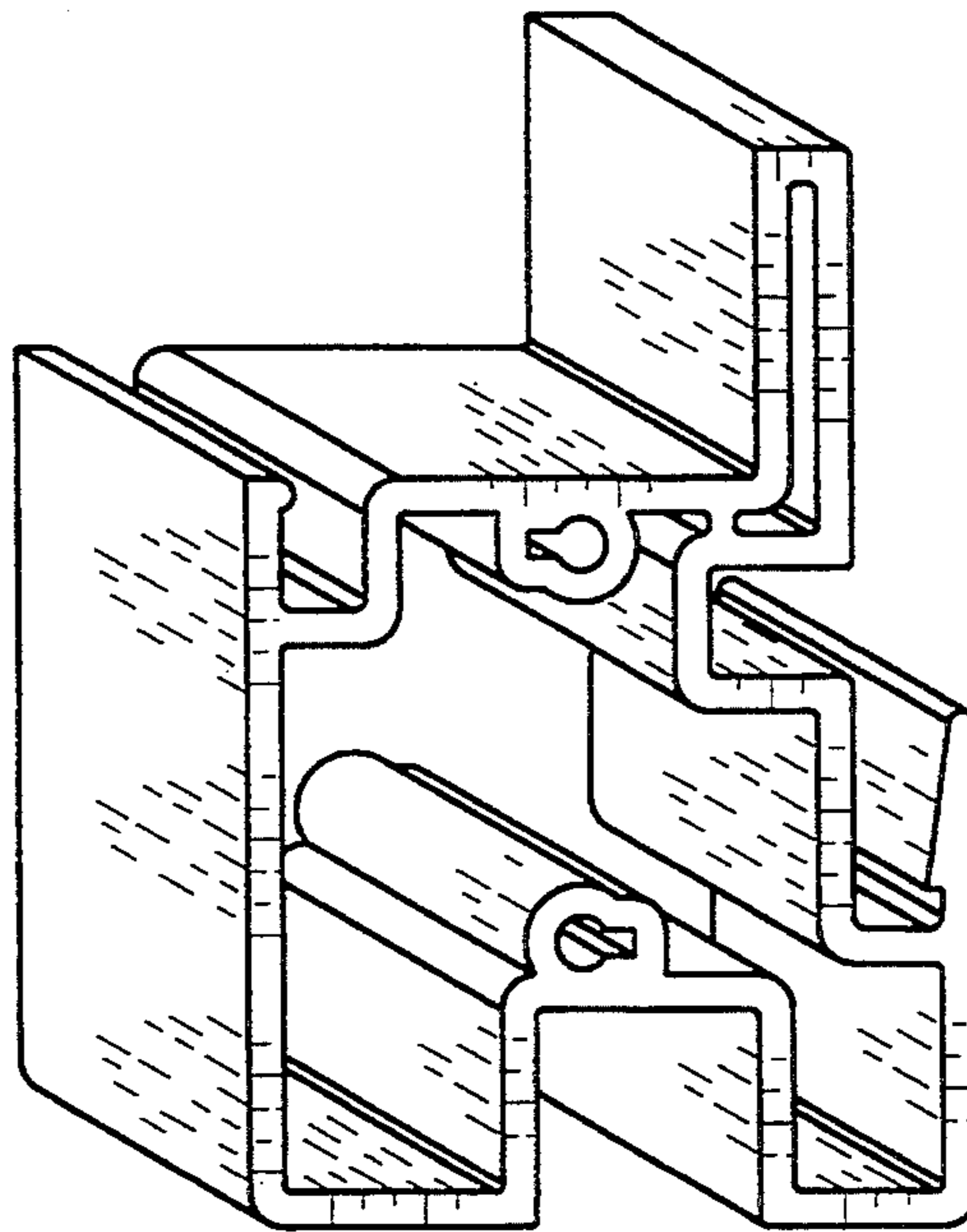
[22] Filed: **Feb. 8, 1994**

[52] U.S. Cl. **D25/124**

[58] Field of Search D25/52, 60, 124;
52/204.1, 205.1; 49/DIG. 1, DIG. 2, 504-505

FIG. 1 is a top right perspective view of a window component extrusion showing my new design, the window component extrusion being of indefinite length; and,

FIG. 2 is a bottom left perspective view thereof.



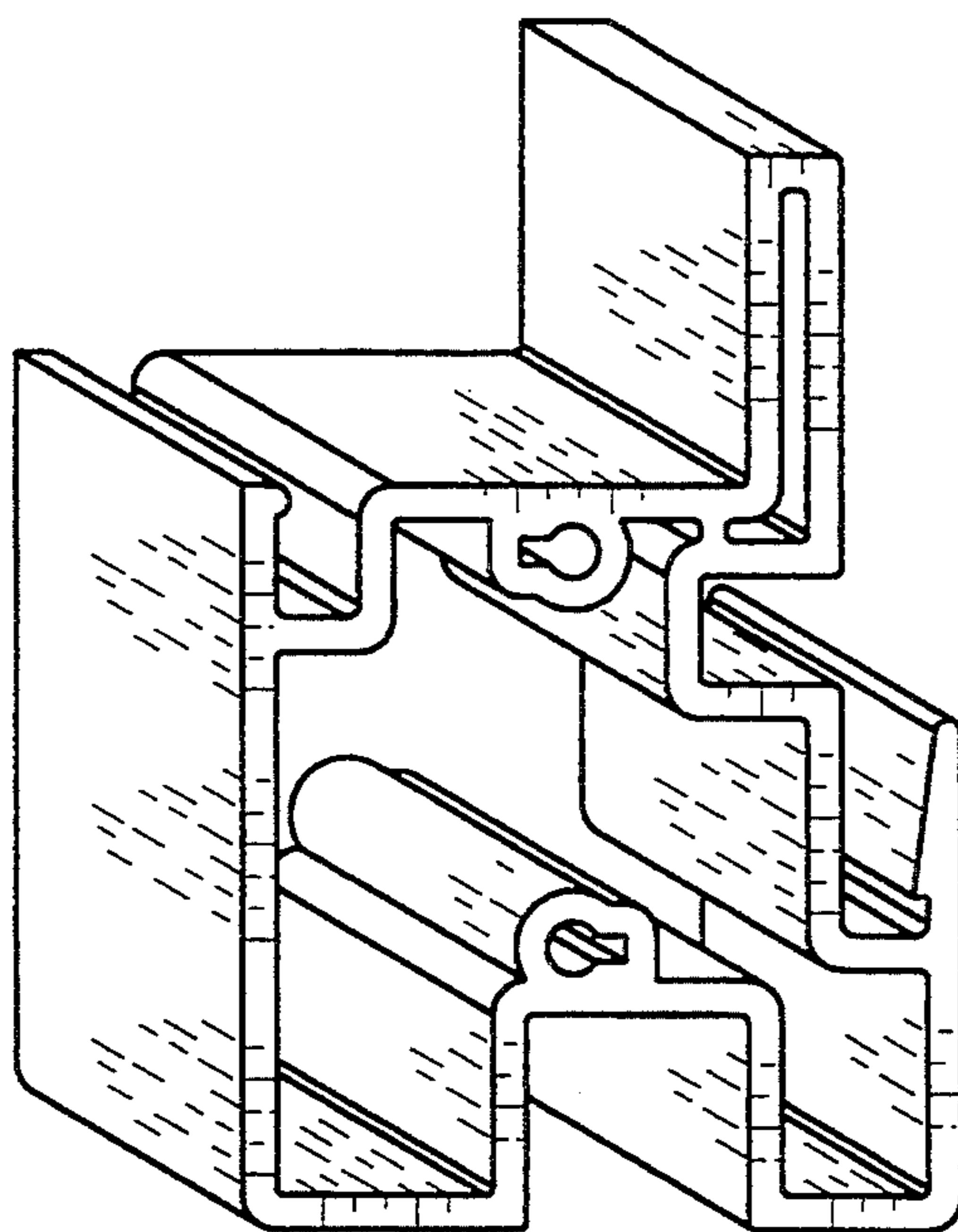


FIG. 1

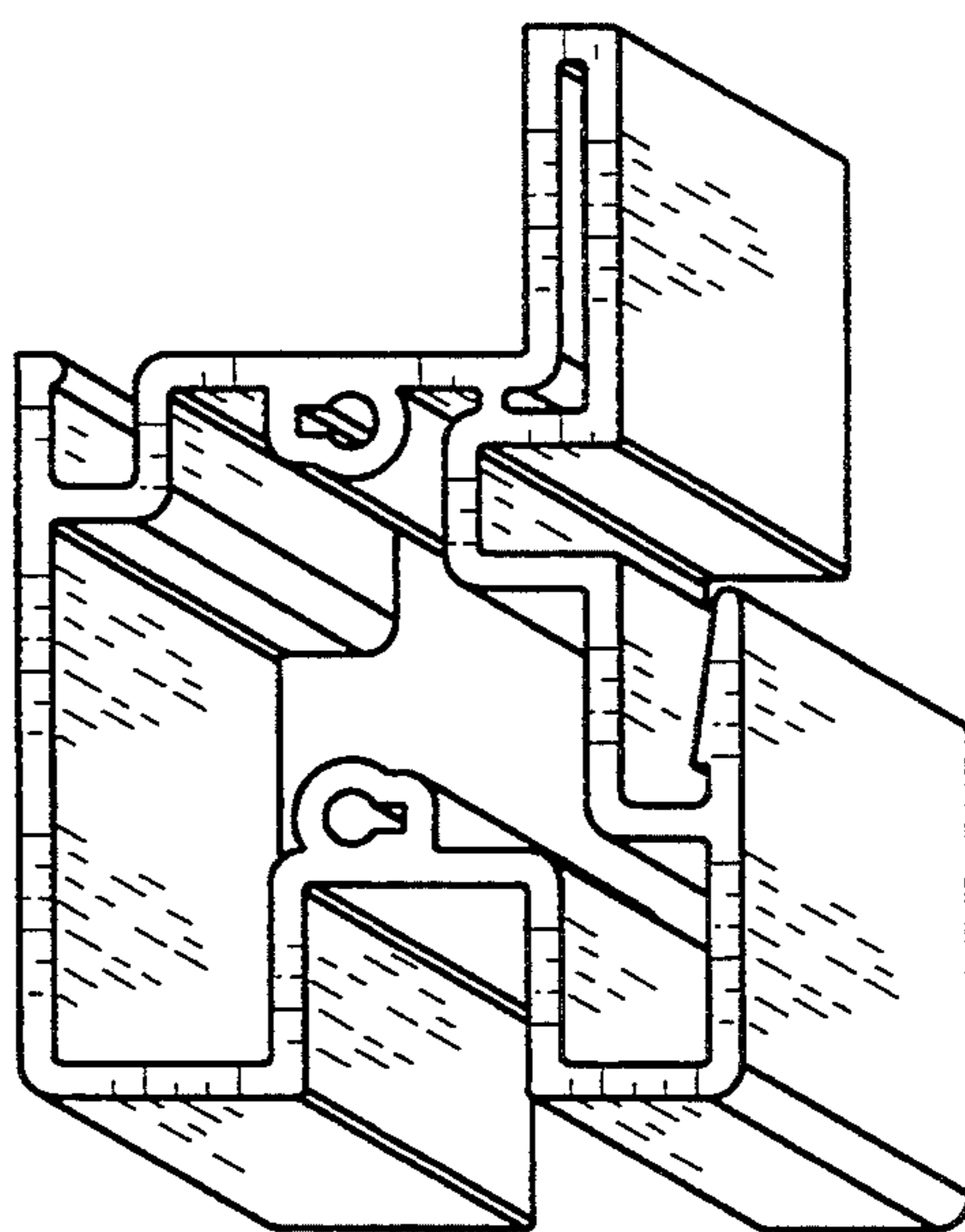


FIG. 2