



US00D357985S

United States Patent [19]

[11] Patent Number: **Des. 357,985**

Burns

[45] Date of Patent: **** May 2, 1995**

[54] MICROCOLLECTION TUBE	4,769,335 9/1988 Schmidt et al. 422/102 X
[75] Inventor: James A. Burns, Elizabeth, N.J.	5,038,794 8/1991 Van Valkenburg 128/763
[73] Assignee: Becton Dickinson and Company, Franklin Lakes, N.J.	5,038,958 8/1991 Dreier D24/224
	5,071,766 12/1991 Barr et al. 422/102 X
	5,257,984 11/1993 Kelly 128/764
	5,288,466 2/1994 Burns 128/102

[*] Notice: The portion of the term of this patent subsequent to Mar. 21, 2009 has been disclaimed.

Primary Examiner—A. Hugo Word
Assistant Examiner—I. Simmons
Attorney, Agent, or Firm—Nanette S. Thomas

[**] Term: **14 Years**

[57] **CLAIM**

[21] Appl. No.: **8,862**

The ornamental design for a microcollection tube, as shown and described.

[22] Filed: **May 27, 1993**

DESCRIPTION

[52] U.S. Cl. **D24/224**

[58] Field of Search D24/224; 422/102, 61, 422/58, 215, 103, 104; 436/296, 45, 165, 808, 809; 128/763, 764, 761

FIG. 1 is a top and front perspective view of a microcollection tube showing my new design;
FIG. 2 is a top plan view thereof;
FIG. 3 is a front elevational view thereof, the rear elevational view being identical thereto;
FIG. 4 is a side elevational view thereof, the opposite side elevational being identical thereto;
FIG. 5 is a bottom plan view thereof; and,
FIG. 6 is a top and front perspective view thereof, with the cap removed.

[56] **References Cited**

U.S. PATENT DOCUMENTS

D. 310,264	8/1990	Leoncavallo et al.	D24/224
D. 315,680	3/1991	Baxter	D24/224 X
3,190,731	6/1985	Weiskopf	422/102
3,706,306	12/1972	Berger et al.	422/102 X

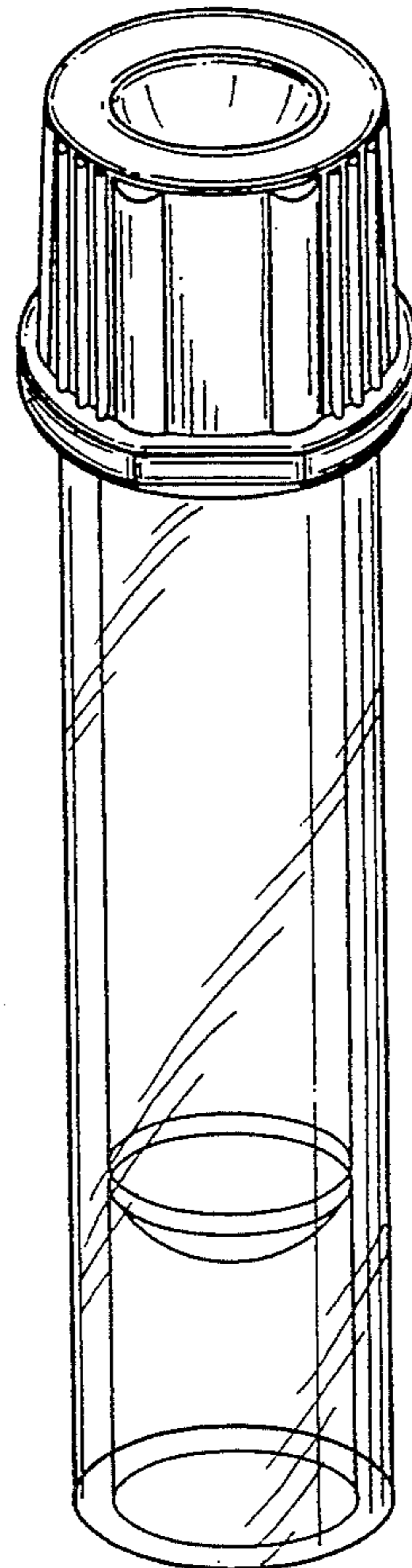


FIG-1

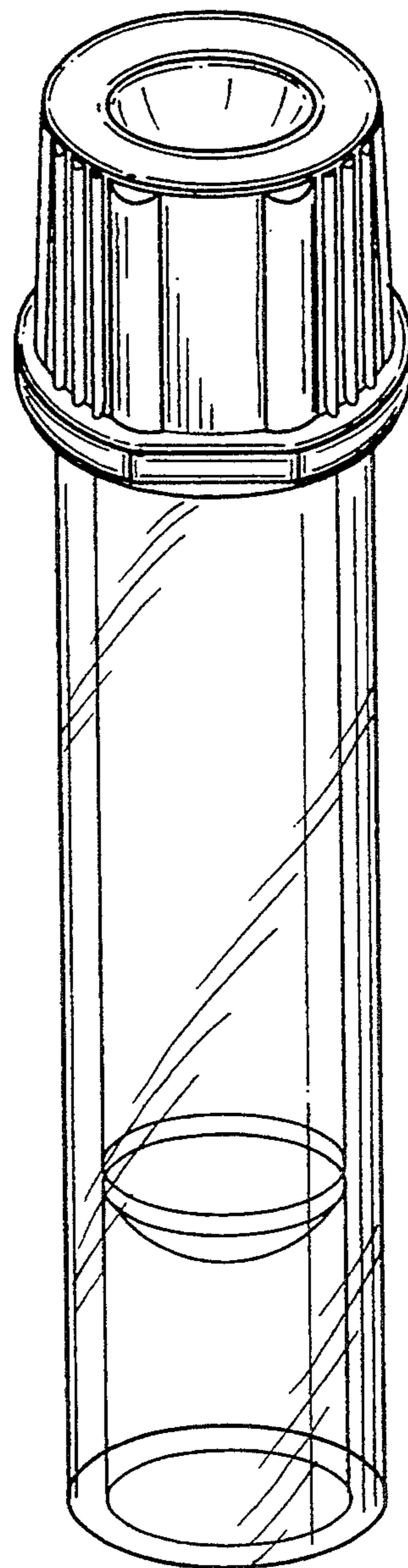


FIG-2

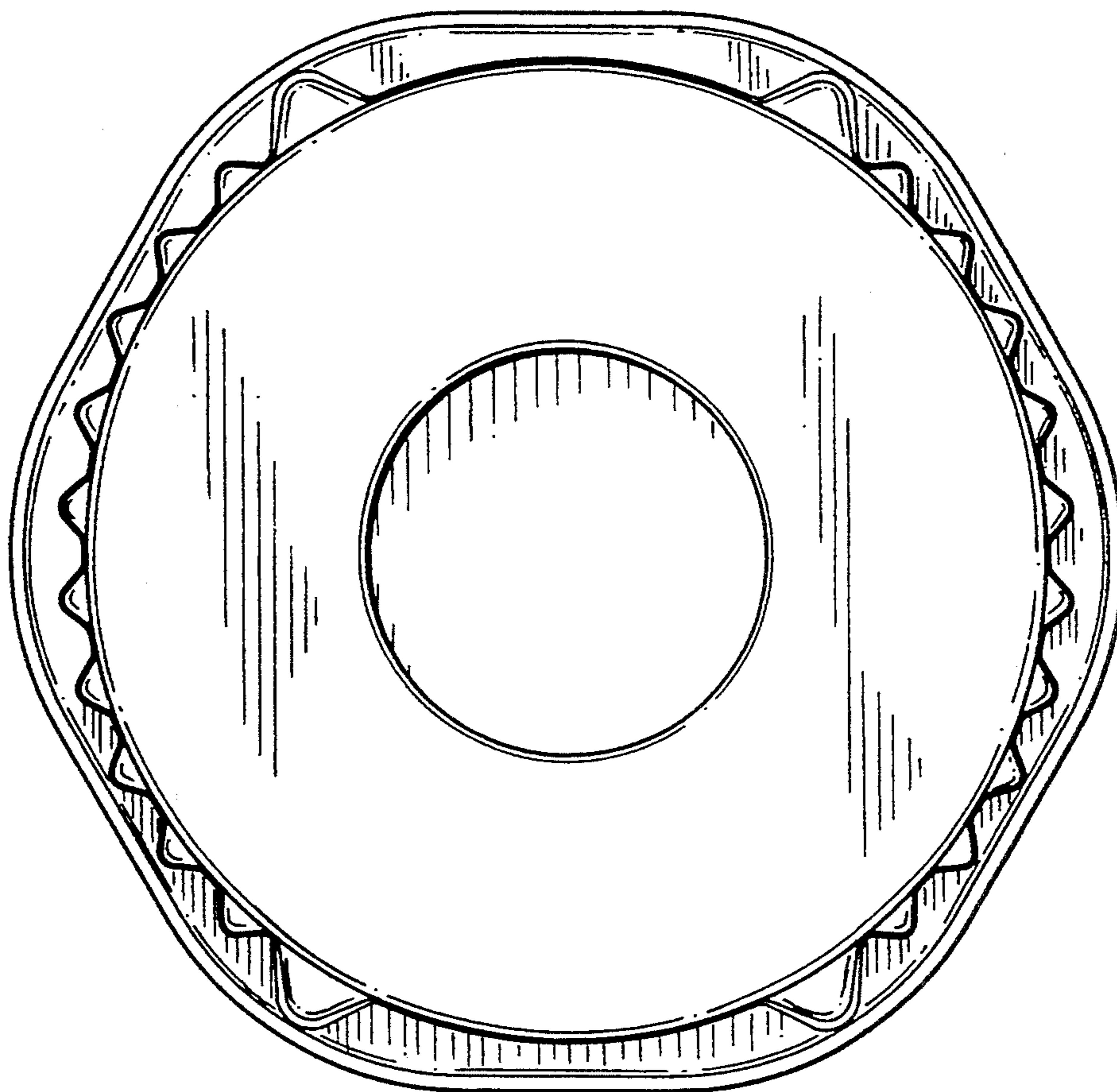


FIG-3

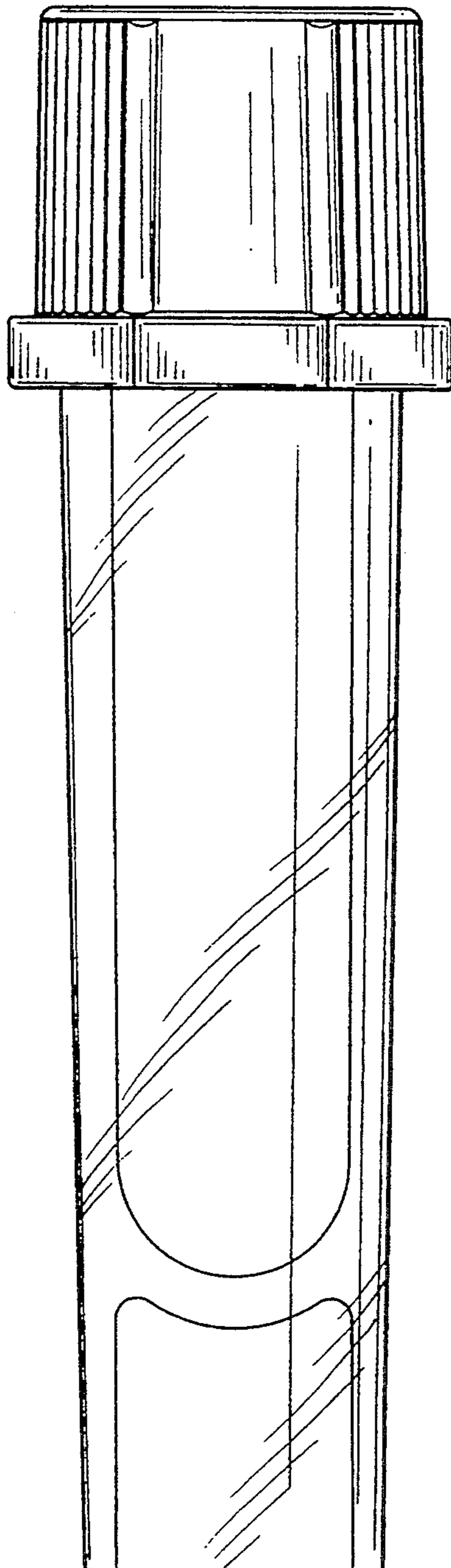


FIG-4

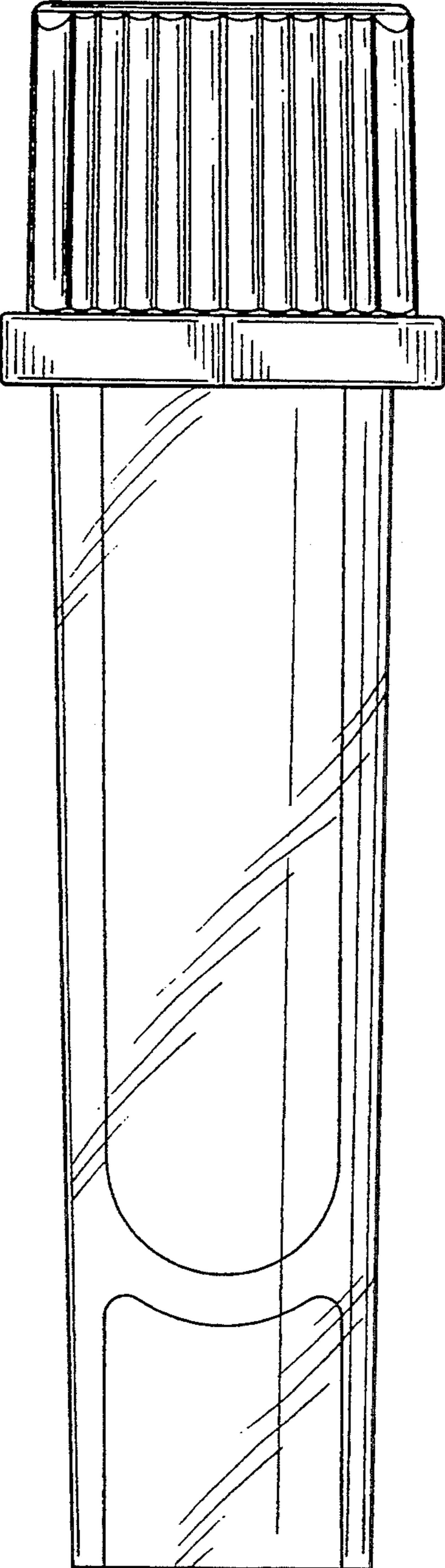


FIG-5

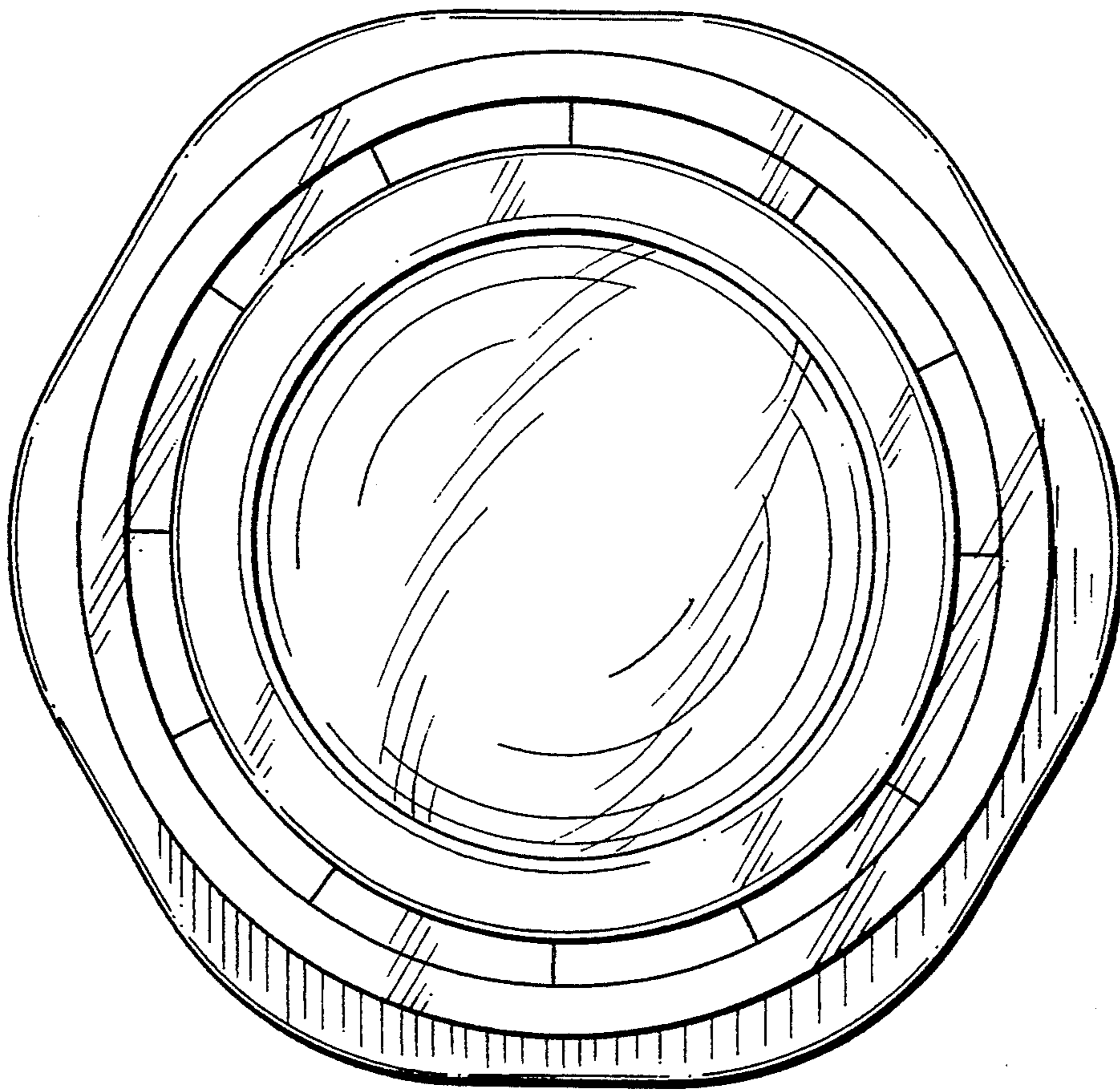


FIG-6

