



US00D357982S

United States Patent [19]

[11] Patent Number: **Des. 357,982**

Dahl et al.

[45] Date of Patent: **** May 2, 1995**

[54] **MEDICAL MONITOR**

D. 328,645 8/1992 Rogler et al. D24/186
4,724,844 2/1988 Rafelson 128/670

[75] Inventors: **James M. Dahl**, Woodinville; **Robert B. Hubler**, Seattle, both of Wash.

Primary Examiner—Stella Reid
Attorney, Agent, or Firm—Seed and Berry

[73] Assignee: **SpaceLabs Medical, Inc.**, Redmond, Wash.

[57] **CLAIM**

[**] Term: **14 Years**

The ornamental design for a medical monitor, as shown and described.

[21] Appl. No.: **17,741**

DESCRIPTION

[22] Filed: **Jan. 21, 1994**

[52] U.S. Cl. **D24/186**

[58] Field of Search D24/186; 128/630, 668, 128/670, 671, 696-715; D10/46, 75

FIG. 1 is an isometric view of a medical monitor showing our new design;

FIG. 2 is a front elevation view thereof;

FIG. 3 is a right side elevational view thereof which, since the medical monitor is laterally symmetrical, is also representative of the left side thereof;

FIG. 4 is a top plan view thereof;

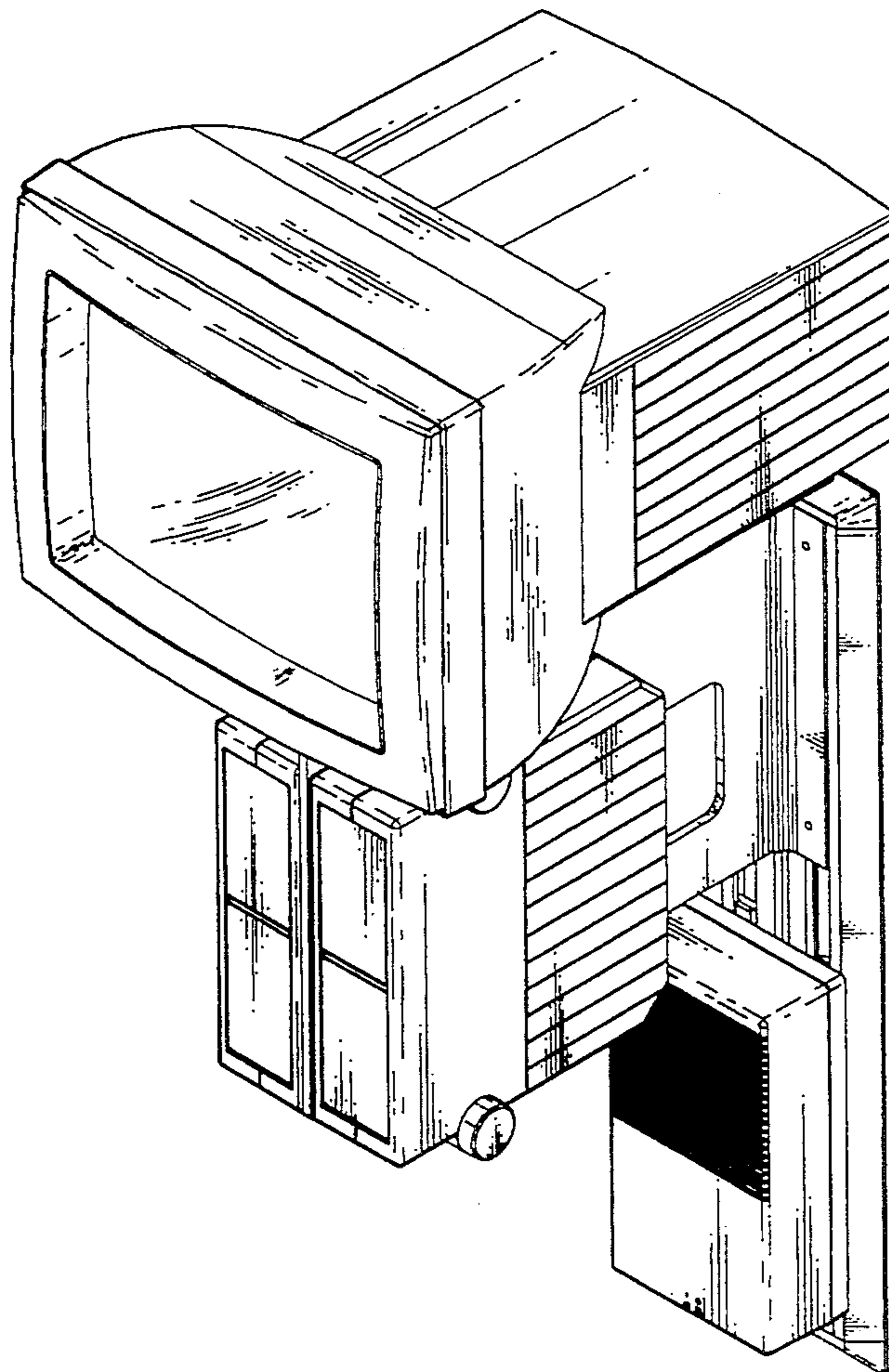
FIG. 5 is a bottom plan view thereof; and,

FIG. 6 is a rear elevation view thereof.

[56] **References Cited**

U.S. PATENT DOCUMENTS

D. 296,240 6/1988 Albright et al. D24/186
D. 328,133 7/1992 Kaufman et al. D24/186



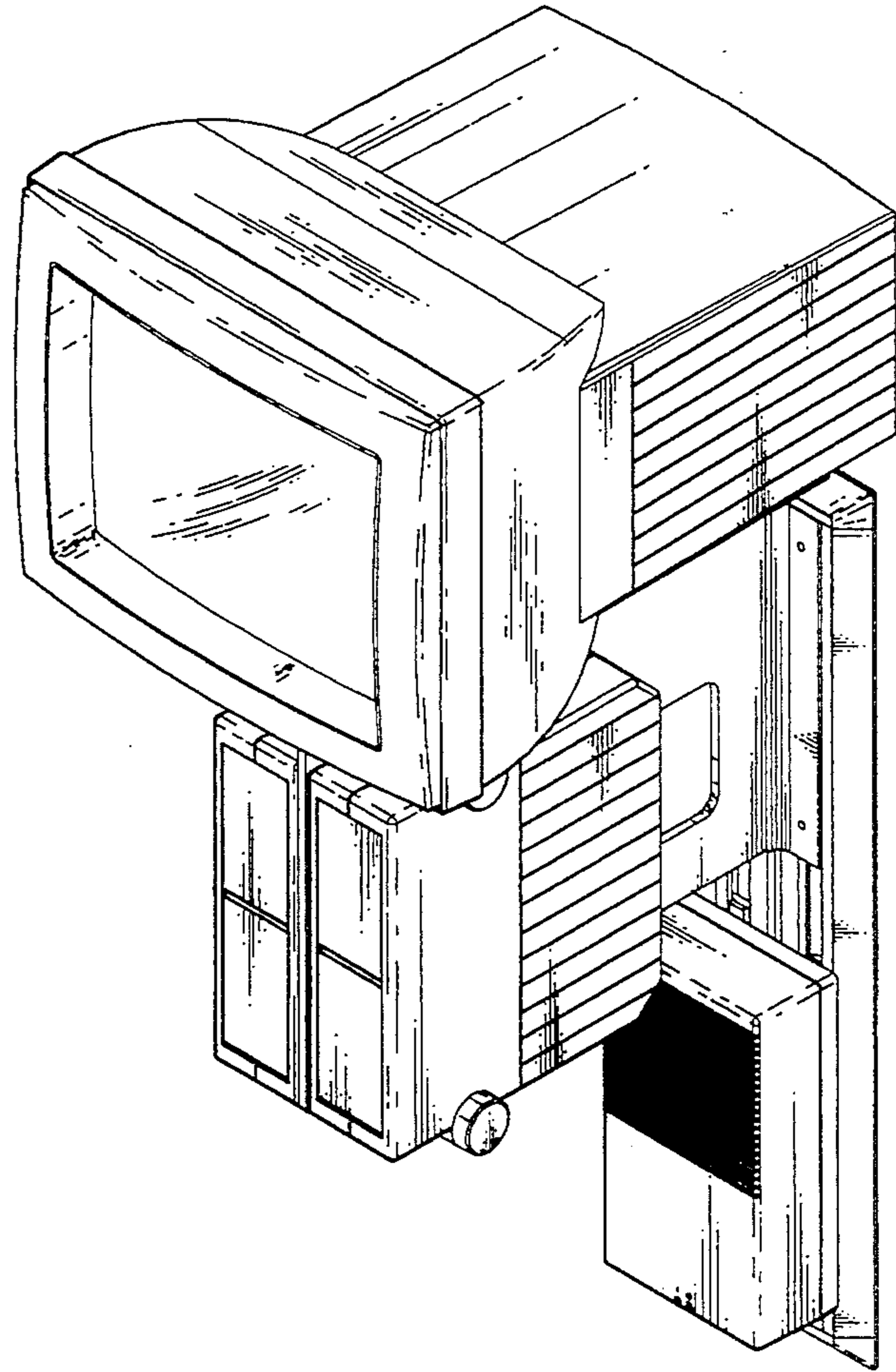


Figure 1

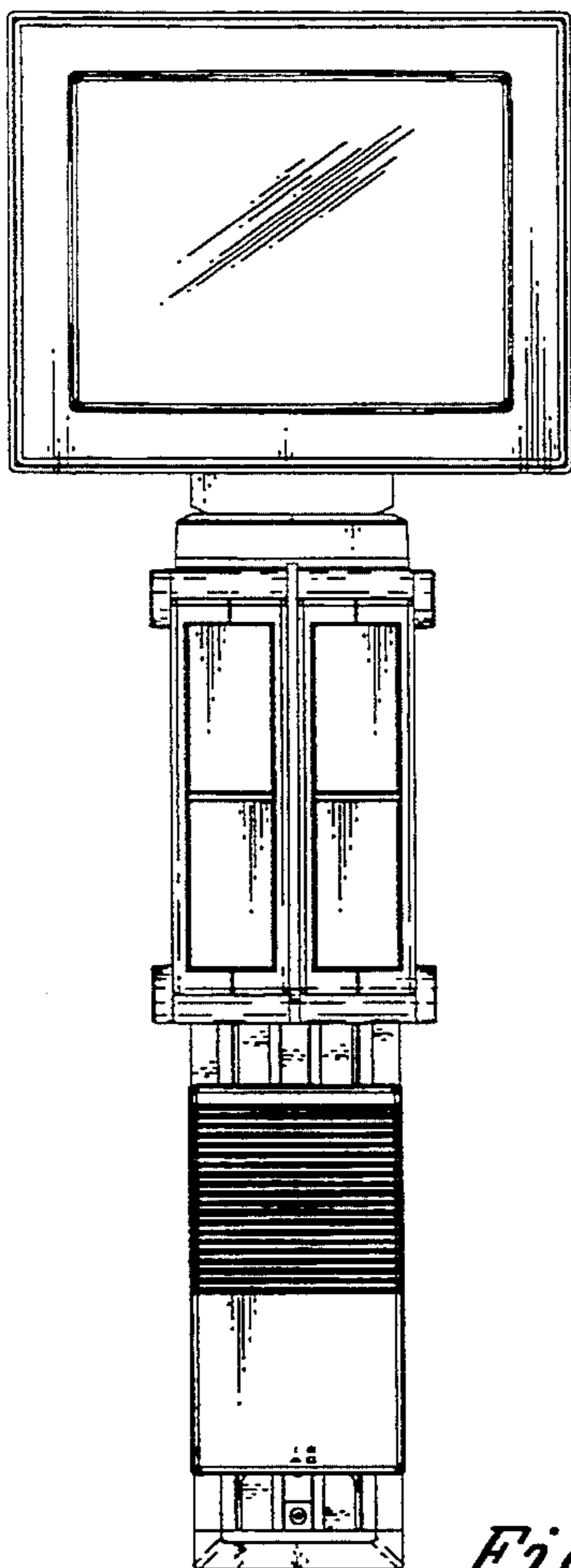


Figure 2

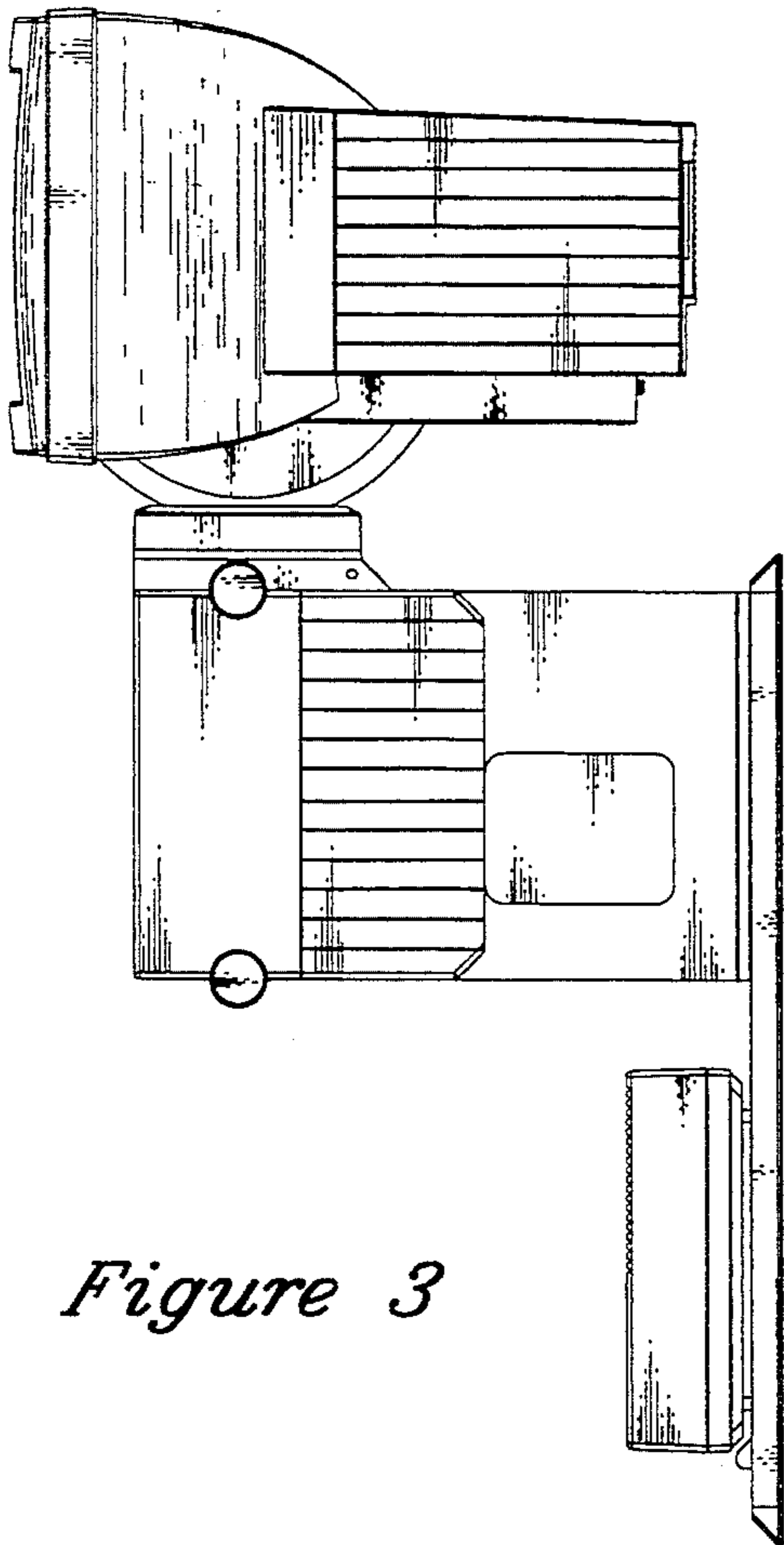


Figure 3

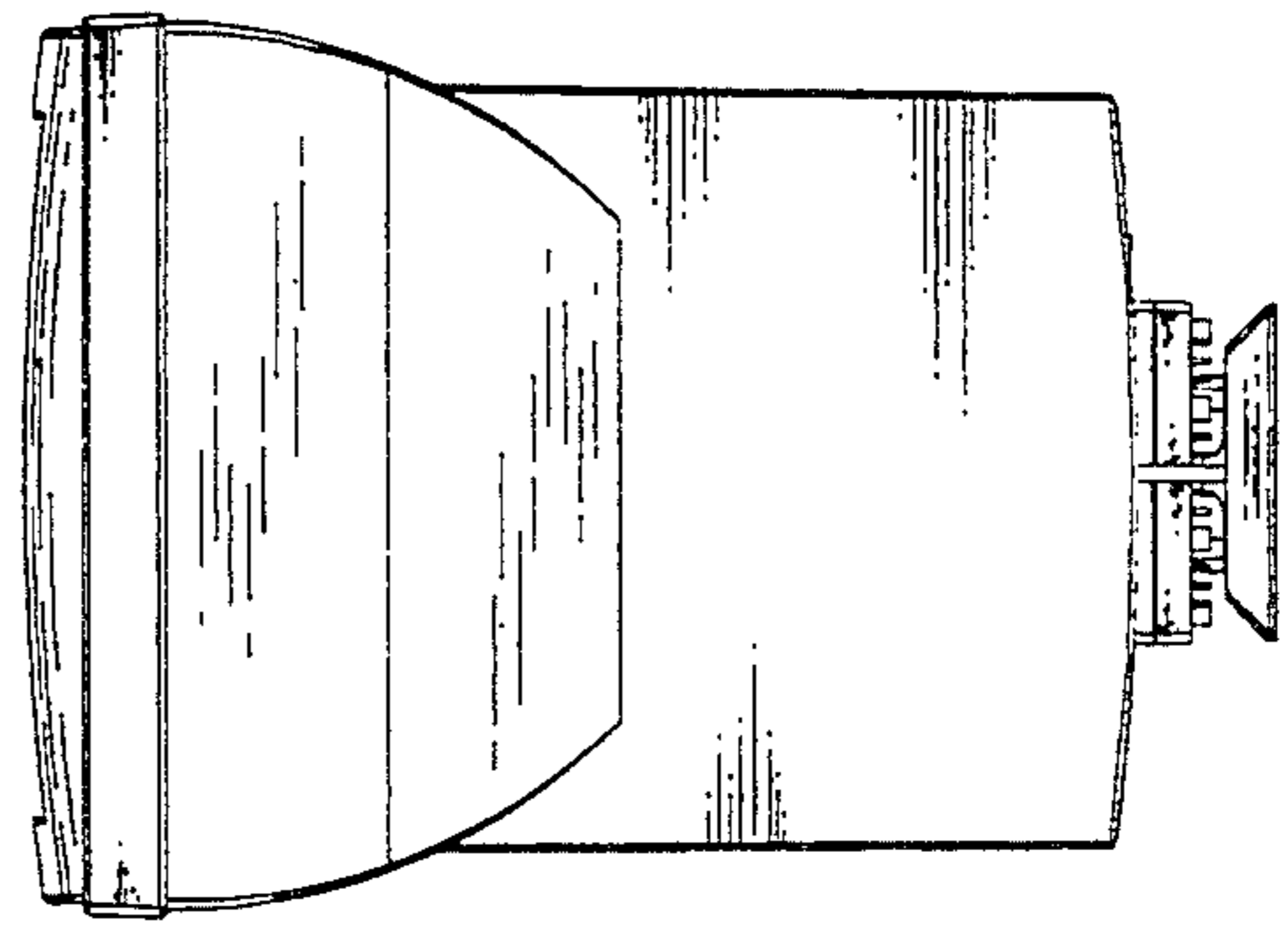


Figure 4

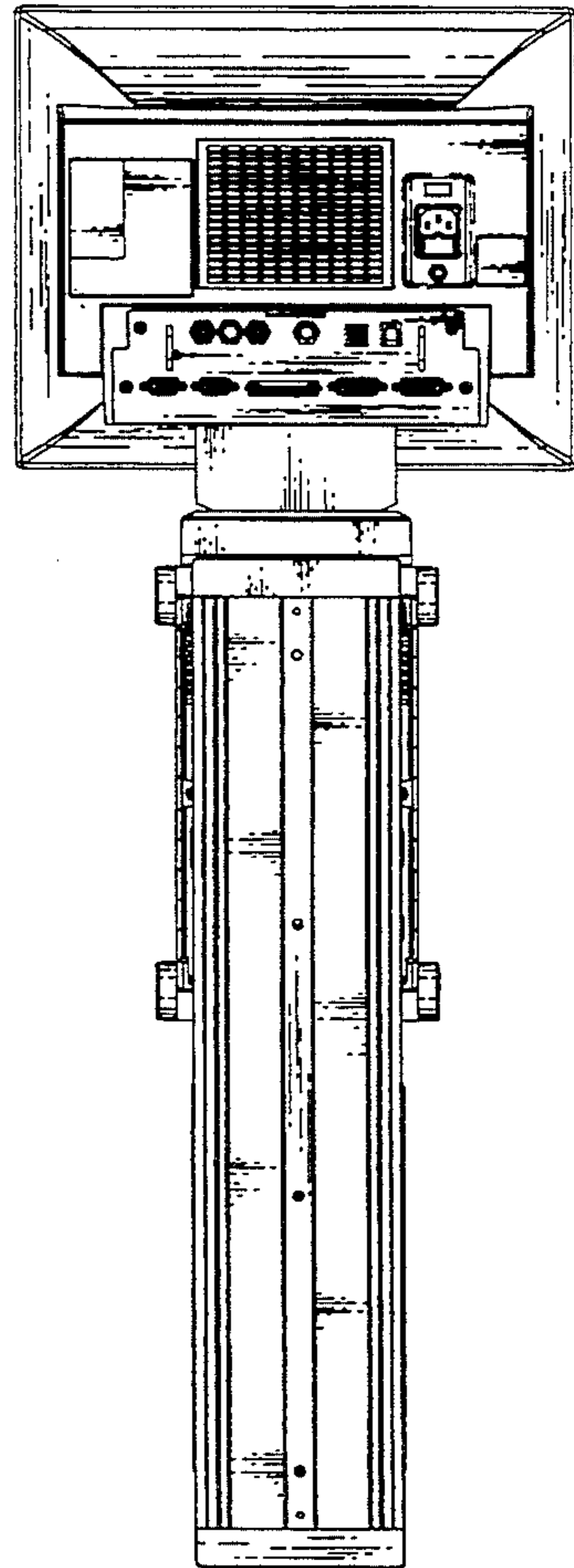


Figure 6

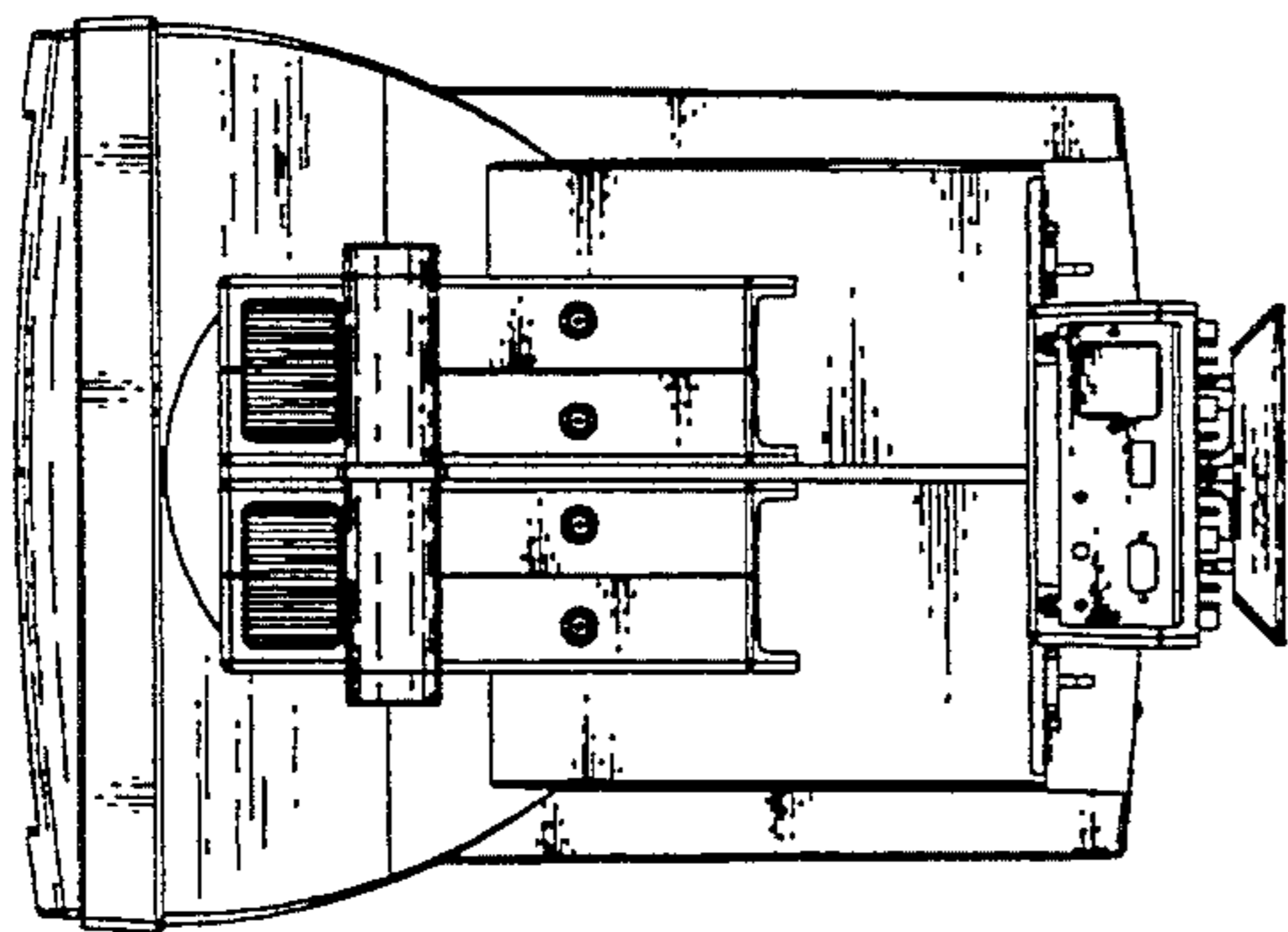


Figure 5