



US00D357979S

United States Patent [19]

[11] Patent Number: **Des. 357,979**

Evans et al.

[45] Date of Patent: **** May 2, 1995**

[54] **COMBINED MALE URINAL AND URINE CONTAINER**

[76] Inventors: **Oneita A. Evans; Otho N. Evans**, both of 5477 Old Byram Rd., Jackson, Miss. 39212

[**] Term: **14 Years**

[21] Appl. No.: **10,103**

[22] Filed: **Jun. 29, 1993**

[52] U.S. Cl. **D24/122**

[58] Field of Search **D24/121, 122; D9/560, D9/536, 531; 41/144.1, 144.2, 144.3, 144.4; 128/762, 760, 761, 776; 604/329, 328, 331, 349, 346, 347, 348, 349**

[56] **References Cited**

U.S. PATENT DOCUMENTS

D. 212,516	10/1968	Beich	D24/122
D. 220,413	4/1971	Pesce	D24/122 X
D. 237,587	11/1975	Yukimitsu	D9/560 X
3,479,671	11/1969	Beich	4/144.1

4,020,843	5/1977	Kanall	4/144.3 X
4,121,306	10/1978	Bringman et al.	128/762
4,270,231	6/1981	Zint	604/349 X
4,819,280	4/1989	Rickard	4/301
4,994,051	2/1991	Walsh	604/349
5,285,532	2/1994	Sealy	4/144.1 X

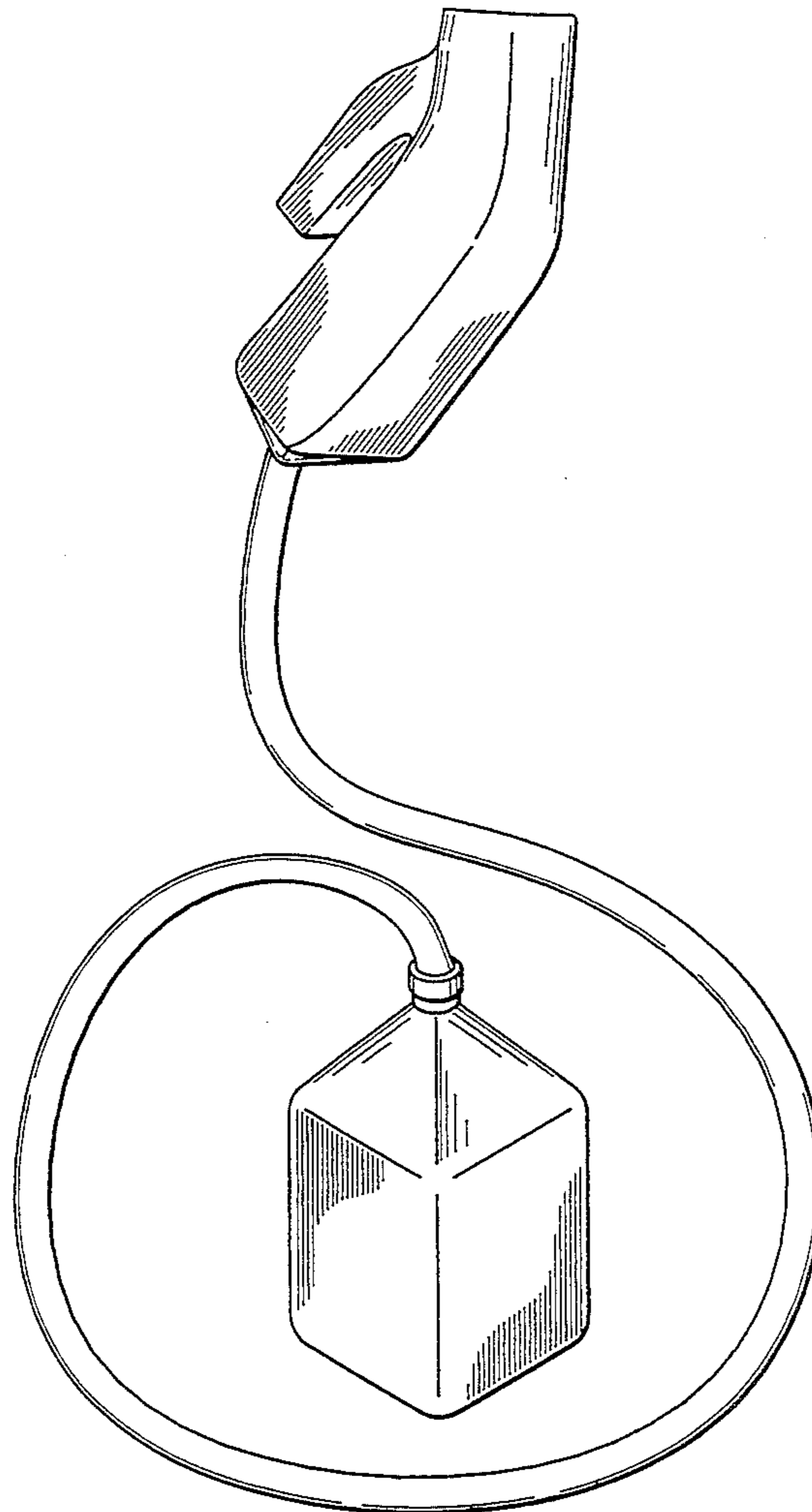
Primary Examiner—A. Hugo Word
Assistant Examiner—I. Simmons
Attorney, Agent, or Firm—David L. Baker; Rhodes & Ascolillo

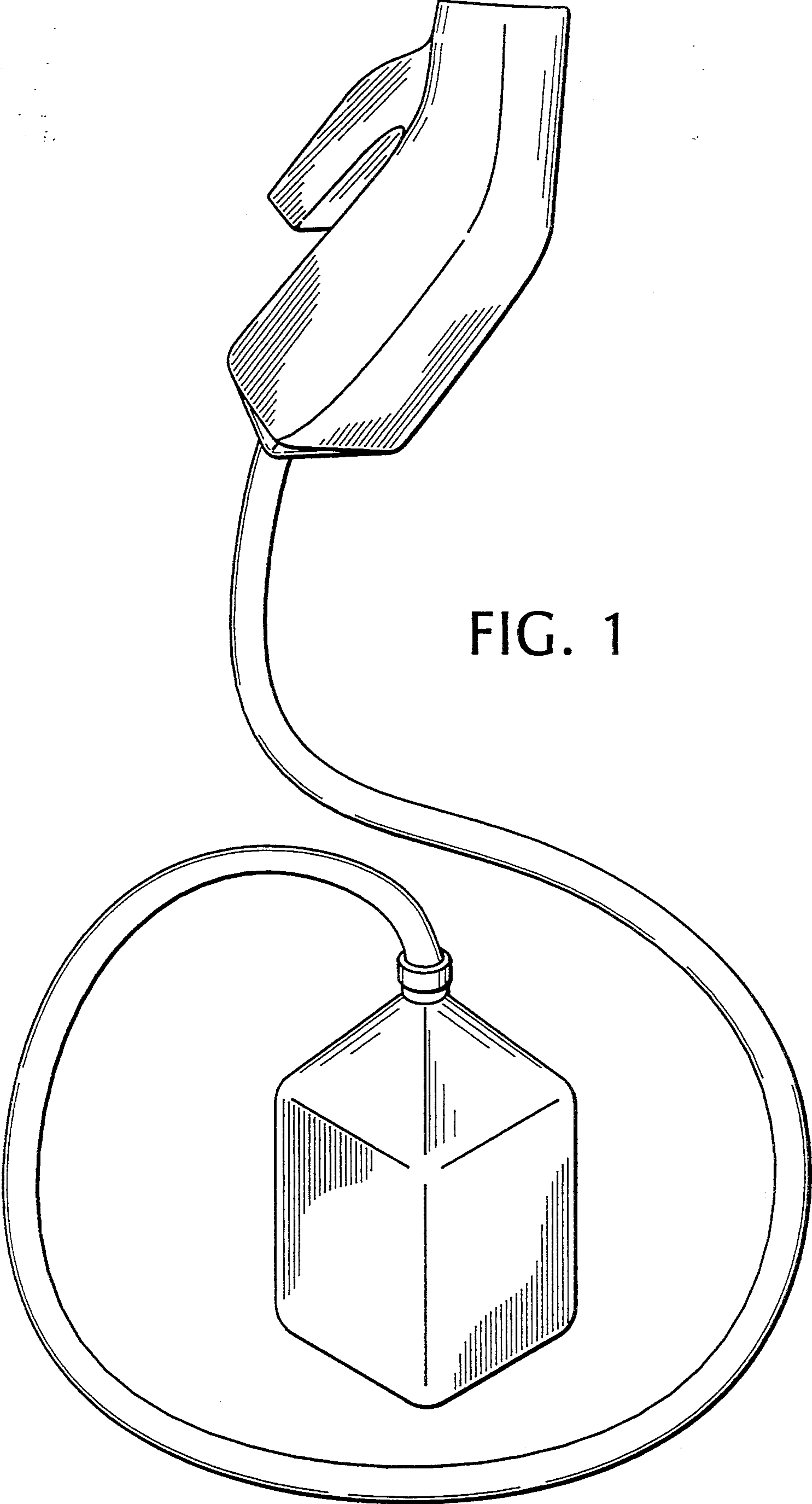
[57] **CLAIM**

The ornamental design for a combined male urinal and urine container, as shown.

DESCRIPTION

FIG. 1 is a perspective view of a combined male urinal and urine container showing our new design therefor; FIG. 2 is a top plan view; FIG. 3 is a front elevational view; FIG. 4 is a left side elevational view; FIG. 5 is a rear elevational view; FIG. 6 is a right side elevational view; and, FIG. 7 is a bottom plan view.





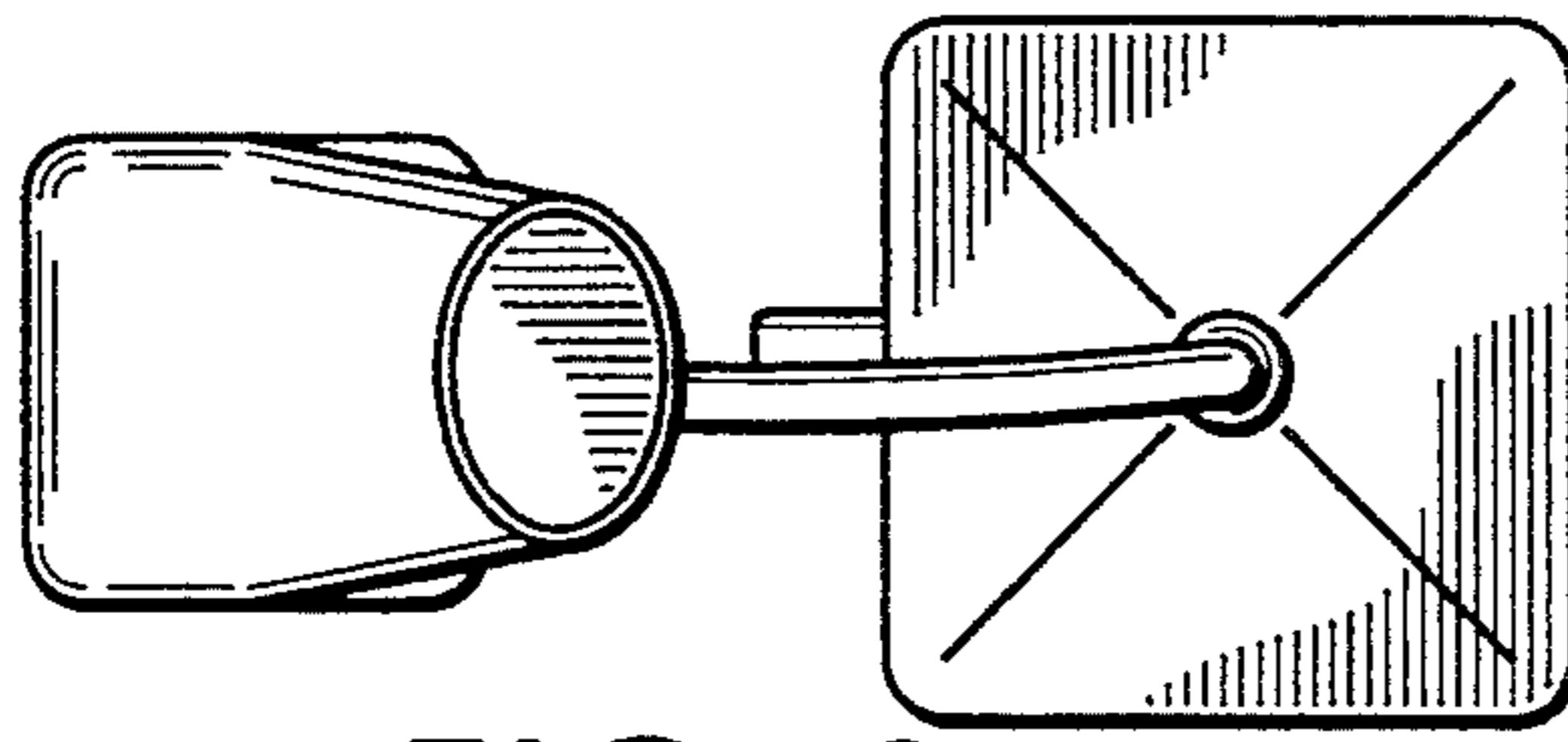


FIG. 2

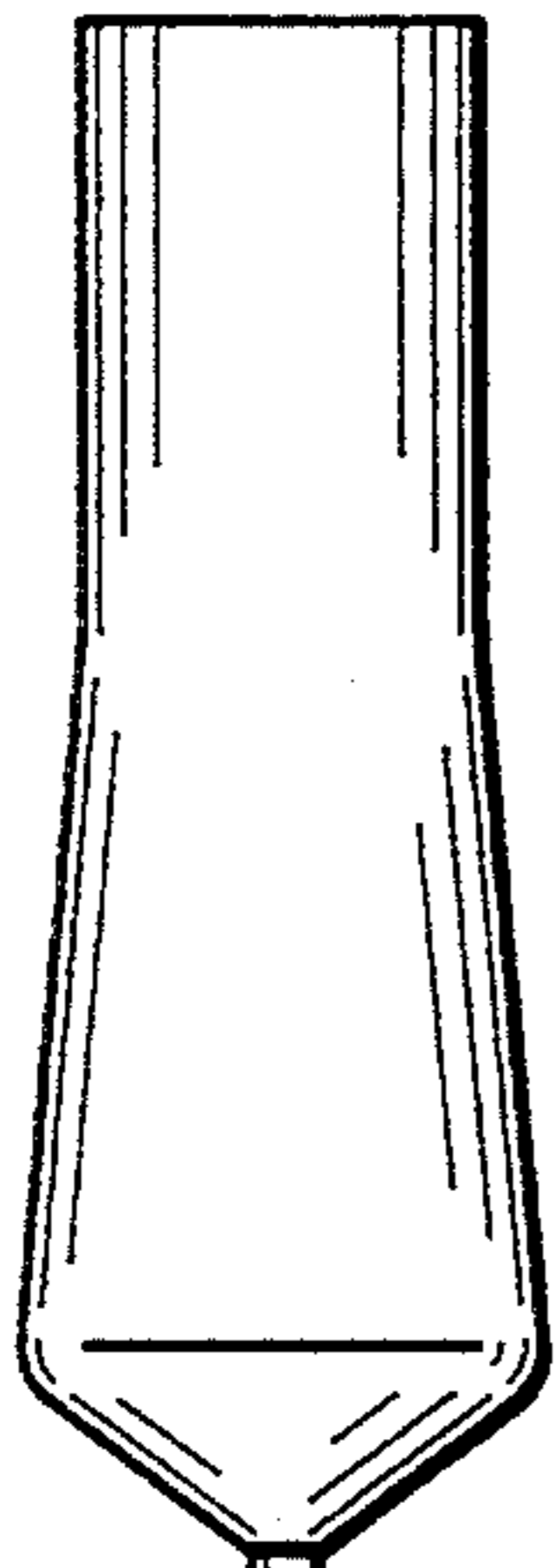


FIG. 3

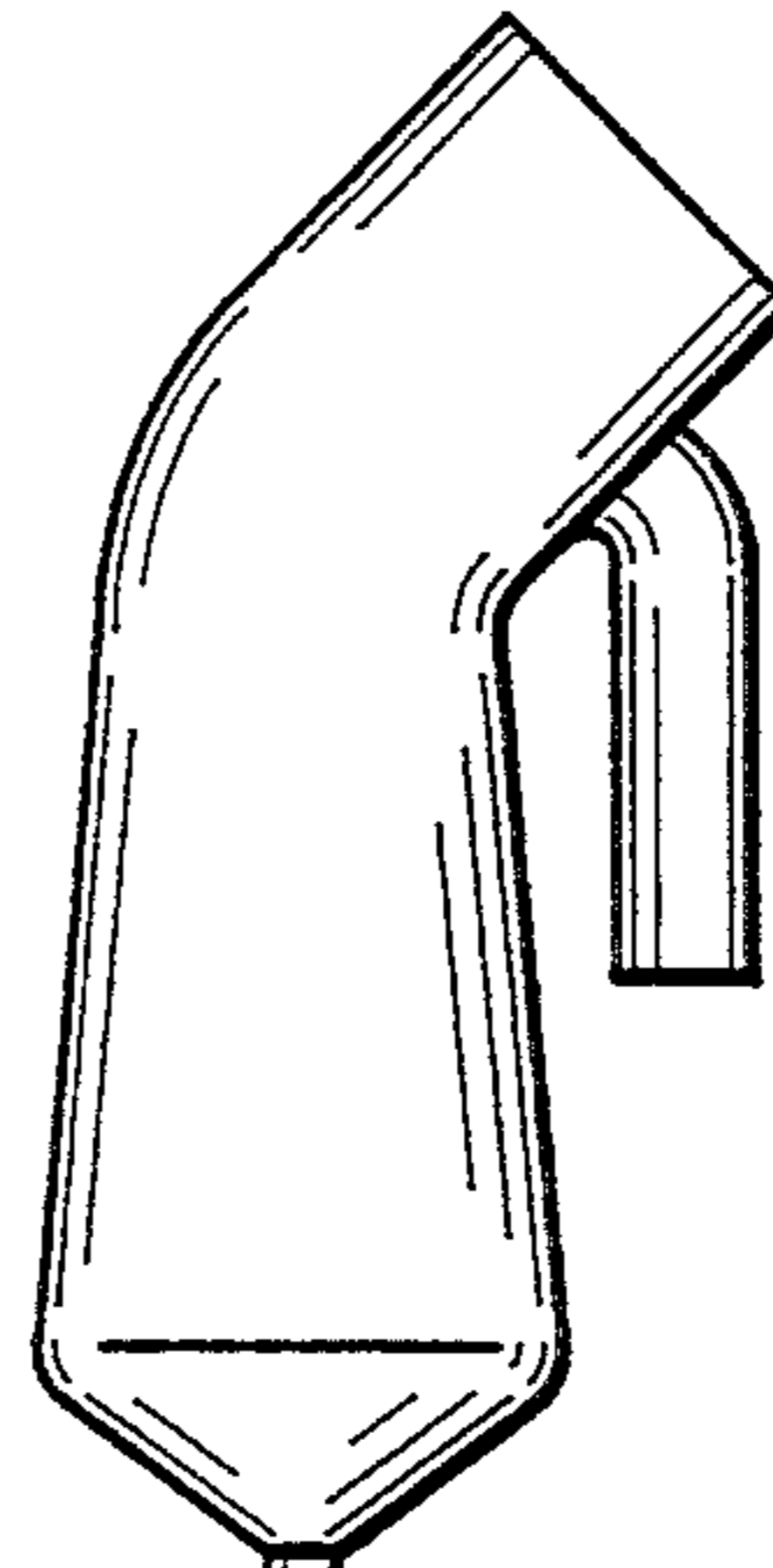
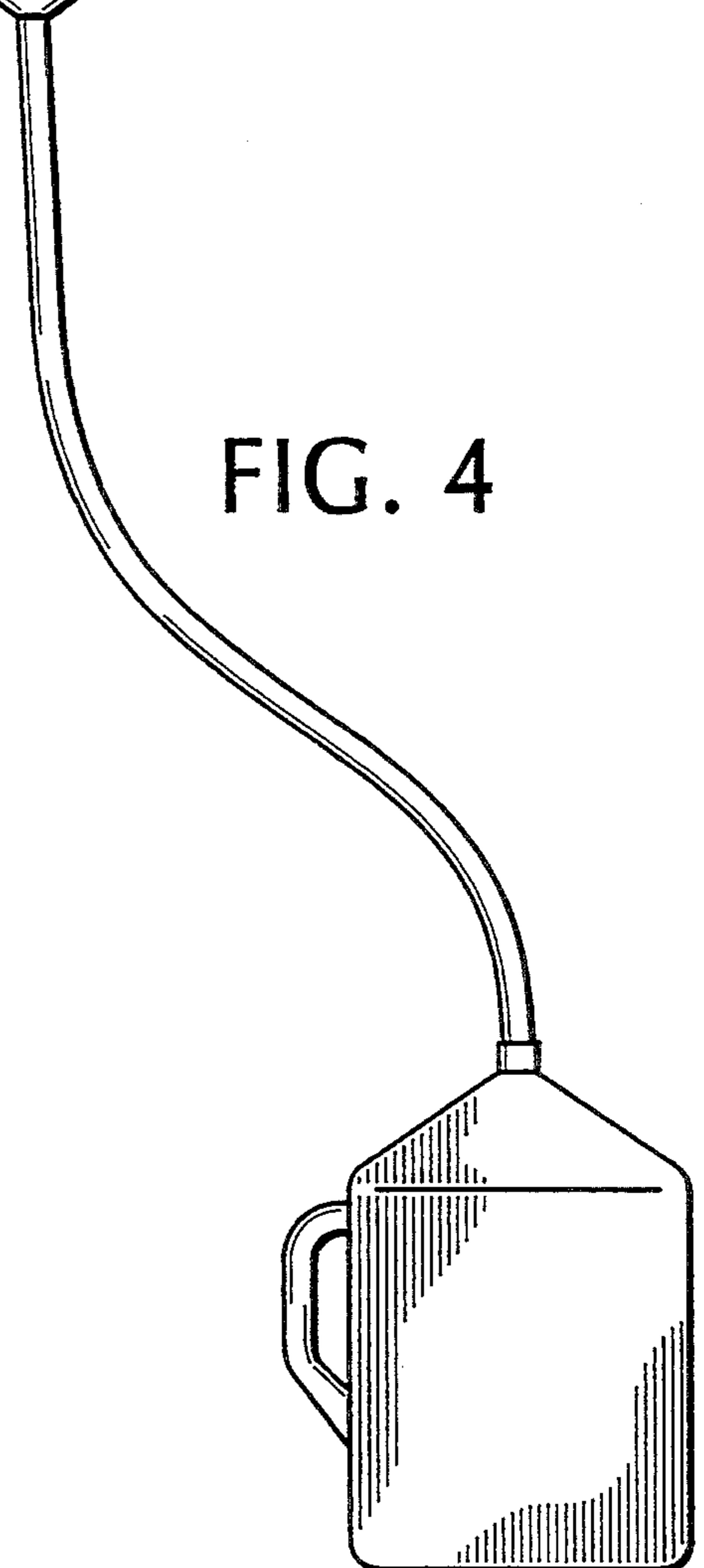
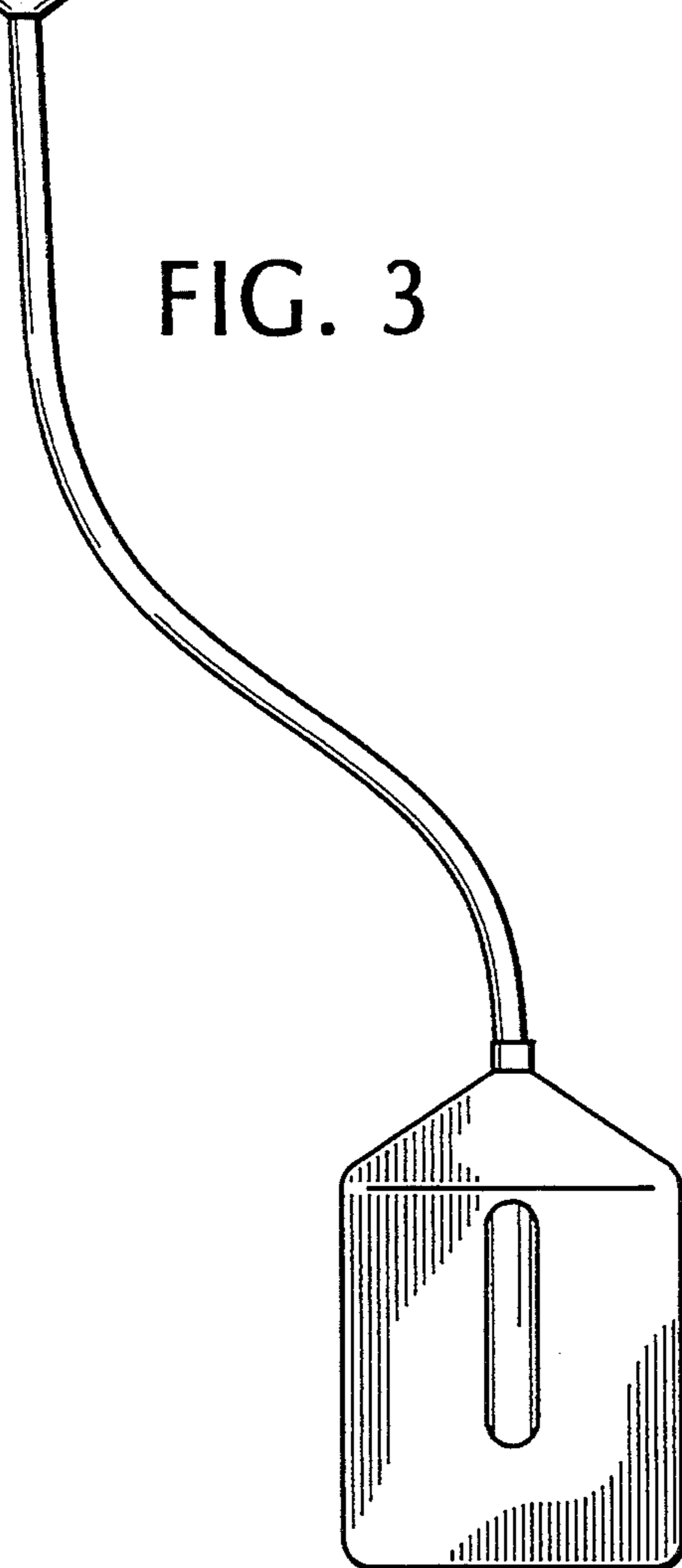


FIG. 4



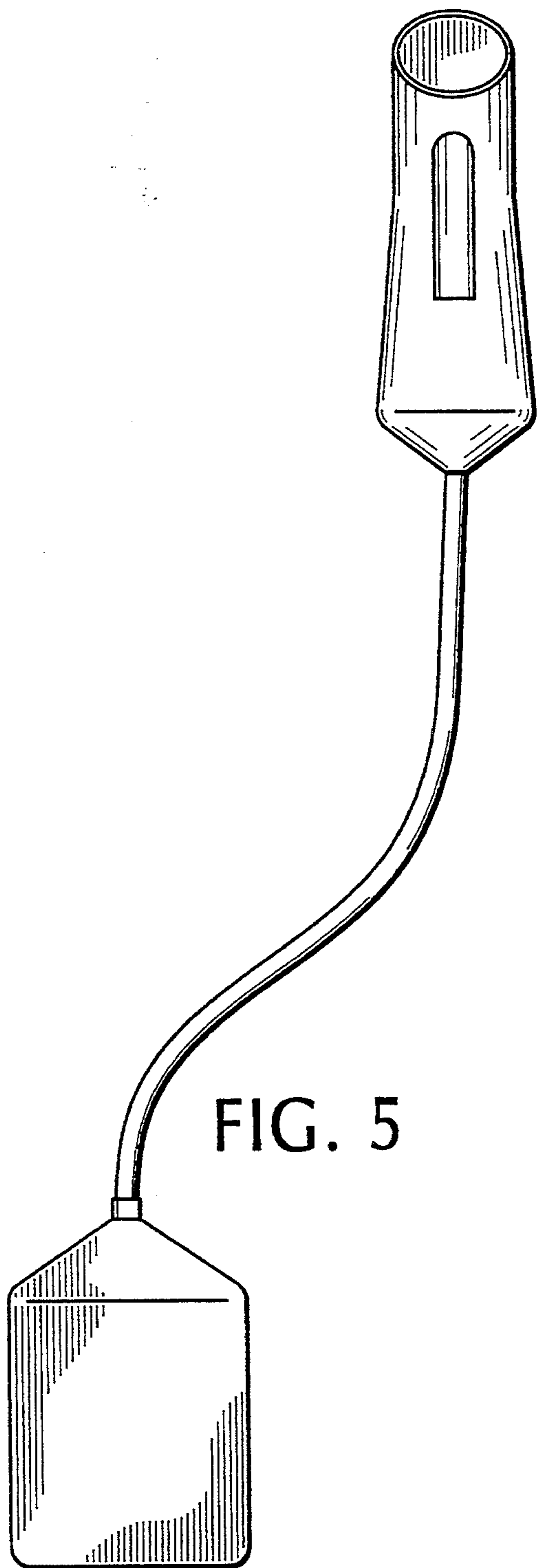


FIG. 5

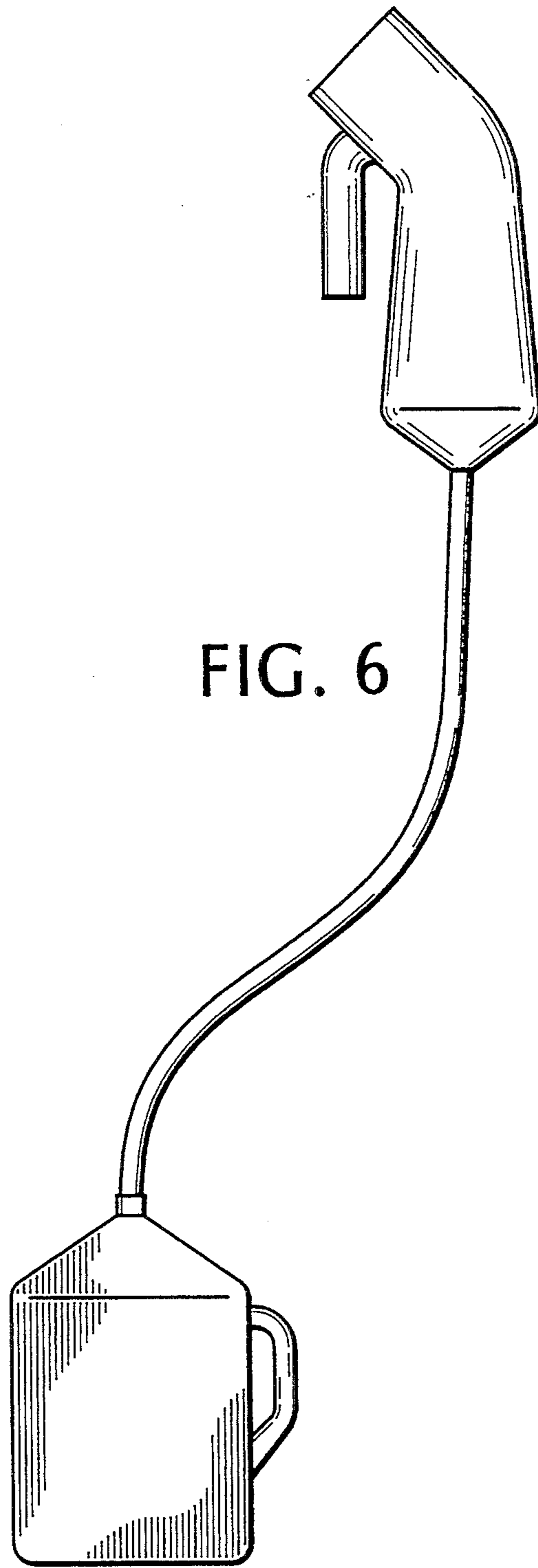


FIG. 6

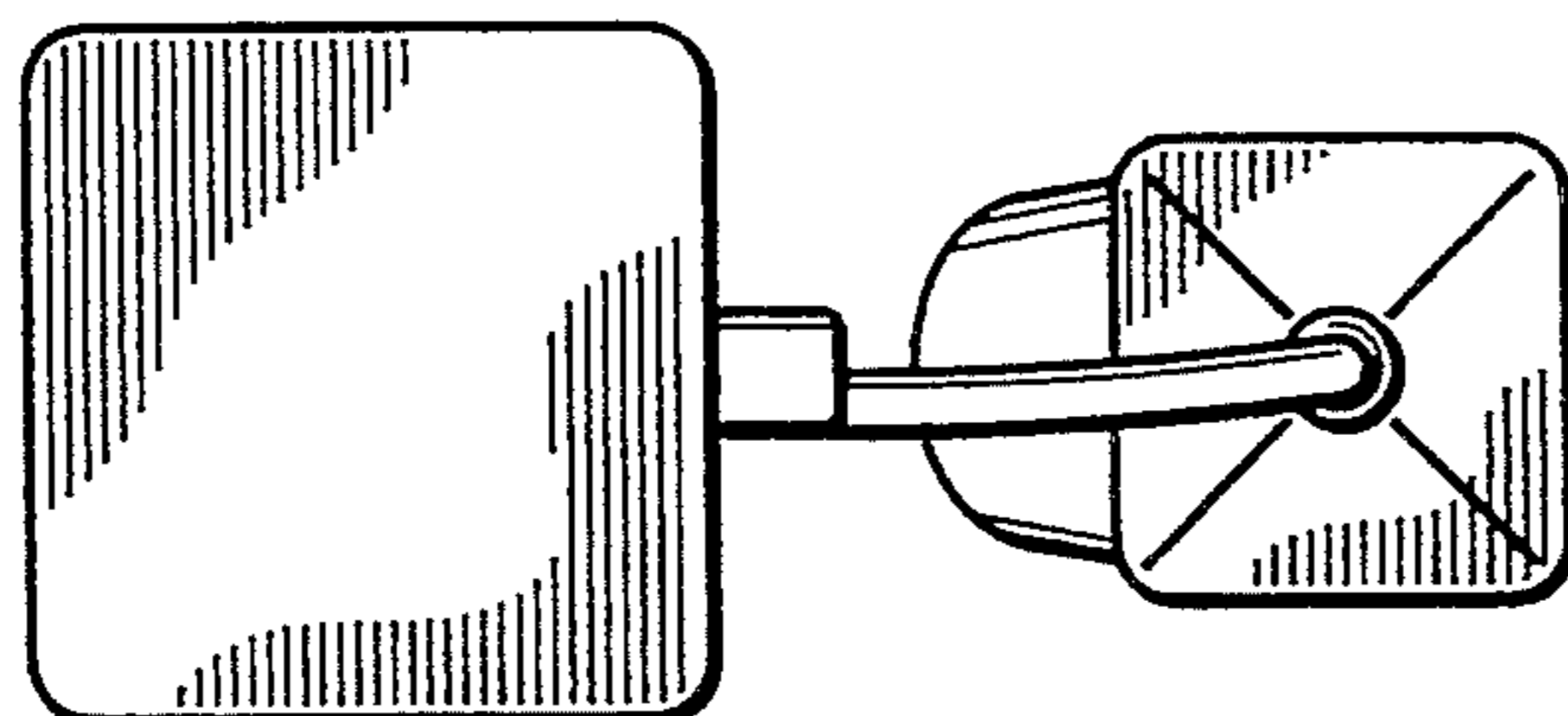


FIG. 7