



US00D357974S

United States Patent [19]

[11] Patent Number: **Des. 357,974**

Phillips et al.

[45] Date of Patent: **** May 2, 1995**

[54] **CONNECTOR FOR USE WITH AN INFLATION MECHANISM**

[75] Inventors: **Matthew L. Phillips**, North Easton, Mass.; **Paul J. Mulhauser**, New York, N.Y.

[73] Assignee: **Reebok International Ltd.**, Stoughton, Mass.

[**] Term: **14 Years**

[21] Appl. No.: **14,100**

[22] Filed: **Oct. 13, 1993**

Related U.S. Application Data

[60] Continuation-in-part of Ser. No. 6,555, Mar. 31, 1993, Pat. No. Des. 347,263, which is a division of Ser. No. 973,670, Nov. 9, 1992.

[52] U.S. Cl. **D23/231**

[58] Field of Search 417/440-441, 417/479-480; 36/114, 119, 80, 136; 137/223, 230, 232-233, 377, 382; 222/402.13; 5/453-454; D23/231-232; D2/314

[56] References Cited

U.S. PATENT DOCUMENTS

- D. 32,093 1/1900 Childs .
- D. 55,436 6/1920 Seiders .
- D. 133,459 8/1942 Corley .
- D. 201,606 7/1965 McCord D90/20
- D. 205,276 7/1966 Kort D91/3
- 212,898 3/1879 Class .
- D. 216,694 3/1970 Lause D23/42
- D. 221,432 8/1971 Dunlap D23/43
- D. 227,888 7/1973 Felix D23/41
- D. 243,457 2/1977 Ryan D23/40
- D. 249,279 9/1978 Backlund D24/7
- D. 252,703 8/1979 Cupit D23/42
- D. 281,350 11/1985 Heier D23/41
- D. 284,264 6/1986 Resan D8/382
- D. 284,265 6/1986 Resan D8/382
- D. 285,716 9/1986 Bova D23/19
- D. 296,581 7/1988 Hattori D23/262
- D. 299,379 1/1989 Haggerty et al. D23/249
- D. 314,172 1/1991 Whitley, II D12/317
- D. 323,419 1/1992 Brown et al. D2/314
- D. 327,769 7/1992 Serna et al. D2/314
- D. 329,733 9/1992 Miller et al. D2/314

- 1,053,204 2/1913 Morrison .
- 1,637,219 7/1927 Edelmann .
- 2,038,473 4/1936 Bronson 152/12
- 2,476,545 7/1949 Hayward 103/148
- 2,579,977 12/1951 Sjolín 299/95
- 2,717,556 9/1955 Bartoo 103/148
- 2,775,401 12/1956 Storrs 130/169
- 2,845,032 7/1958 Krohm 103/148
- 2,942,614 6/1960 Lardner 137/223
- 3,078,679 2/1963 Mortimer et al. 60/62.6
- 3,245,428 4/1966 Klimak et al. 137/493
- 3,426,787 2/1969 Fuller 137/226
- 3,983,907 10/1976 Sorensen 137/223
- 3,995,653 12/1976 Mackal et al. 137/234
- 4,014,048 3/1977 Rappleyea 137/223 X
- 4,169,353 10/1979 Fresard 60/592
- 4,579,141 4/1986 Arff 137/223
- 4,669,498 6/1987 Hansen 137/223
- 4,774,776 10/1988 Gulli 36/132
- 4,874,640 10/1989 Donzis 427/421

(List continued on next page.)

FOREIGN PATENT DOCUMENTS

- 0229273 7/1987 European Pat. Off. .
- 2456612A1 6/1975 Germany A43B 5/04
- 3427644A1 1/1986 Germany A43B 5/04
- 887832 1/1962 United Kingdom .

Primary Examiner—Wallace R. Burke

Assistant Examiner—M. H. Tung

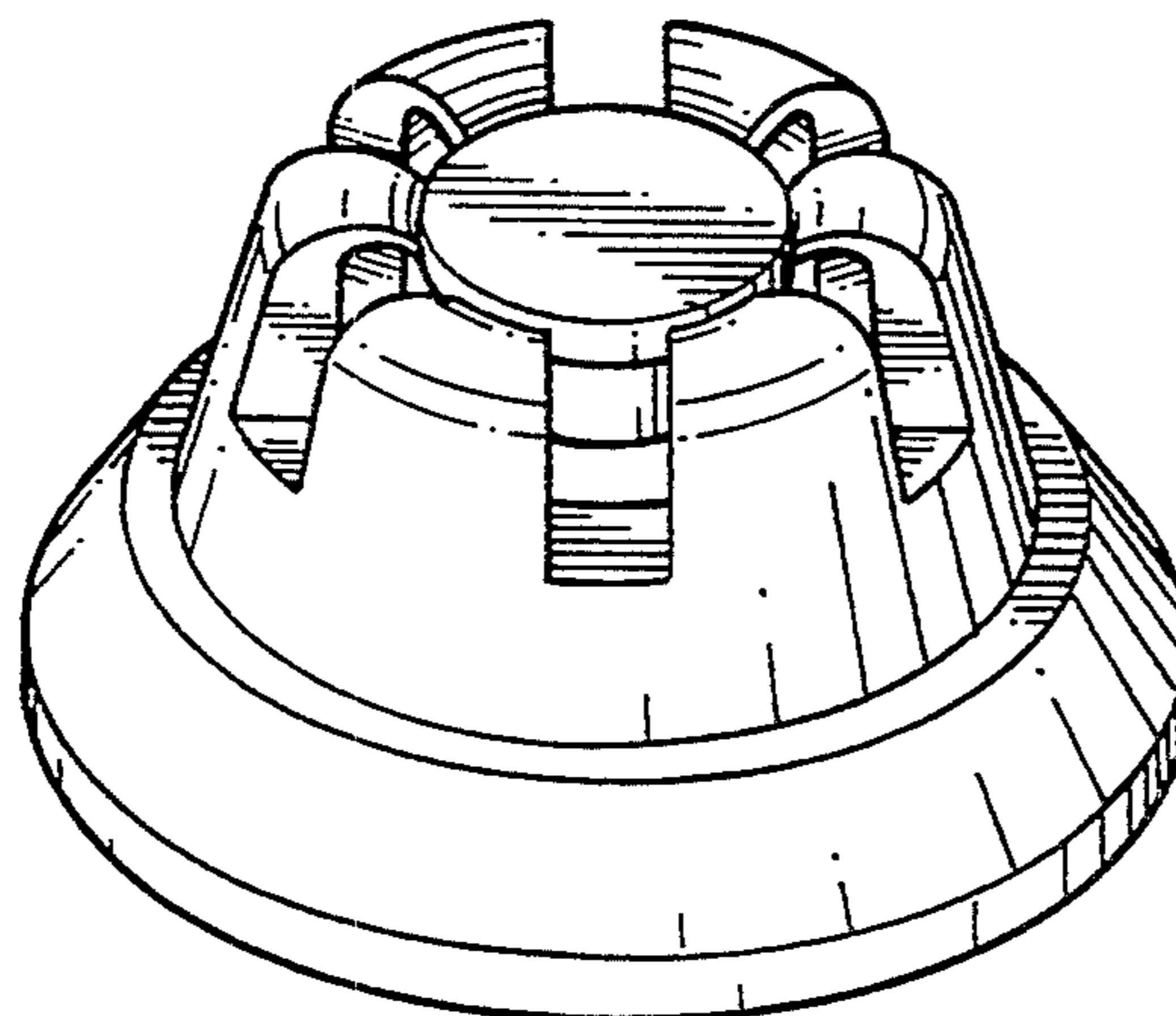
Attorney, Agent, or Firm—Sterne, Kessler, Goldstein & Fox

[57] CLAIM

The ornamental design for an connector for use with an inflation mechanism, as shown and described.

DESCRIPTION

FIG. 1 is a perspective view of an connector for use with an inflation mechanism showing our new design; FIG. 2 is a side elevational view thereof the opposite side being identical; FIG. 3 is a top plan view thereof; FIG. 4 is a bottom plan view thereof; and, FIG. 5 is a cross-sectional view thereof taken along line V—V of FIG. 3 therefor.



U.S. PATENT DOCUMENTS

5,025,575	6/1991	Lakic	36/44	5,121,840	6/1992	Schram	137/223 X
5,056,992	10/1991	Simons et al.	417/474	5,129,109	7/1992	Runckel	2/440
5,070,829	12/1991	Guntly et al.	123/179.9	5,135,025	8/1992	Mackal	137/541
5,083,581	1/1992	Jan	137/223	5,155,864	10/1992	Walker et al.	2/18
5,111,838	5/1992	Langston	137/223	5,155,865	10/1992	Walker et al.	2/18
5,113,599	5/1992	Cohen et al.	36/88	5,155,866	10/1992	Walker et al.	2/18
				5,158,767	10/1992	Cohen et al.	36/88
				5,181,279	1/1993	Ross	2/413

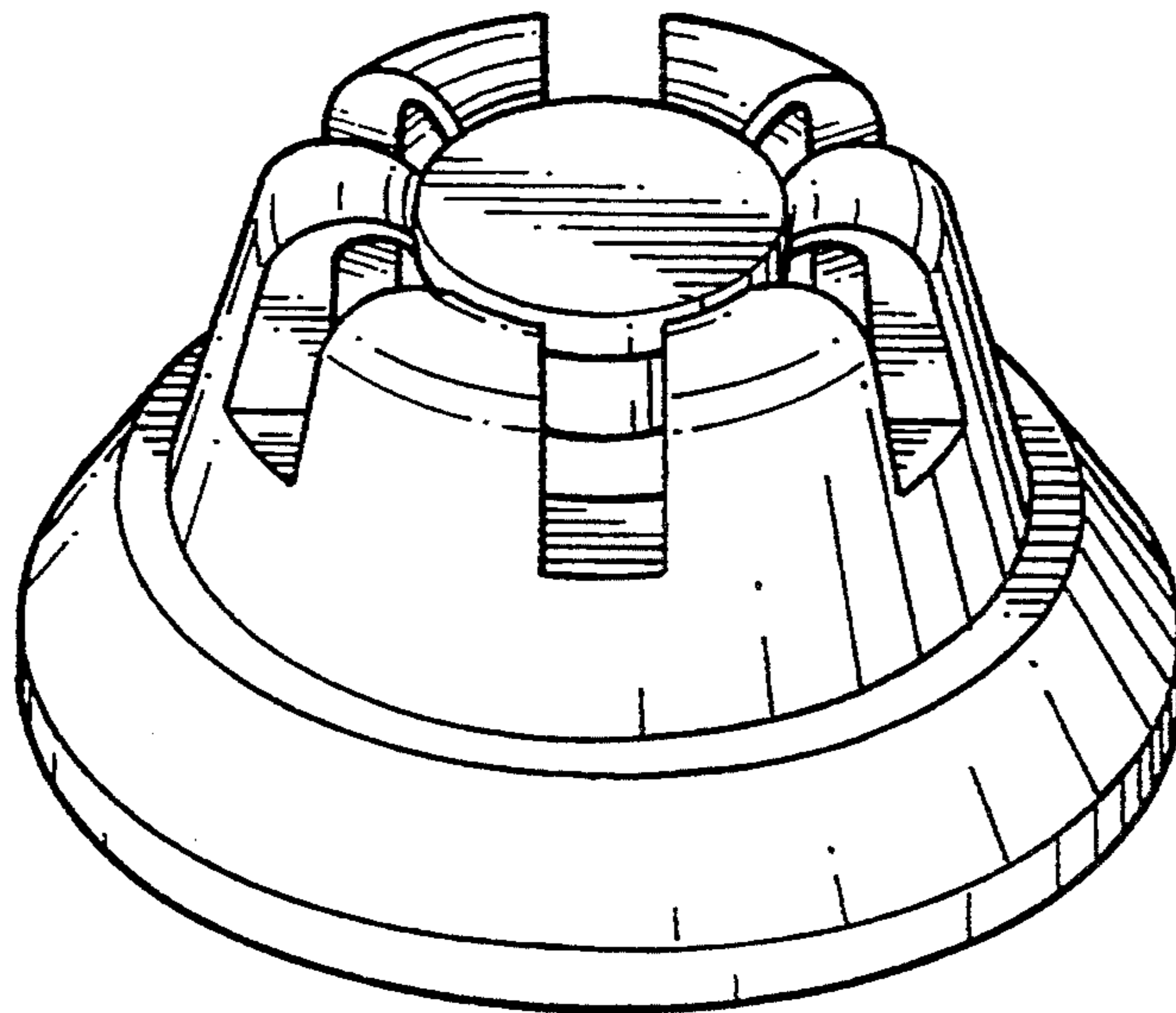


FIG. 1

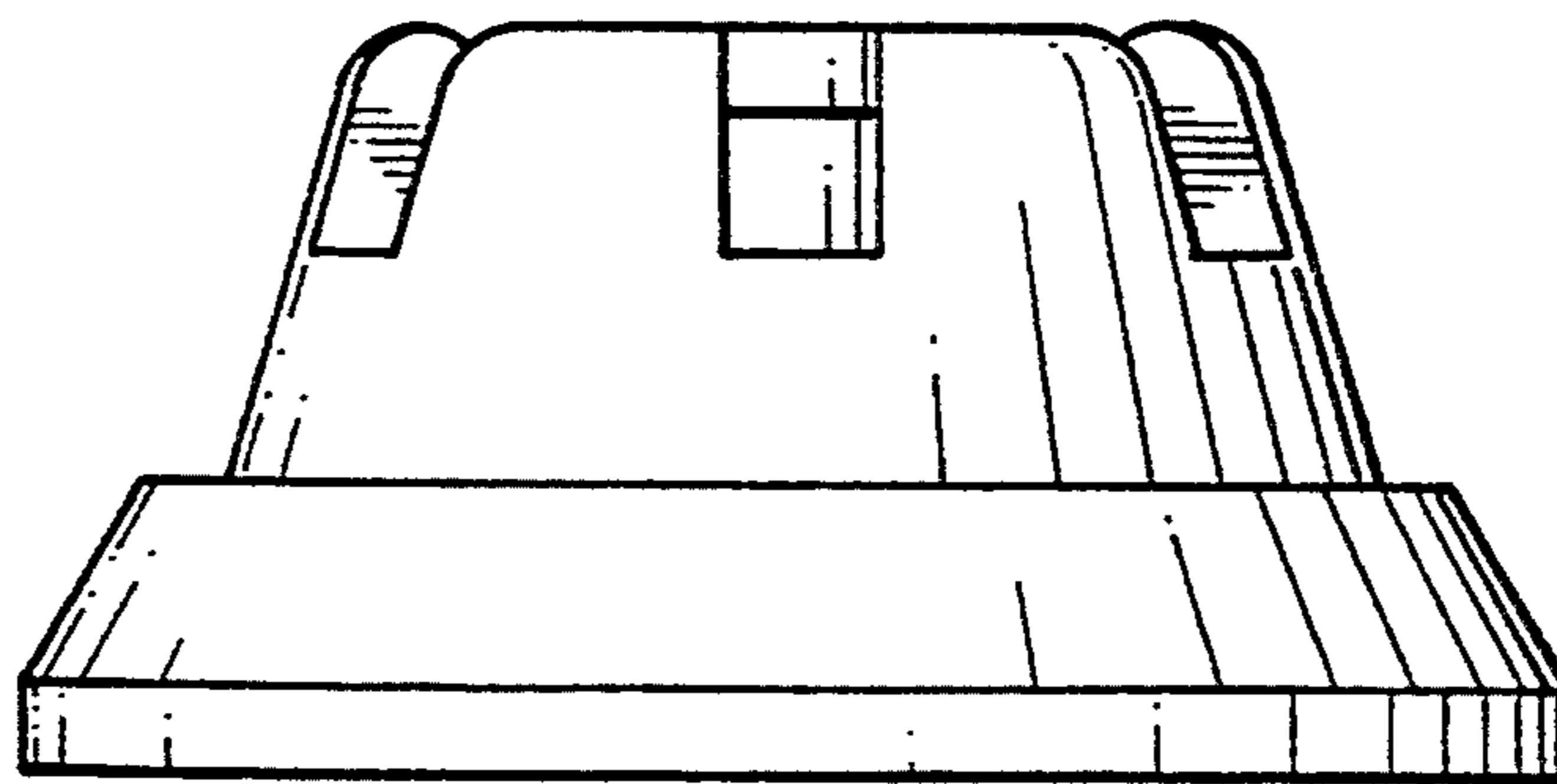


FIG. 2

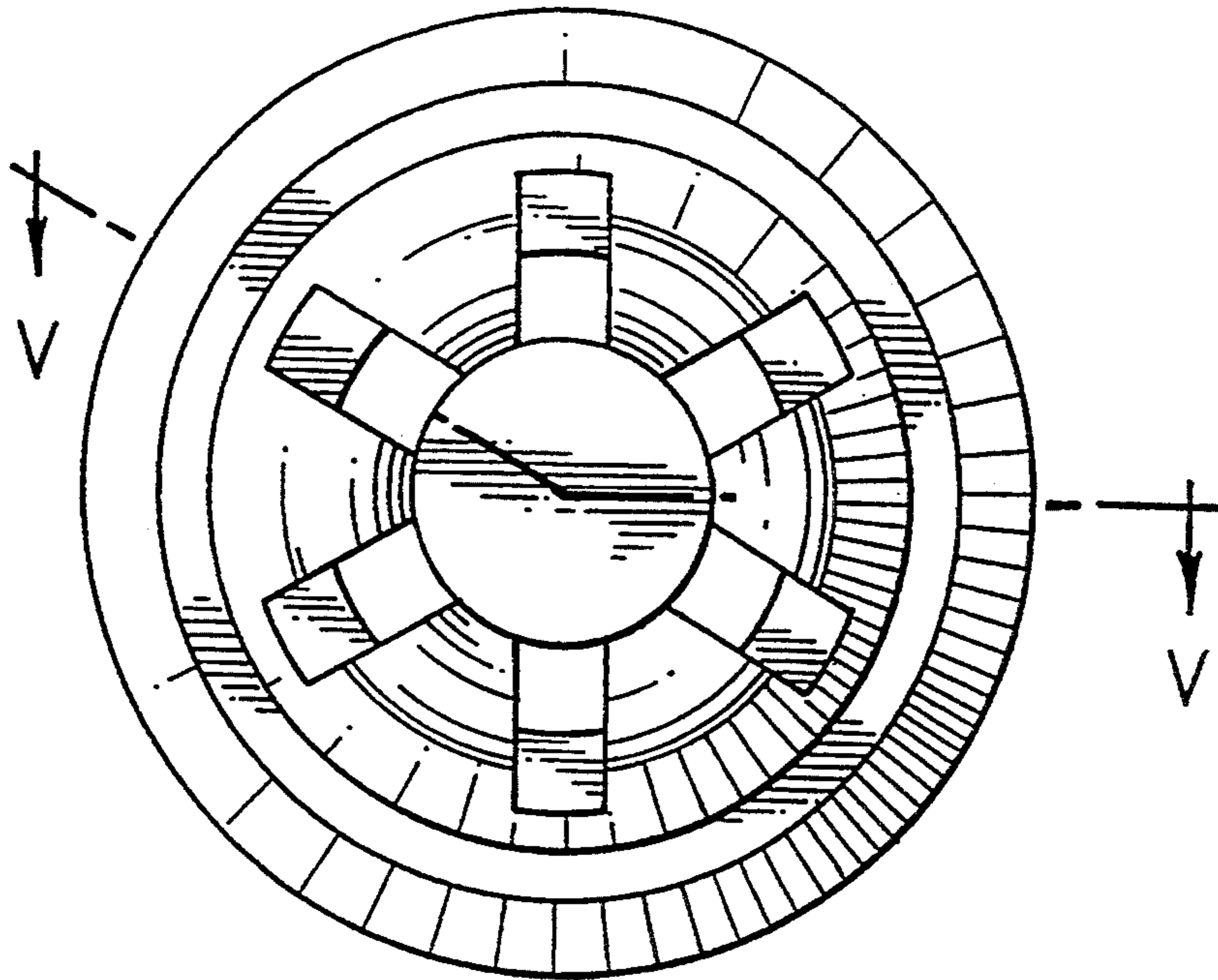


FIG. 3

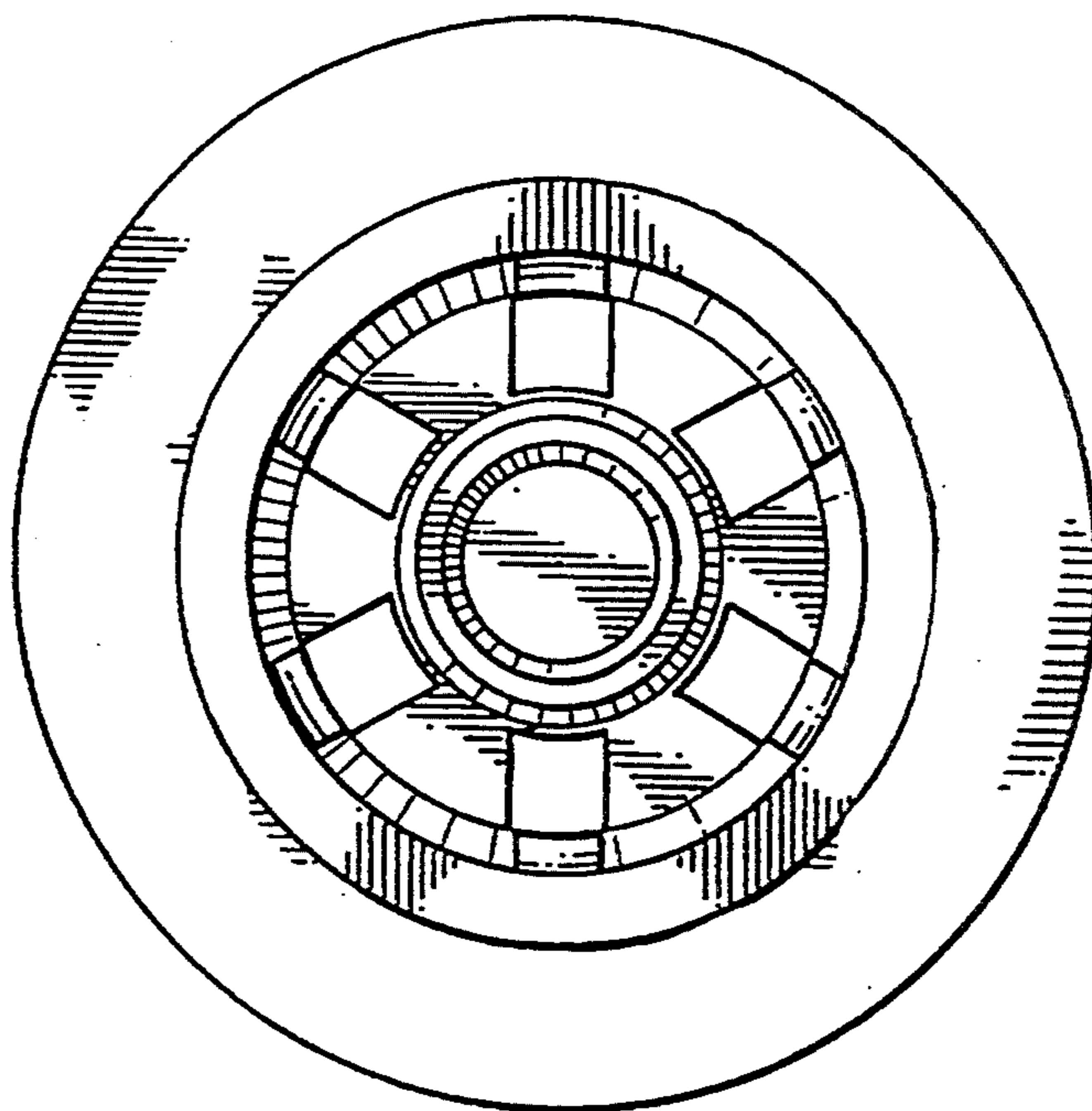


FIG. 4

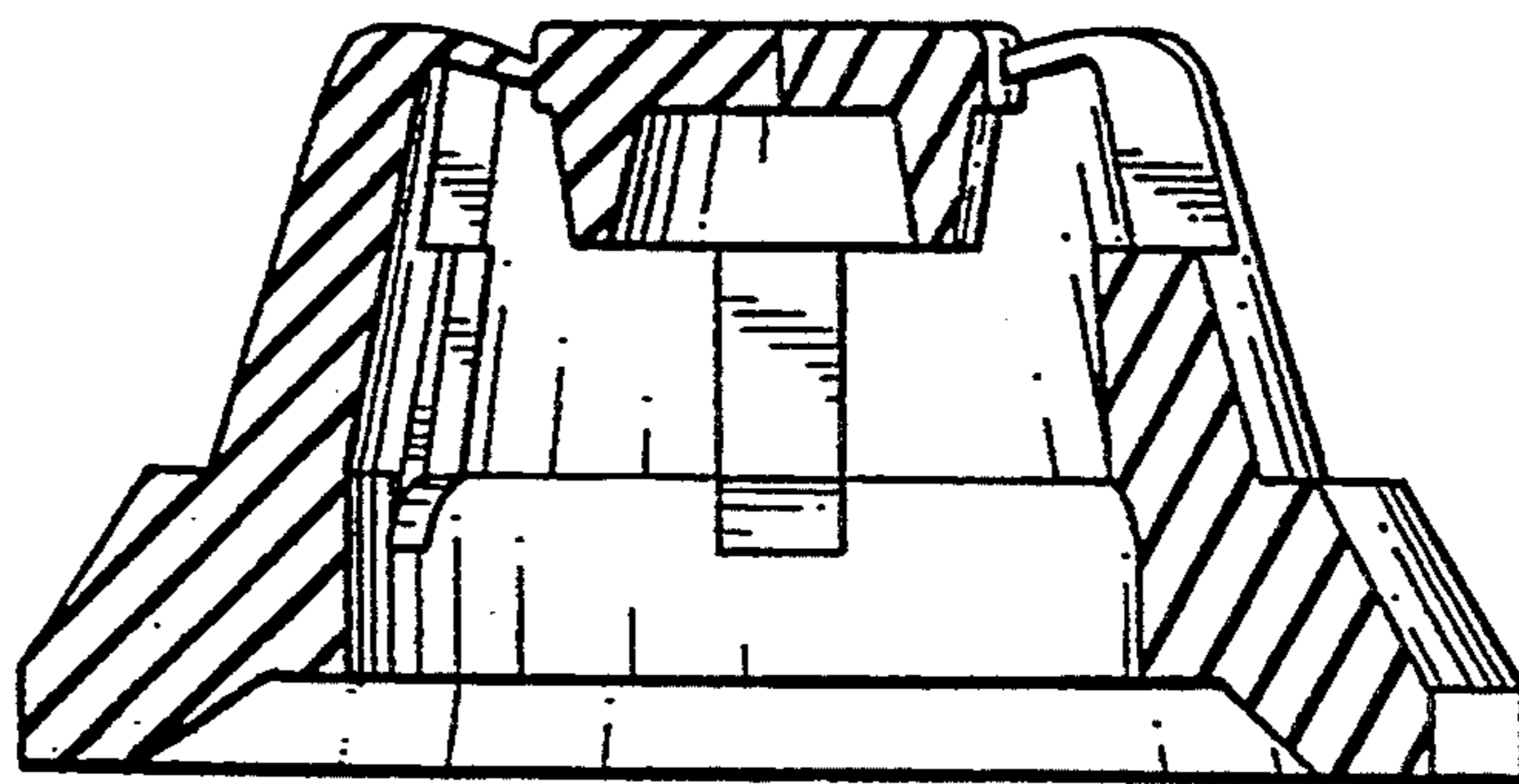


FIG. 5

UNITED STATES PATENT AND TRADEMARK OFFICE
CERTIFICATE OF CORRECTION

PATENT NO. : DES 357,974
DATED : May 2, 1995
INVENTOR(S) : Phillips, M.L.

It is certified that error appears in the above-identified patent and that said Letters Patent is hereby corrected as shown below:

On the title page, item [75], delete Inventor "Paul J. Mulhauser, New York, N.Y."

In the claim, delete "an" first occurrence and substitute --a--.

In the description of Figure 1, delete "an" first occurrence and substitute --a--.

Signed and Sealed this
Twentieth Day of February, 1996

Attest:



BRUCE LEHMAN

Attesting Officer

Commissioner of Patents and Trademarks