



US00D357973S

United States Patent [19] McCain

[11] Patent Number: **Des. 357,973**

[45] Date of Patent: **** May 2, 1995**

[54] **HOSE END TRIGGER NOZZLE**

4,666,085 5/1987 Liaw 239/394
5,348,228 9/1994 Wang 239/394

[75] Inventor: **Lawrence G. McCain**, Beverly Hills, Calif.

[73] Assignee: **Arcadia**, San Diego, Calif.

[**] Term: **14 Years**

[21] Appl. No.: **27,027**

[22] Filed: **Aug. 11, 1994**

[52] U.S. Cl. **D23/226; D23/223**

[58] Field of Search **D23/213, 223-229; 239/394, 525-528, 459, 288.5**

[56] **References Cited**

U.S. PATENT DOCUMENTS

D. 225,736	1/1973	Mango et al.	D23/226
D. 259,733	6/1981	Tisserat et al. .	
D. 268,948	5/1983	Tisserat et al. .	
D. 291,725	9/1987	Huckenbeck et al. .	
D. 300,348	3/1989	Lubeck	D23/226
D. 305,454	1/1990	Beal .	
D. 314,609	2/1991	Liaw	D23/226
D. 340,762	10/1993	Wang	D23/226
4,618,100	10/1986	White et al. .	

OTHER PUBLICATIONS

Sears Water Command Package Card Oct. 1982.
Rain Bird Consumer Products Catalogue 1991 pp. 16-18.

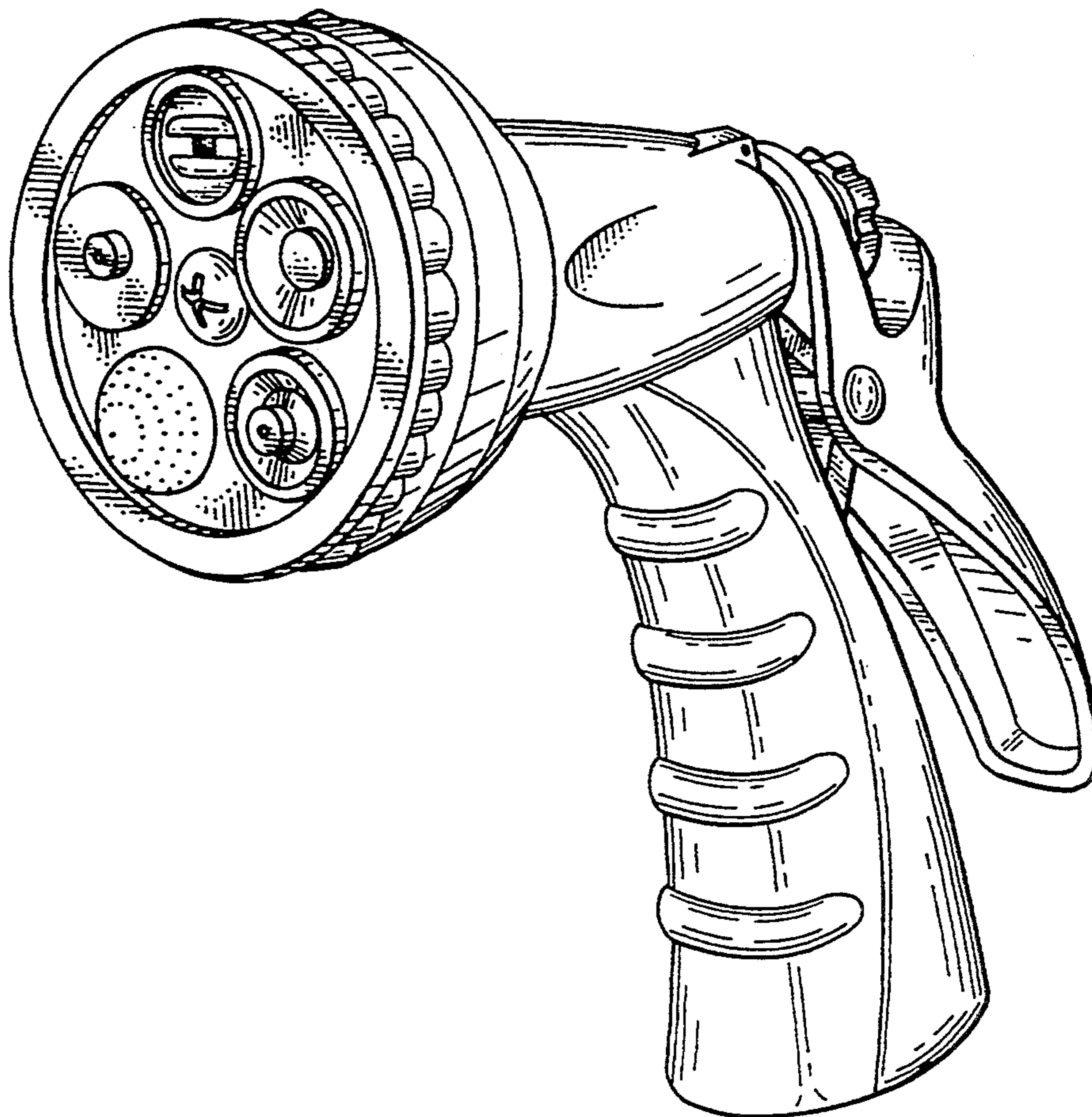
Primary Examiner—Brian N. Vinson
Assistant Examiner—Robin V. Taylor
Attorney, Agent, or Firm—Kelly, Bauersfeld & Lowry

[57] **CLAIM**

The ornamental design for a hose end trigger nozzle, as shown and described.

DESCRIPTION

FIG. 1 is a perspective view taken from the top, front and left side of a hose end trigger nozzle embodying the ornamental design of the present invention; FIG. 2 is a right side elevational view thereof; FIG. 3 is a top plan view thereof; FIG. 4 is a front elevational view thereof; FIG. 5 is a bottom plan view thereof; and, FIG. 6 is a rear elevational view thereof.



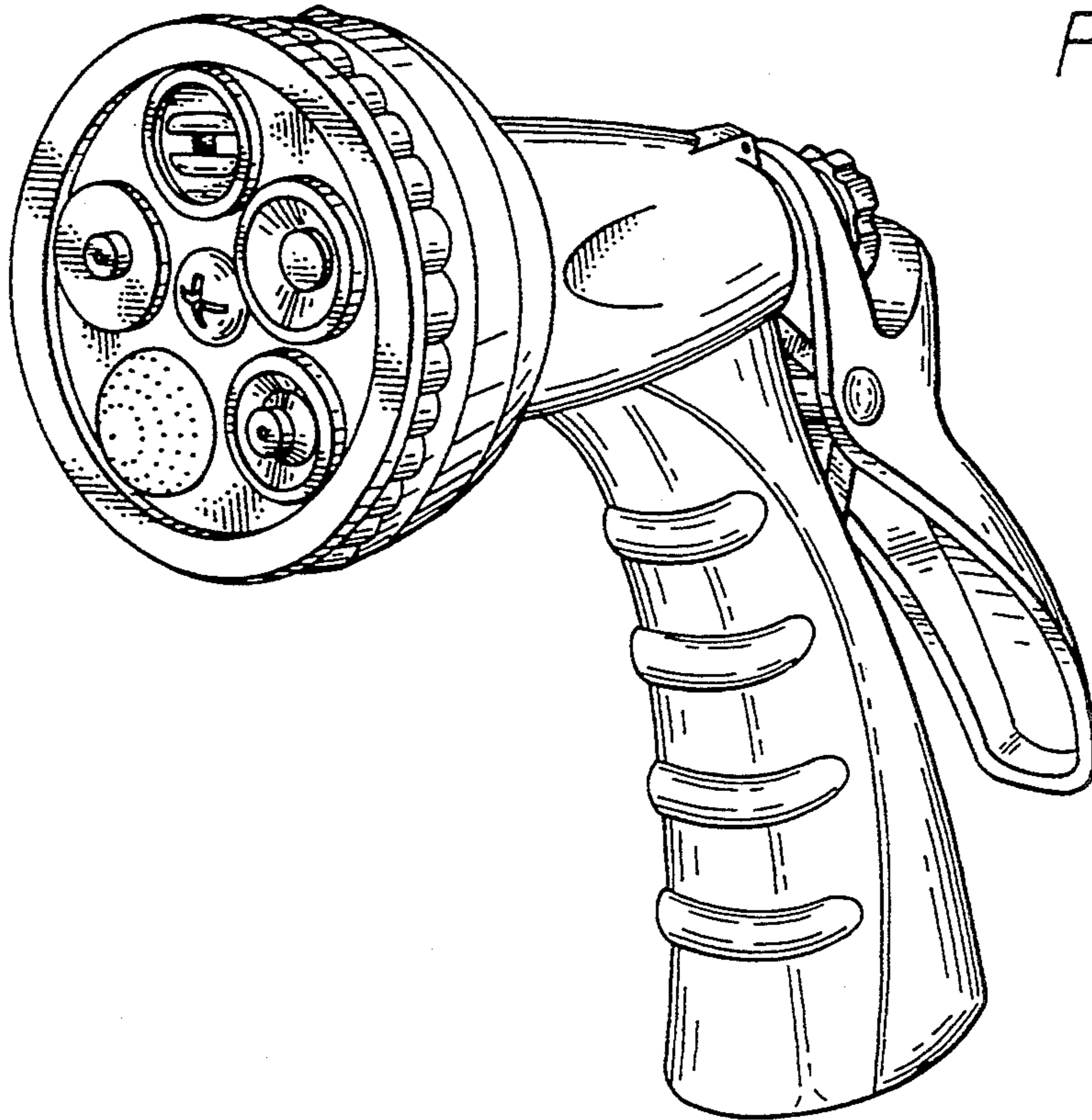


FIG. 1

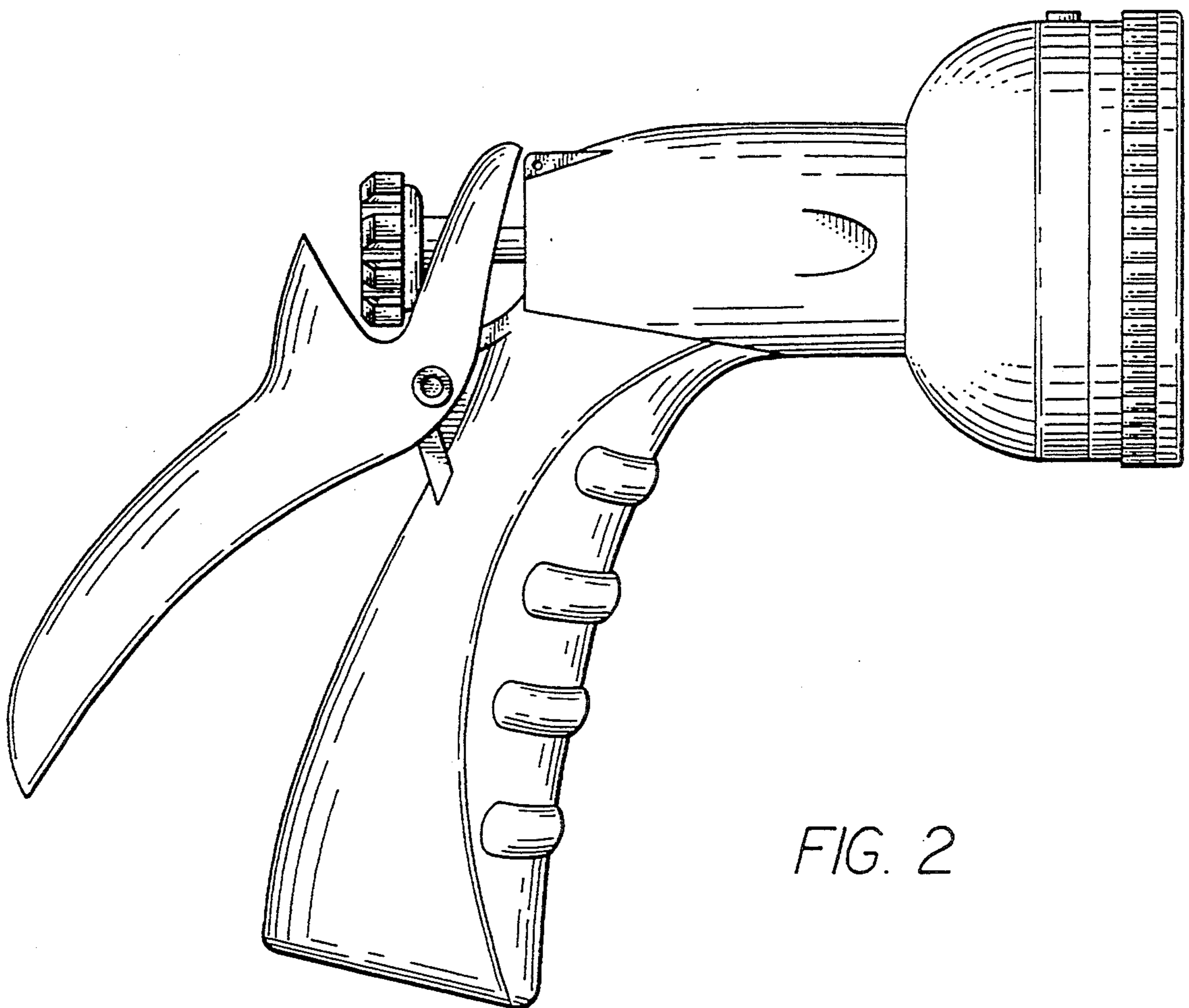


FIG. 2

FIG. 3

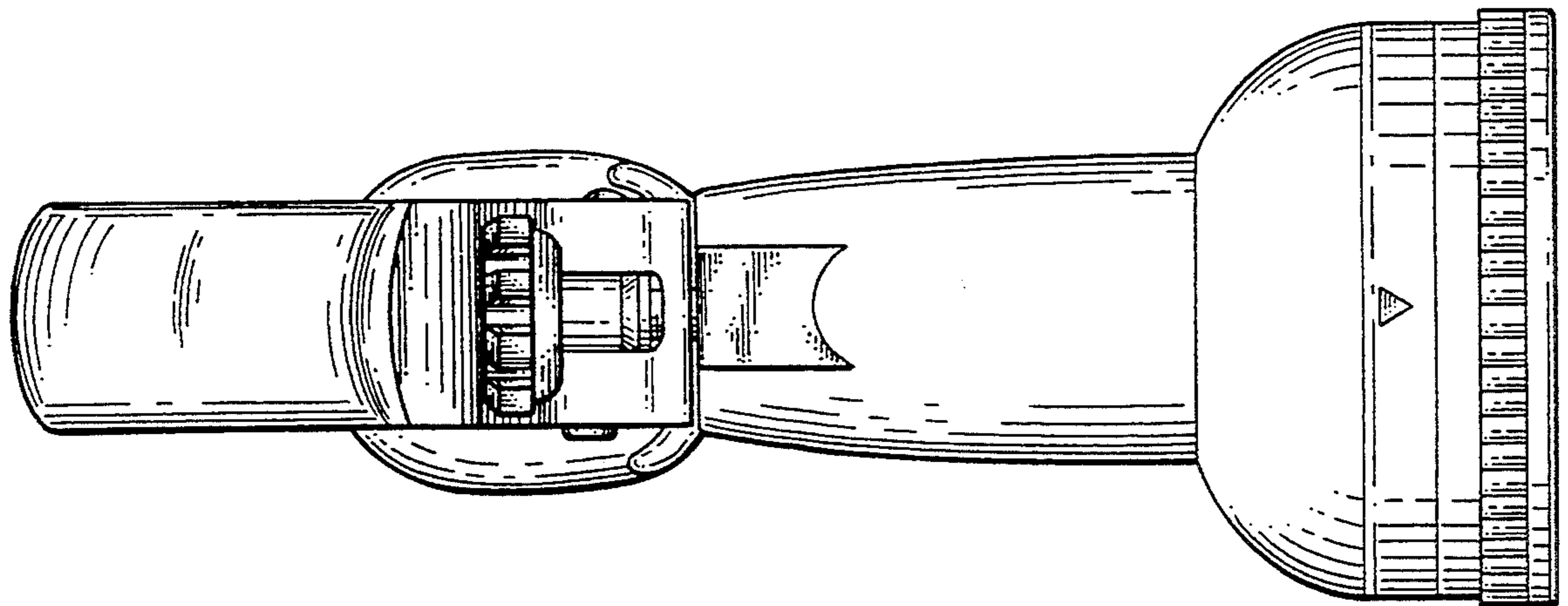


FIG. 4

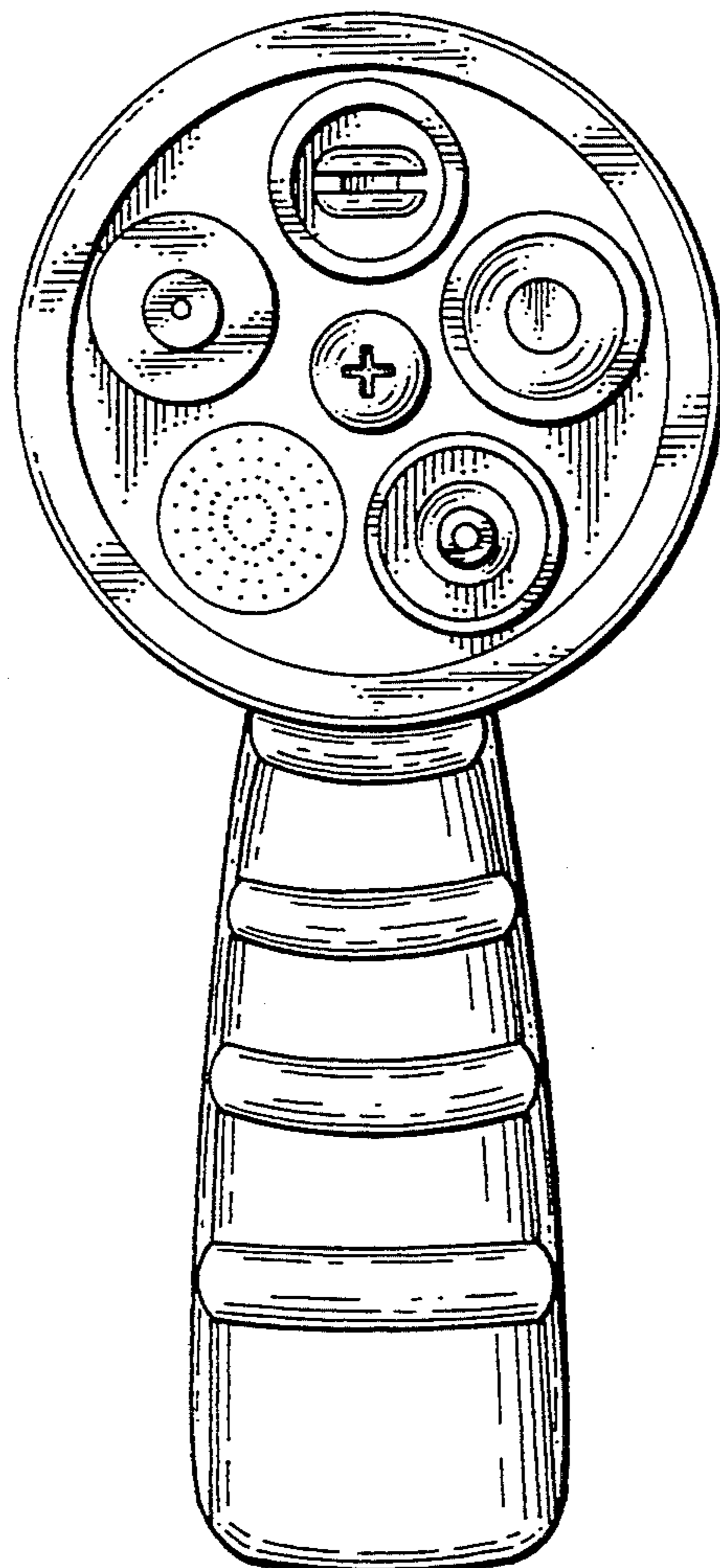


FIG. 5

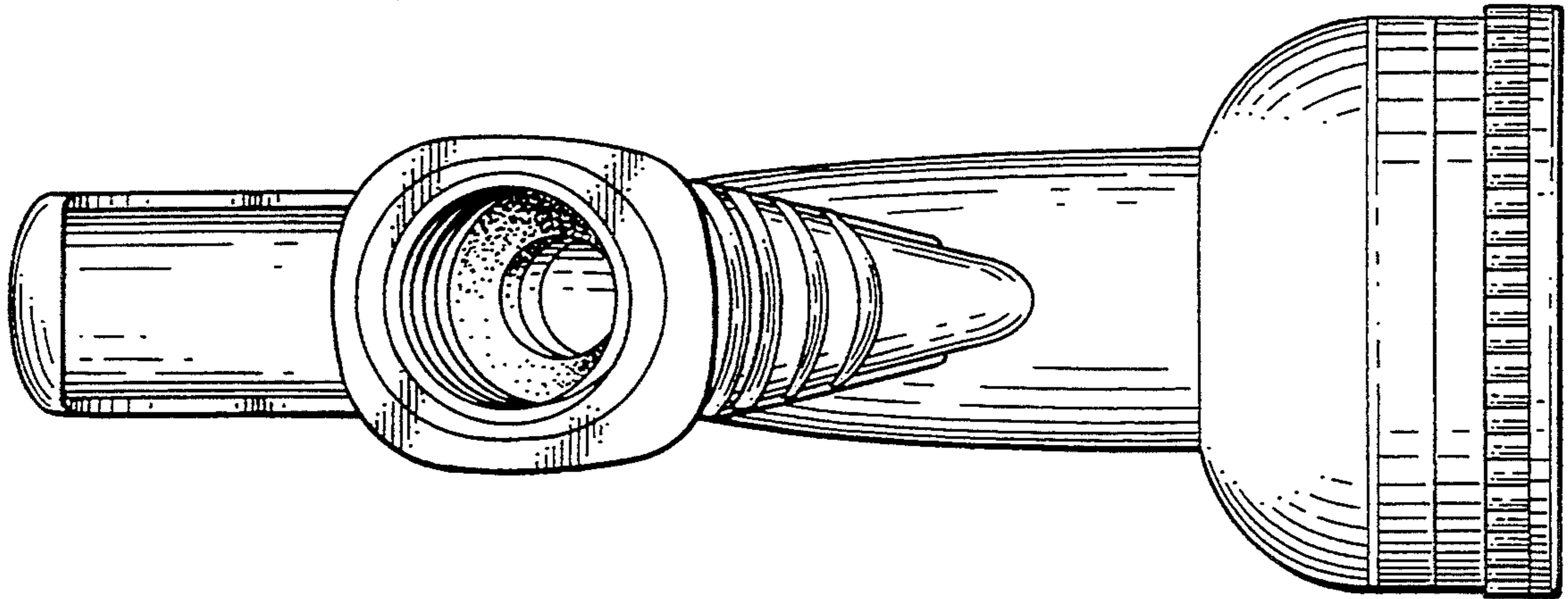


FIG. 6

