



US00D357972S

# United States Patent [19]

[11] Patent Number: **Des. 357,972**

Huen

[45] Date of Patent: **\*\* May 2, 1995**

[54] **SHOWER HEAD**

D. 326,311 5/1992 Lenci ..... D23/223  
D. 335,171 4/1993 Lenci ..... D23/223

[75] Inventor: **Hing-Wah Huen**, Kowloon, Hong Kong

*Primary Examiner*—Wallace R. Burke  
*Assistant Examiner*—Robin V. Taylor  
*Attorney, Agent, or Firm*—Browning, Bushman, Anderson & Brookhart

[73] Assignee: **Fairform Mfg. Co., Ltd.**, Kowloon, Hong Kong

[\*\*] Term: **14 Years**

### [57] CLAIM

[21] Appl. No.: **10,577**

The ornamental design for a shower head, as shown and described.

[22] Filed: **Jul. 12, 1993**

### DESCRIPTION

[52] U.S. Cl. .... **D23/223**

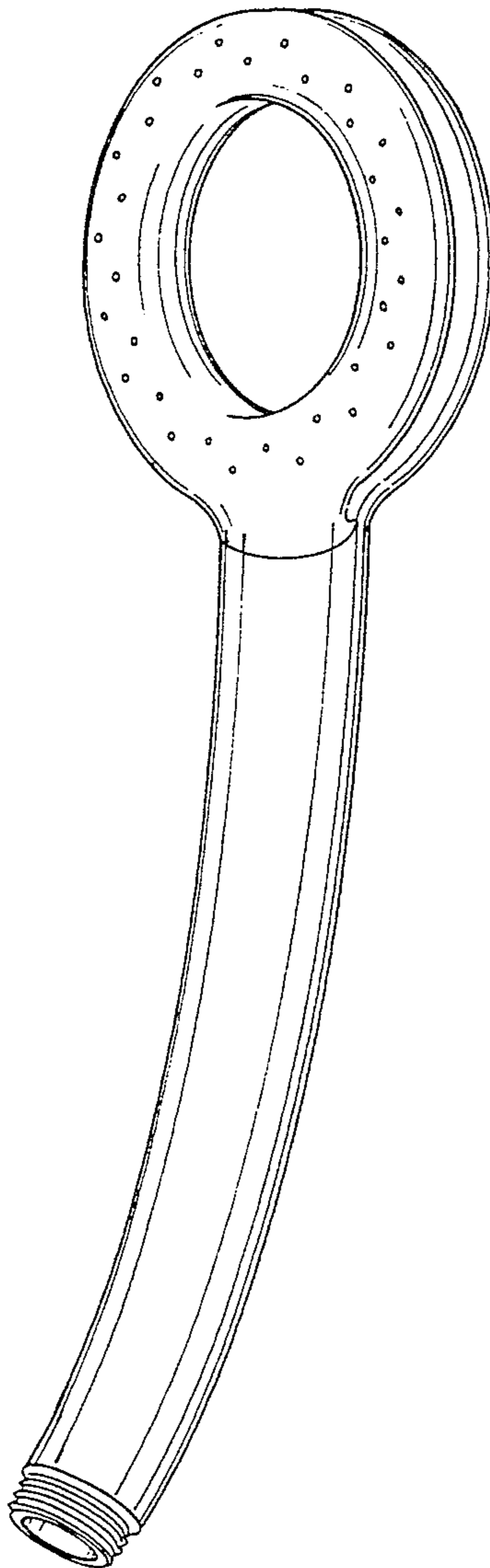
[58] Field of Search ..... D23/213, 223-229; 239/394, 456-460, 443-449, 288.5, 276

FIG. 1 is a front and right side perspective view of a shower head showing my new design; FIG. 2 is a front elevational view of the shower head; FIG. 3 is a left side elevational view thereof; FIG. 4 is a top plan view thereof; FIG. 5 is a rear elevational view thereof; FIG. 6 is a right side elevational view thereof; and, FIG. 7 is a bottom plan view thereof.

### [56] References Cited

#### U.S. PATENT DOCUMENTS

D. 313,267 12/1990 Lenci ..... D23/213  
D. 320,642 10/1991 Geneve ..... D23/223



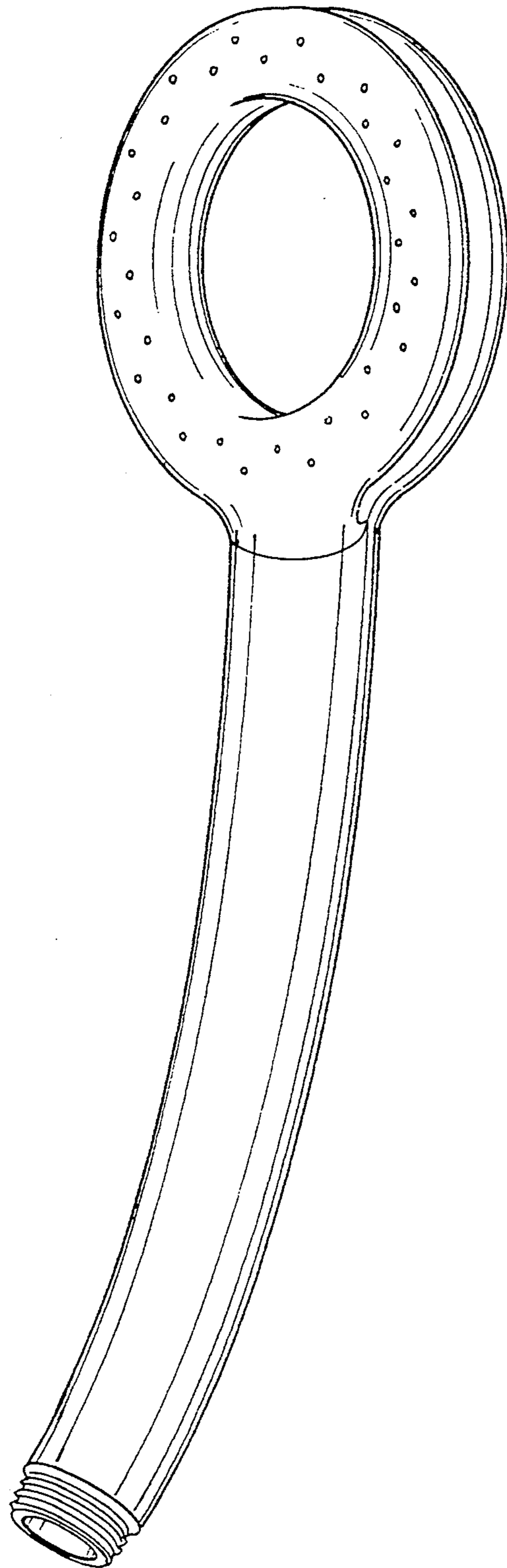


FIG. 1

FIG. 4

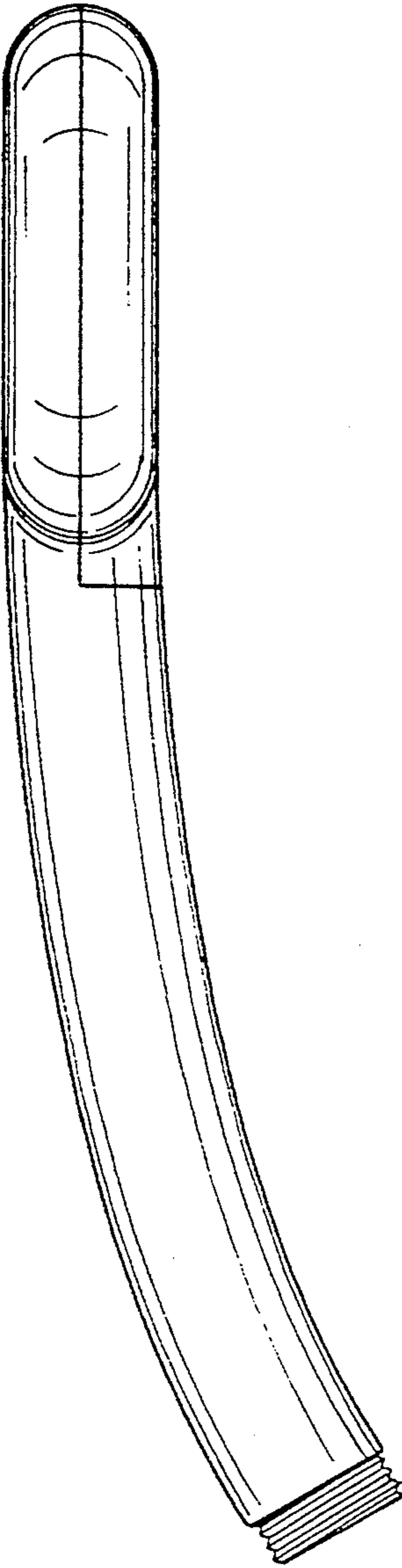
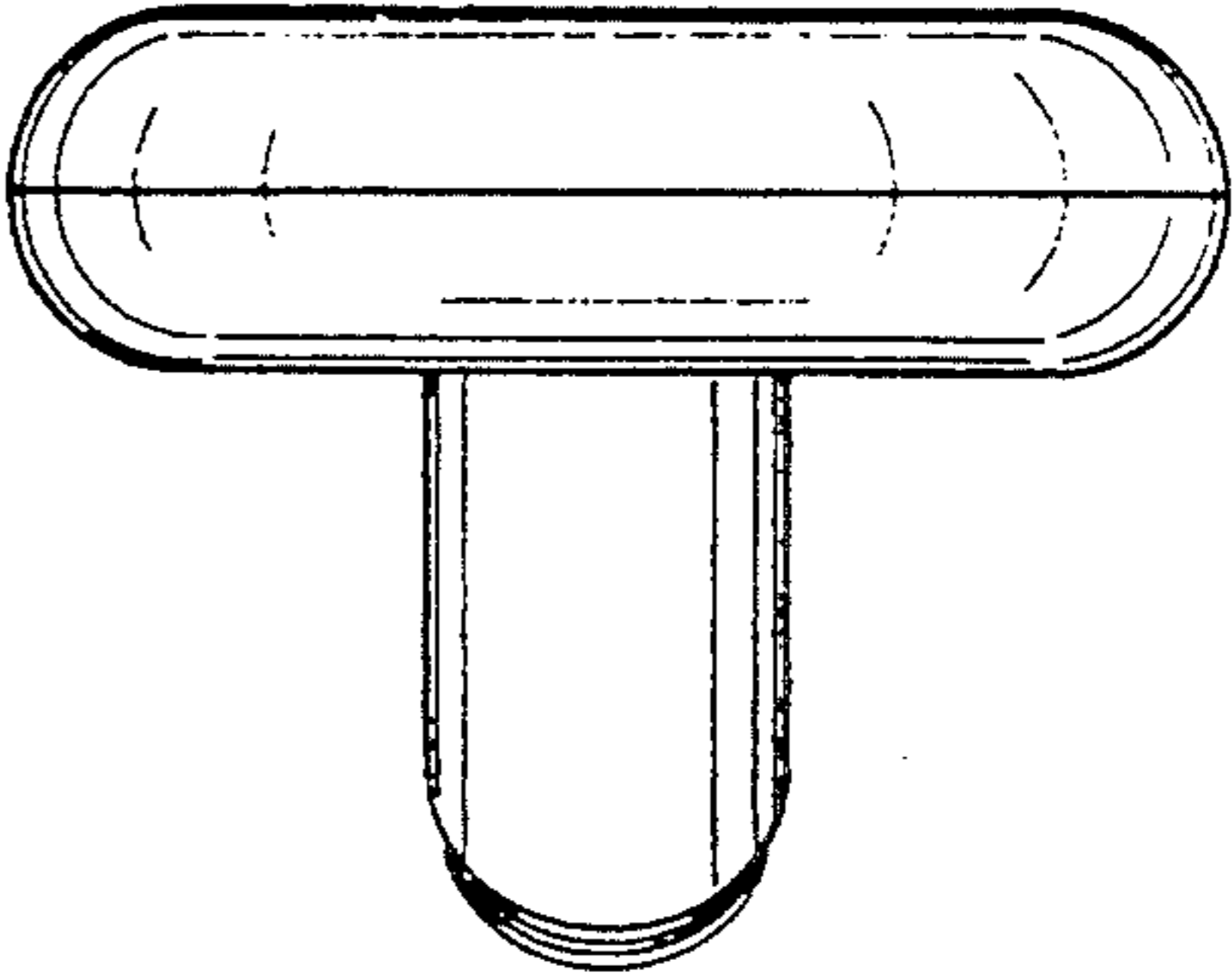


FIG. 3

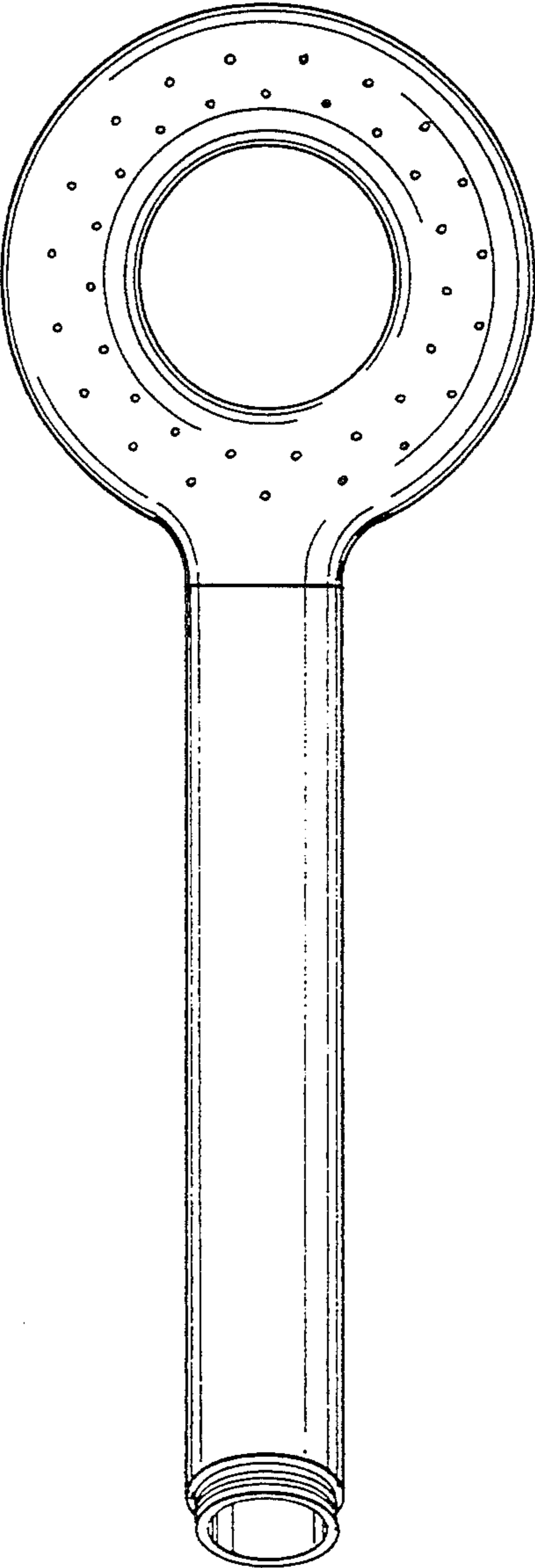


FIG. 2

FIG. 5

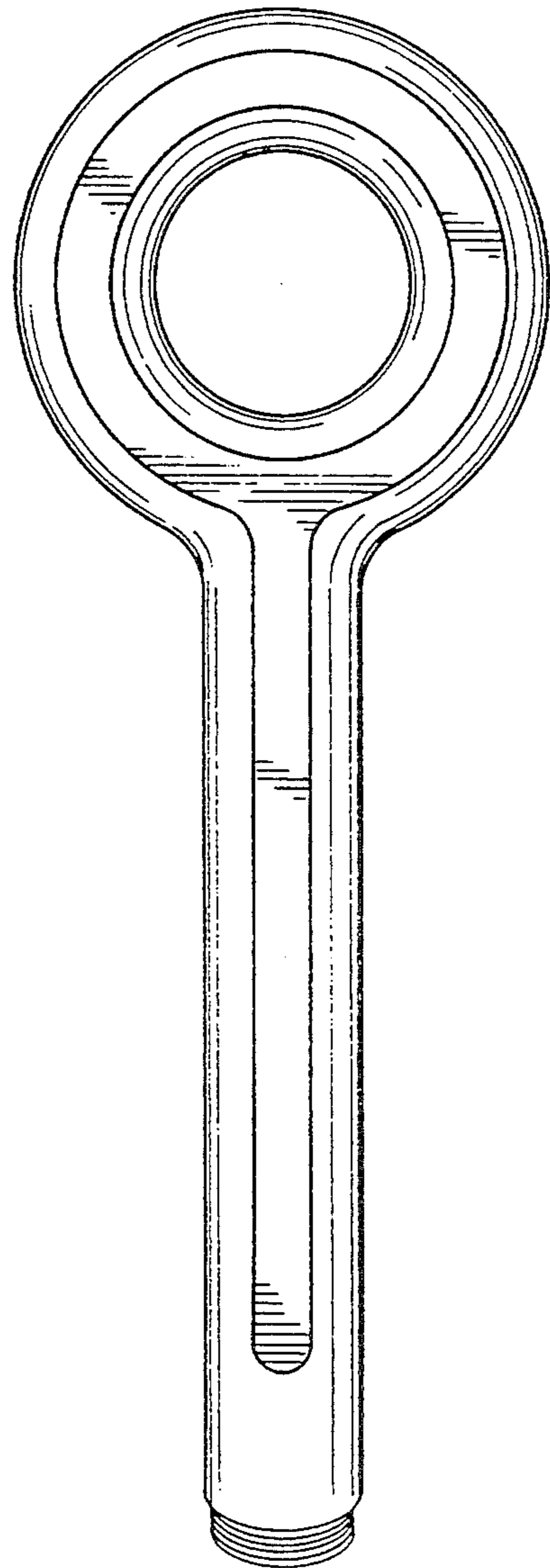


FIG. 6

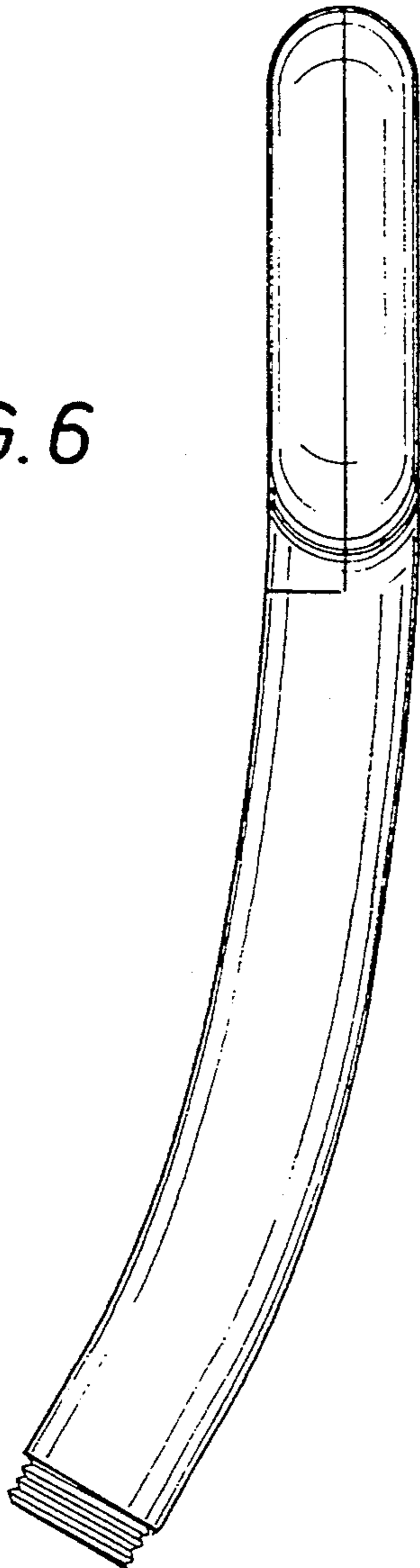


FIG. 7

