



US00D357971S

# United States Patent [19]

[11] Patent Number: **Des. 357,971**

Prothe

[45] Date of Patent: **\*\* May 2, 1995**

[54] **ROOT FEEDER HEAD ASSEMBLY**

2,893,334	7/1959	Snyder	111/7.1
2,948,238	9/1960	Hoffman	111/7.4
4,432,291	2/1984	Shirley	.
4,705,218	11/1987	Daniels	.

[75] Inventor: **Loren L. Prothe, Lexington, Ky.**

[73] Assignee: **Weatherly Consumer Products, Inc., Lexington, Ky.**

[\*\*] Term: **14 Years**

*Primary Examiner*—James M. Gandy  
*Assistant Examiner*—Robin V. Taylor  
*Attorney, Agent, or Firm*—King & Schickli

[21] Appl. No.: **9,726**

[57] **CLAIM**

[22] Filed: **Jun. 18, 1993**

The ornamental design for a root feeder head assembly, as shown.

[52] U.S. Cl. .... **D23/217; D23/213**

[58] Field of Search ..... **D23/213-229;**  
**239/276, 310; 47/57.5, 1; 137/614.2, 268;**  
**111/7.1, 7.4**

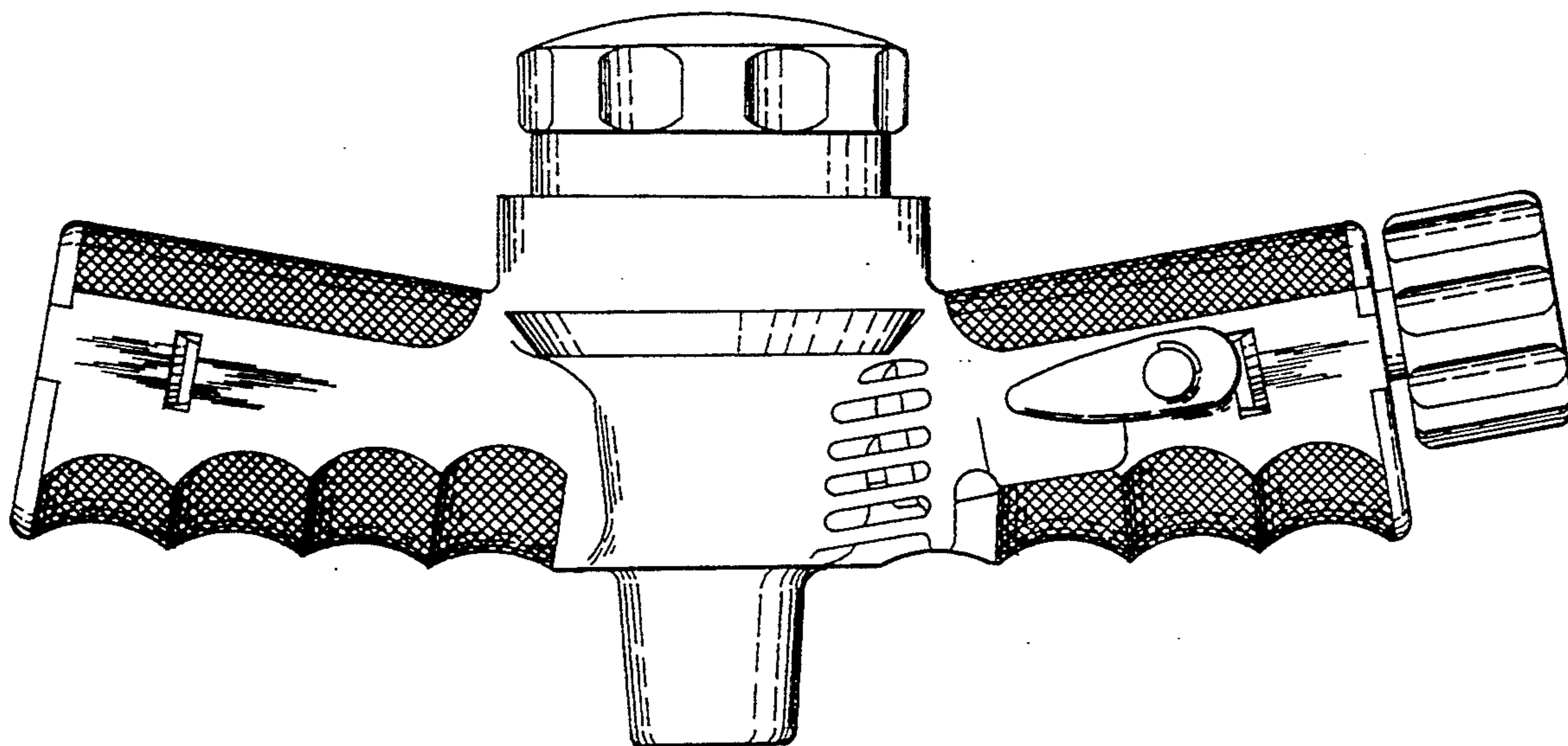
**DESCRIPTION**

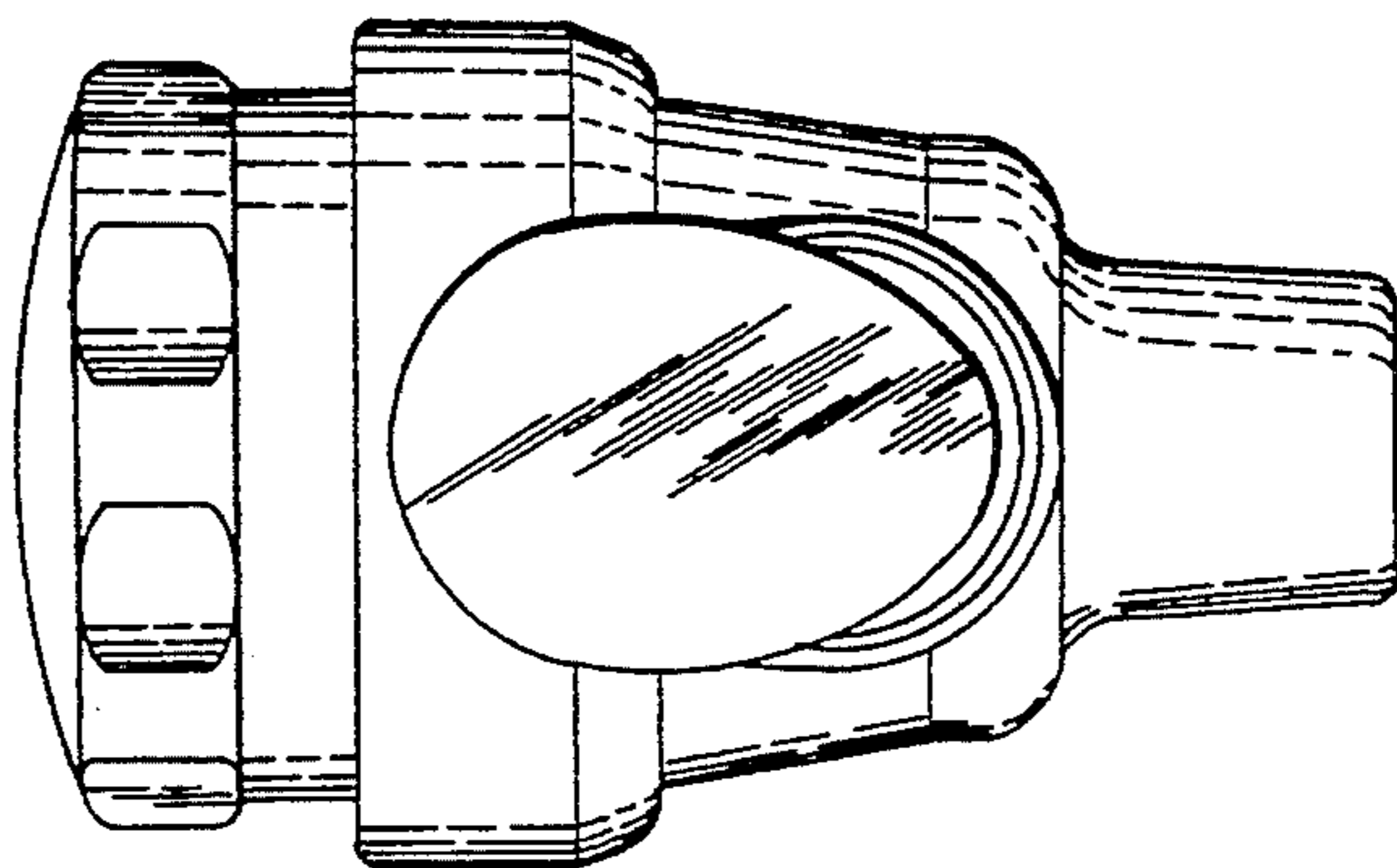
[56] **References Cited**

**U.S. PATENT DOCUMENTS**

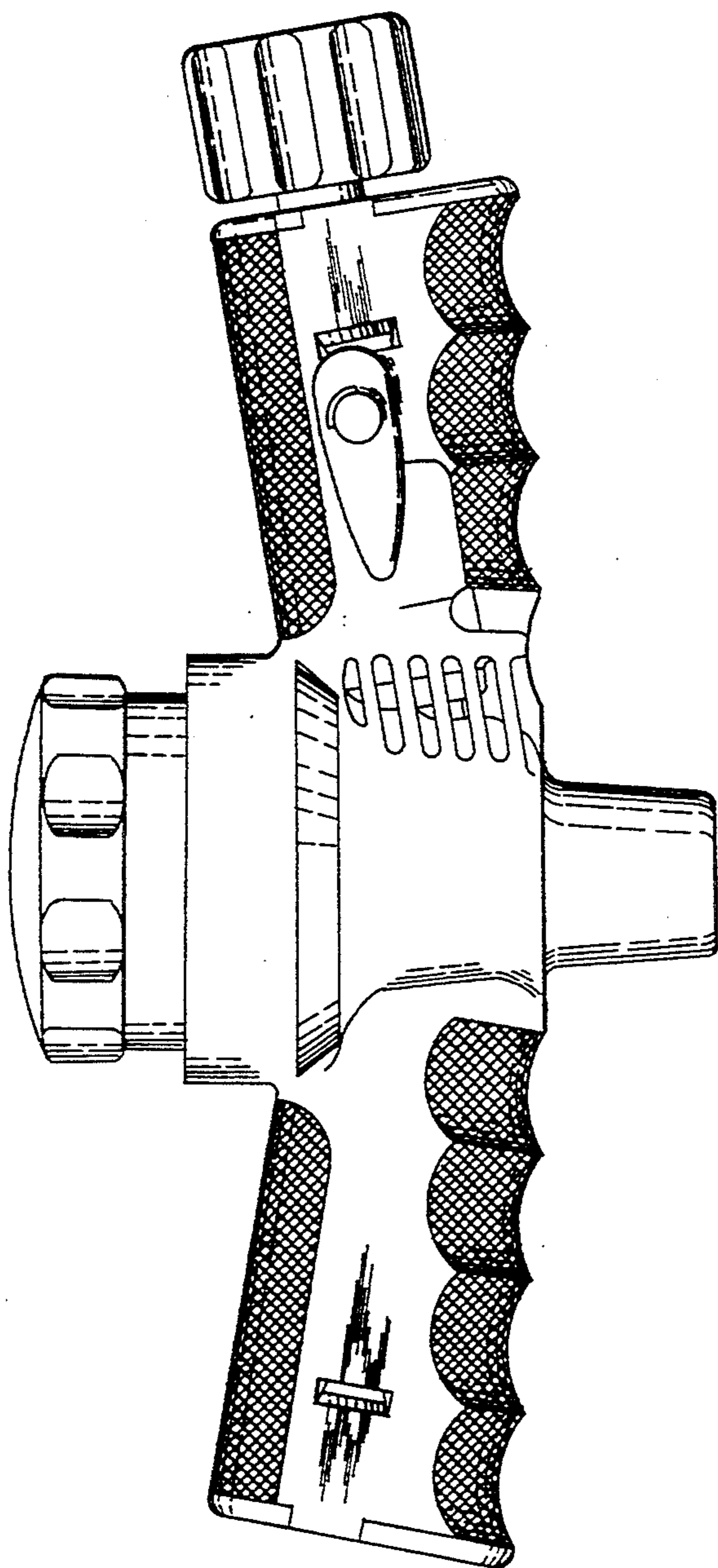
D. 292,118	9/1987	Hill	.
1,175,593	3/1916	Brown	111/7.1
2,580,755	1/1952	Funk	.
2,875,713	3/1959	Shoffner	D23/217

FIG. 1 is a front elevational view of the root feeder head assembly of the present invention; FIG. 2 is a bottom plan view thereof; FIG. 3 is a rear elevational view thereof; FIG. 4 is a top plan view thereof; FIG. 5 is a left side elevational view thereof; FIG. 6 is a right side elevational view thereof; and, FIG. 7 is a perspective view as seen from the top and side thereof.

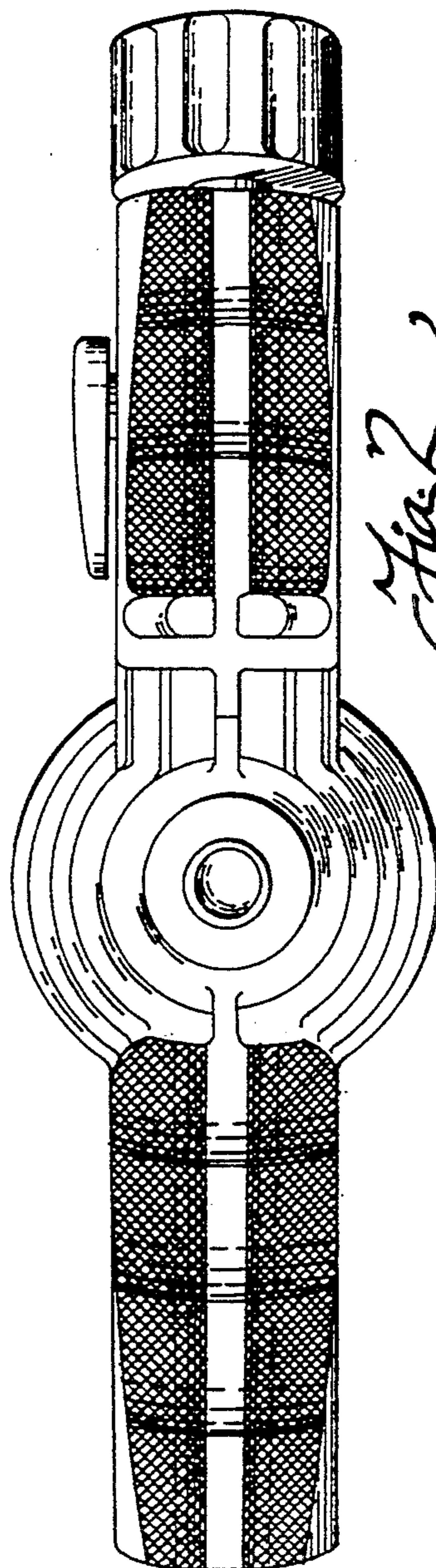




*Fig. 5*

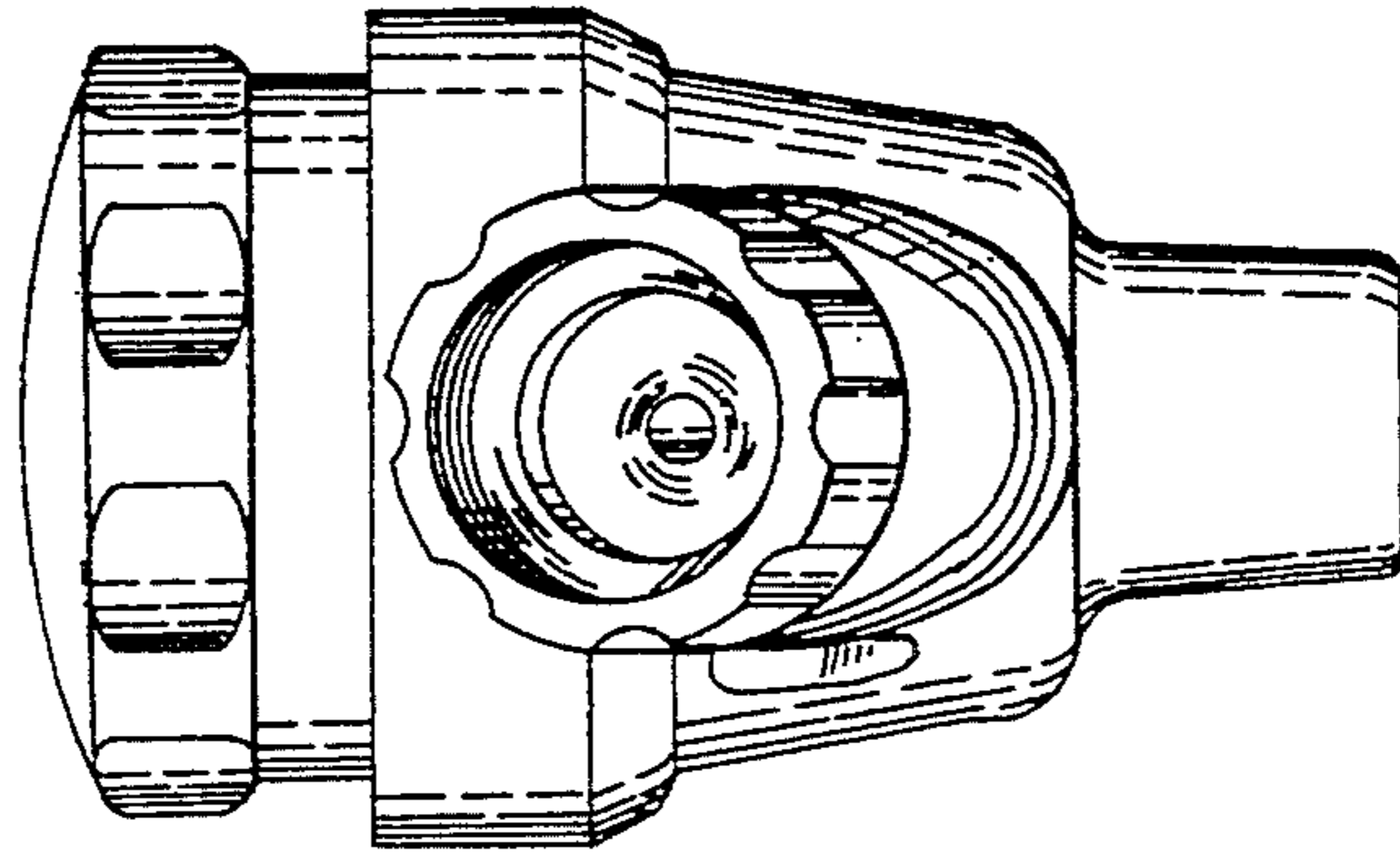


*Fig. 1*

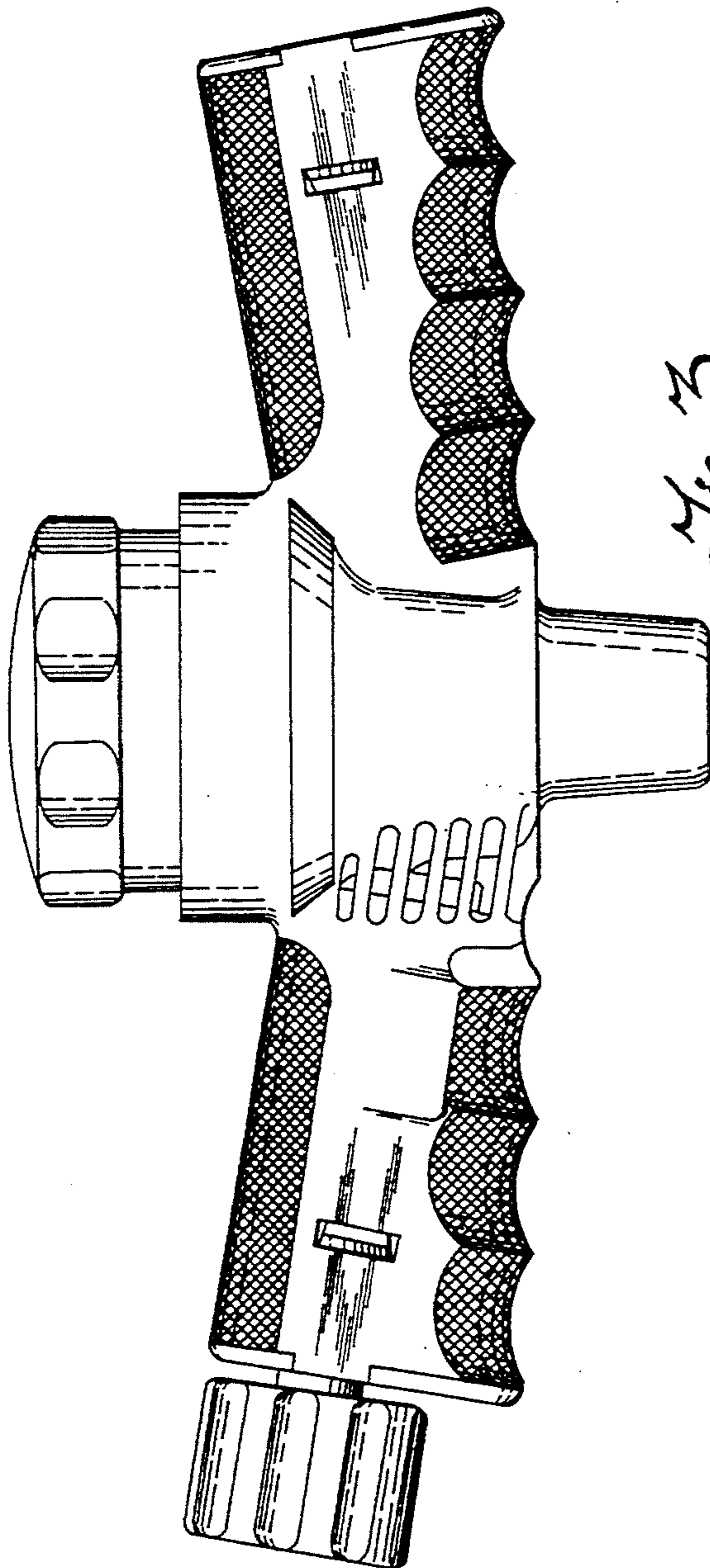


*Fig. 2*

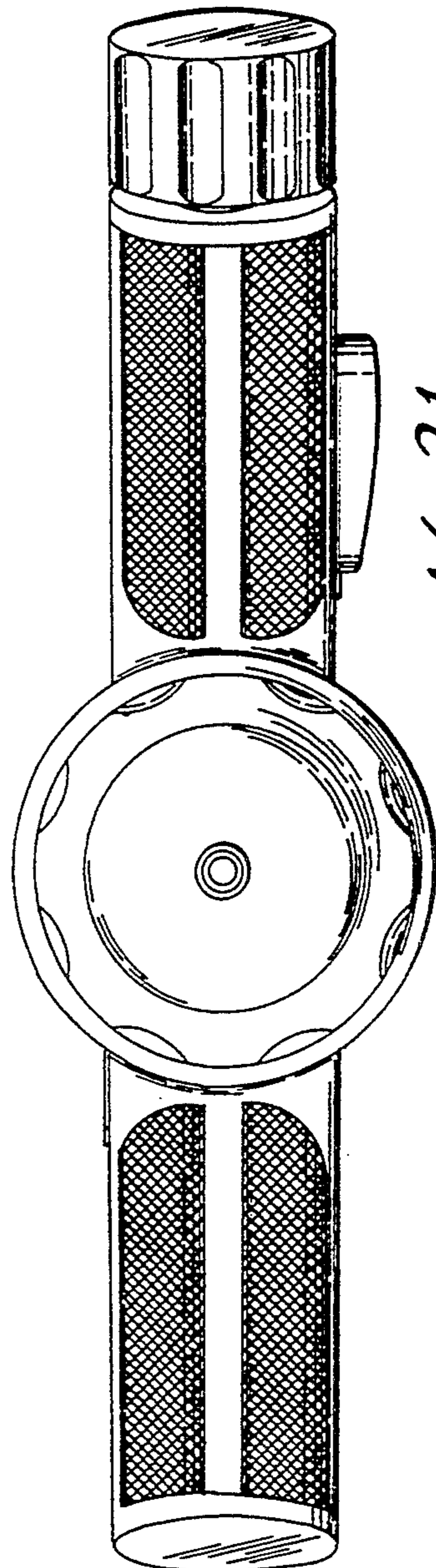




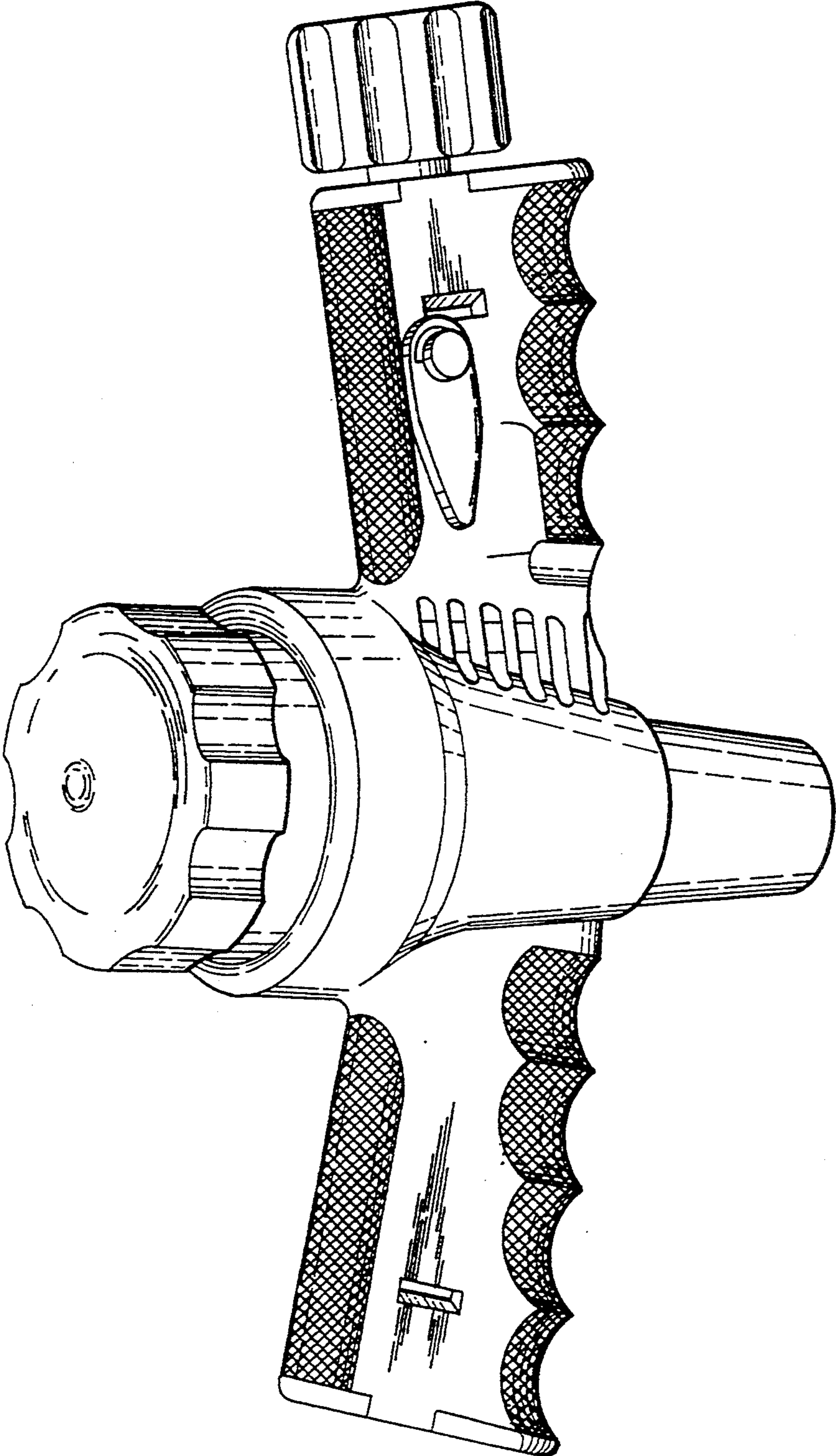
*Fig. 6*



*Fig. 5*



*Fig. 4*



*Fig 7*