



US00D357970S

United States Patent [19]

[11] Patent Number: **Des. 357,970**

Lupton et al.

[45] Date of Patent: **** May 2, 1995**

[54] **AERATION SPRAY ARM UNIT FOR USE IN SWIMMING POOLS**

[76] Inventors: **William G. Lupton; Joseph E. Boardman**, both of 2045 Main St., Chatham, Mass. 02633

[**] Term: **14 Years**

[21] Appl. No.: **8,193**

[22] Filed: **May 11, 1993**

[52] U.S. Cl. **D23/213**

[58] Field of Search **D23/213-220, D23/209; 239/200-206, 222.11-222.21, 230-233, 273, 275-276, 288, 288.3, 288.5, 443-444, 456, 550-552, 556-558, 565, 600; 210/169, 241**

[56] **References Cited**

U.S. PATENT DOCUMENTS

1,102,354	7/1914	Pouget	239/565
1,830,448	11/1931	Steinger	D23/220
1,847,763	3/1932	Keys	D23/220

Primary Examiner—James M. Gandy
Assistant Examiner—Robin V. Taylor
Attorney, Agent, or Firm—Thomas A. Kahrl

[57] **CLAIM**

The ornamental design for aeration spray arm unit for use in swimming pools, as shown and described.

DESCRIPTION

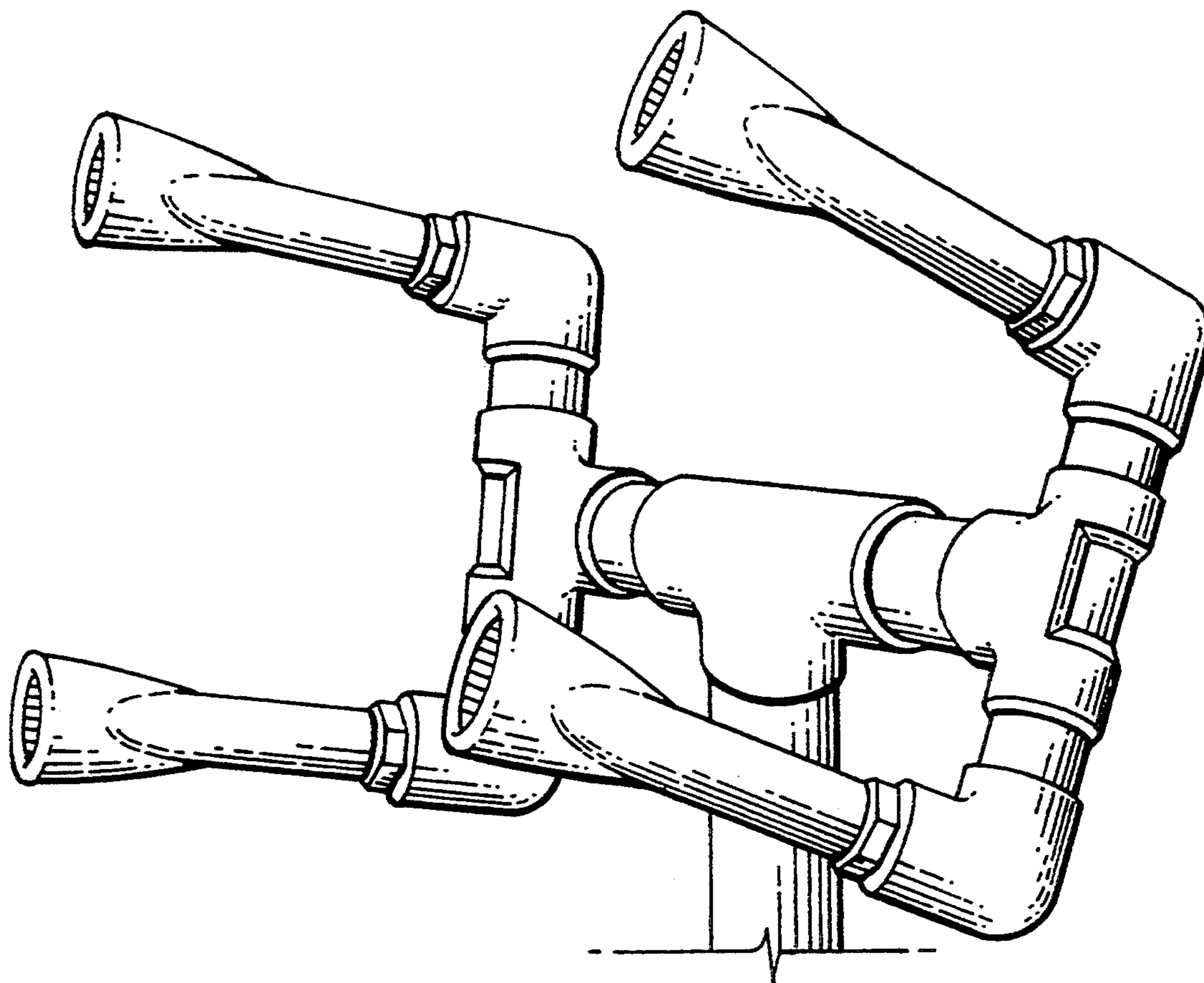
FIG. 1 is a right, front perspective view of an aeration spray arm unit for use in swimming pools showing our new design with the undisclosed rear of the pipes and coupling elements being the same in appearance;

FIG. 2 is a top plan view thereof, the bottom view being a mirror image; and,

FIG. 3 is a right side new thereof, the left side view being a mirror image.

The undisclosed rear is plain and follows the contour as indicated. The pipe element is fragmentarily shown to indicate intermediate length.

In FIGS. 1 and 3, the pipe is shown broken away to indicate indeterminate length.



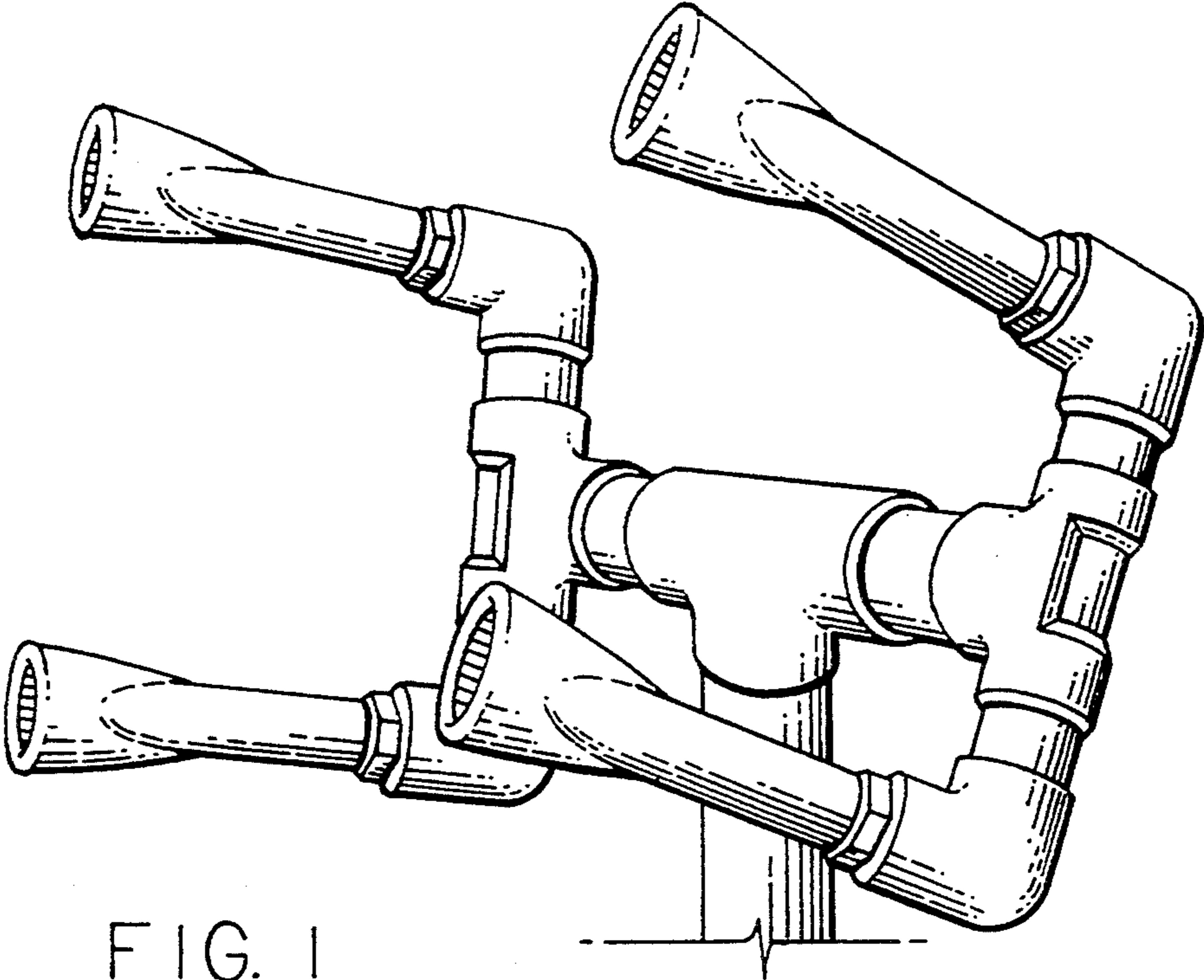


FIG. 1

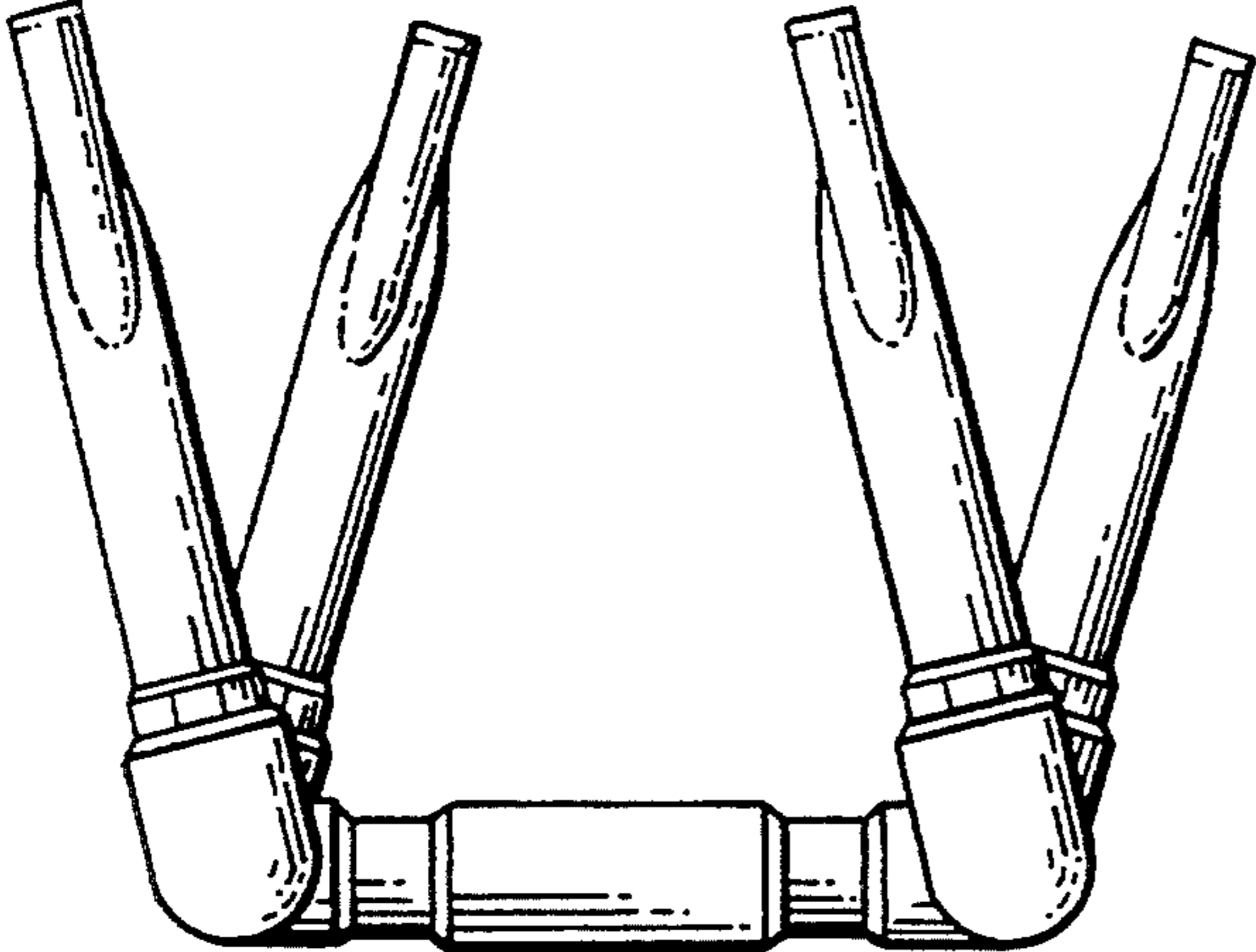


FIG. 2

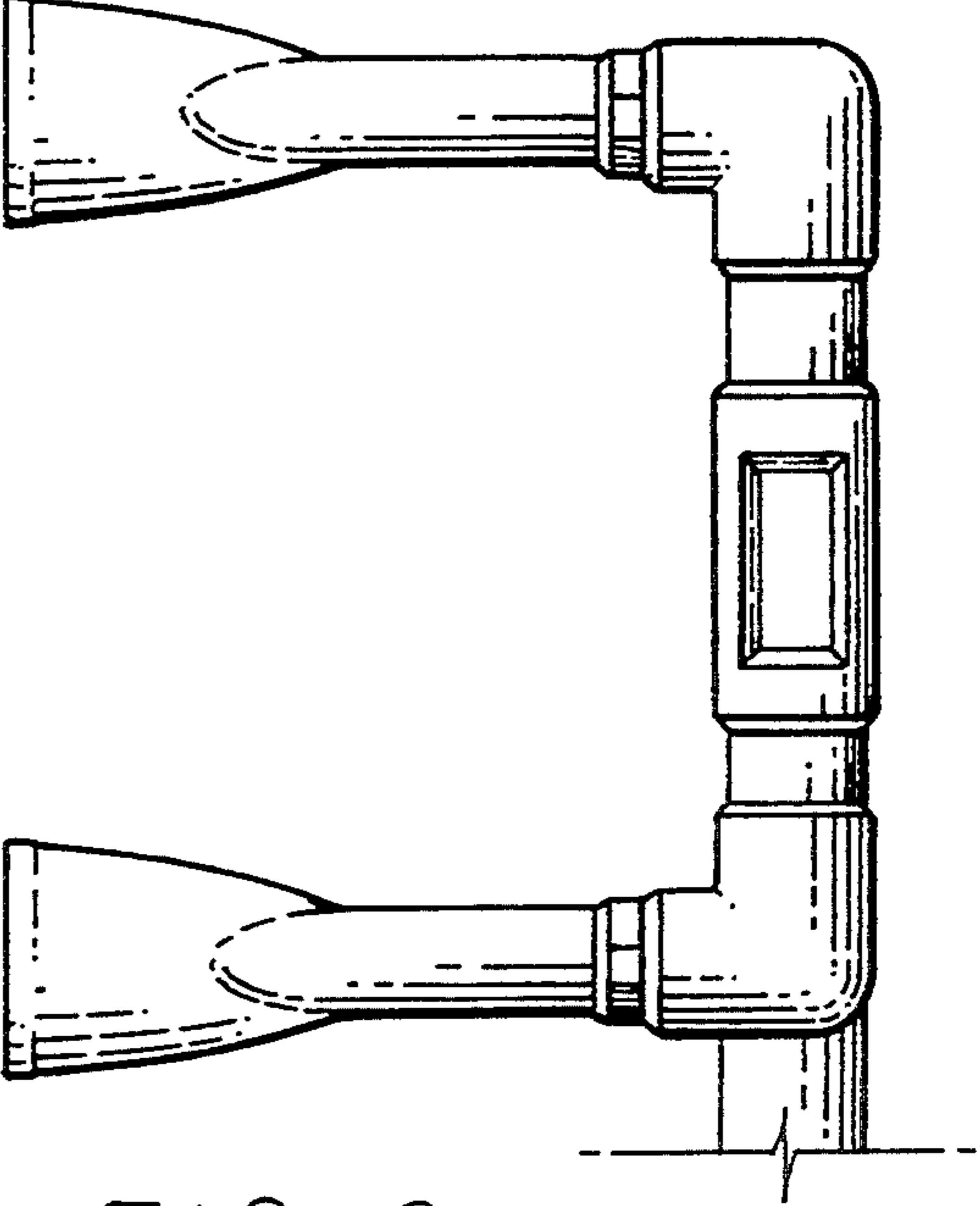


FIG. 3