



US00D357967S

United States Patent [19]

[11] Patent Number: **Des. 357,967**

Colby

[45] Date of Patent: **** May 2, 1995**

[54] **UNIVERSAL REGULATOR UNIT FOR AIRGUNS**

5,000,155 3/1991 Gallagher 124/71
5,230,324 7/1993 Van Aorssen et al. 124/61

[75] Inventor: **Daniel H. Colby, Des Plaines, Ill.**

Primary Examiner—A. Hugo Word
Assistant Examiner—Catherine R. Oliver
Attorney, Agent, or Firm—Robert J. Black

[73] Assignee: **Air America, Glenview, Ill.**

[**] Term: **14 Years**

[57] **CLAIM**

[21] Appl. No.: **15,814**

The ornamental design for a universal regulator unit for airguns, as shown and described.

[22] Filed: **Nov. 30, 1993**

DESCRIPTION

[52] U.S. Cl. **D22/103**

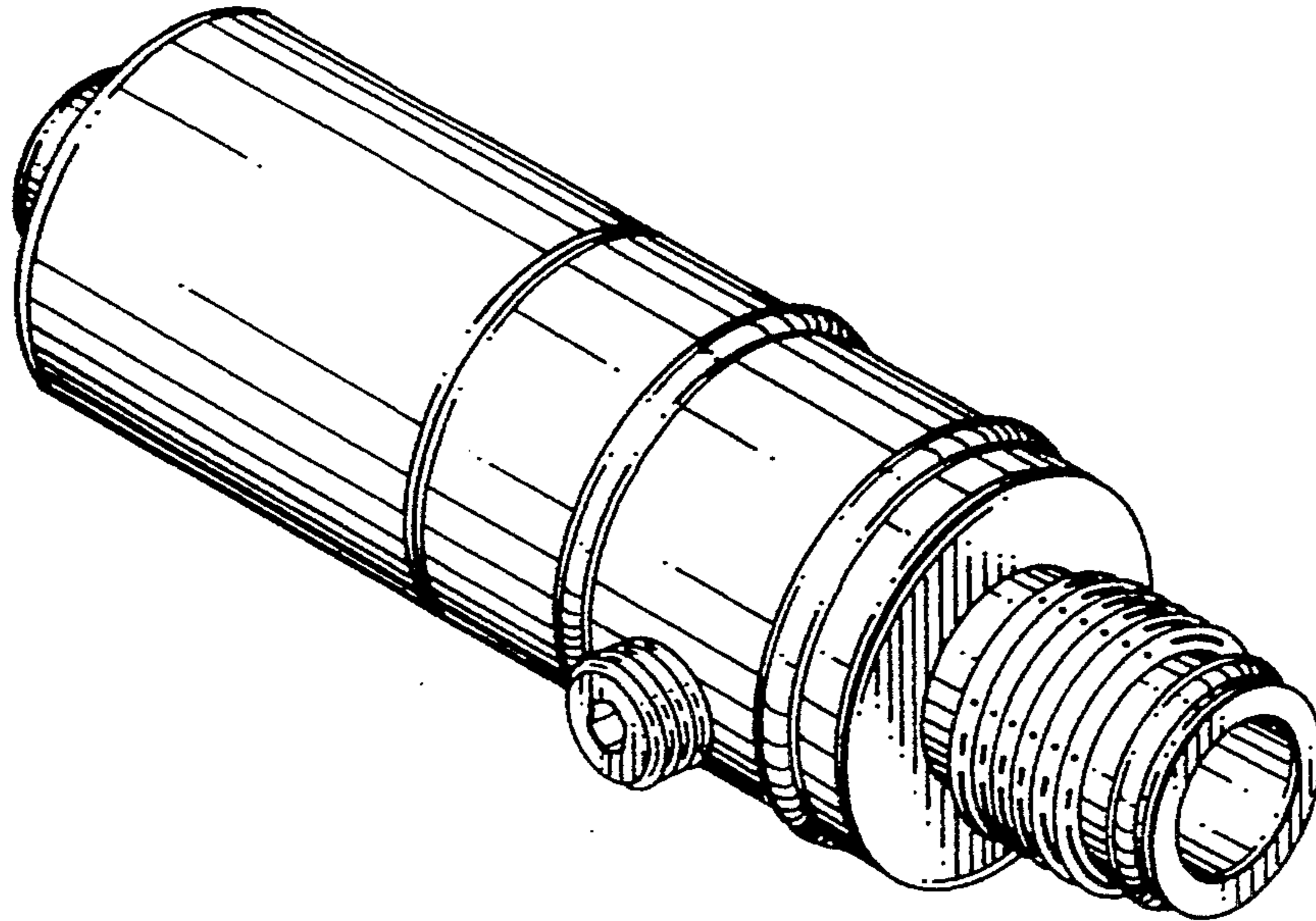
[58] Field of Search **D22/103, 108; 124/56, 124/58, 60, 71, 72, 73, 74; 141/21**

FIG. 1 is a perspective view of a universal regulator unit for airguns showing my new design;
FIG. 2 is a left side elevational view with the right side being a mirror image thereof;
FIG. 3 is a top plan view with the bottom being a mirror image thereof;
FIG. 4 is a front end elevational view thereof; and,
FIG. 5 is a rear end elevational view thereof.

[56] **References Cited**

U.S. PATENT DOCUMENTS

2,251,836 8/1941 Schmidt 124/58
2,605,756 8/1952 Bertschinger 124/58



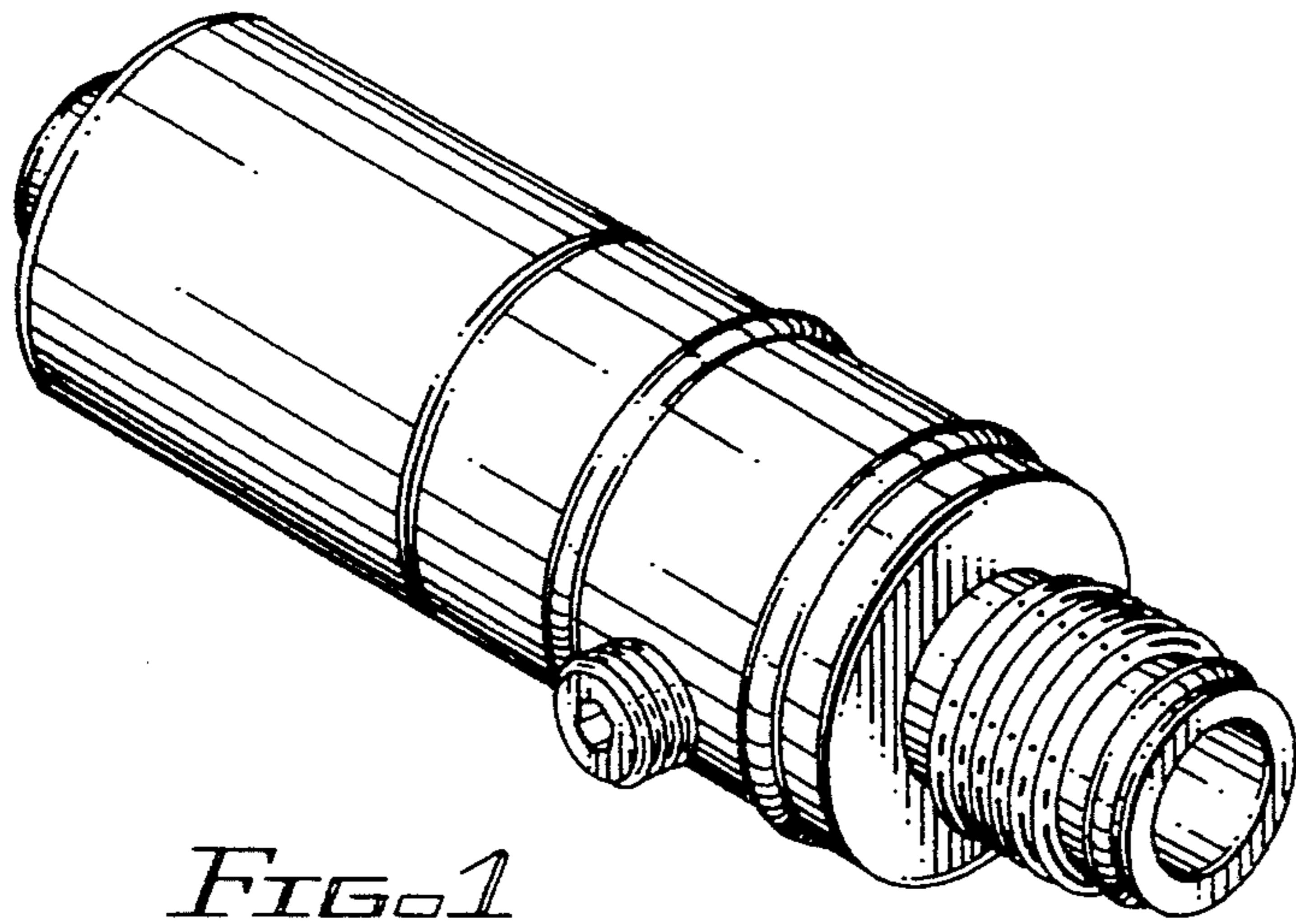


FIG. 1

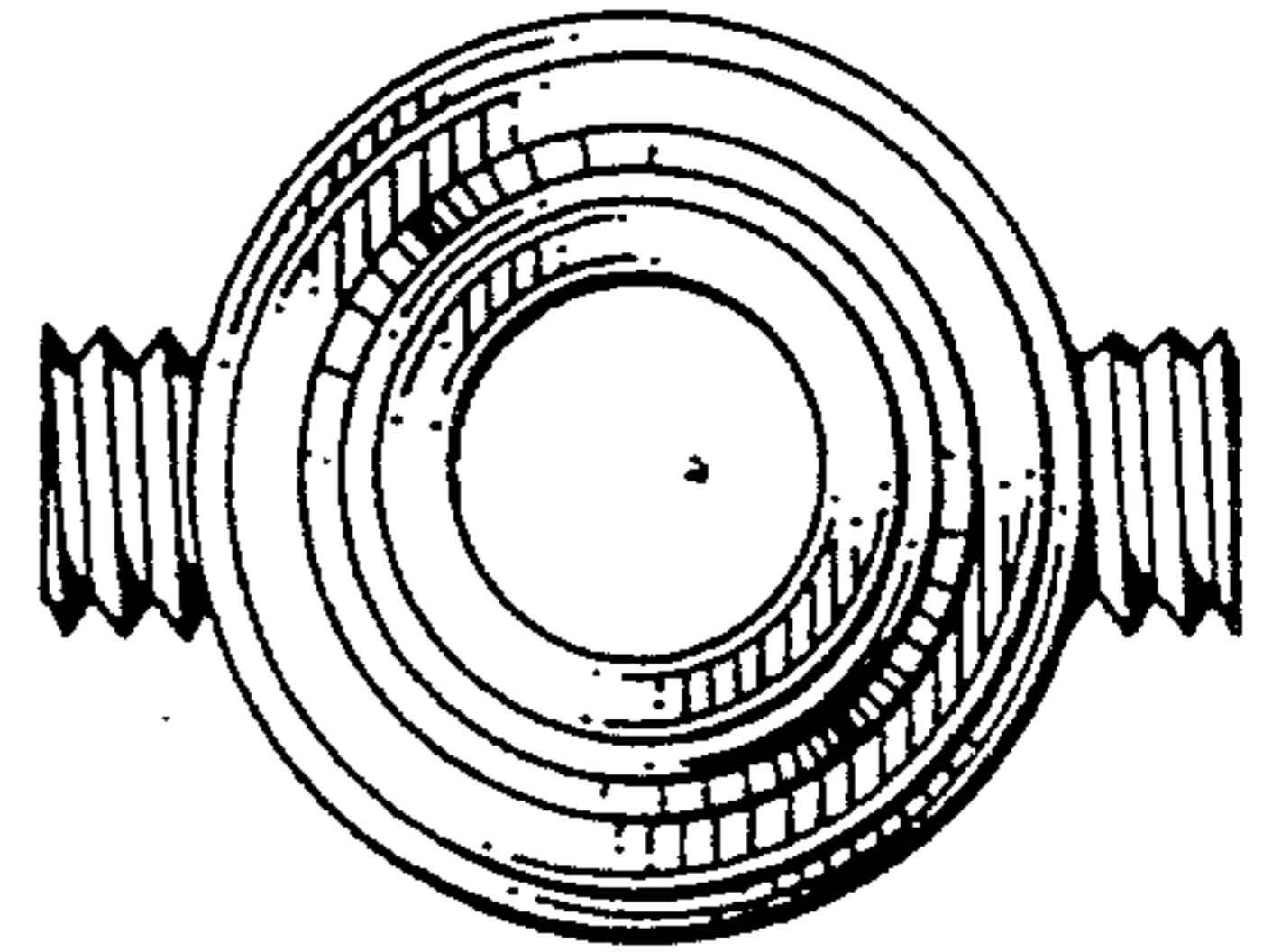


FIG. 4

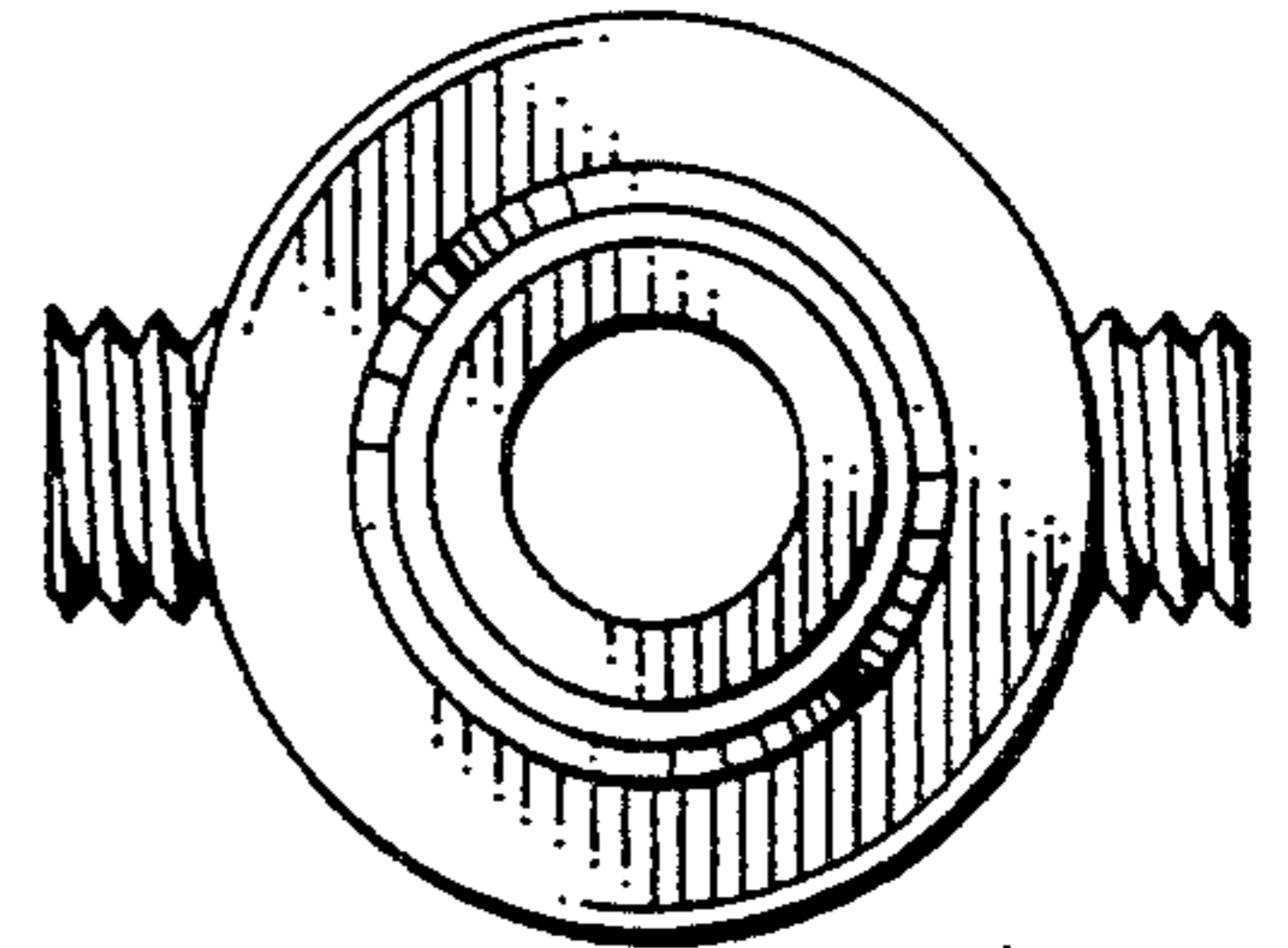


FIG. 5

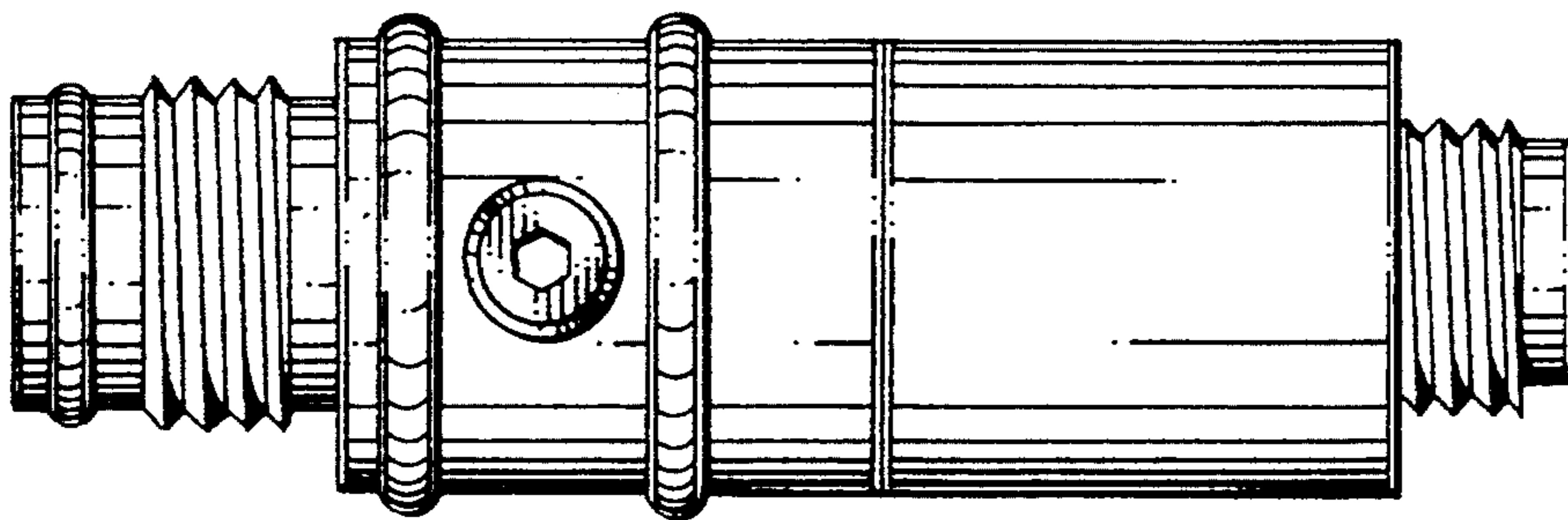


FIG. 2

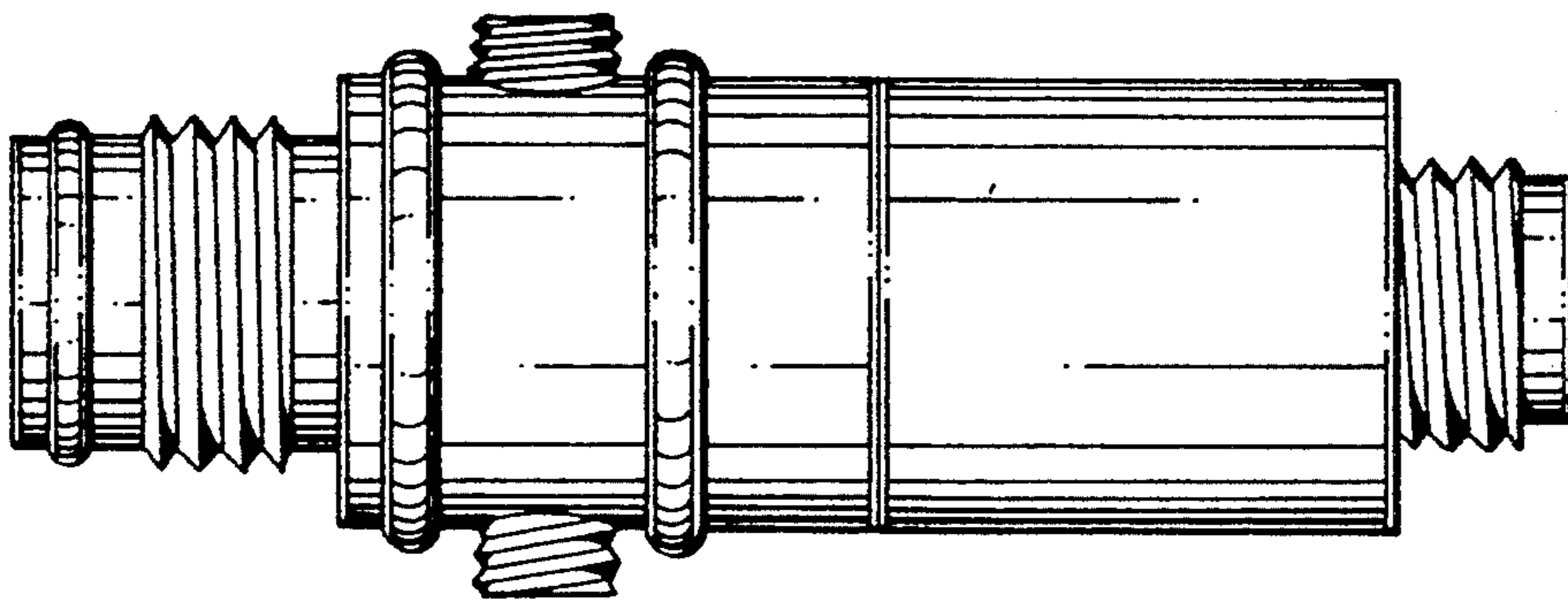


FIG. 3