



US00D357964S

United States Patent [19]

[11] Patent Number: **Des. 357,964**

Williams

[45] Date of Patent: **** May 2, 1995**

[54] **MULTIPURPOSE TOOL FOR GOLFERS**

D. 249,574 9/1978 Krlevich D21/234
3,622,157 11/1971 Hatch 273/32 B X
5,292,120 3/1994 Pehoski et al. 273/32 B

[76] Inventor: **Thomas F. Williams**, 1552 Husted Ave., San Jose, Calif. 95125

Primary Examiner—Theodore M. Shooman
Assistant Examiner—Cheri Cohen
Attorney, Agent, or Firm—Jack C. Munro

[**] Term: **14 Years**

[21] Appl. No.: **28,018**

[57] **CLAIM**

[22] Filed: **Sep. 2, 1994**

The ornamental design for multipurpose tool for golfers, as shown and described.

Related U.S. Application Data

DESCRIPTION

[63] Continuation of Ser. No. 955,418, Oct. 2, 1992, abandoned.

FIG. 1 is an isometric view of the multipurpose tool for golfers showing my new design;

[52] U.S. Cl. **D21/234**

FIG. 2 is a front view thereof;

[58] Field of Search **D21/234; 273/32 B**

FIG. 3 is a right side view thereof;

[56] **References Cited**

FIG. 4 is a left side view thereof;

U.S. PATENT DOCUMENTS

FIG. 5 is a rear view thereof;

D. 197,342 1/1964 Doble D21/234

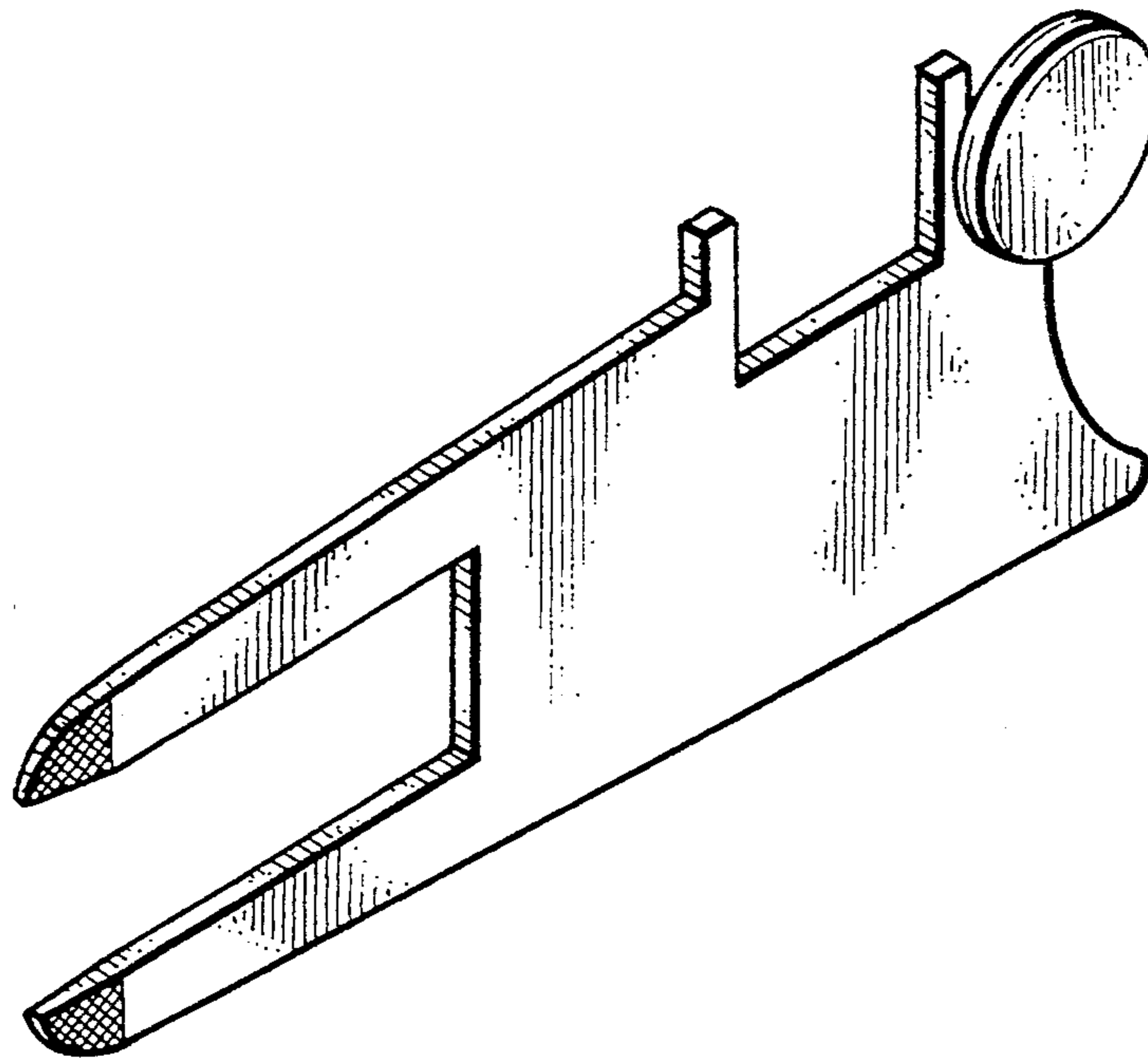
FIG. 6 is a top view thereof;

D. 209,973 1/1968 Klitzner D21/234

FIG. 7 is a bottom view thereof; and,

D. 243,868 3/1977 Williams, Jr. D21/234

FIG. 8 is an isometric view thereof; with the ball marker removed for clarity of illustration.



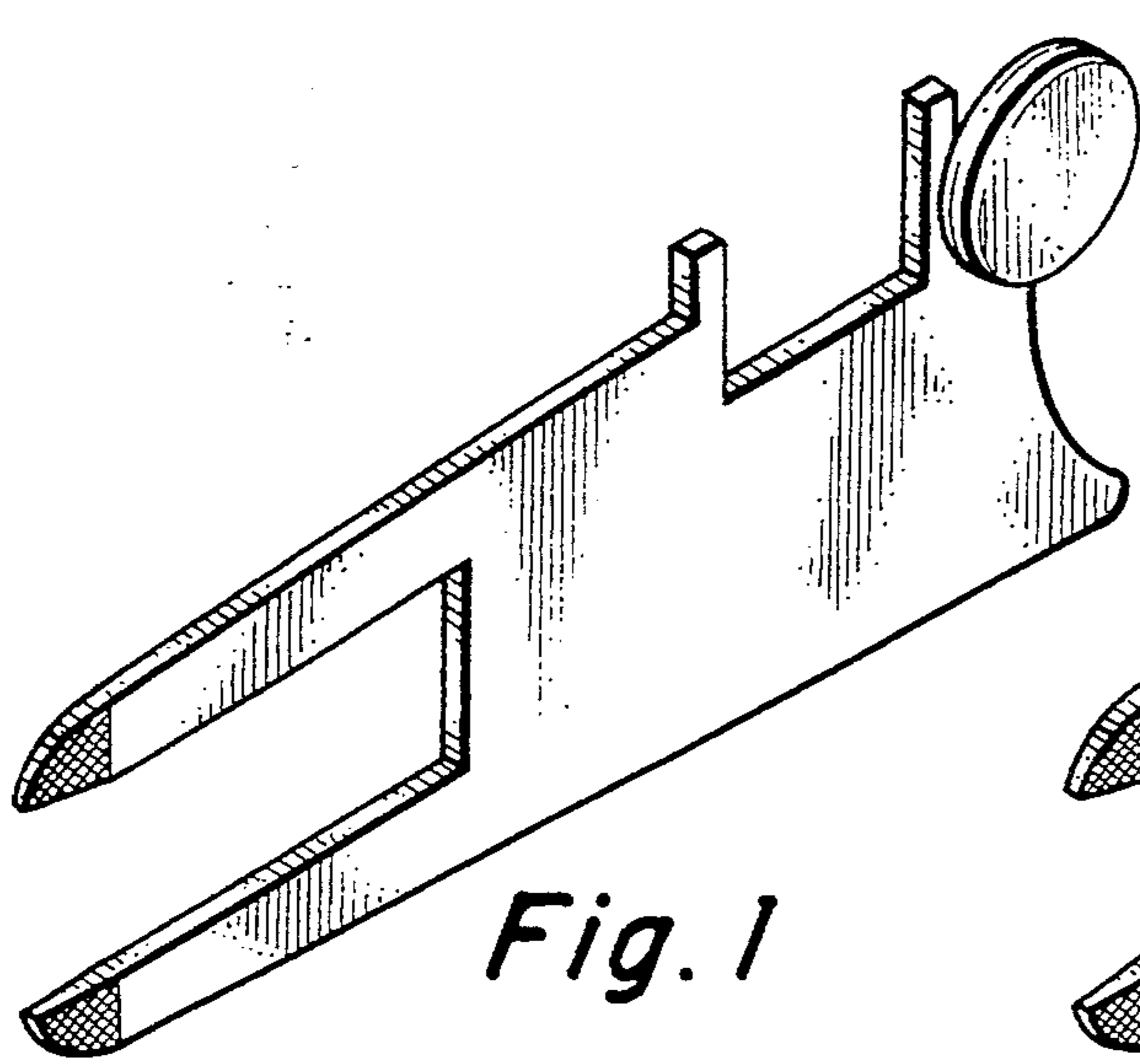


Fig. 1

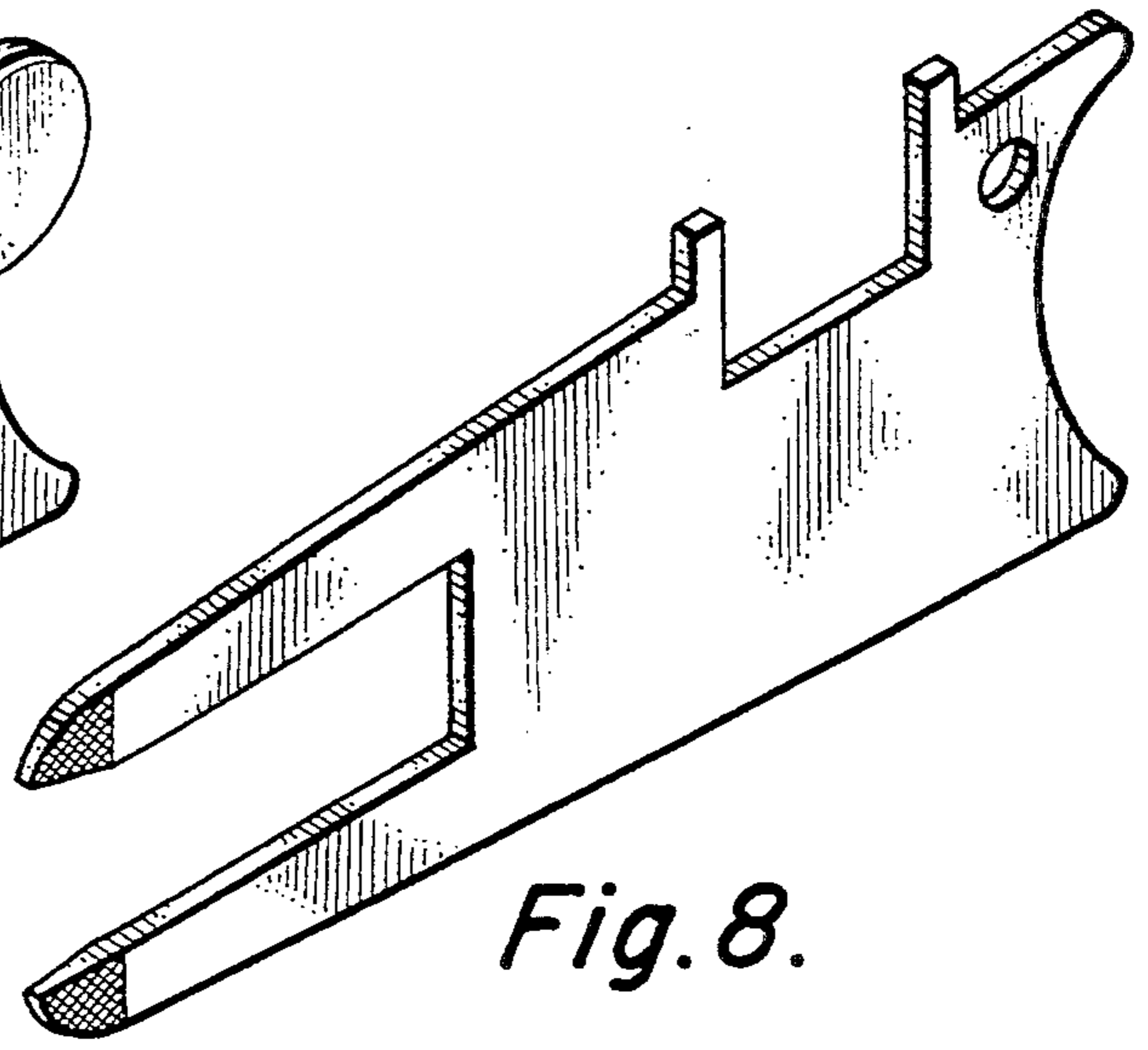


Fig. 8.



Fig. 2.

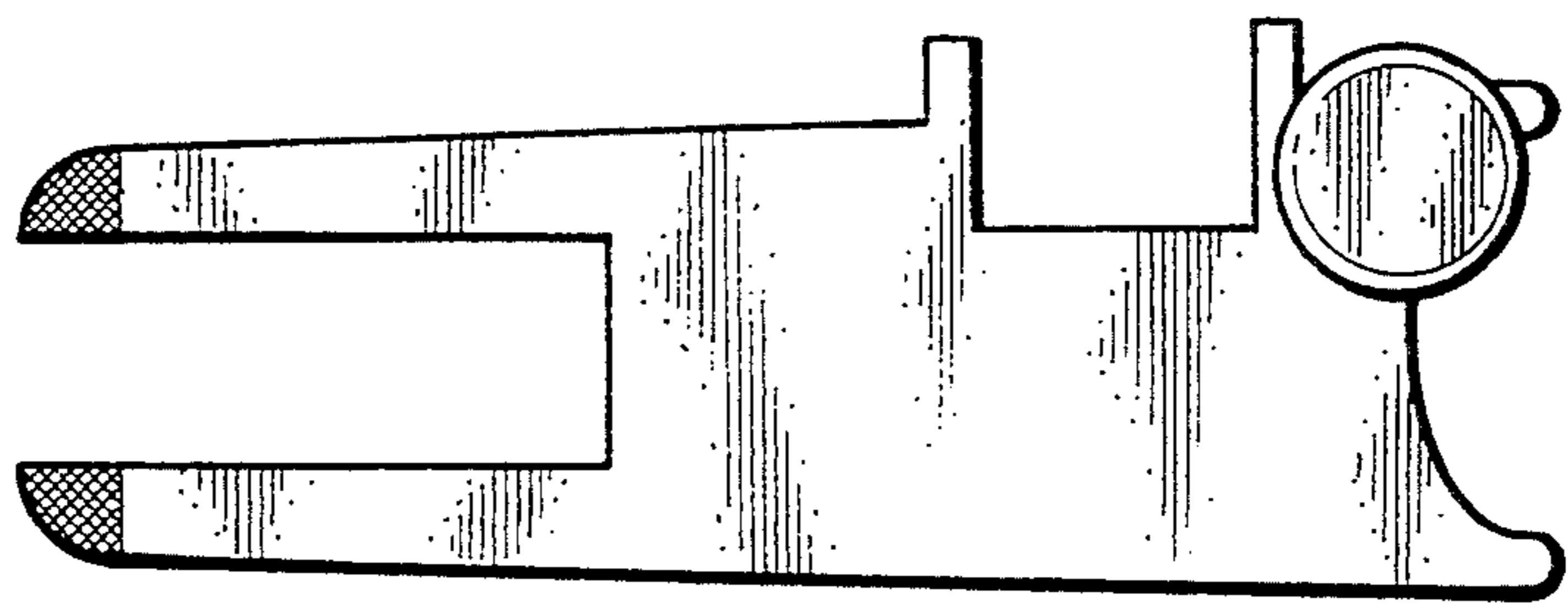


Fig. 3.

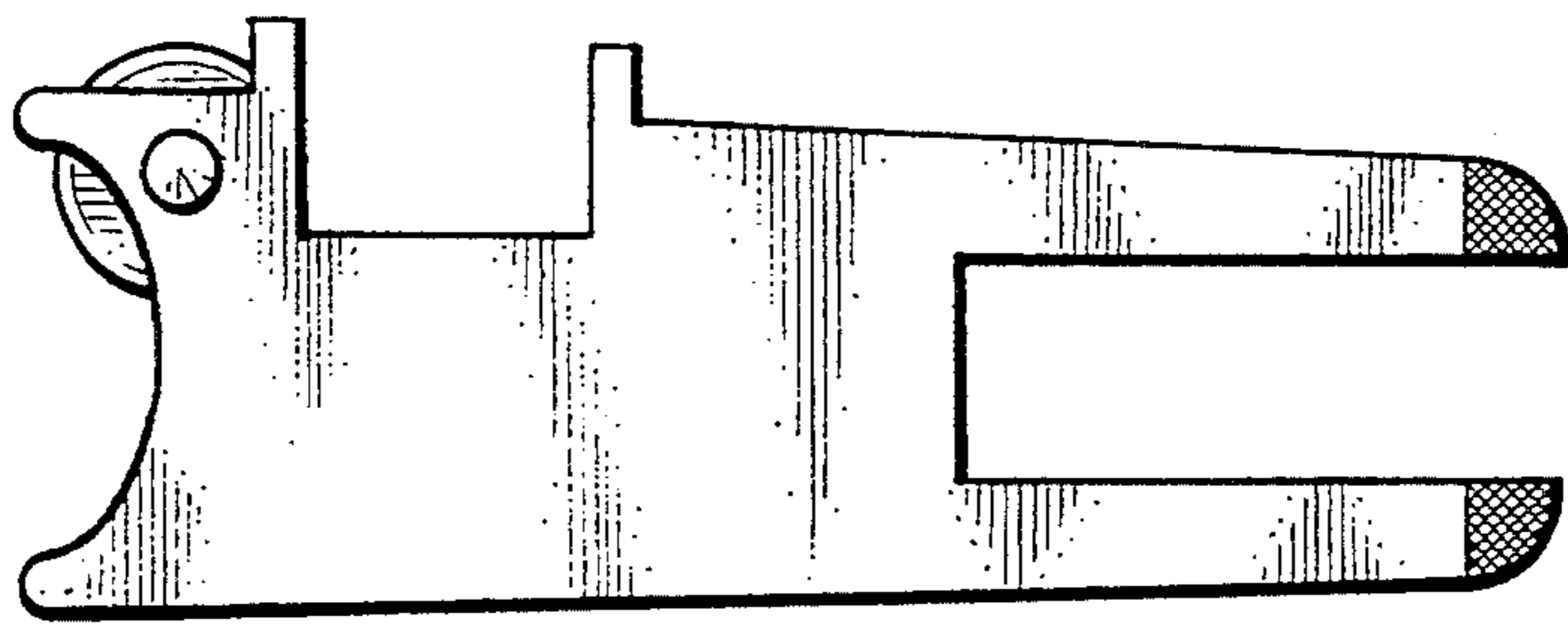


Fig. 4.

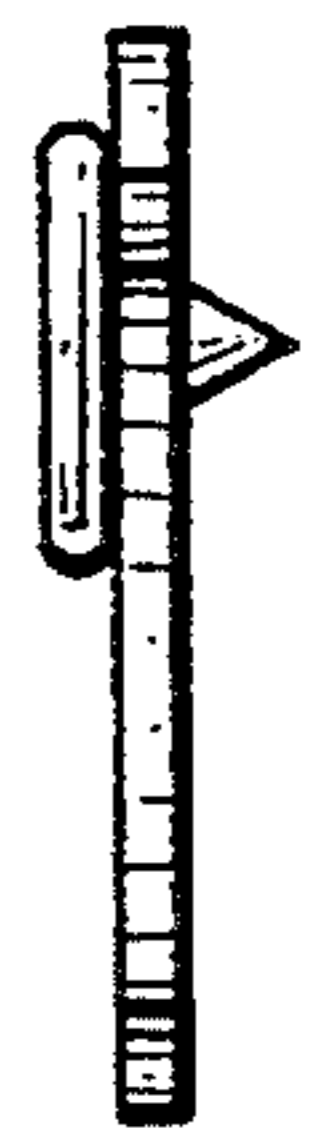


Fig. 5.



Fig. 6.



Fig. 7.