



US00D357963S

# United States Patent [19]

[11] Patent Number: **Des. 357,963**

Amburgey et al.

[45] Date of Patent: **\*\* May 2, 1995**

[54] **BOWLING GAME**

[75] Inventors: **James D. Amburgey, Richardson; Jay M. Bro; Peter J. Myers, both of Plano; Robert H. Escher, Lewisville, all of Tex.**

[73] Assignee: **Today's Kids, Inc., Boonesville, Ark.**

[\*\*] Term: **14 Years**

[21] Appl. No.: **18,403**

[22] Filed: **Feb. 4, 1994**

[52] U.S. Cl. .... **D21/233**

[58] Field of Search ..... **D21/233, 7.11; 473/54, 473/115, 116, 117; 273/85 R, 85 E, 125 R, 119 R, 118 D, 118 R, 236, 287, 127 A, 127 B, 127 C, 10; 446/4**

4,265,449 5/1981 Reiner et al. .  
4,345,402 8/1982 Hanson et al. .  
4,804,182 2/1989 Egger ..... 473/115  
5,135,221 8/1992 Barlow .

### OTHER PUBLICATIONS

Brunswick Cat. 1971, p. 44 (from 473-54 Shoe).  
*Primary Examiner*—Prabhakar G. Deshmukh  
*Attorney, Agent, or Firm*—Kirkpatrick & Lockhart

### CLAIM

[57] The ornamental design for the bowling game, as shown and described.

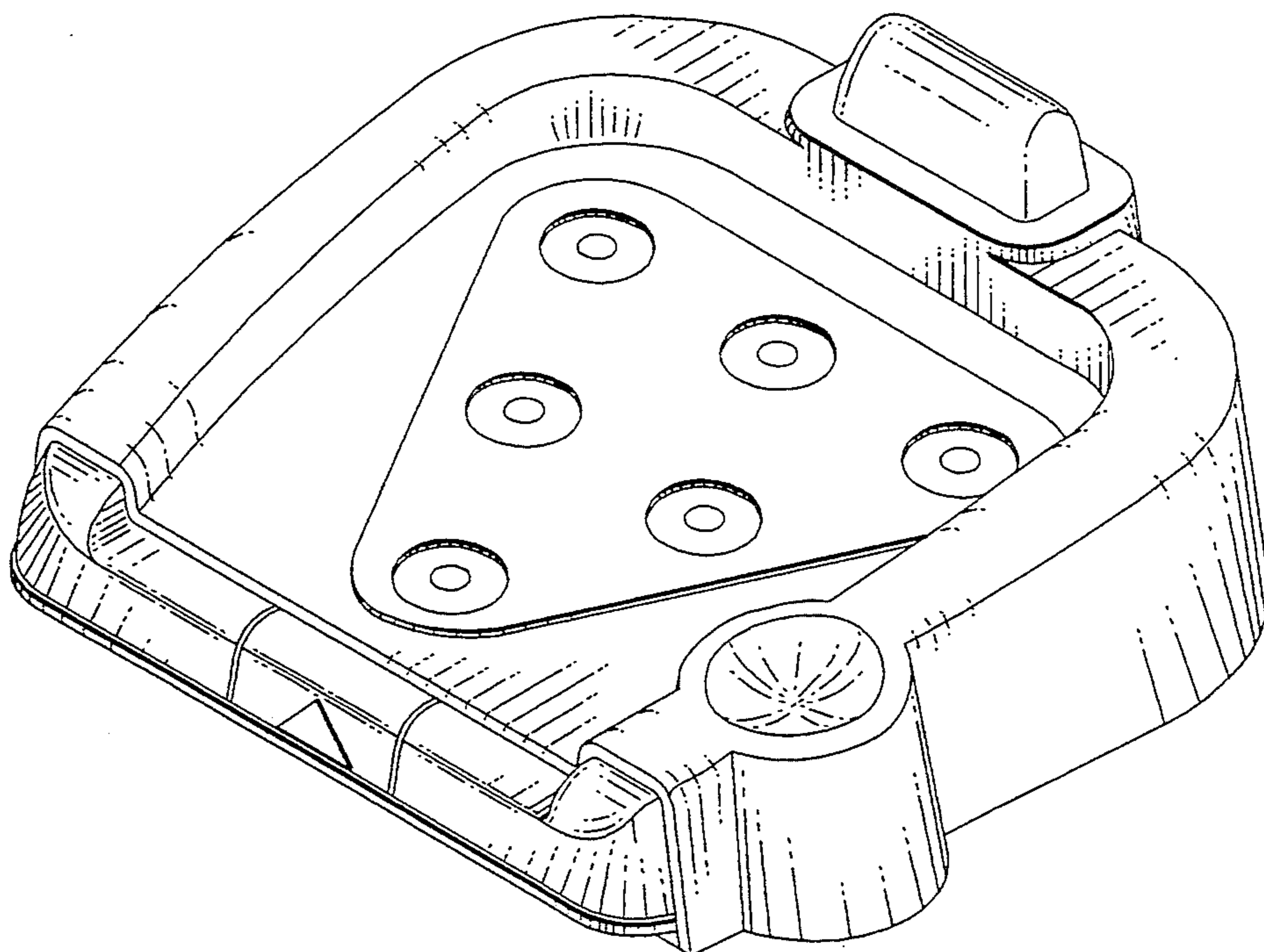
### DESCRIPTION

FIG. 1 is a perspective view of a bowling game showing our new design;  
FIG. 2 is a front elevational view of the bowling game illustrated in FIG. 1;  
FIG. 3 is a rear elevational view of the bowling game illustrated in FIG. 1;  
FIG. 4 is a right side elevational view of the bowling game illustrated in FIG. 1;  
FIG. 5 is a left side elevational view of the bowling game illustrated in FIG. 1;  
FIG. 6 is a top view of the bowling game illustrated in FIG. 1;  
FIG. 7 is a bottom view of the bowling game illustrated in FIG. 1; and,  
FIG. 8 is a perspective view of the bowling game illustrated in FIG. 1, with a possible position of a bowling ball and bowling pins shown in broken lines.  
The broken showing of a bowling ball and bowling pins is for illustrative purposes only and forms no part of the claim.

[56] **References Cited**

#### U.S. PATENT DOCUMENTS

D. 235,896	7/1975	Browerman .	
D. 240,750	7/1976	Breslow et al. .	
D. 246,675	12/1977	Neymarc .	
D. 309,490	7/1990	Davis et al. ....	D21/233
D. 309,922	8/1990	Jorgensen .	
D. 343,219	1/1994	Unterberger .....	D21/233
1,106,859	8/1914	Ayers .	
1,608,139	11/1926	Scherer .	
2,776,137	1/1957	Cohn .	
3,059,924	10/1962	Brown .....	473/116
3,306,619	2/1967	Brandell .	
3,462,153	8/1969	Giraud et al. .	
3,463,490	8/1969	Annessa .....	473/116
3,703,288	11/1972	Vogel et al. .	
3,704,889	12/1972	Huffman et al. ....	273/119 R
3,791,653	2/1974	Yamada .	



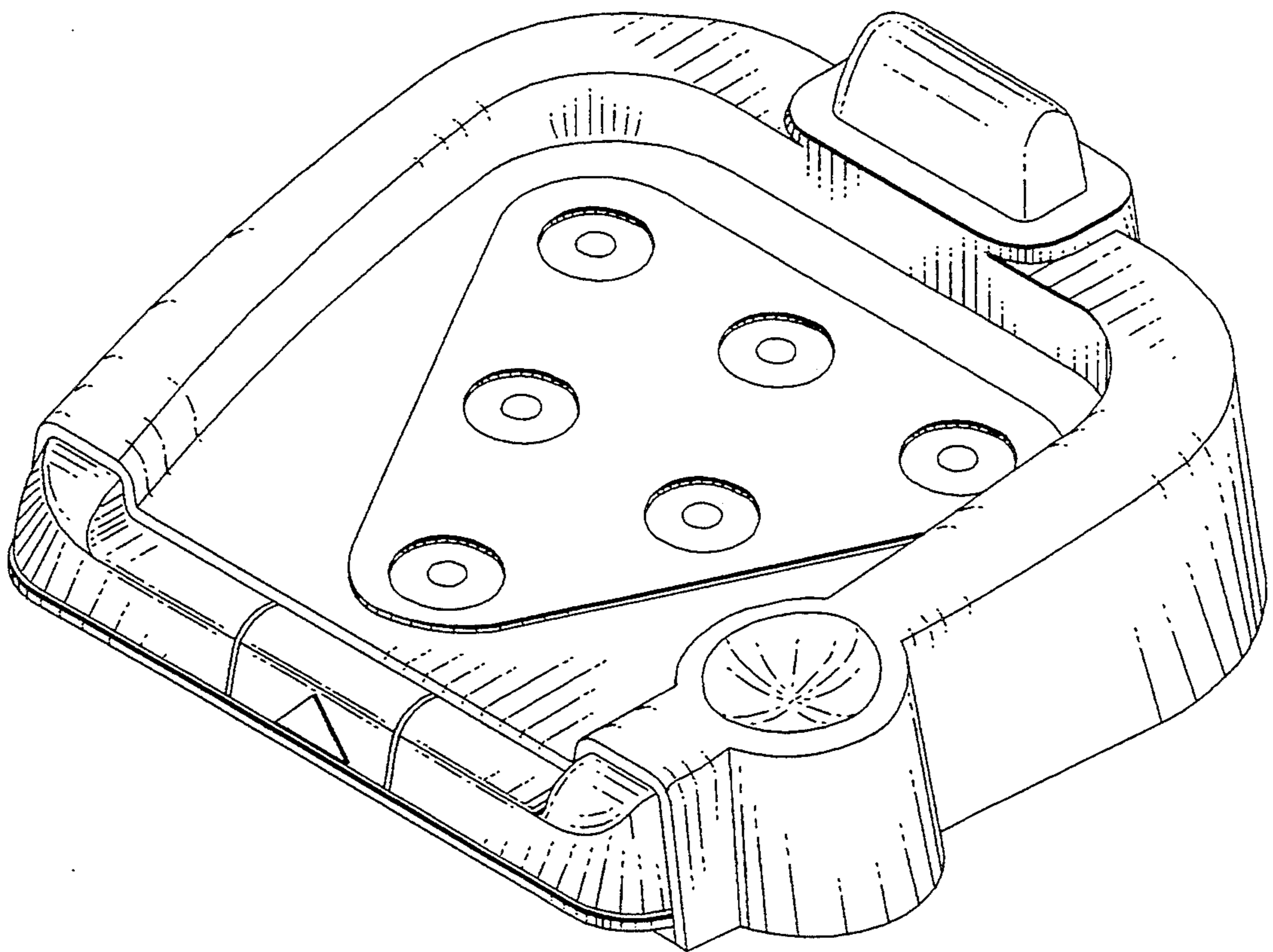


FIG. 1

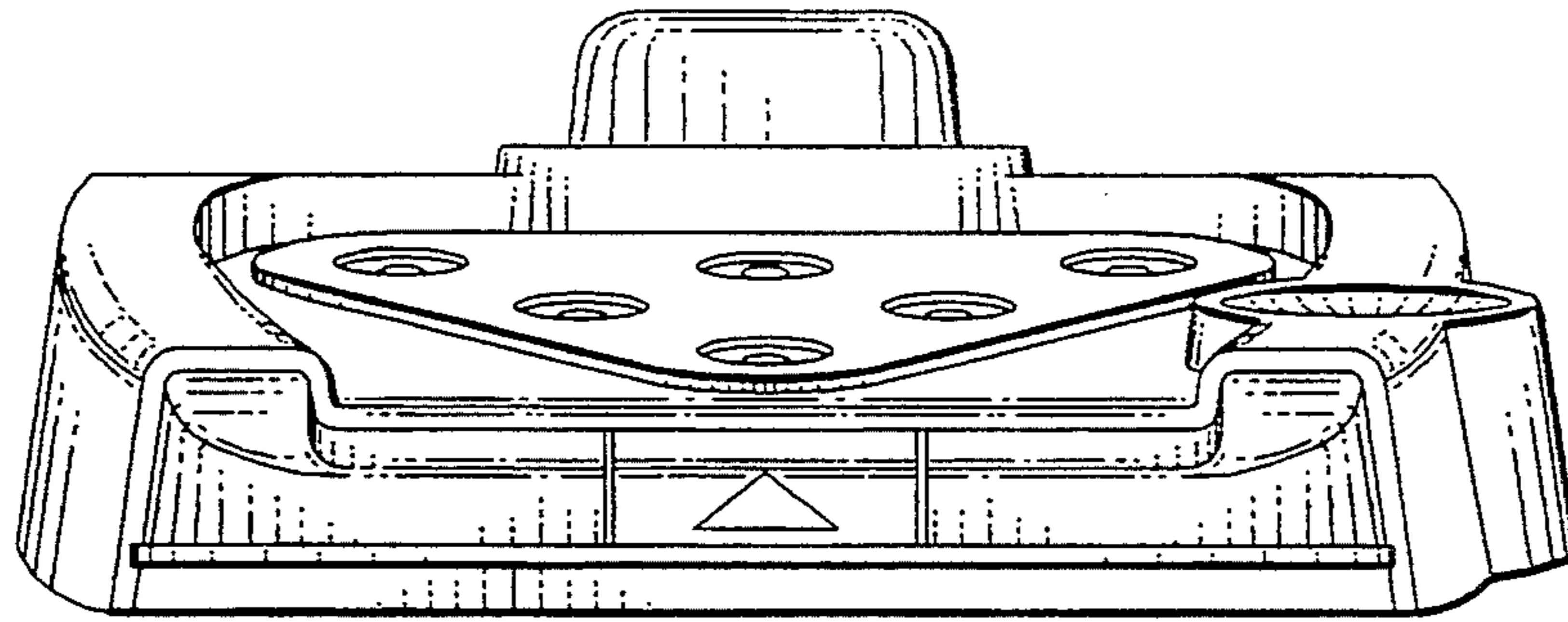


FIG. 2

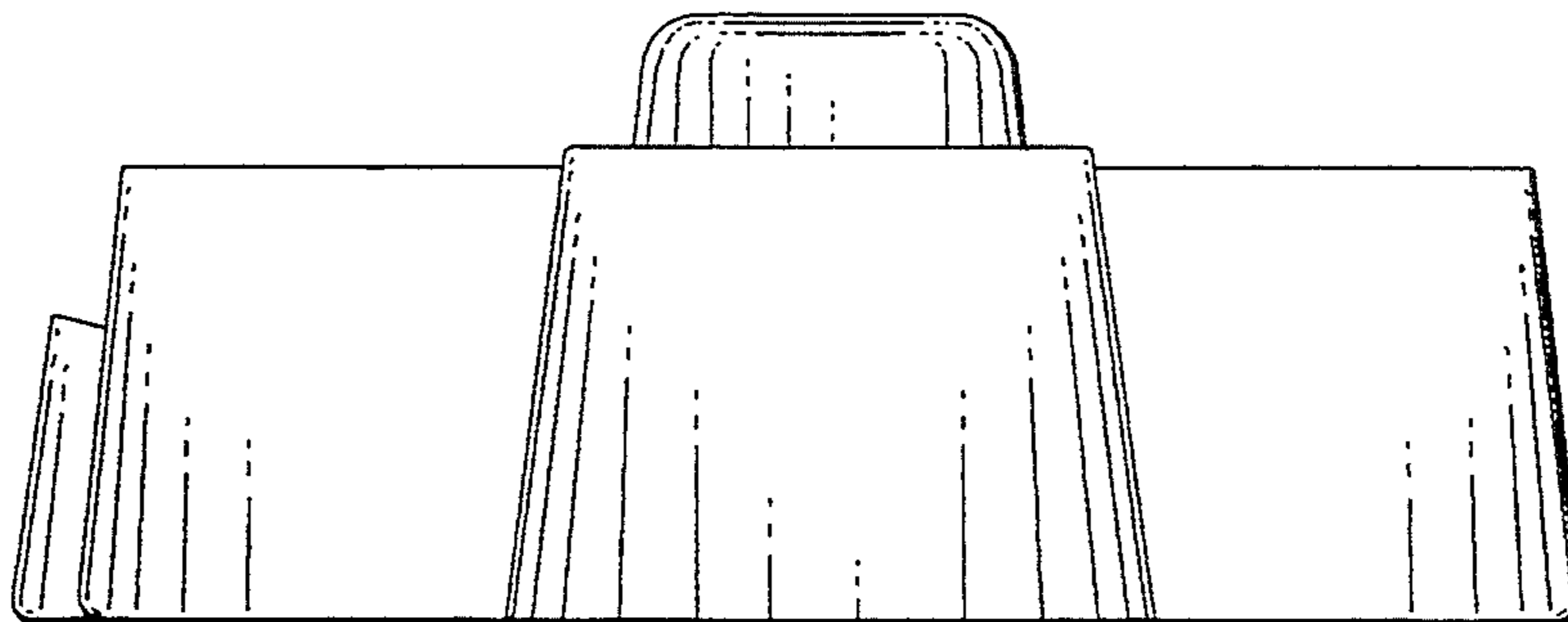


FIG. 3

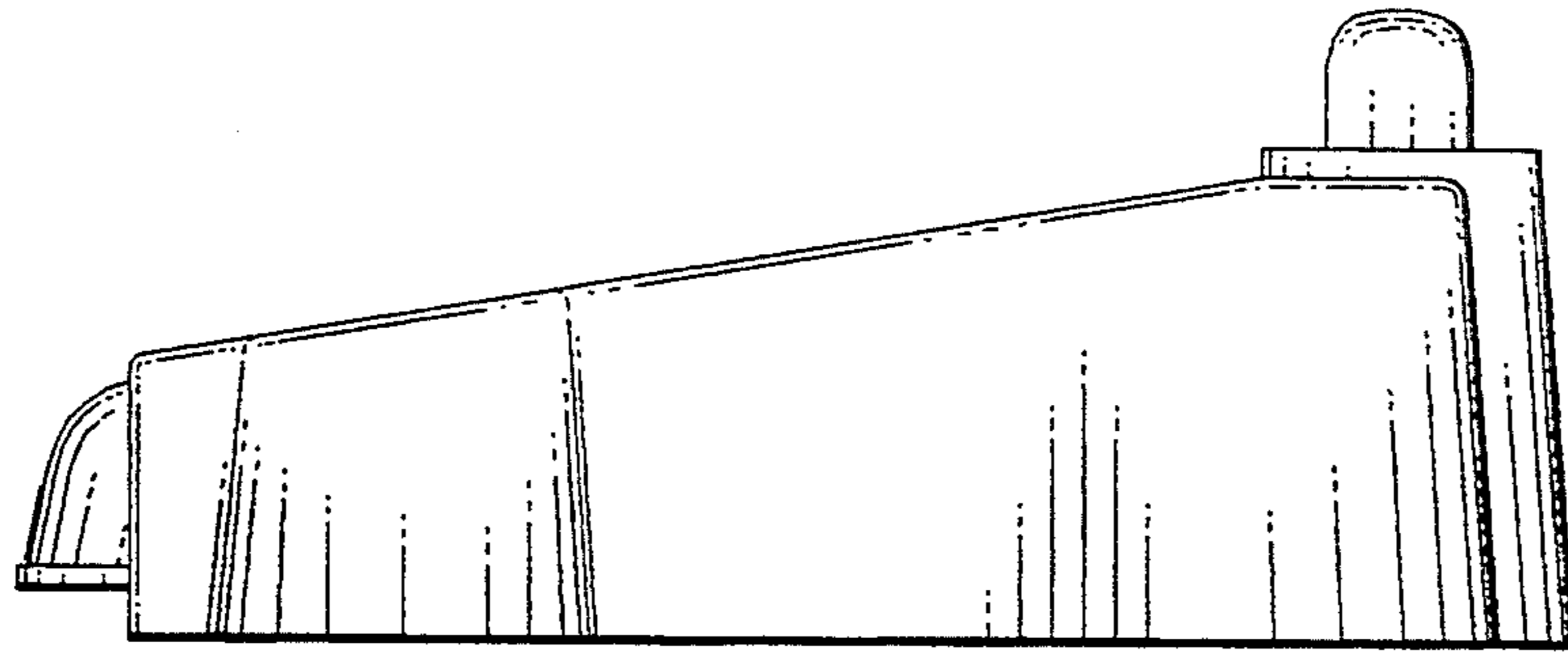


FIG. 4

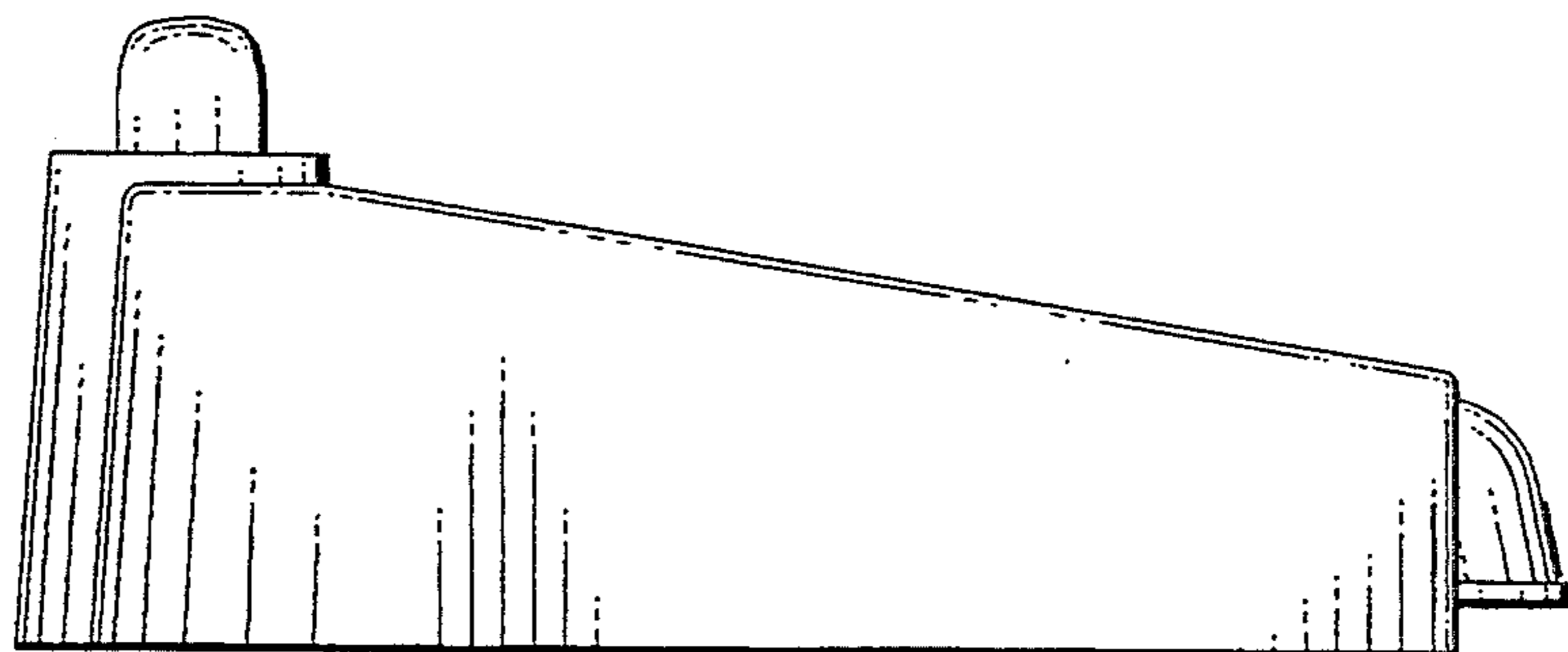


FIG. 5

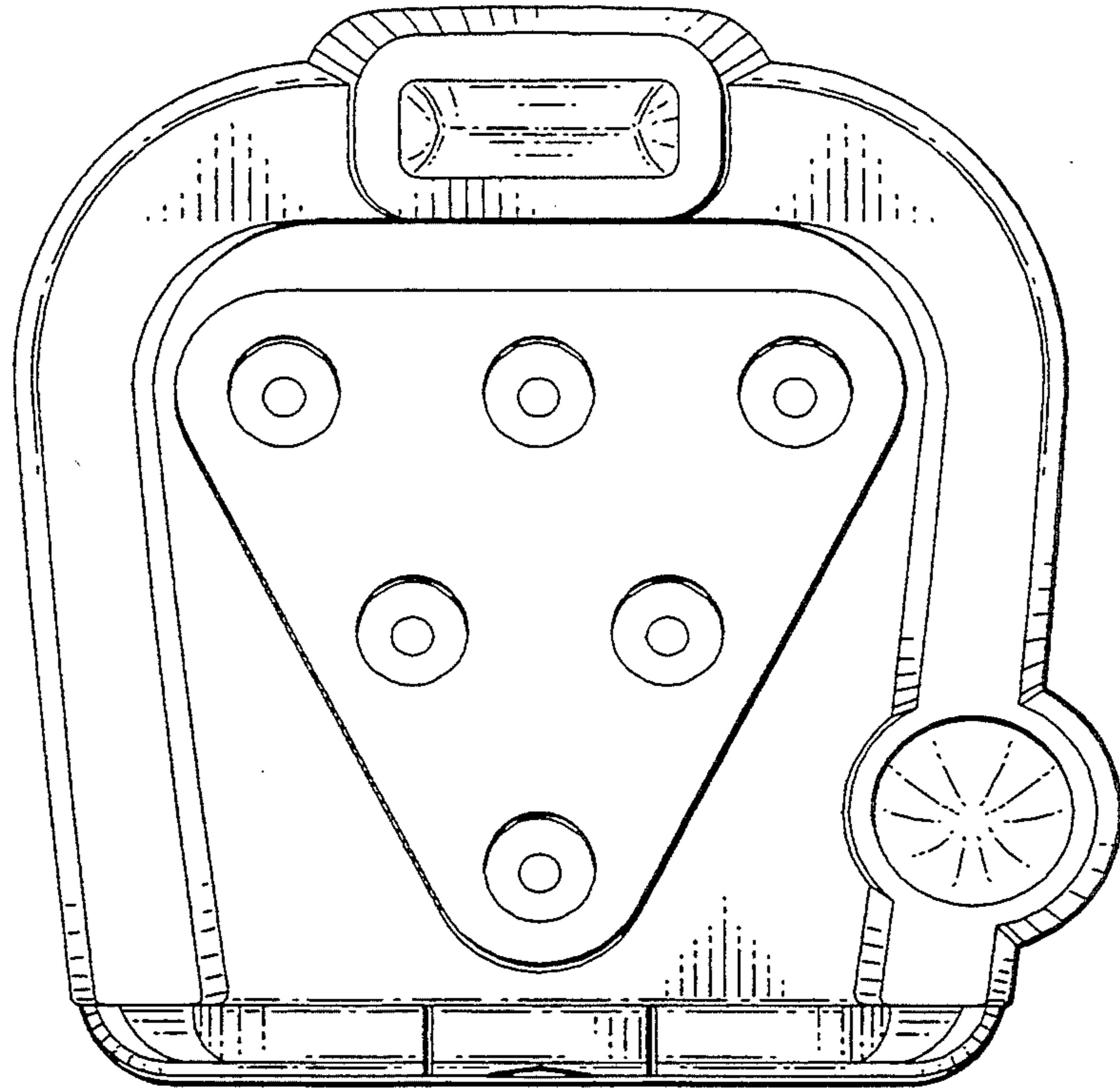


FIG. 6

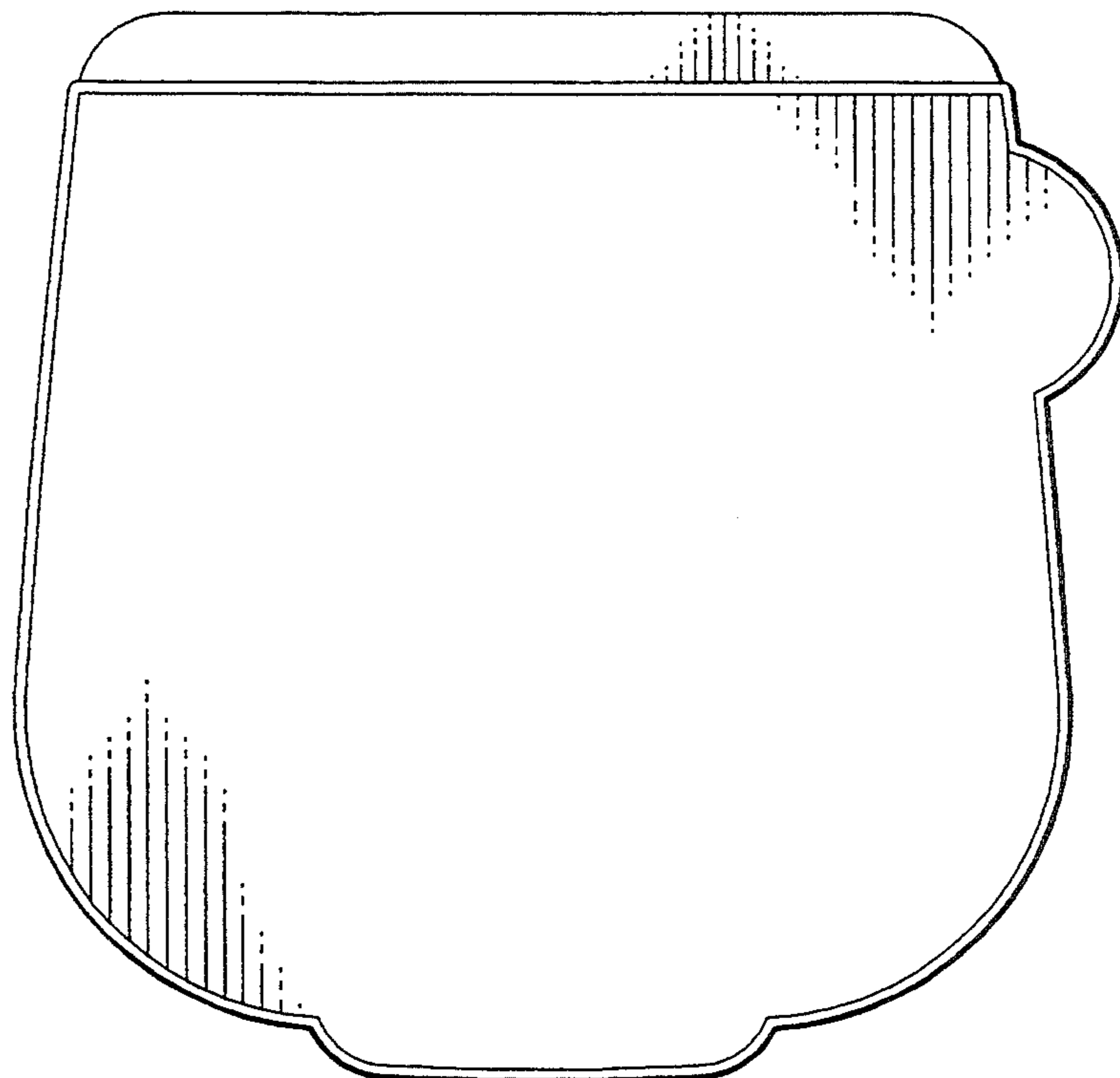


FIG. 7



FIG. 8