



US00D357957S

United States Patent [19] Hung

[11] Patent Number: **Des. 357,957**

[45] Date of Patent: **** May 2, 1995**

[54] **PHYSICAL EXERCISER**

[76] Inventor: **Michael Hung**, 9-16, Nan Kan Hsia,
Nan Kan, Lu Chu Hsiang, Tao Yuan
County, Taiwan, Prov. of China

[**] Term: **14 Years**

[21] Appl. No.: **19,534**

[22] Filed: **Mar. 4, 1994**

[52] U.S. Cl. **D21/195**

[58] Field of Search D21/191, 195; 482/92,
482/93, 94, 97, 98, 123, 130, 138, 133

[56] **References Cited**

U.S. PATENT DOCUMENTS

D. 300,048	2/1989	Grider	D21/195
D. 303,558	9/1989	Alessandri	D21/195
D. 324,710	3/1992	Habing	D21/195
D. 330,238	10/1992	Desiderio	D21/195
4,606,540	8/1986	Chin-Sen	482/98

4,643,420	2/1987	Riley et al.	482/130
5,120,289	6/1992	Yu	482/138
5,211,614	5/1993	Henes	482/138
5,221,245	6/1993	Yeh	482/138

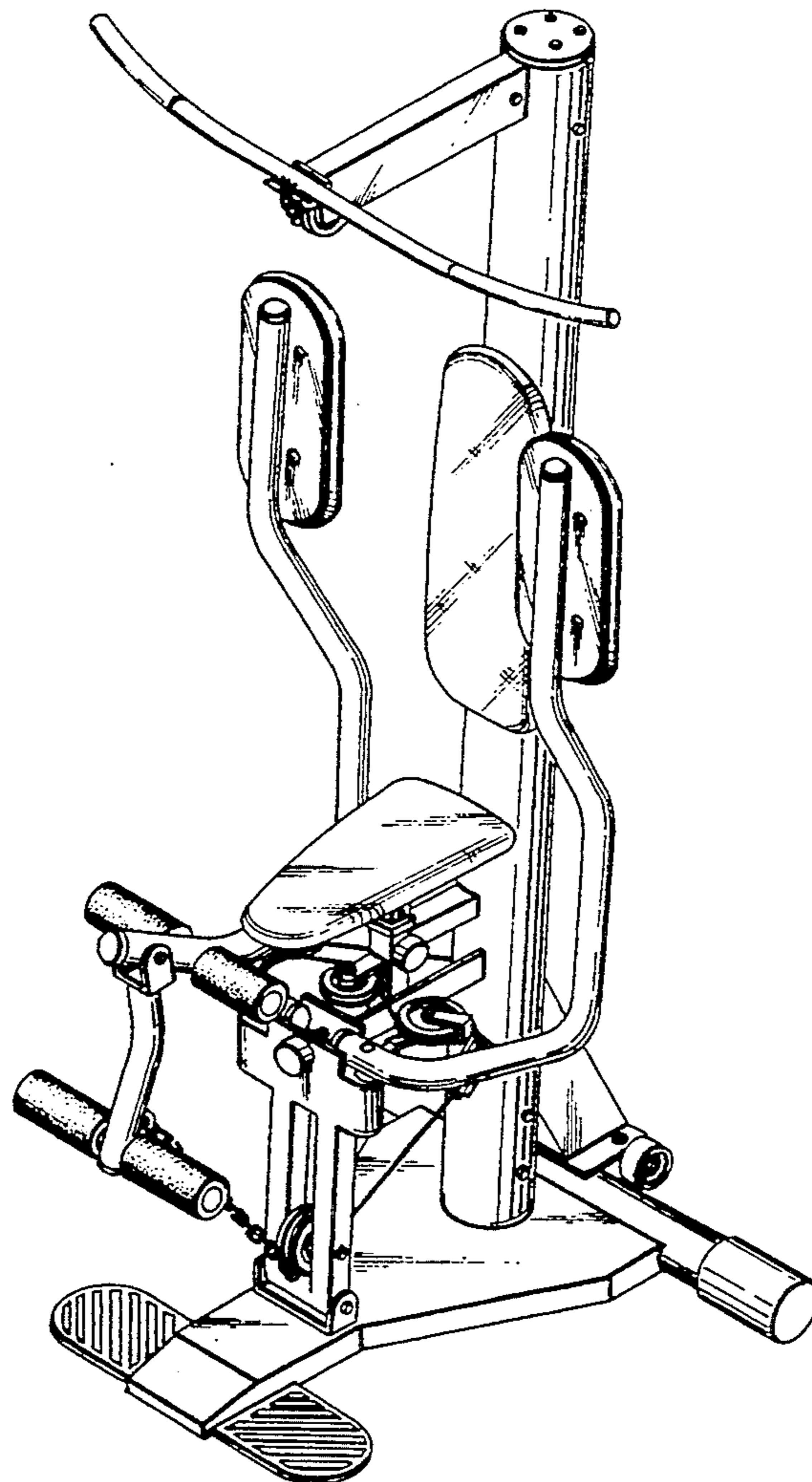
Primary Examiner—Prabhakar G. Deshmukh
Assistant Examiner—Philip Hyder
Attorney, Agent, or Firm—Wenderoth, Lind & Ponack

[57] **CLAIM**

The ornamental design for a physical exerciser, as shown and described.

DESCRIPTION

FIG. 1 is a top, right front perspective view of a physical exerciser showing my new design;
FIG. 2 is a front elevational view thereof;
FIG. 3 is a rear elevational view thereof;
FIG. 4 is a left side elevational view thereof;
FIG. 5 is a right side elevational view thereof;
FIG. 6 is a top plan view thereof; and,
FIG. 7 is a bottom plan view thereof.



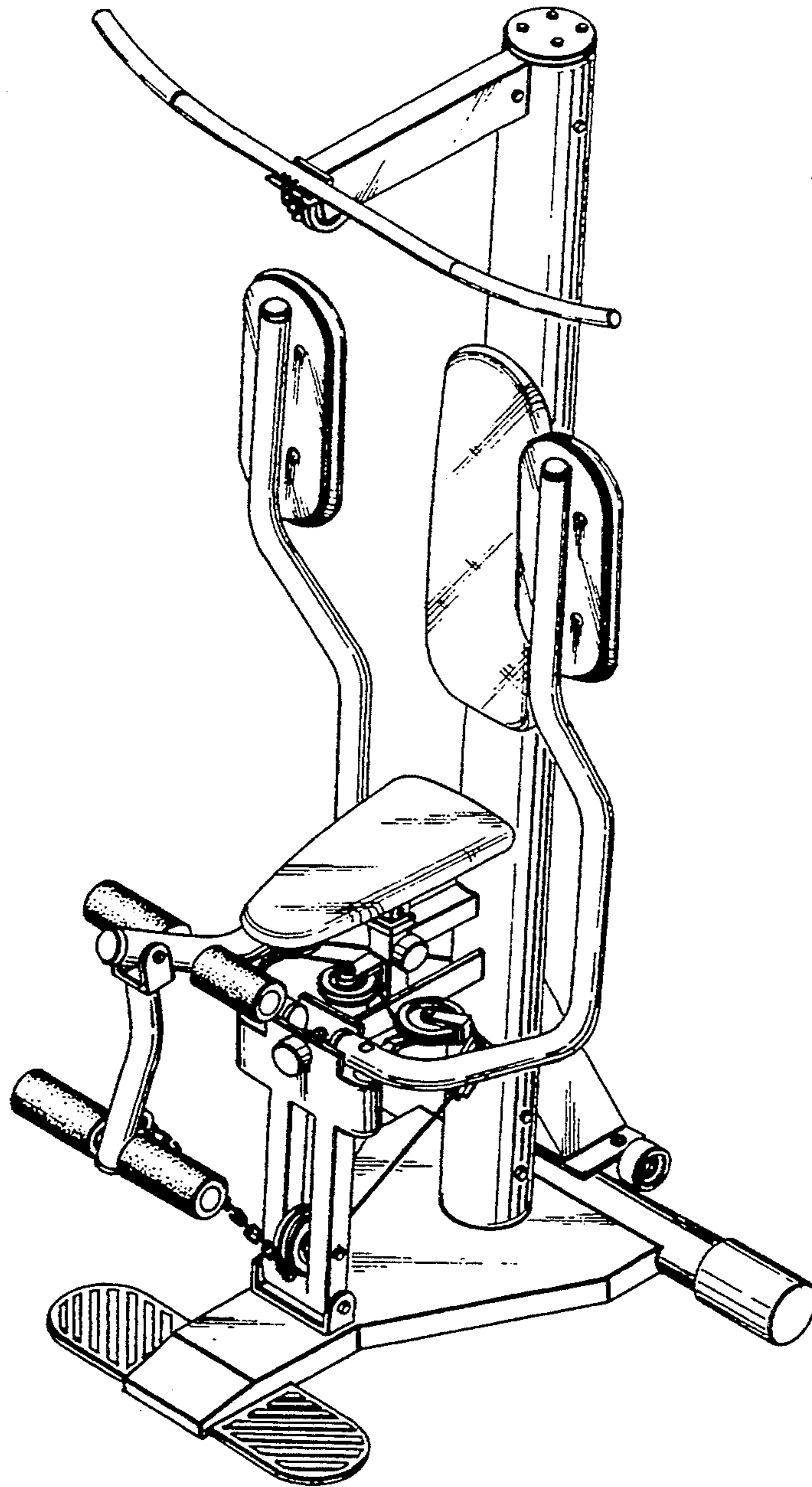


FIG. 1

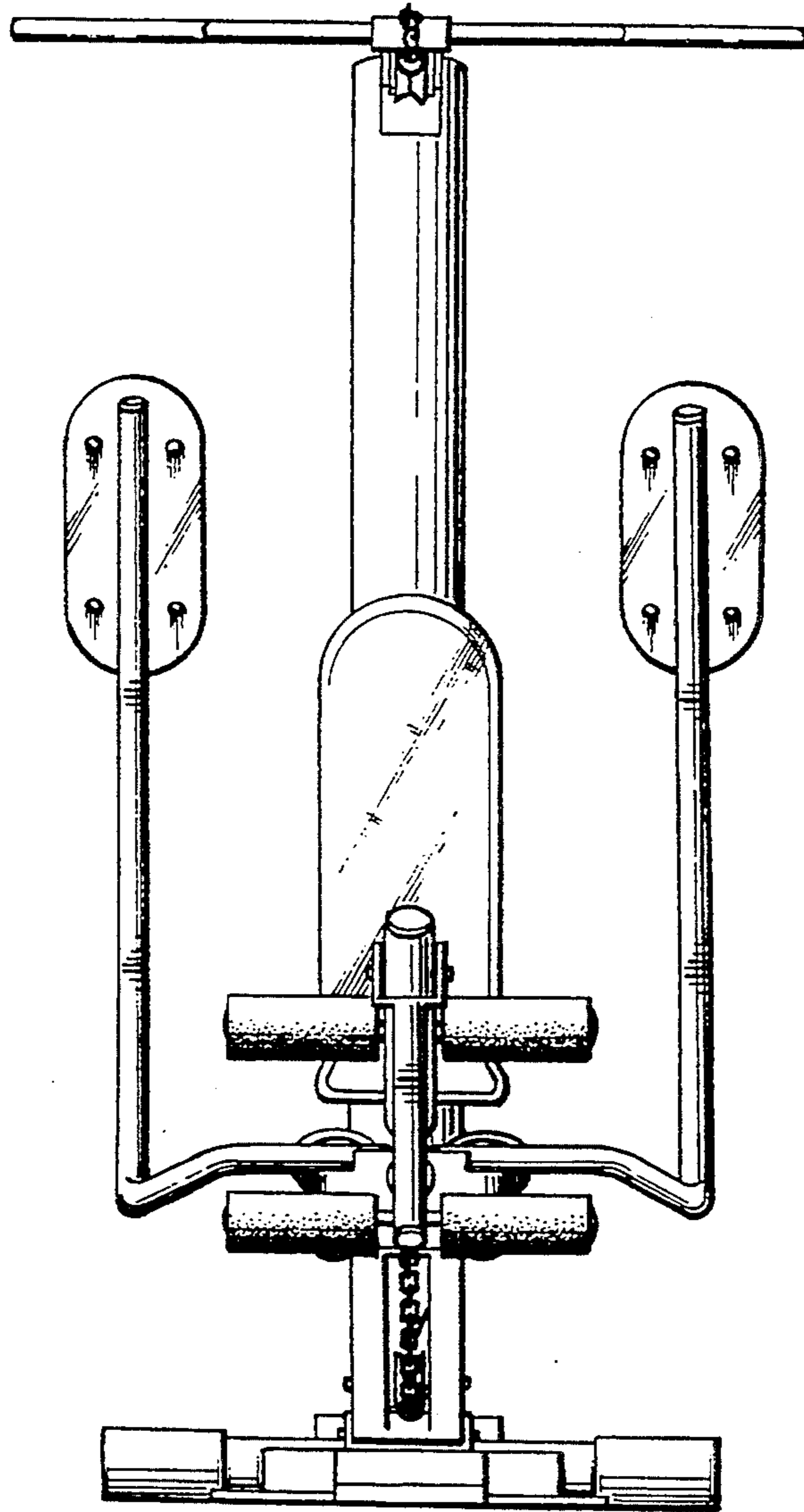


FIG. 2

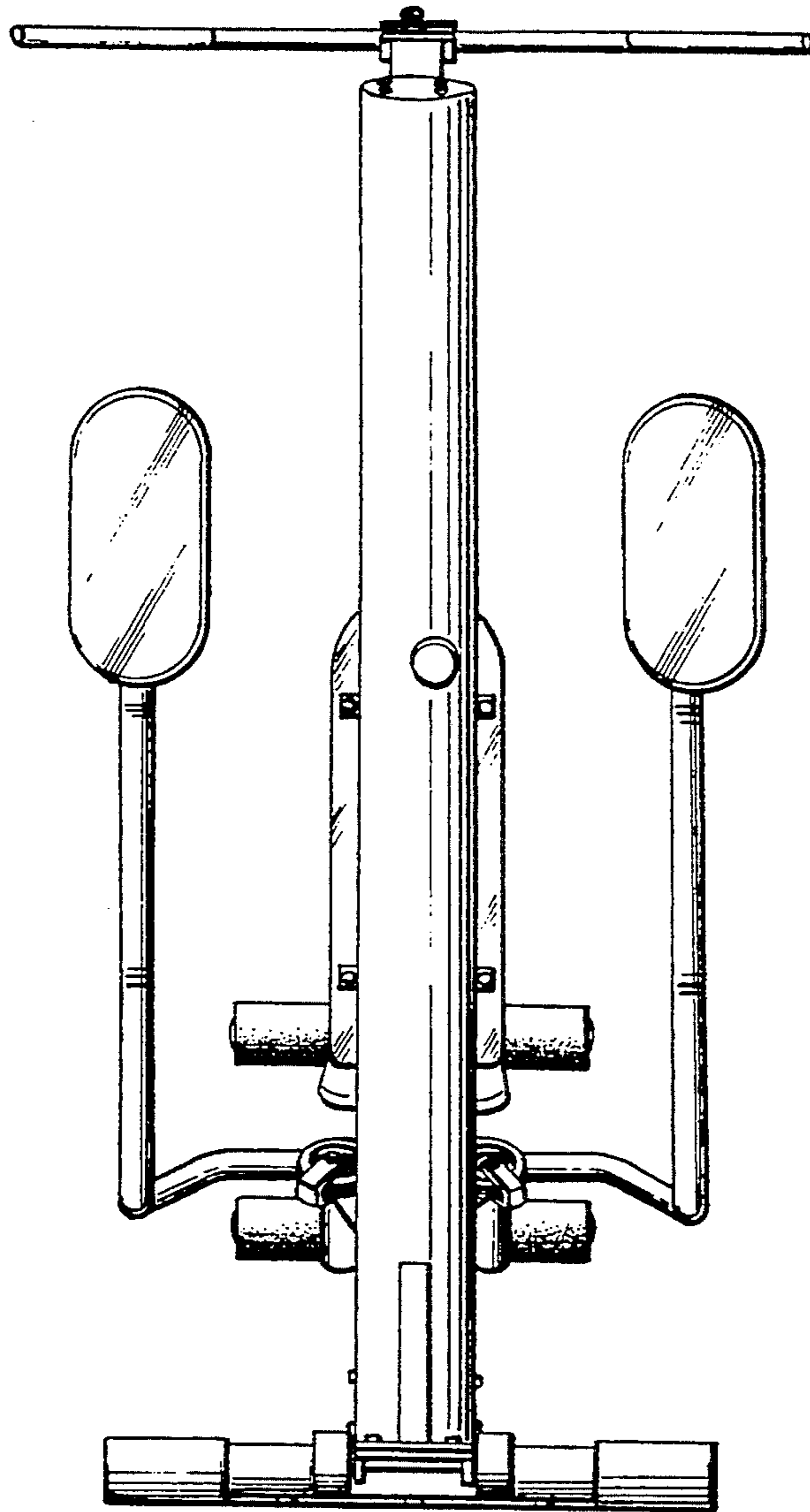


FIG. 3

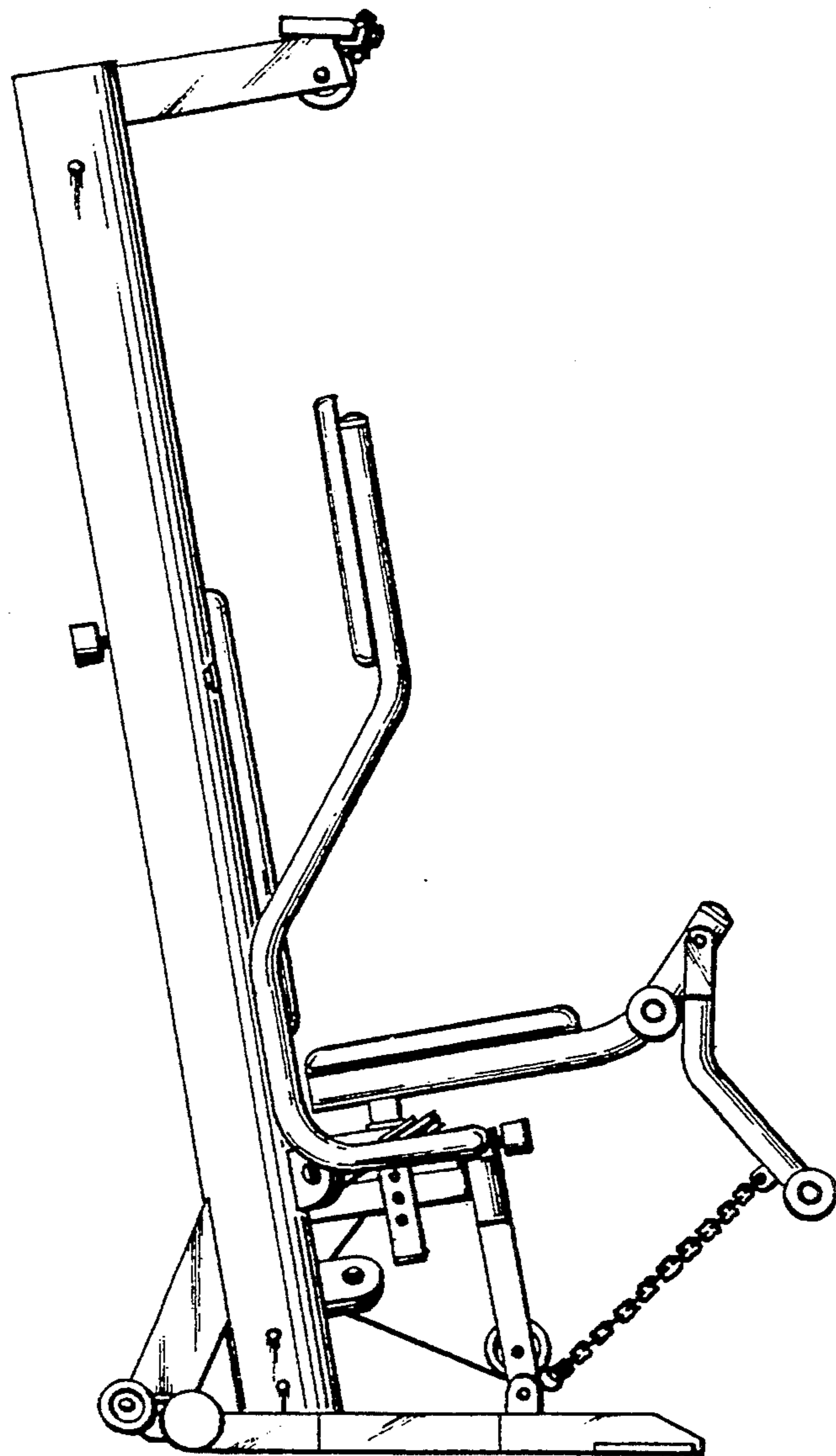


FIG. 4

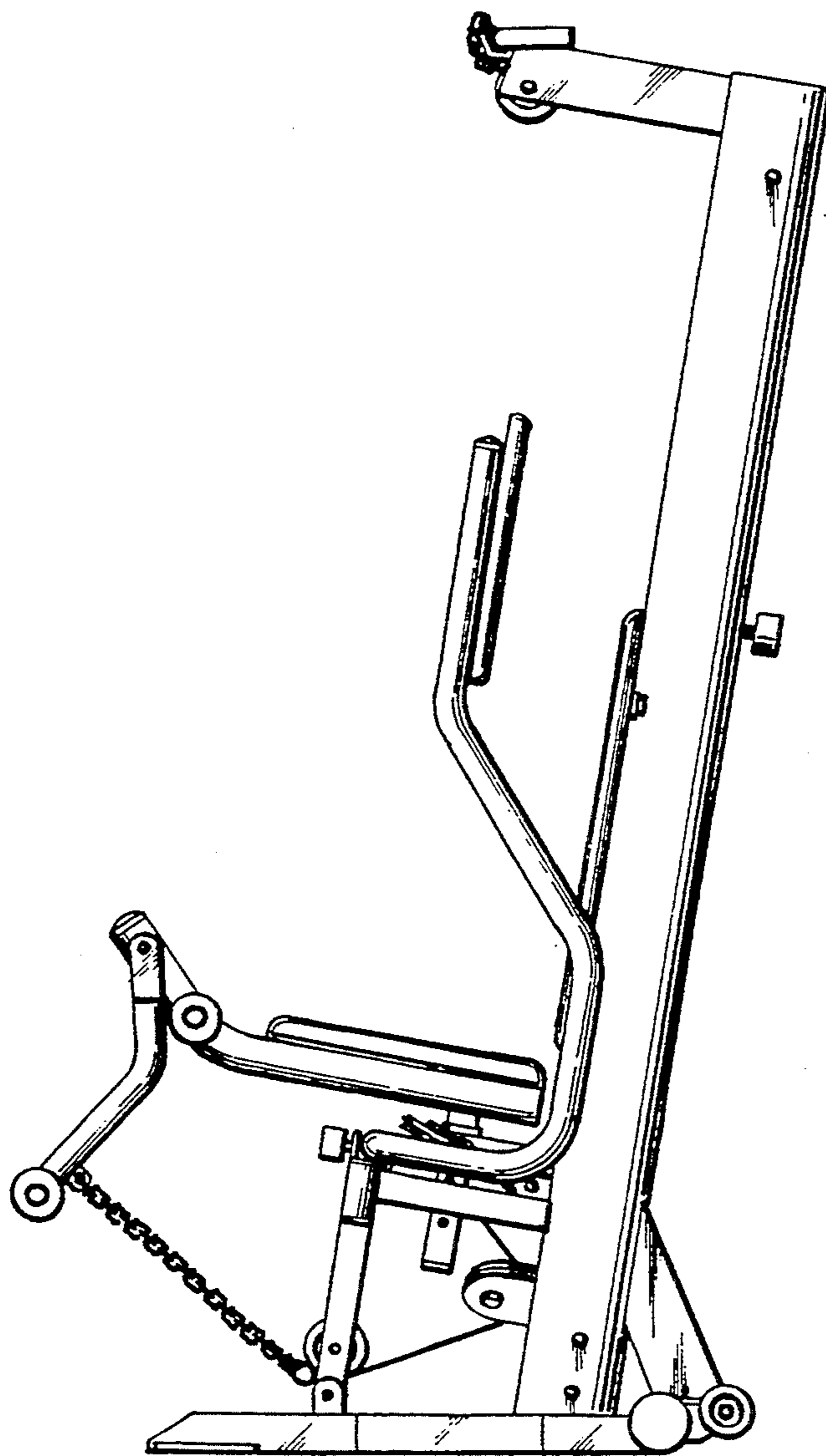


FIG. 5

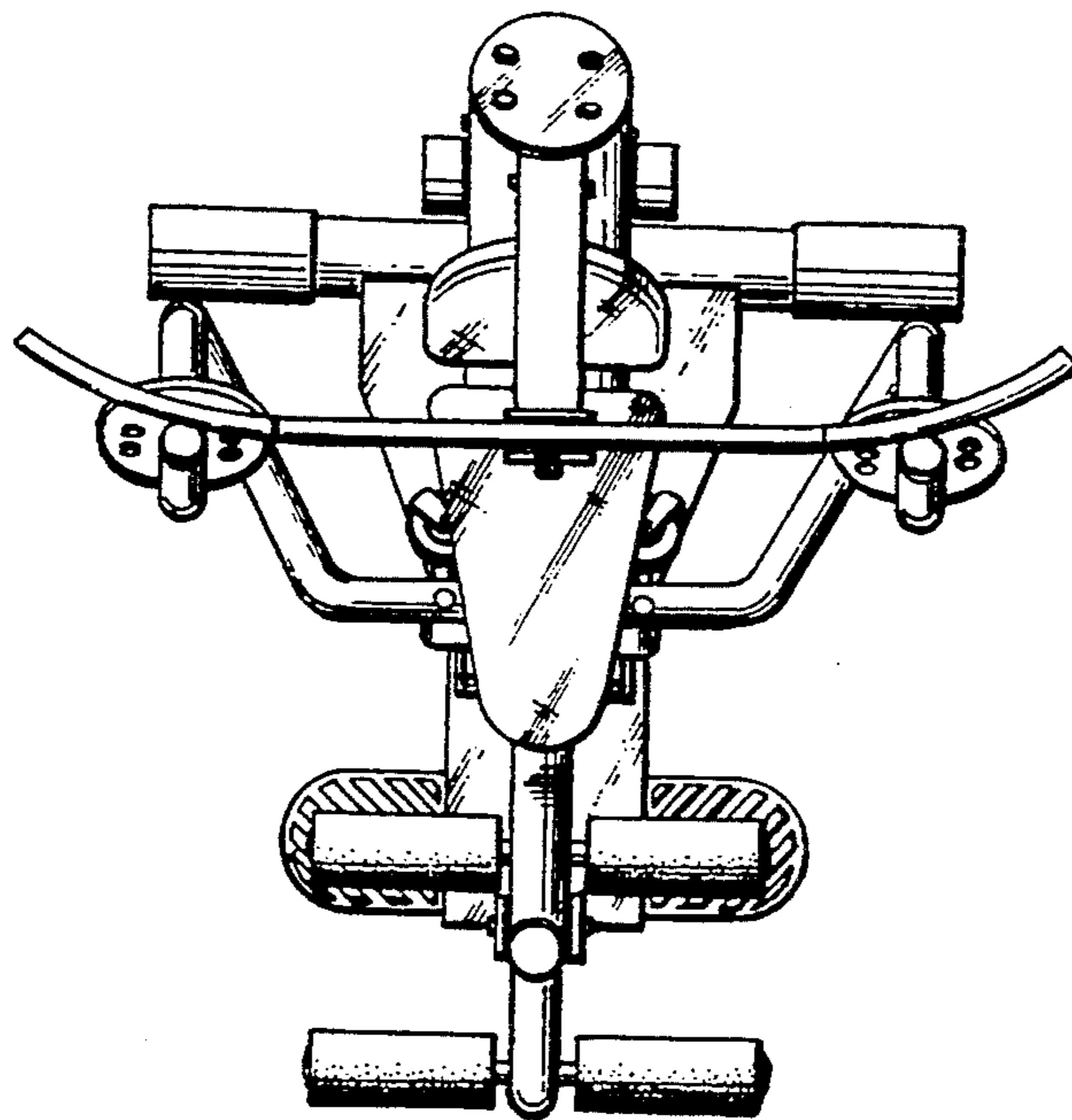


FIG. 6

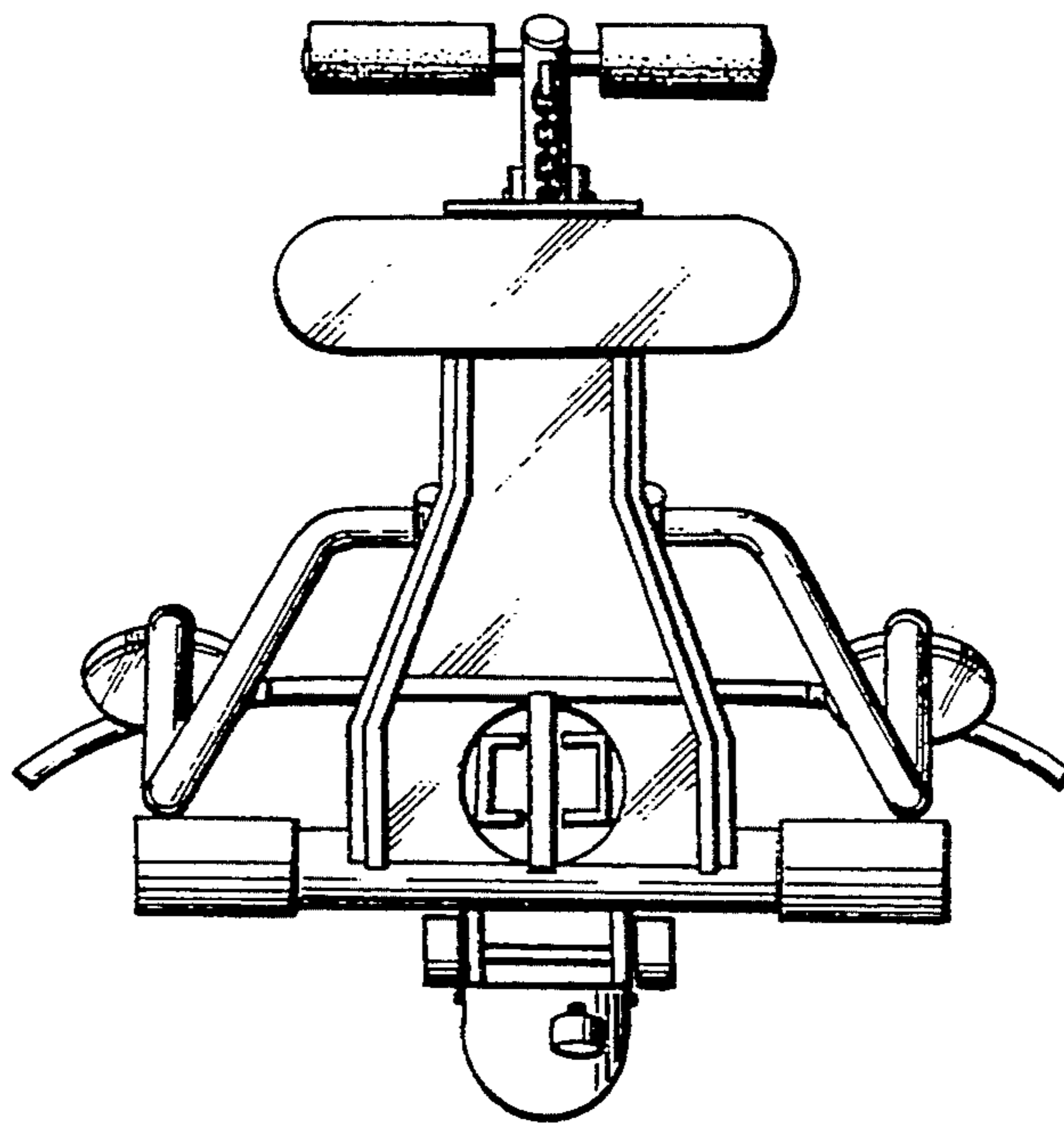


FIG. 7