



US00D357956S

# United States Patent [19]

[11] Patent Number: **Des. 357,956**

Hughes

[45] Date of Patent: **\*\* May 2, 1995**

[54] **WEIGHT MACHINE FOR USE FROM A WHEELCHAIR**

5,080,350 1/1992 Schofield et al. .... 482/132  
5,277,684 1/1994 Harris ..... 482/121

[76] Inventor: **Paul G. Hughes, 49-J Hamilton Dr., Novato, Calif. 94949**

*Primary Examiner*—Prabhakar G. Deshmukh  
*Assistant Examiner*—Philip Hyder  
*Attorney, Agent, or Firm*—Harold D. Messner

[\*\*] Term: **14 Years**

[57] **CLAIM**

[21] Appl. No.: **18,703**

The ornamental design of a weight machine for use from a wheelchair, as shown and described.

[22] Filed: **Feb. 14, 1994**

[52] U.S. Cl. .... **D21/195; D21/191**

**DESCRIPTION**

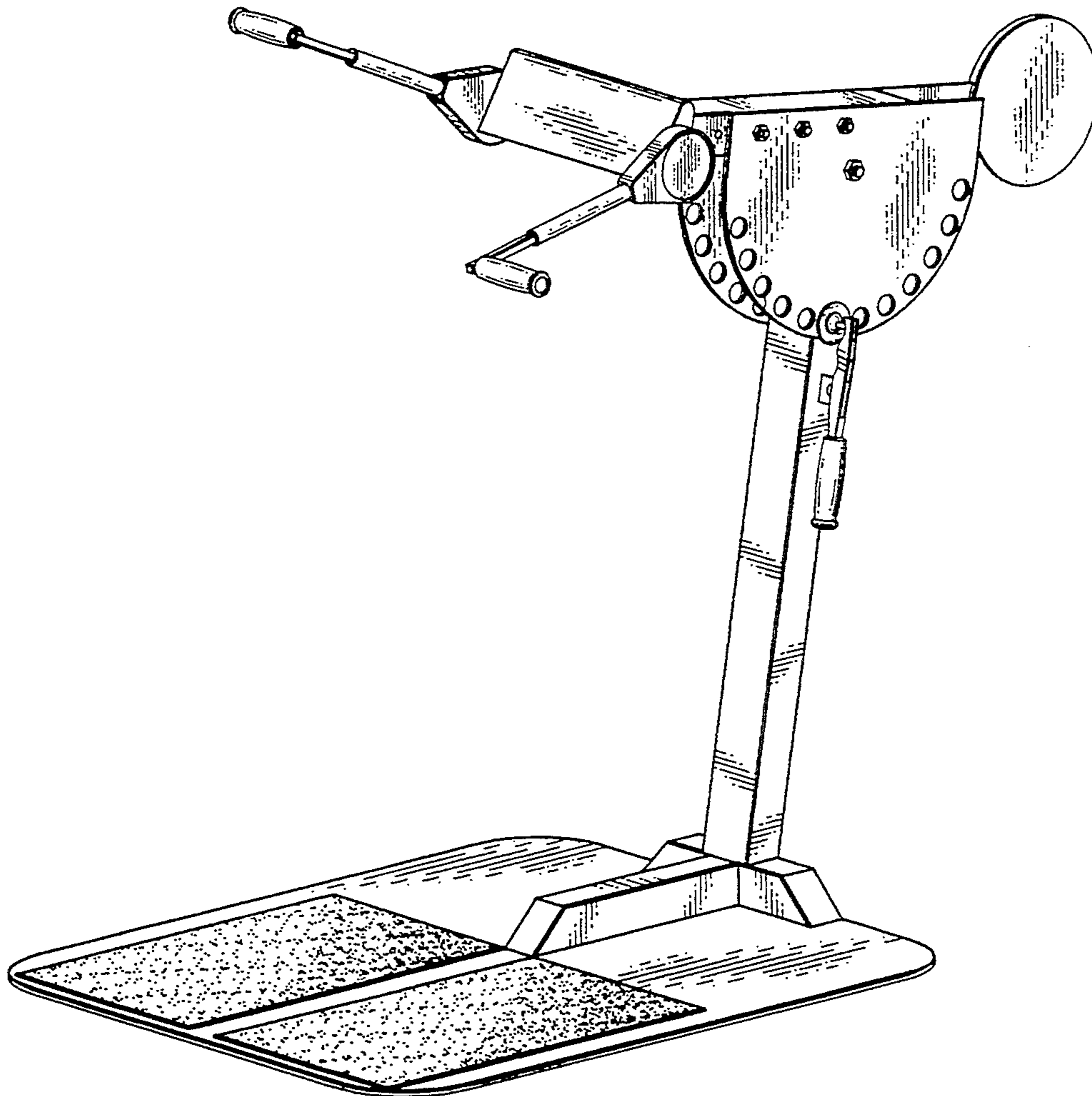
[58] Field of Search ..... **D21/191, 194, 195, 198; 482/94, 136, 129, 133, 132, 137, 121**

FIG. 1 is a perspective view of my new design of a weight machine for use from a wheelchair;  
FIG. 2 is a top plan view of my design;  
FIG. 3 is a right side elevational view of my design;  
FIG. 4 is a front elevational view of my design;  
FIG. 5 is a rear elevational view of my design;  
FIG. 6 is a left side elevational view of the weight machine for use from a wheel chair, wherein the broken line showing of the wheelchair and person seated in the wheelchair for illustrative purposes only and form no part of the claimed design; and,  
FIG. 7 is a bottom plan view of my design.

[56] **References Cited**

**U.S. PATENT DOCUMENTS**

D. 304,058	10/1989	Carlson et al. ....	D21/195
D. 305,787	1/1990	Olschansky et al. ....	D21/198
D. 342,770	12/1993	Wilson .....	D21/195
4,627,616	12/1986	Kauffman .....	482/137
4,772,015	9/1988	Carlson .....	482/92
4,911,435	3/1990	Johns .....	482/133
5,048,825	9/1991	Kelly .....	482/94



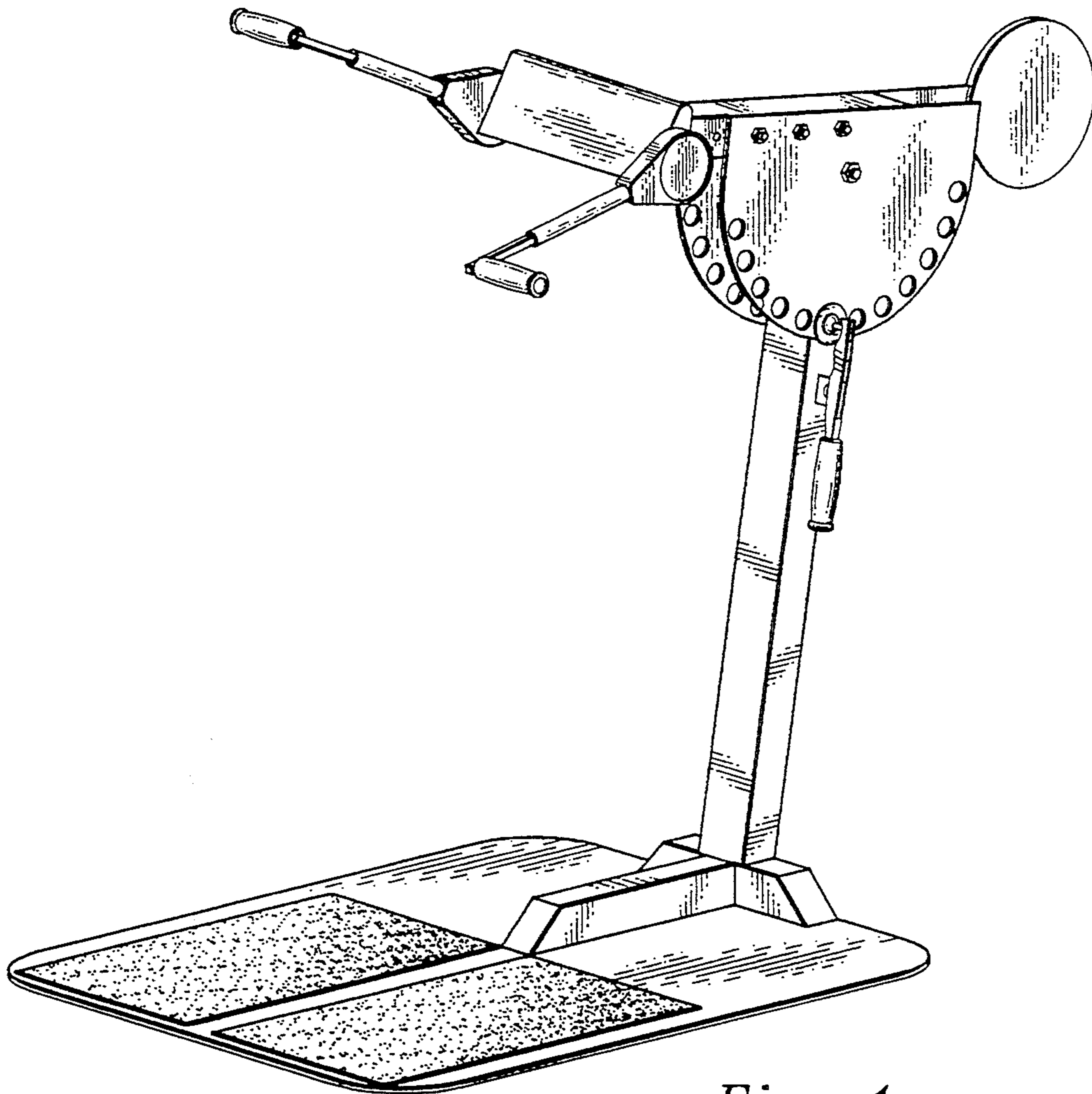


Fig. 1

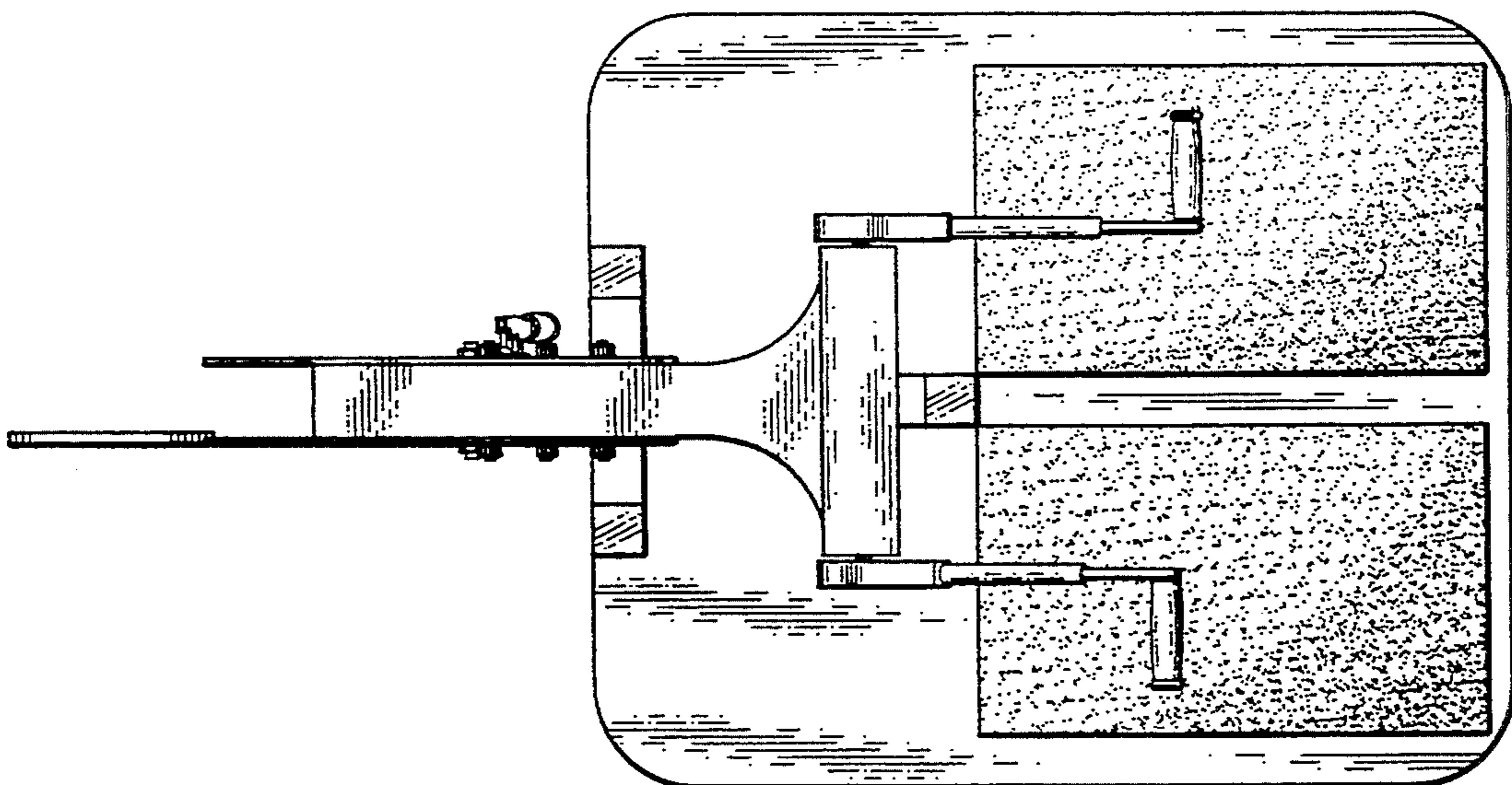


Fig. 2

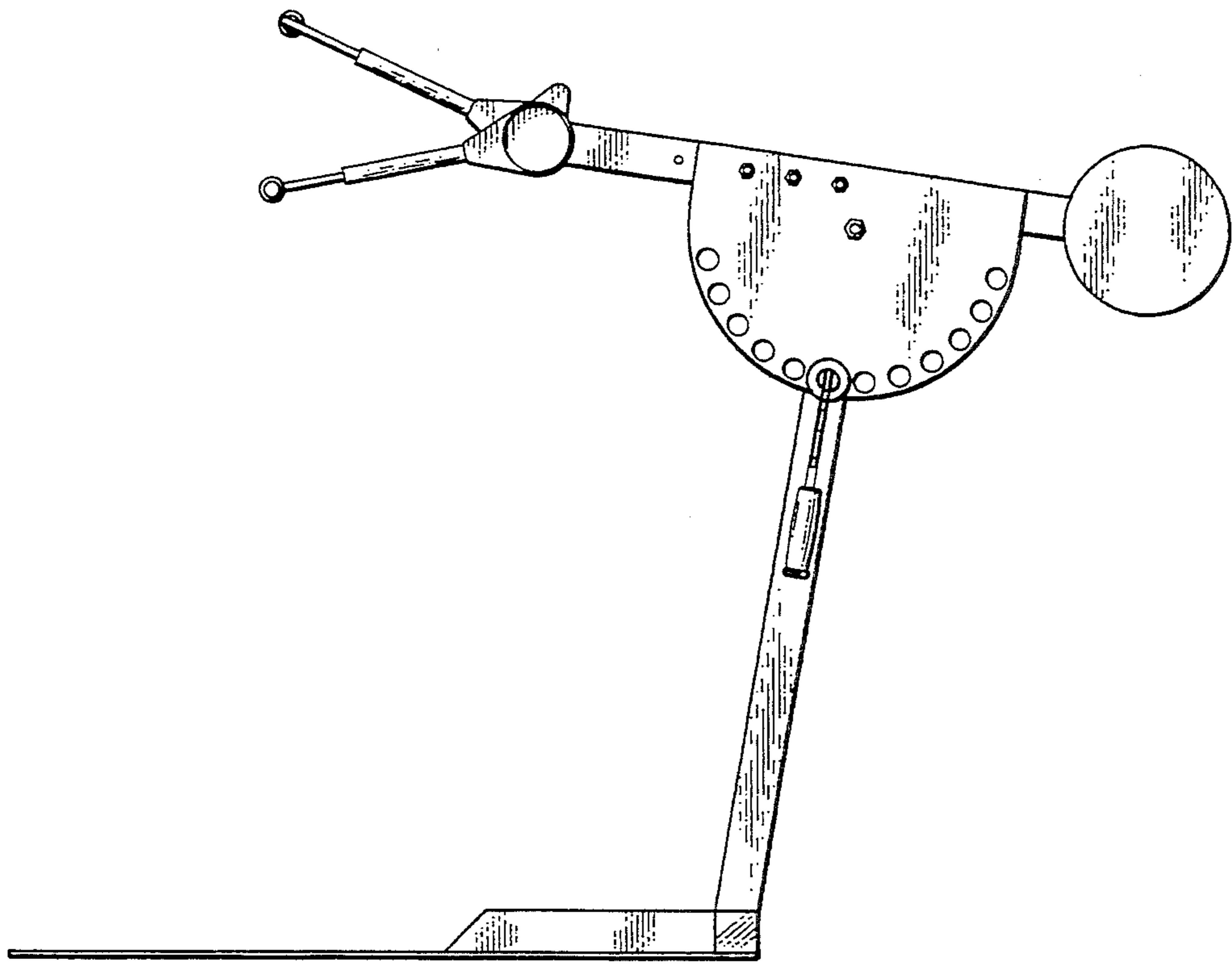


Fig. 3

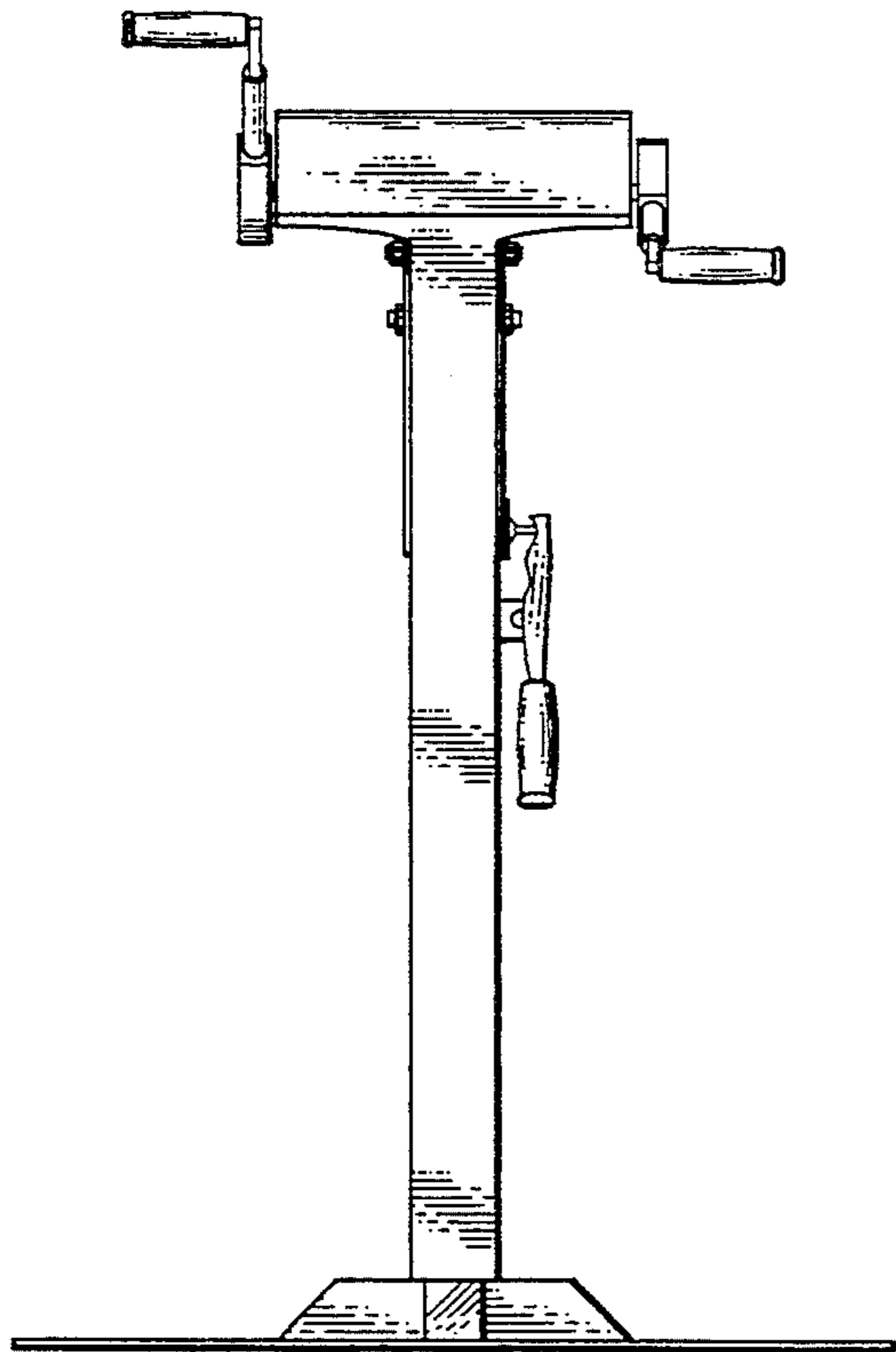


Fig. 4

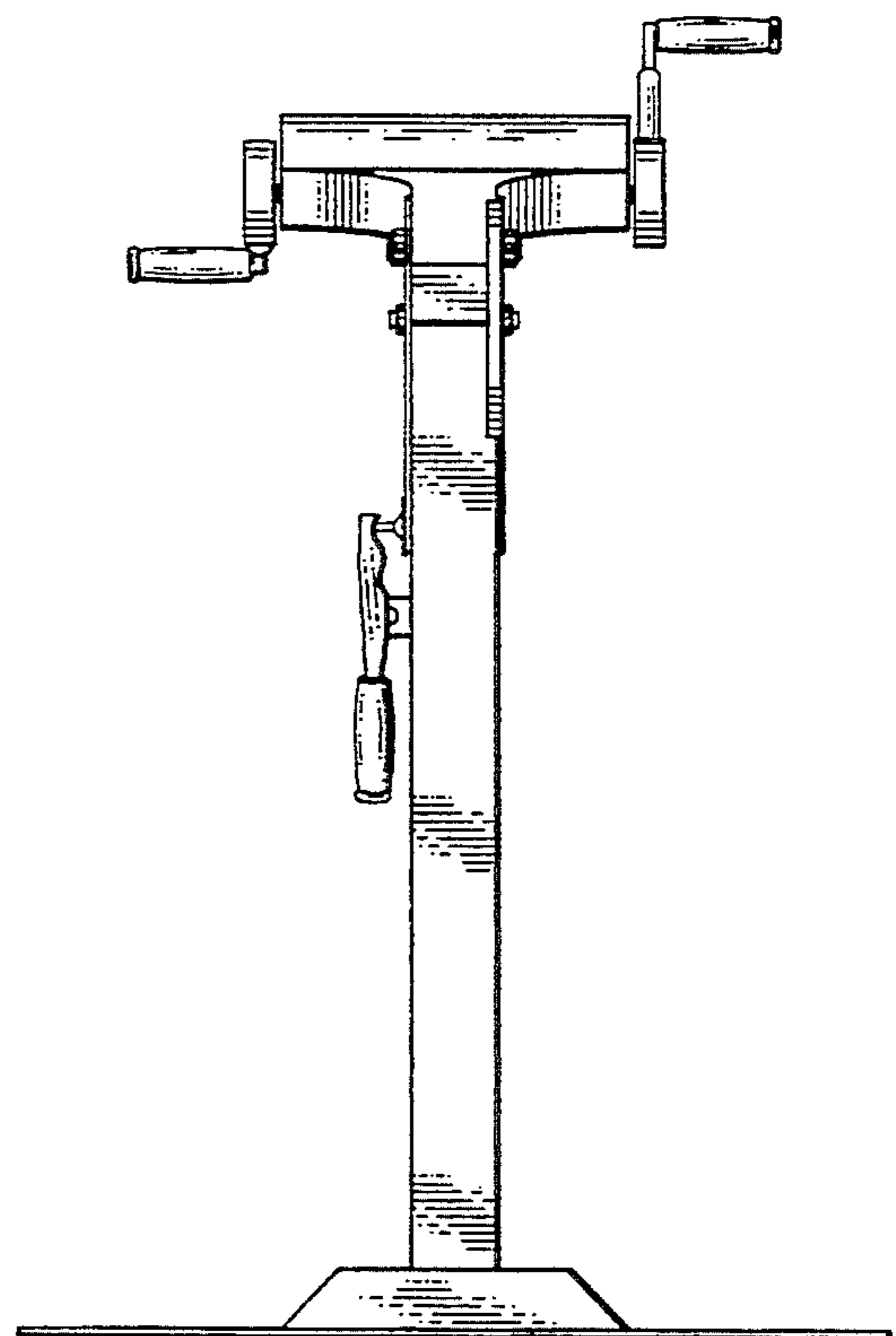


Fig. 5

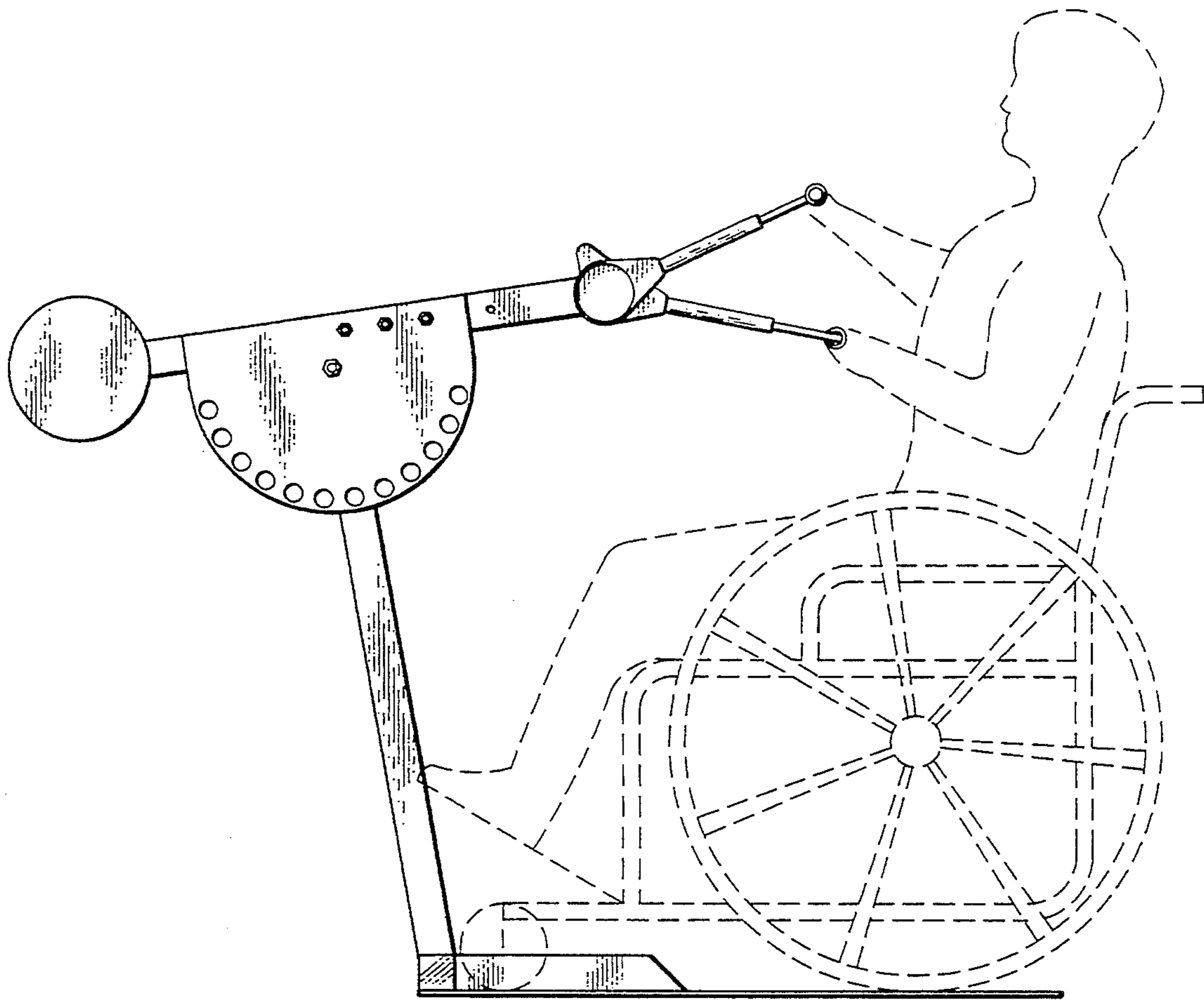


Fig. 6

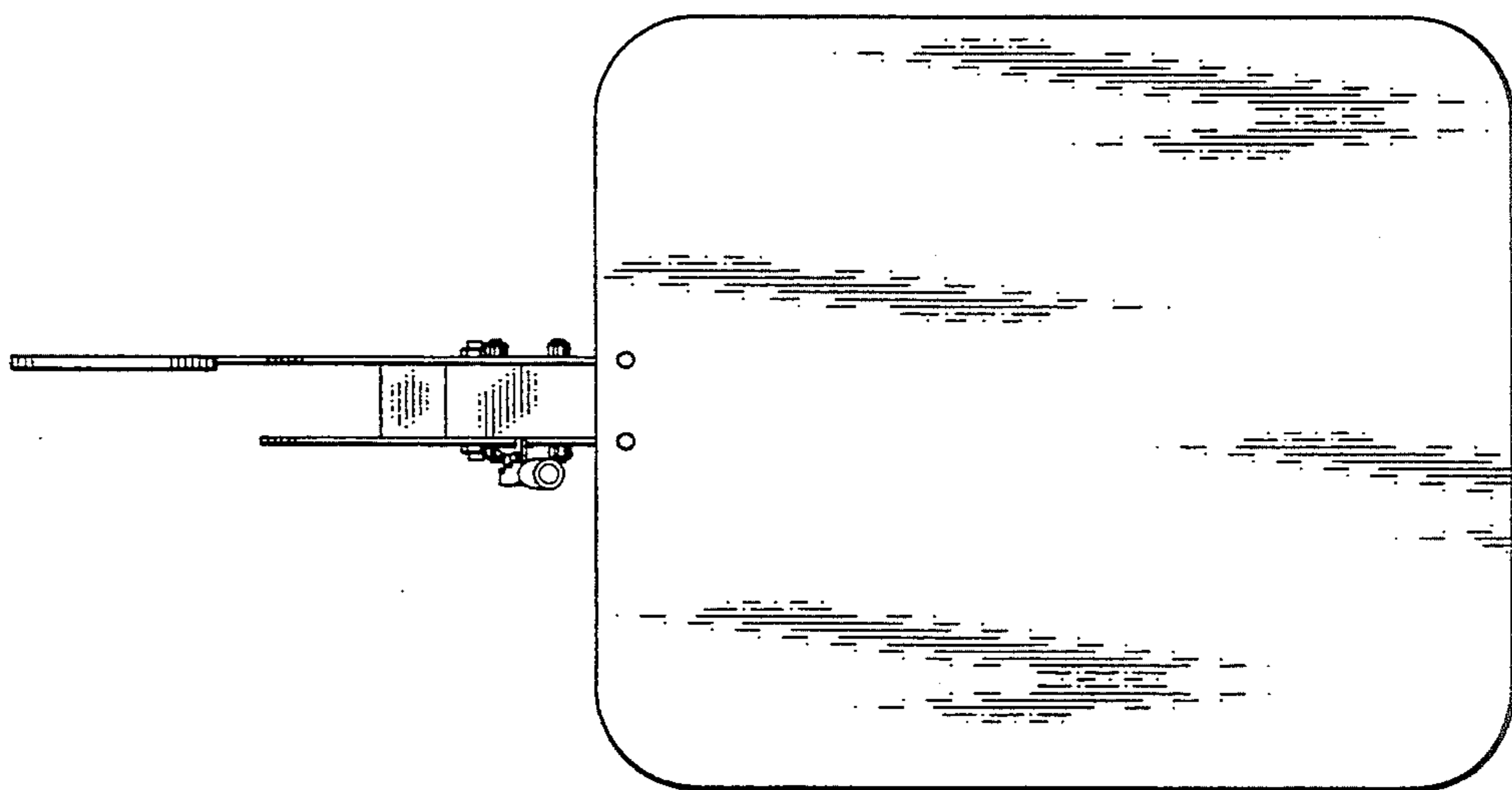


Fig. 7