



US00D357955S

United States Patent [19]

[11] Patent Number: **Des. 357,955**

Wilson

[45] Date of Patent: **** May 2, 1995**

[54] **PHYSICAL EXERCISER**

5,215,511 6/1993 Cheng 482/133

[76] Inventor: **Jerry L. Wilson, 570 NE. 53rd Ave., Hillsboro, Oreg. 97124**

Primary Examiner—Prabhakar G. Deshmukh
Assistant Examiner—Philip Hyder
Attorney, Agent, or Firm—Chernoff, Vilhauer et al.

[**] Term: **14 Years**

[57] **CLAIM**

[21] Appl. No.: **17,620**

The ornamental design for a physical exerciser, as shown, and described.

[22] Filed: **Jan. 18, 1994**

[52] U.S. Cl. **D21/195**

DESCRIPTION

[58] Field of Search D21/191, 195; 482/133, 482/135, 92, 93, 72, 137, 97, 73

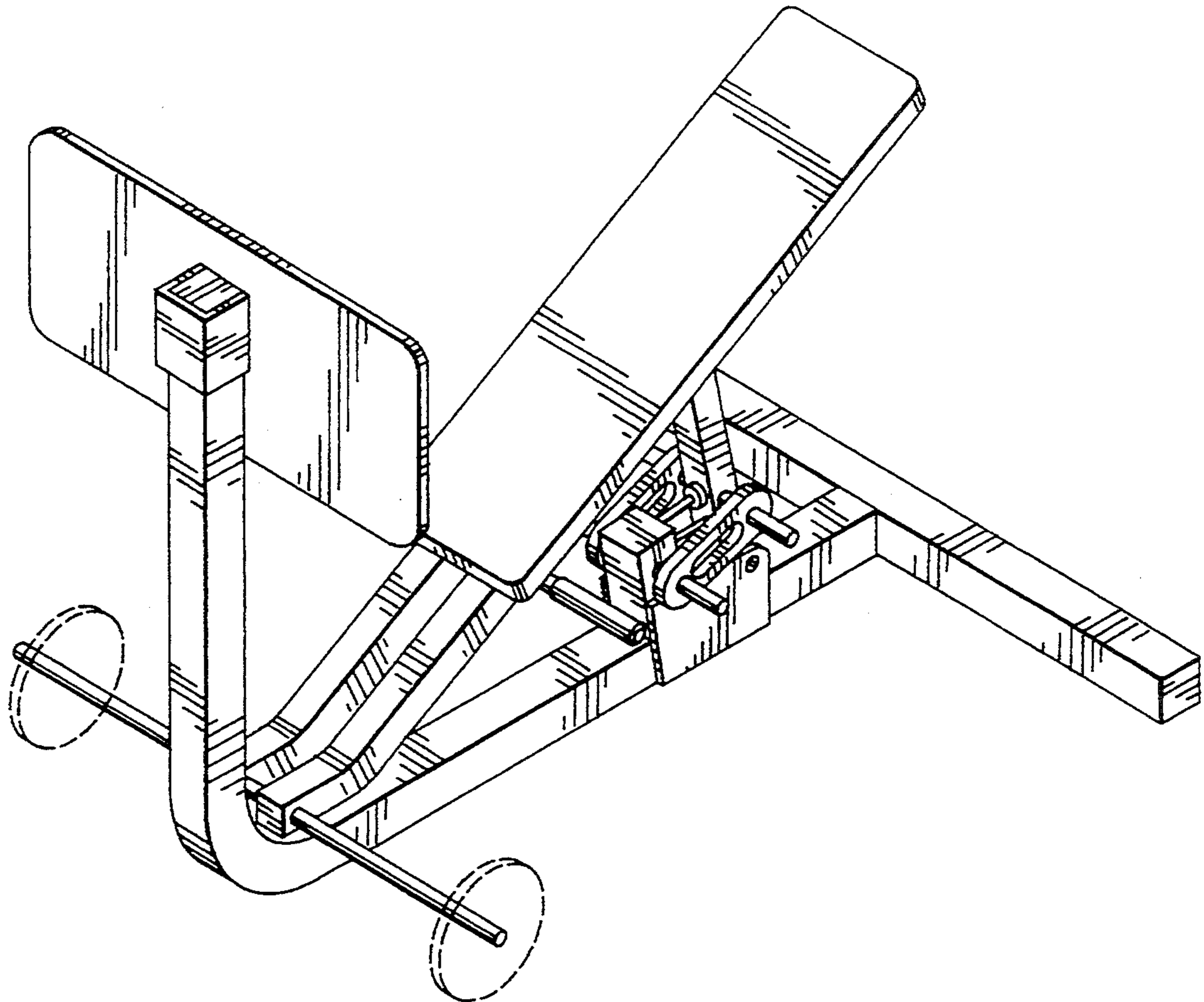
FIG. 1 is a perspective view, looking from above, of a physical exerciser;
FIG. 2 is a right side elevation view thereof, the left side elevation view being identical thereto;
FIG. 3 is a front elevation view thereof;
FIG. 4 is a rear elevation view thereof;
FIG. 5 is a top plan view thereof; and,
FIG. 6 is a bottom plan view thereof.

[56] **References Cited**

U.S. PATENT DOCUMENTS

4,333,644	6/1982	Lambert, Jr. et al.	482/135
4,336,934	6/1982	Hanagan et al.	482/73
4,598,907	7/1986	Ross	482/133
4,621,810	11/1986	Cummins	482/137
4,883,269	11/1989	Shaver	482/97
4,902,007	2/1990	Ferrari	482/97

The broken line showing of the weights in FIG. 1 is for illustrative purposes only and forms no part of the claimed design.



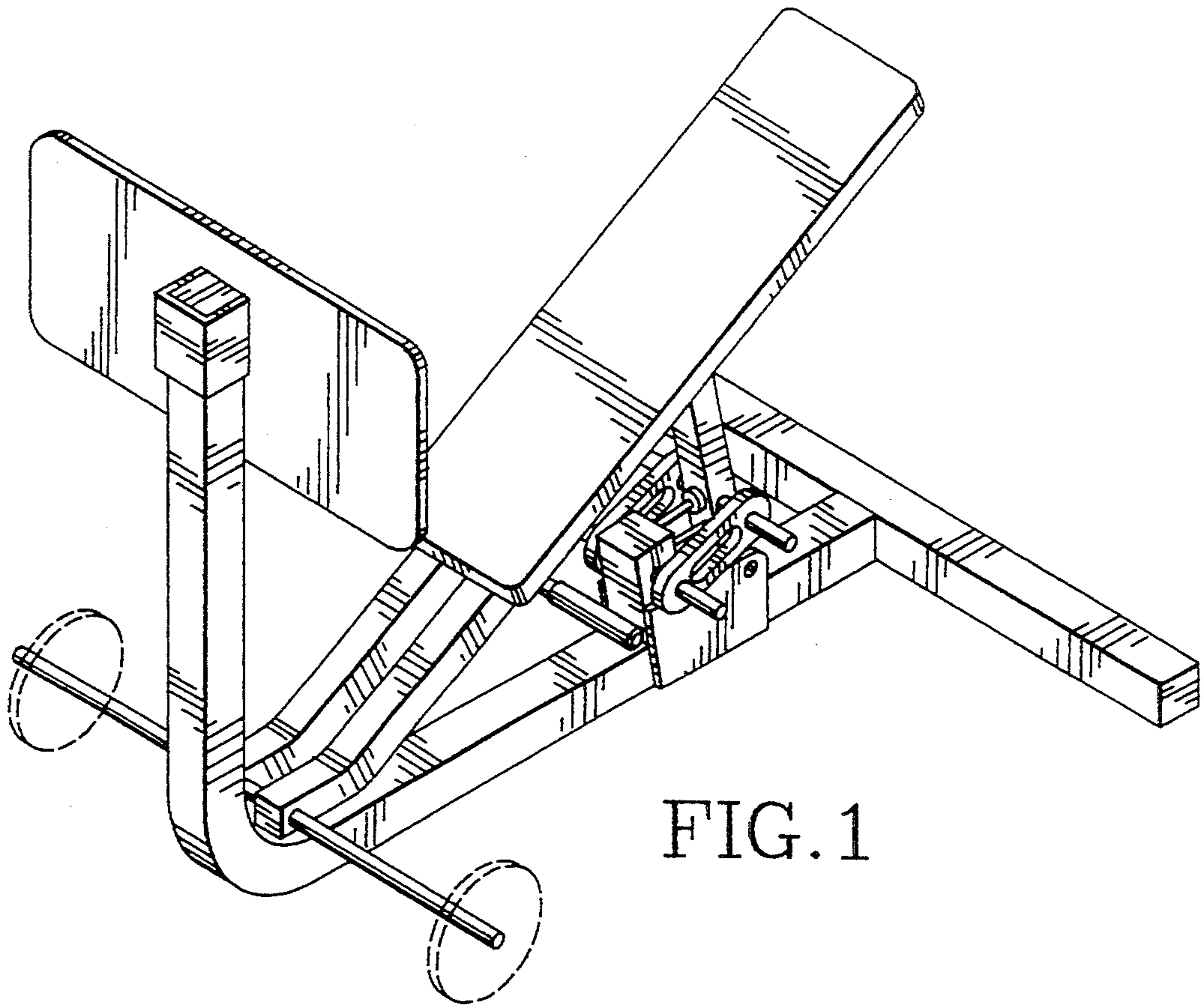


FIG. 1

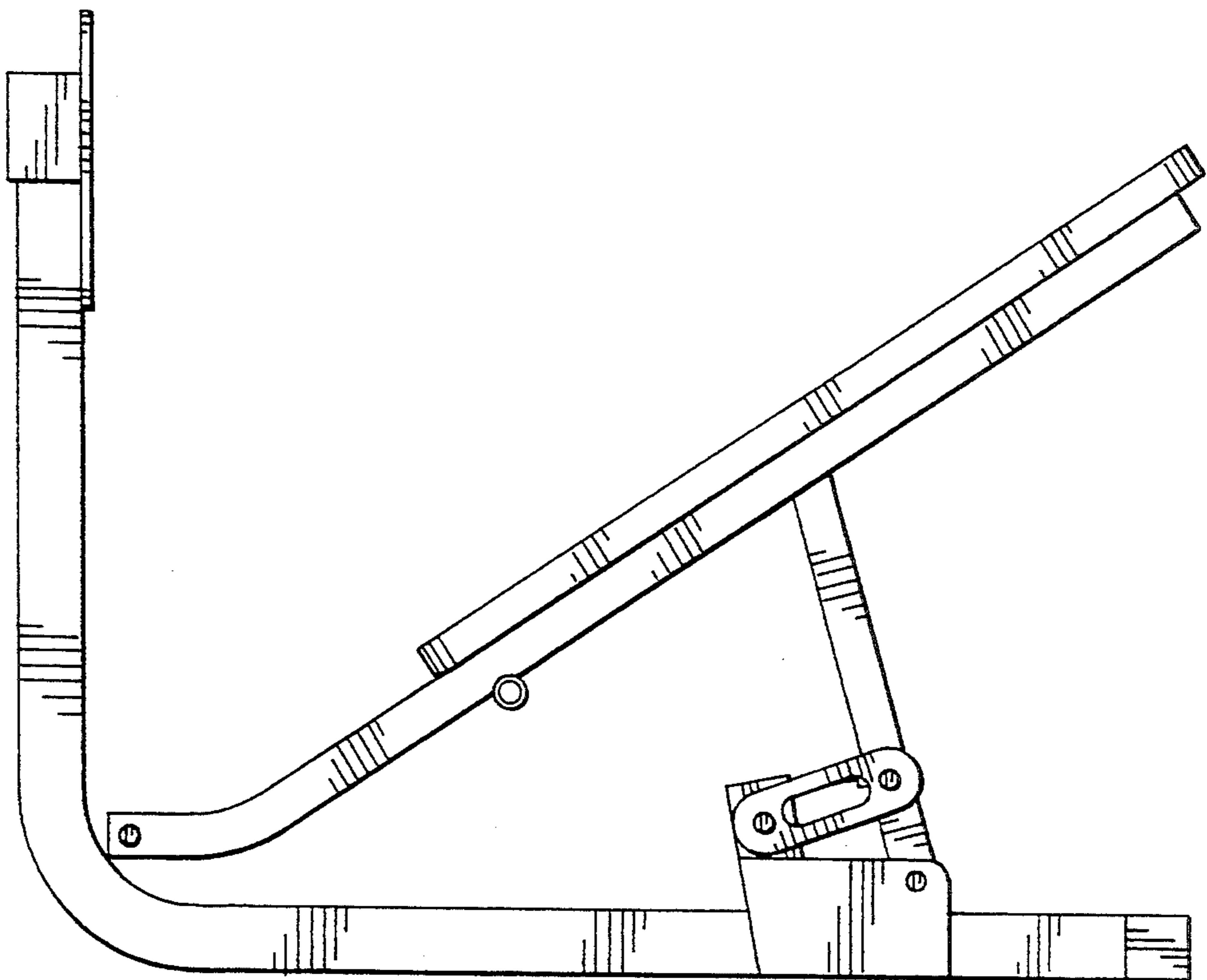


FIG. 2

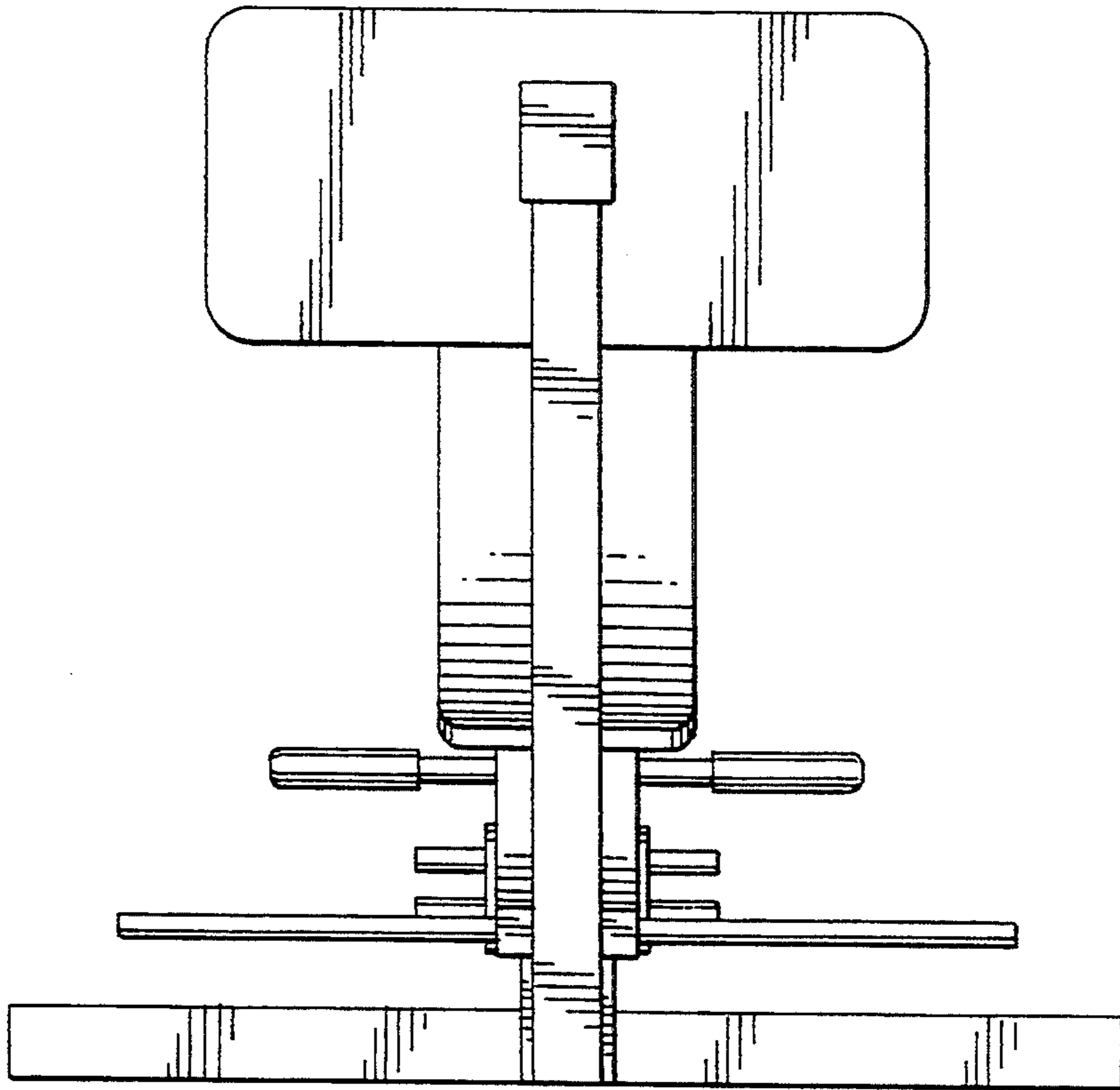


FIG. 3

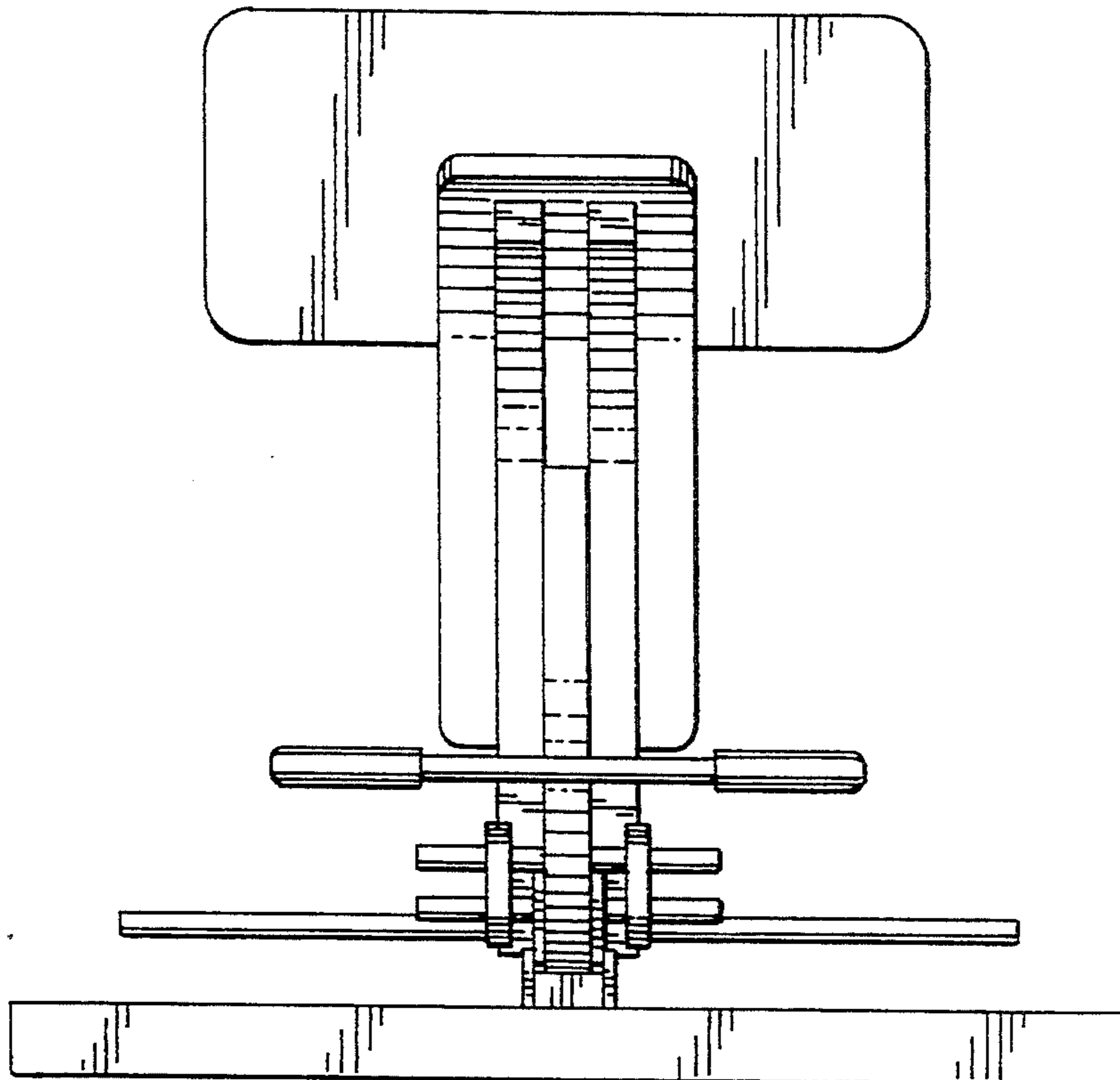


FIG. 4

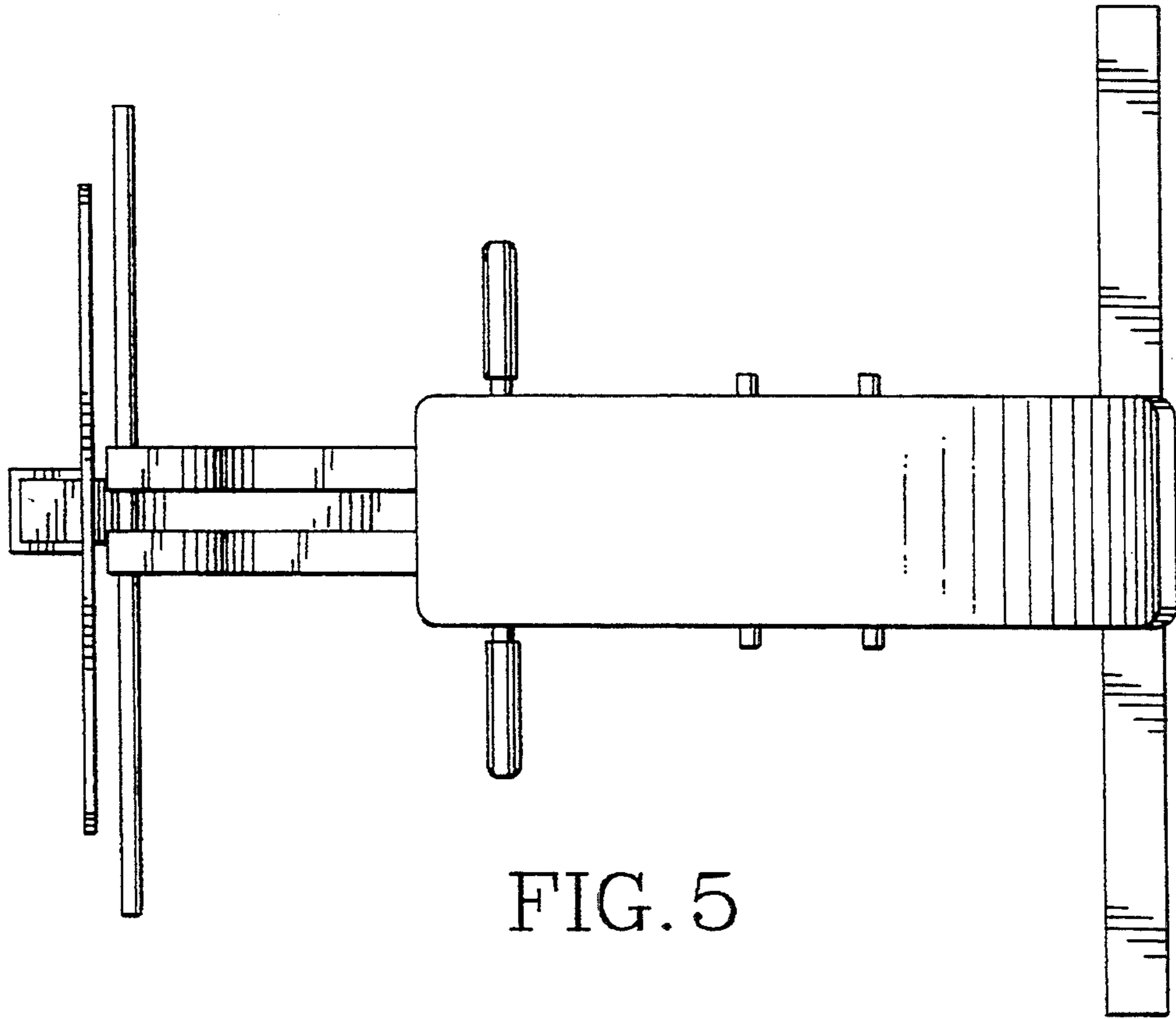


FIG. 5

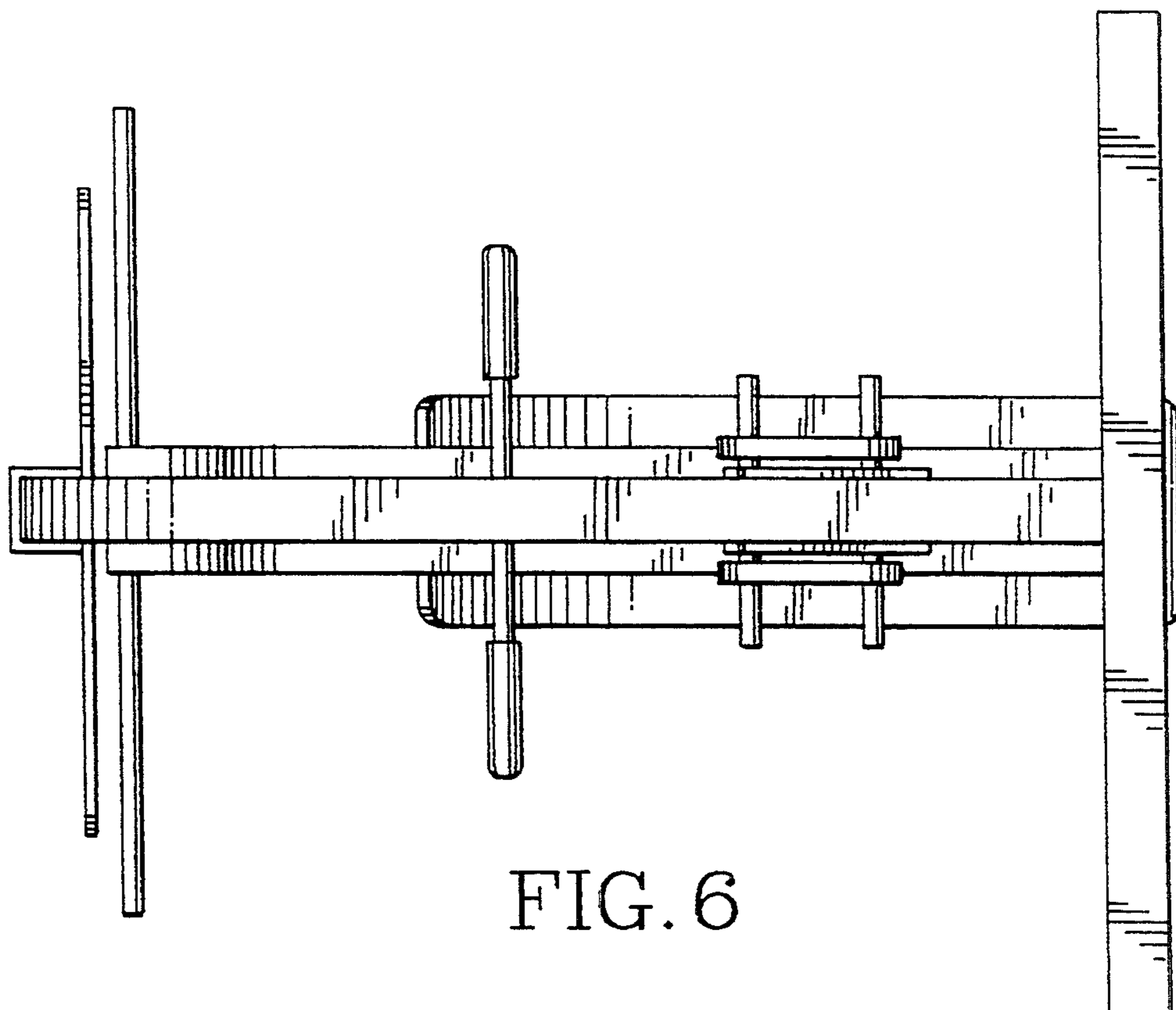


FIG. 6