



US00D357946S

# United States Patent [19]

[11] Patent Number: **Des. 357,946**

Ho

[45] Date of Patent: **\*\* May 2, 1995**

[54] **EAR PHONE HOUSING FOR VIDEO GAMES**

[75] Inventor: **Patrick T. Ho, Kwai Chung, Hong Kong**

[73] Assignee: **STD Electronic International Ltd., Hong Kong**

[\*\*] Term: **14 Years**

[21] Appl. No.: **9,030**

[22] Filed: **Jun. 4, 1993**

[30] **Foreign Application Priority Data**

Dec. 8, 1992 [GB] United Kingdom ..... 2027629

[52] U.S. Cl. .... **D21/48**

[58] Field of Search ..... D21/13, 48; 273/148 B, 273/433-438, DIG. 28; D14/249, 223, 205, 243, 204, 217, 299

[56] **References Cited**

**U.S. PATENT DOCUMENTS**

D. 181,927 1/1958 Gray et al. .... D14/243

D. 289,289	4/1987	Wojcik et al. ....	D14/243
D. 299,726	2/1989	Yukawa .....	D21/48 X
D. 320,018	9/1991	Bakanowsky, III .....	D21/48 X
D. 321,350	11/1991	Phelan .....	D14/205 X
D. 334,196	3/1993	Seggerman .....	D14/249
4,754,484	6/1988	Larkin et al. ....	D14/223 X
5,259,626	11/1993	Ho .....	273/148 B X

*Primary Examiner*—Prabhakar G. Deshmukh  
*Attorney, Agent, or Firm*—Burns, Doane, Swecker & Mathis

[57] **CLAIM**

The ornamental design for a ear phone housing for video games, as shown and described.

**DESCRIPTION**

FIG. 1 is the front elevational view showing my new design;  
FIG. 2 is the rear elevational view thereof;  
FIG. 3 is the left side view thereof;  
FIG. 4 is the right side view thereof;  
FIG. 5 is the top plan view thereof; and,  
FIG. 6 is the bottom plan view thereof.

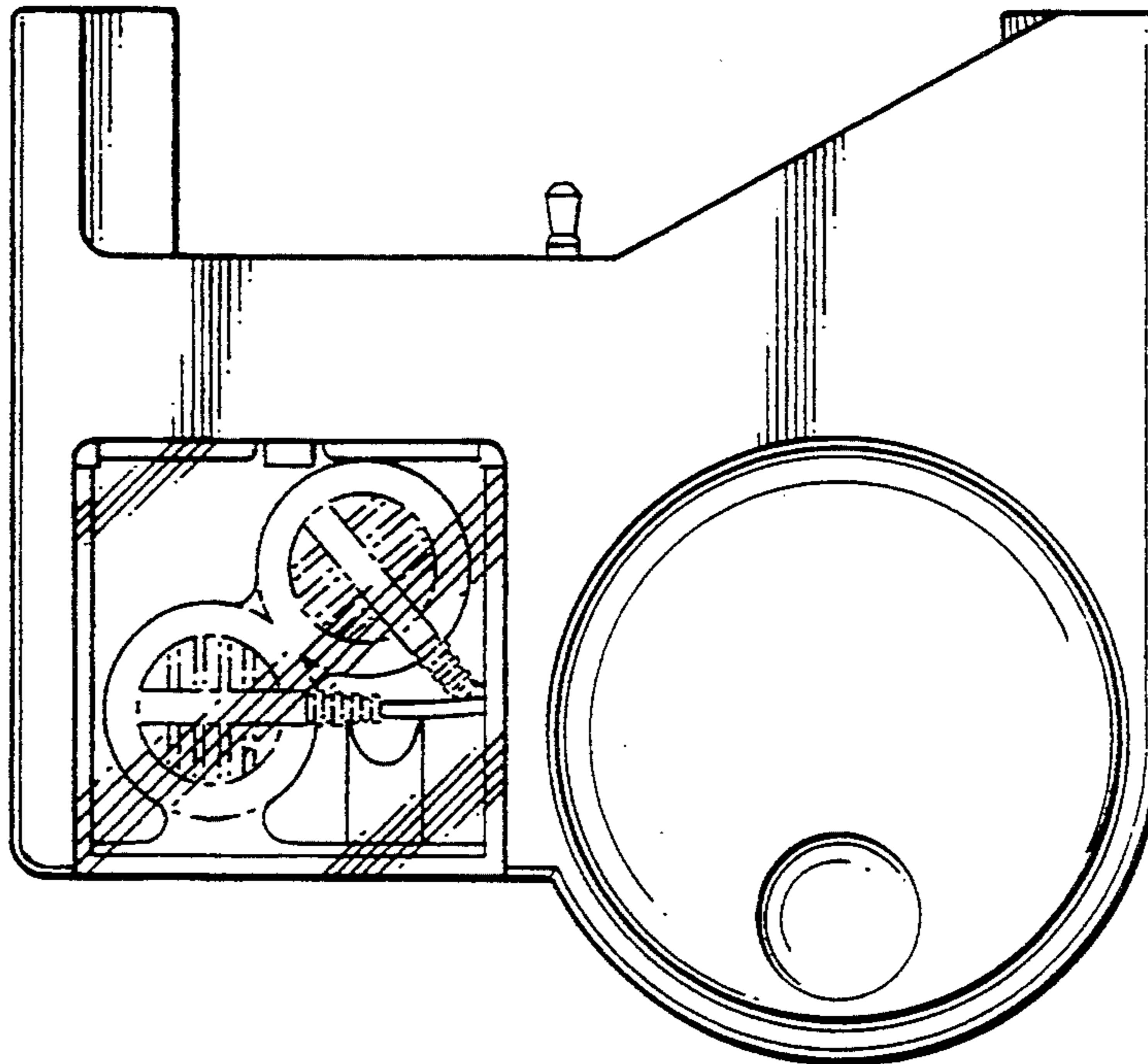


FIG. 1

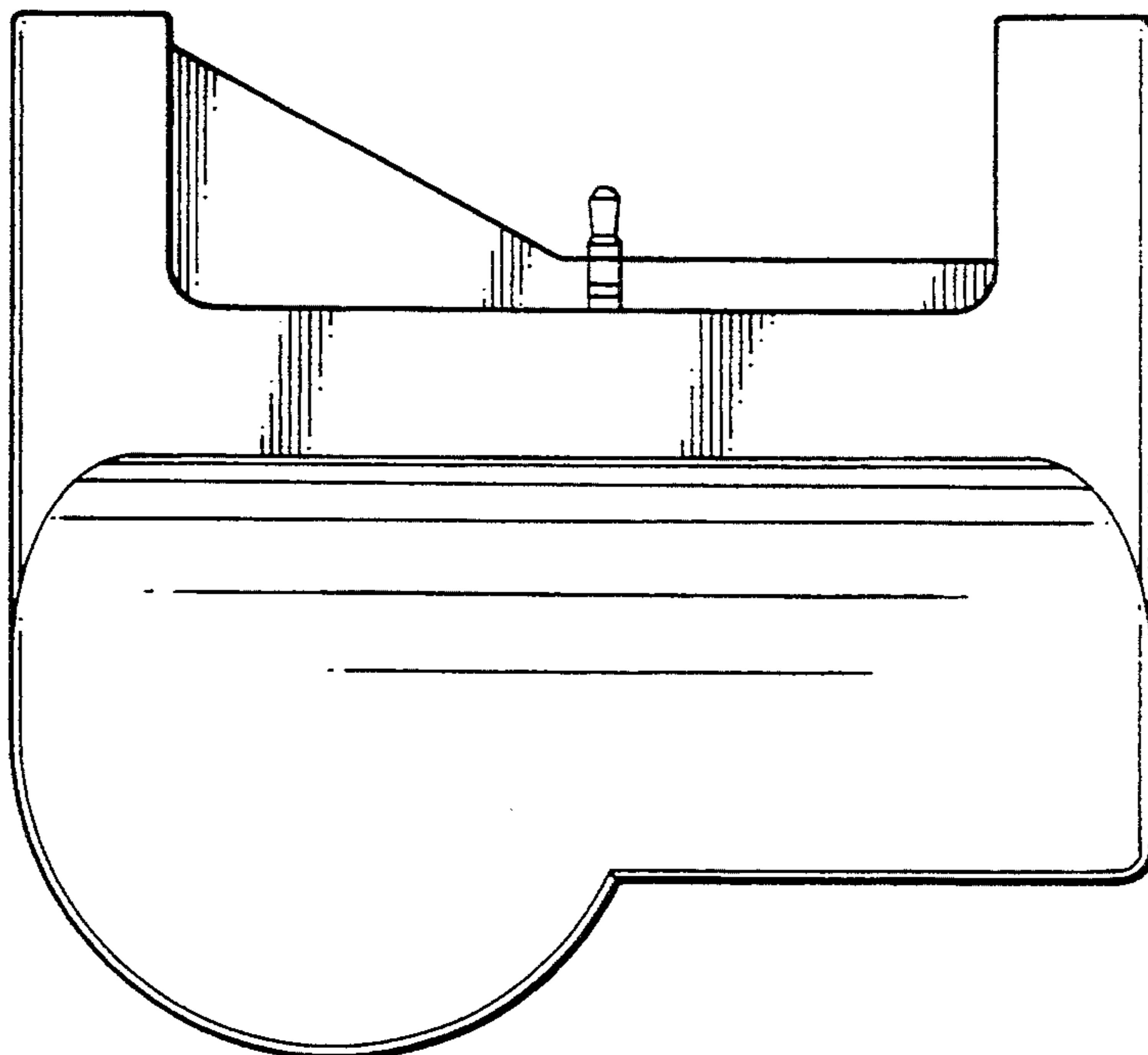
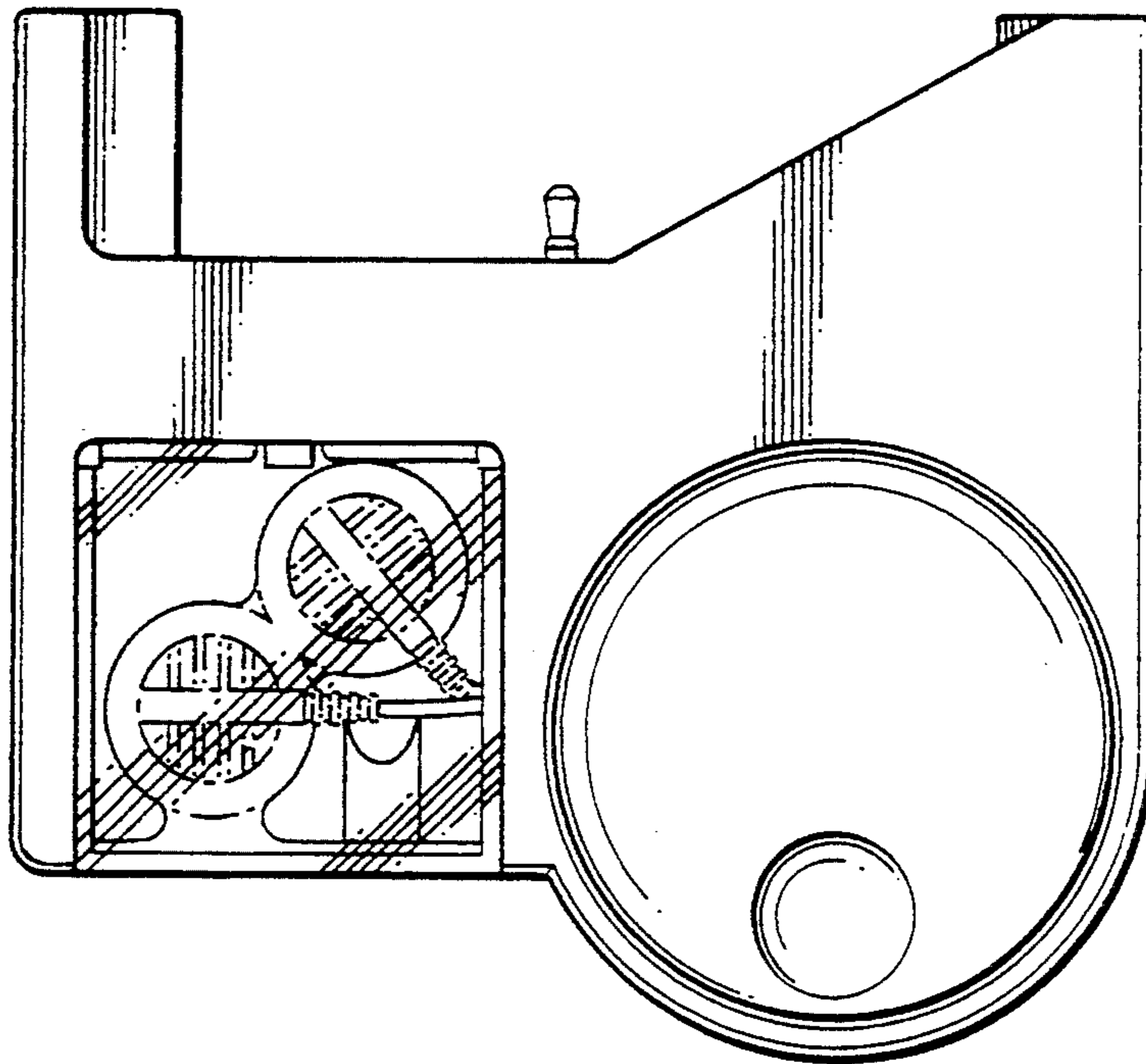
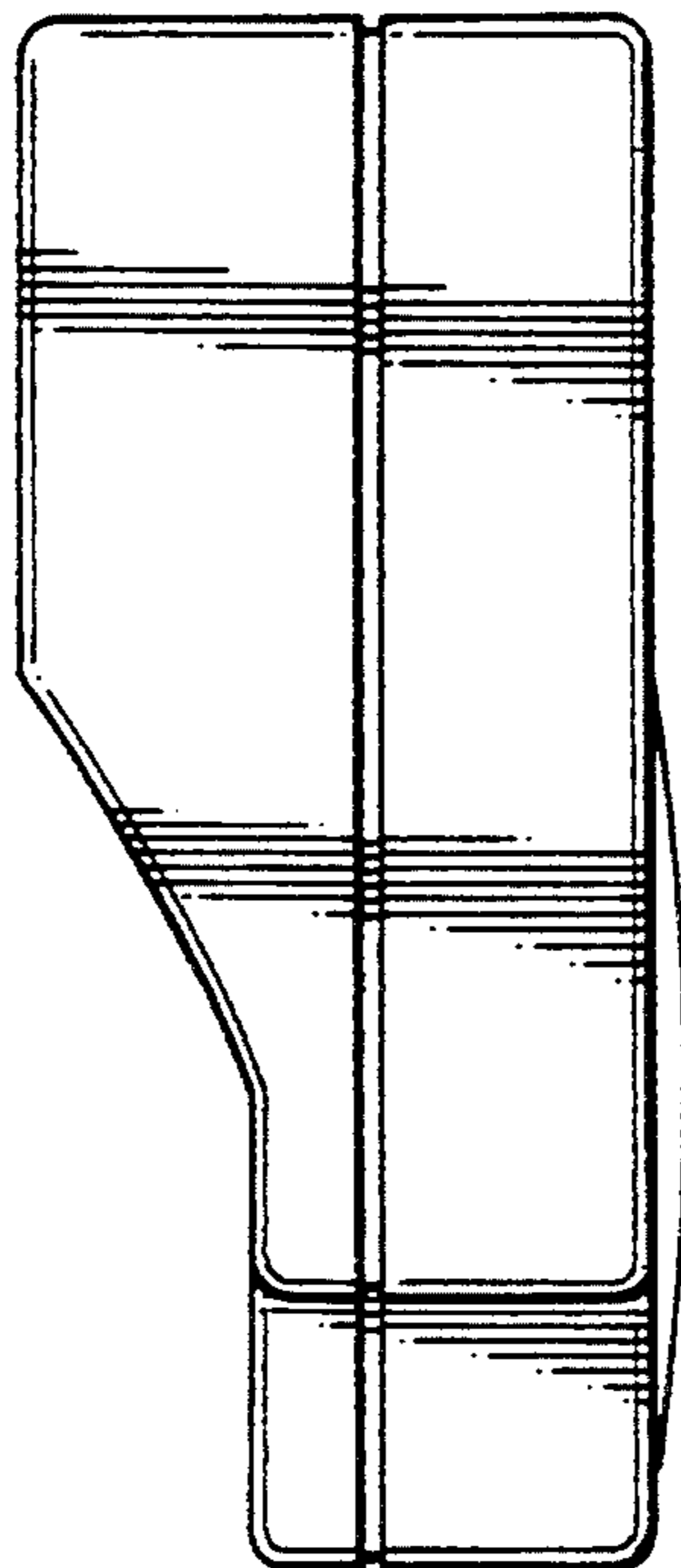
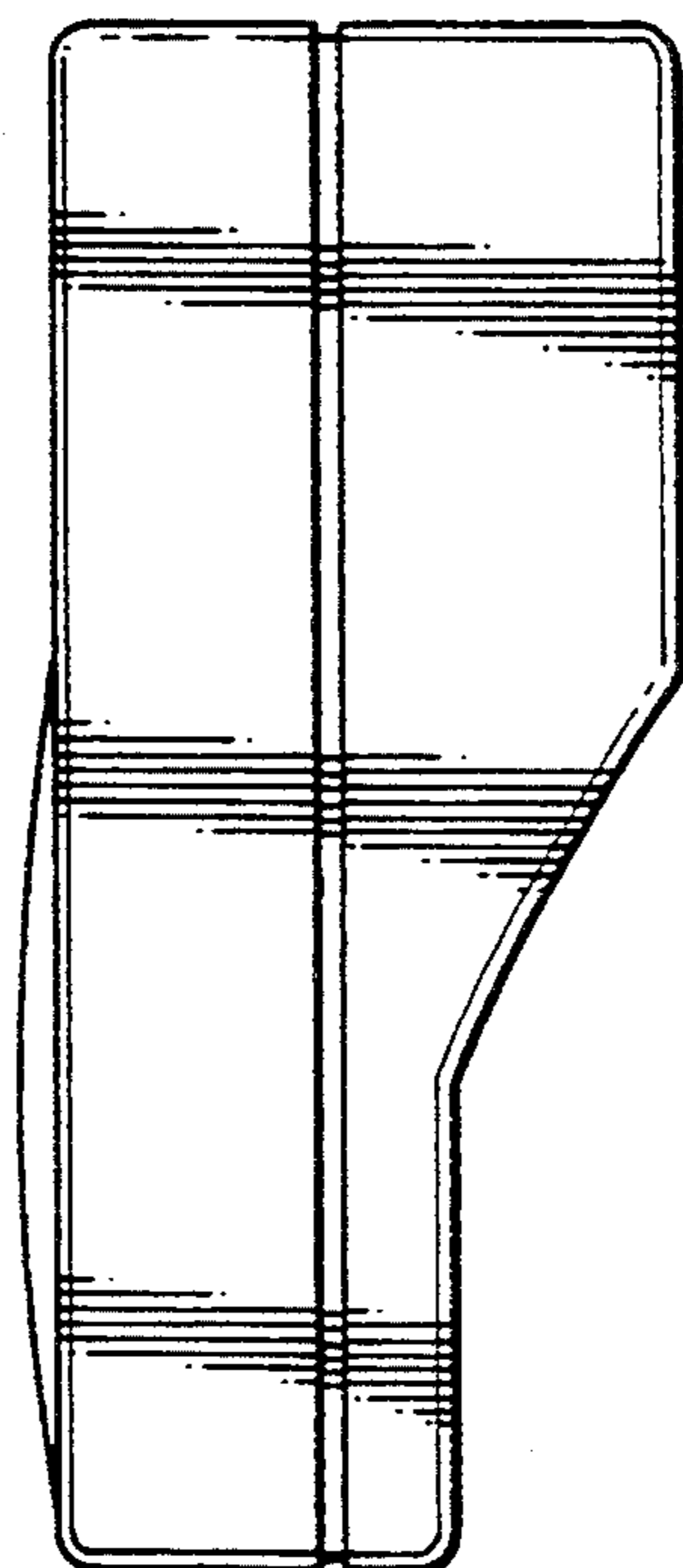


FIG. 2



*FIG. 3*



*FIG. 4*

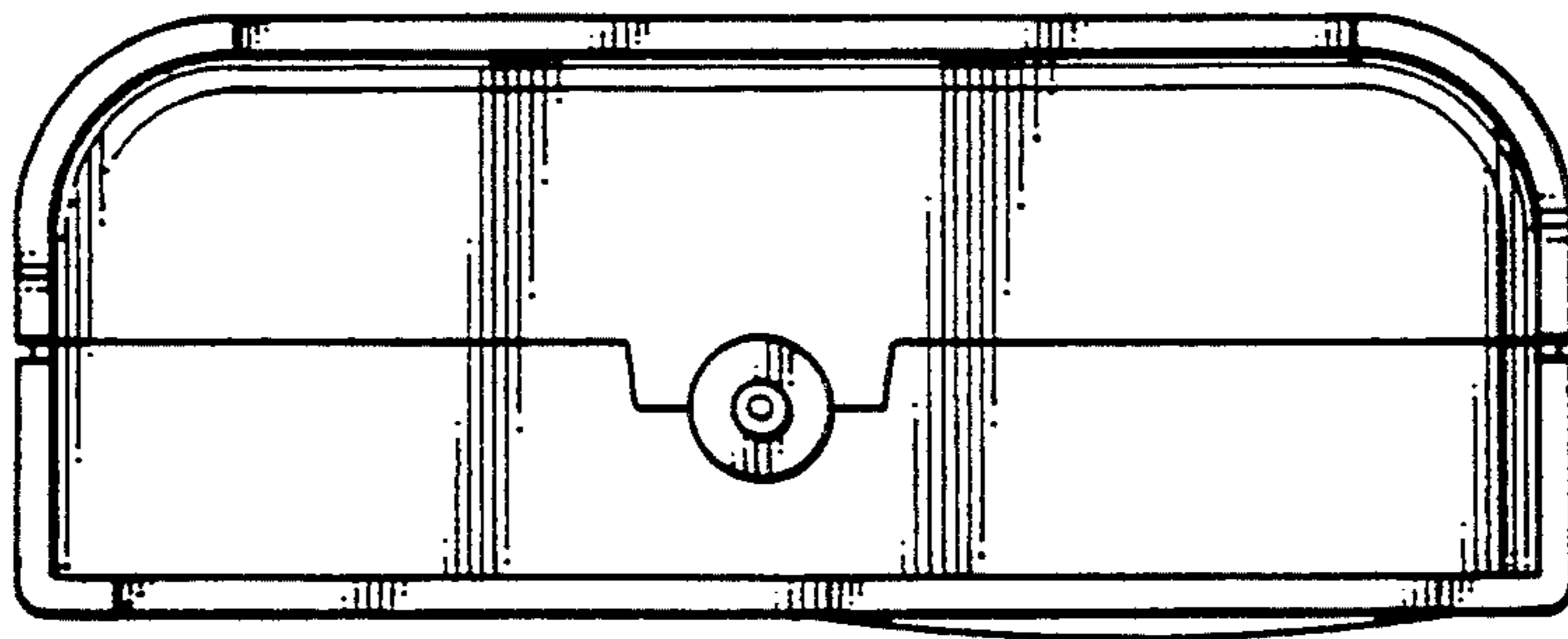


FIG. 5

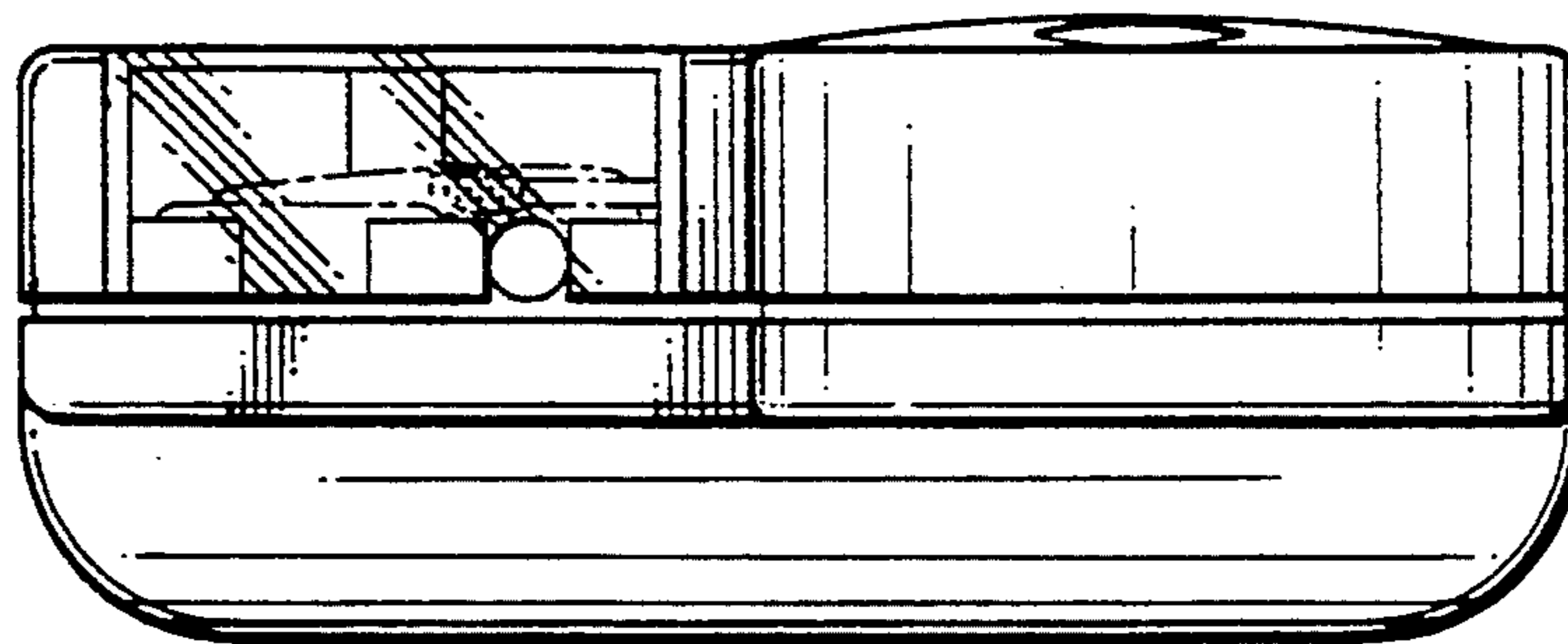


FIG. 6