



US00D357943S

United States Patent [19]

[11] Patent Number: **Des. 357,943**

Szekely

[45] Date of Patent: **** May 2, 1995**

[54] **INFORMATION COLUMN**

[75] Inventor: **Martin Szekely, Paris, France**

[73] Assignee: **J. C. Decaux, France**

[**] Term: **14 Years**

[21] Appl. No.: **16,505**

[22] Filed: **Dec. 16, 1993**

[30] **Foreign Application Priority Data**

Jun. 18, 1993 [FR] France 933204

[52] U.S. Cl. **D20/10**

[58] Field of Search D20/10, 16, 19, 21,
D20/28, 29, 39, 41; 40/368, 369, 584, 606, 607,
611

[56] **References Cited**

U.S. PATENT DOCUMENTS

D. 46,412 9/1914 Newman D20/10

D. 52,750 12/1918 McDannorell, Jr. D20/10

D. 109,166	4/1938	Tilton et al.	D20/10
D. 289,062	3/1987	Paulmier	D20/10
D. 296,221	6/1988	Kissler	D20/10
D. 314,014	1/1991	Decaux	D20/10
D. 331,077	11/1992	Foster	D20/10

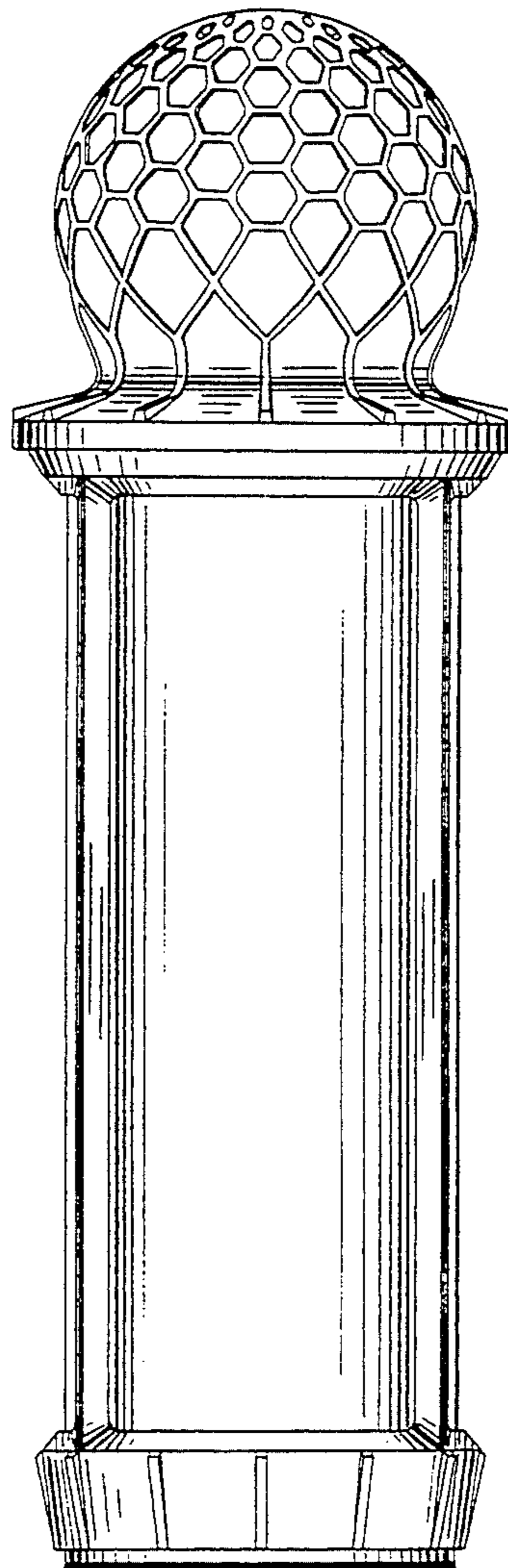
Primary Examiner—James M. Gandy
Assistant Examiner—Marcus Jackson
Attorney, Agent, or Firm—Andrus, Scales, Starke & Sawall

[57] **CLAIM**

The ornamental design for information column, as shown and described.

DESCRIPTION

FIG. 1 is a side elevational view of an information column showing my new design, with the opposite sides being a mirror image;
FIG. 2 is a side elevational view thereof, with the article shown in open condition; and,
FIG. 3 is a top plan view thereof, with the bottom being flat and unornamented.



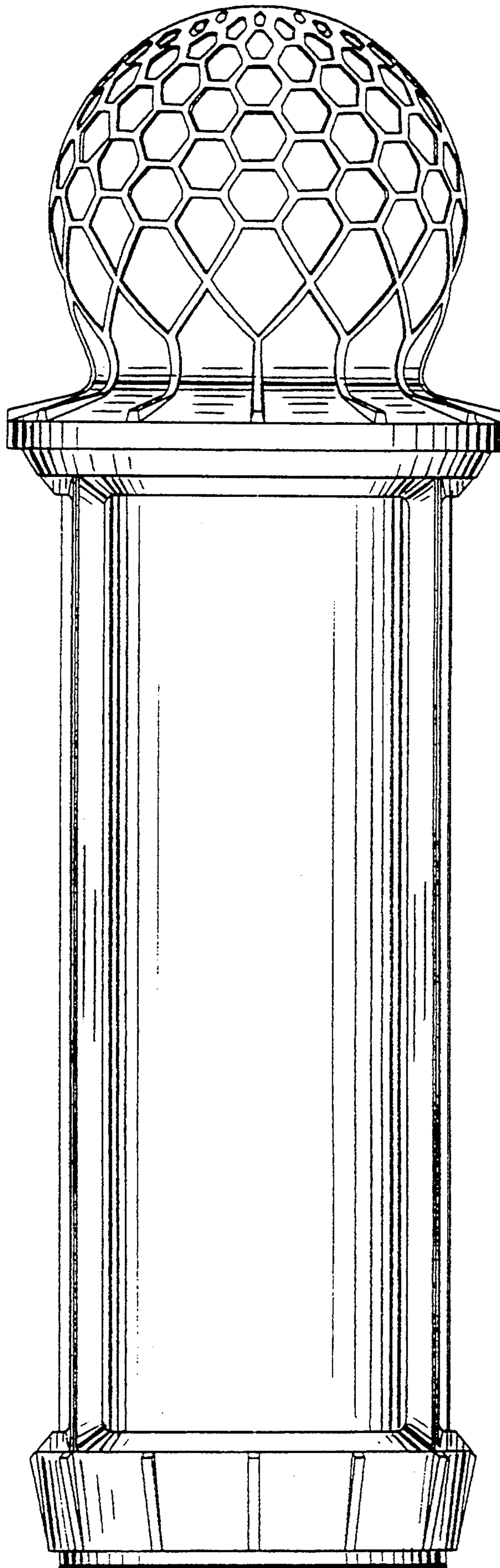


FIG. 1

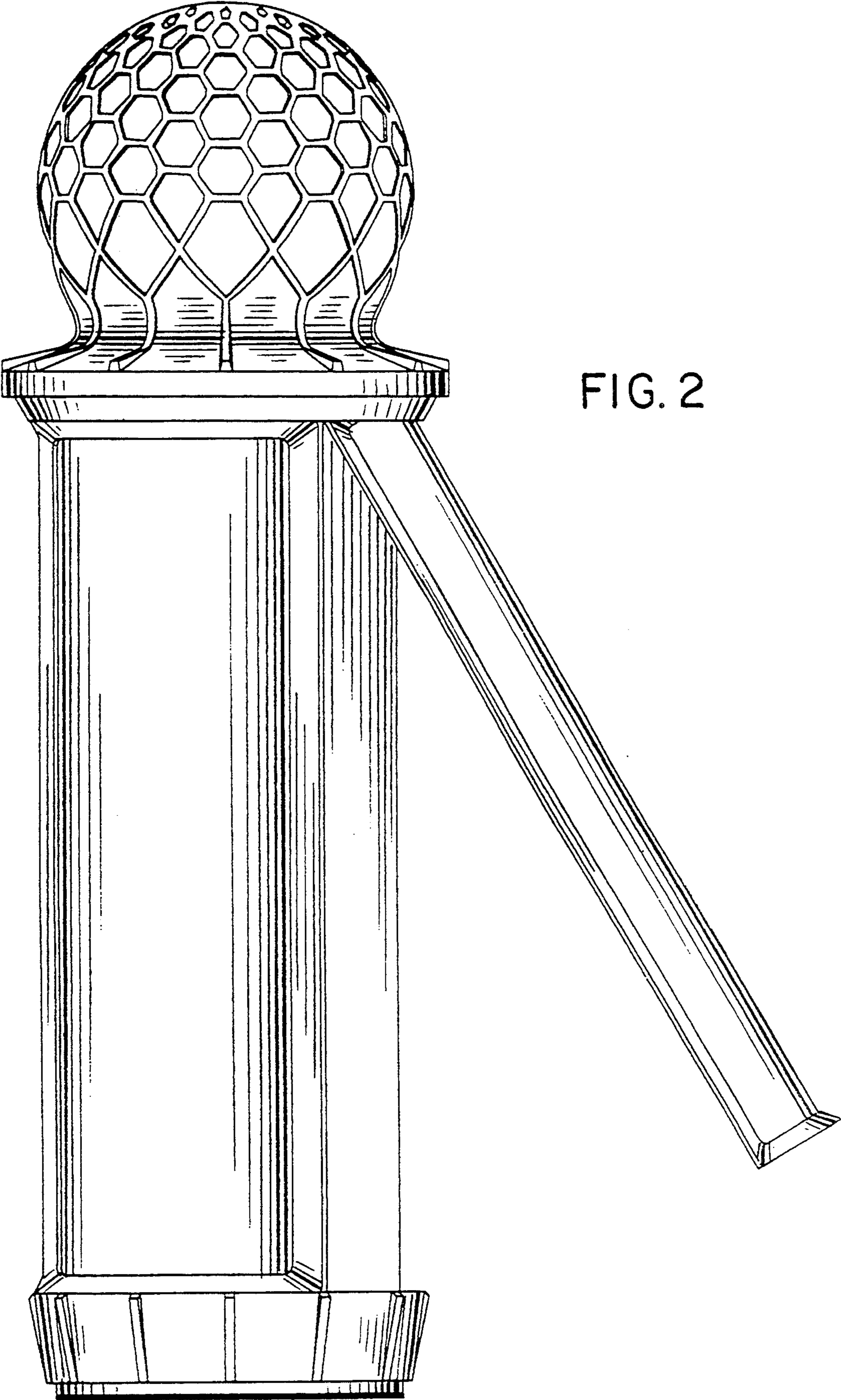


FIG. 2

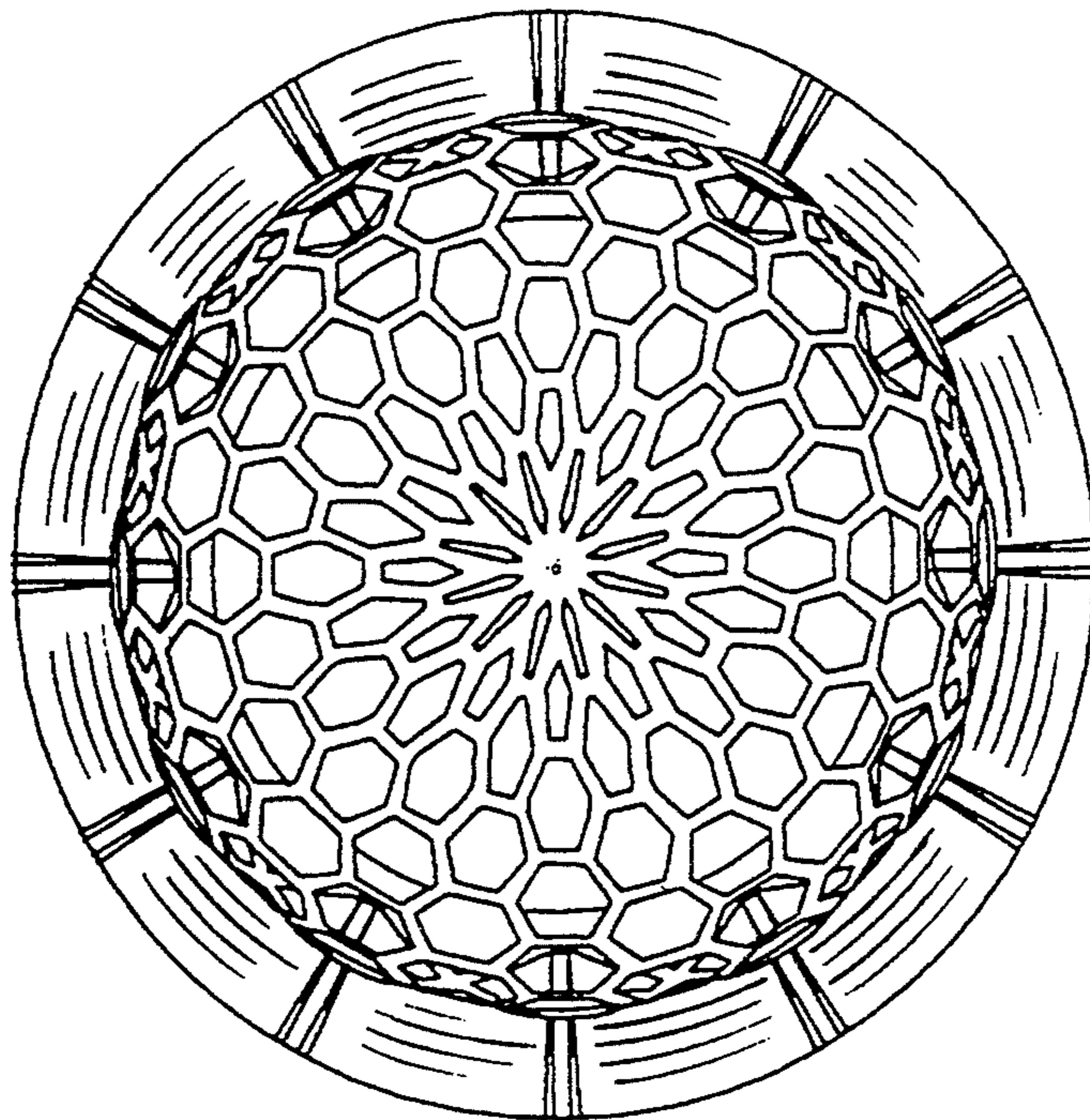


FIG. 3