



US00D357939S

United States Patent [19]

[11] Patent Number: **Des. 357,939**

Turmala

[45] Date of Patent: **** May 2, 1995**

[54] **CARD STAND**

[76] Inventor: **Jeanette L. Turmala**, P.O. Box 15430,
Seattle, Wash. 98115-0430

[**] Term: **14 Years**

[21] Appl. No.: **12,185**

[22] Filed: **Aug. 26, 1993**

[52] U.S. Cl. **D19/90; D19/86;**
D19/95

[58] Field of Search **D6/407, 462, 474;**
D19/65, 75, 78, 90, 91; 211/10, 11, 13, 40, 41,
50, 55, 43

[56] **References Cited**

U.S. PATENT DOCUMENTS

D. 201,411 6/1965 Tucker D19/90
D. 202,315 9/1965 Tucker D19/90

D. 250,960 1/1979 Bitner, Jr. et al. D19/90
D. 277,969 3/1985 Bustos D19/75
D. 291,900 9/1987 Mortensen D19/90 X
4,944,412 7/1990 Daigre 211/11

Primary Examiner—Martie Thompson
Attorney, Agent, or Firm—Graybeal Jackson Haley &
Johnson

[57] **CLAIM**

The ornamental design for a card stand, as shown and described.

DESCRIPTION

FIG. 1 is a top, right front perspective view of a card stand showing my new design;
FIG. 2 is a front elevational view thereof;
FIG. 3 is a back elevational view thereof;
FIG. 4 is a side elevational view thereof;
FIG. 5 is a top plan view thereof; and,
FIG. 6 is a bottom plan view thereof.

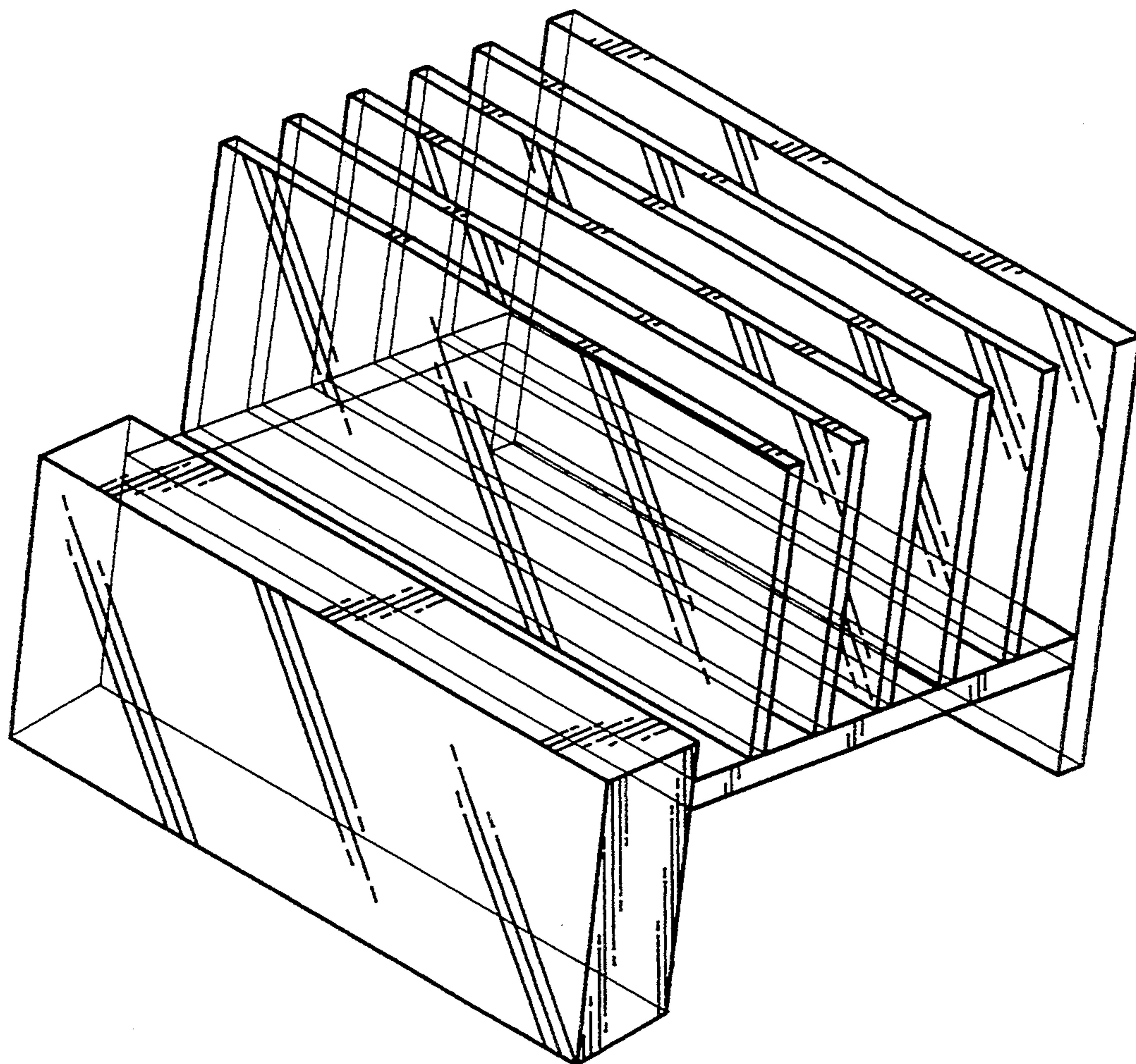


FIG. 1

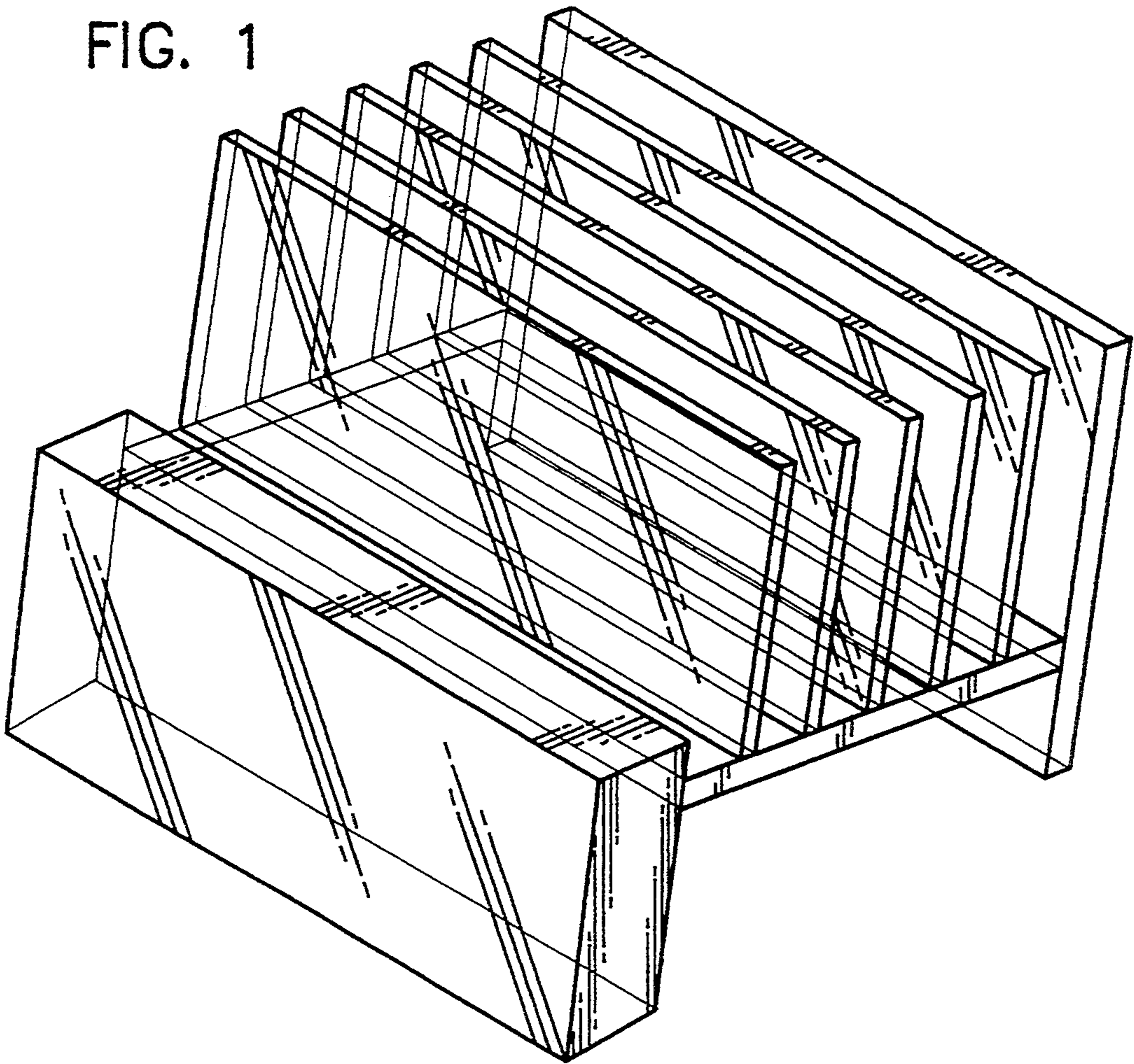


FIG. 2

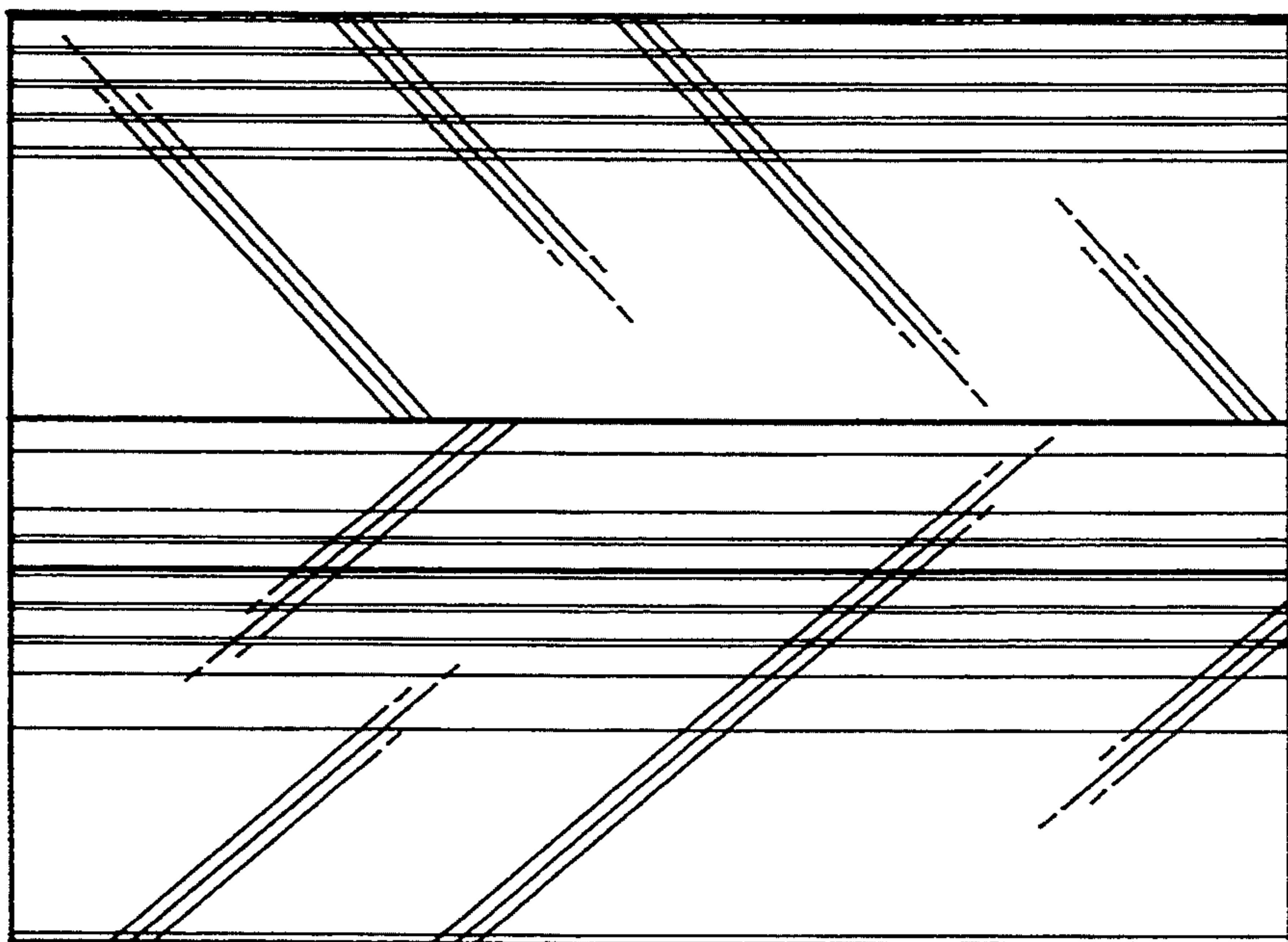


FIG. 3

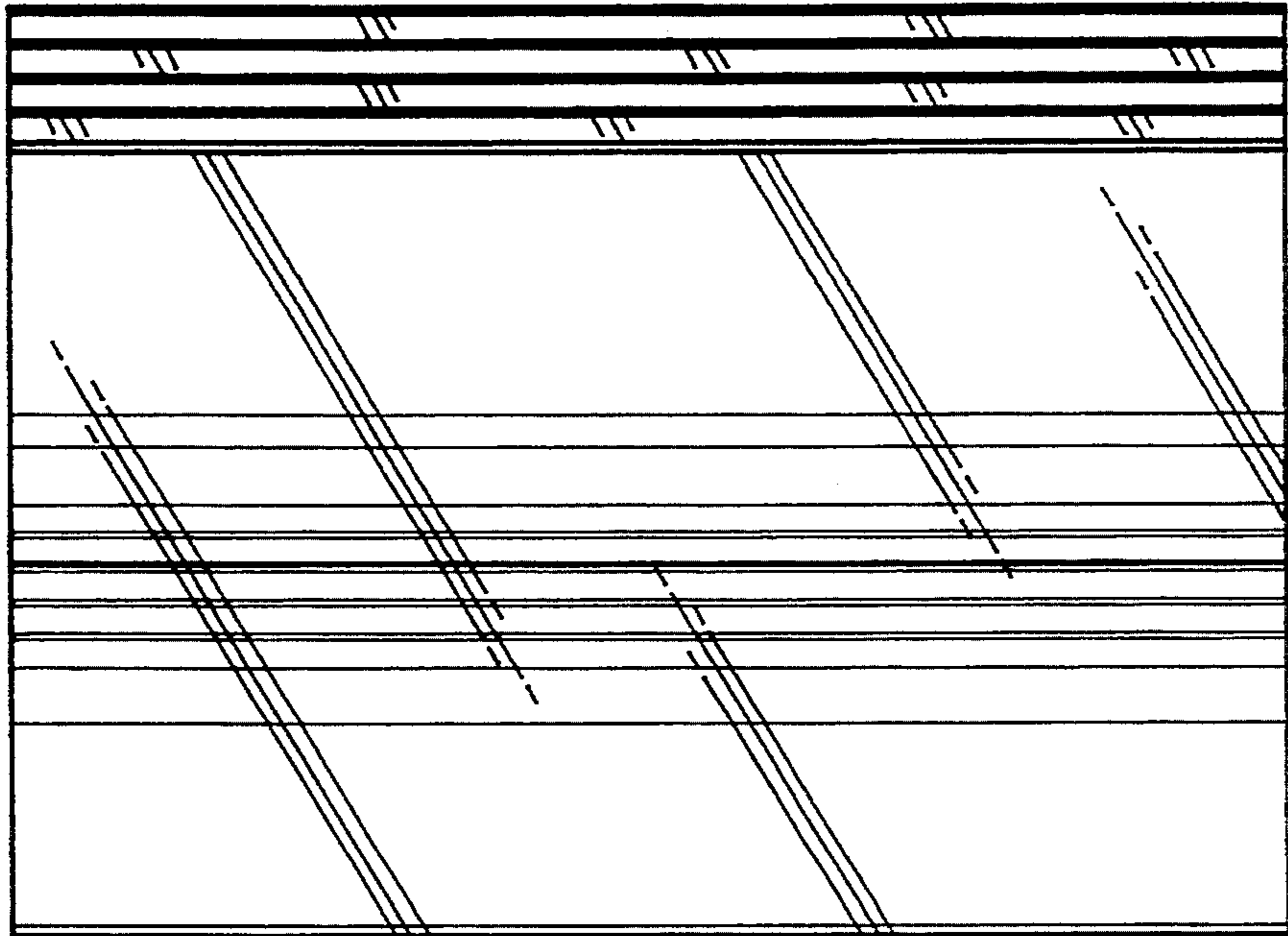


FIG. 4

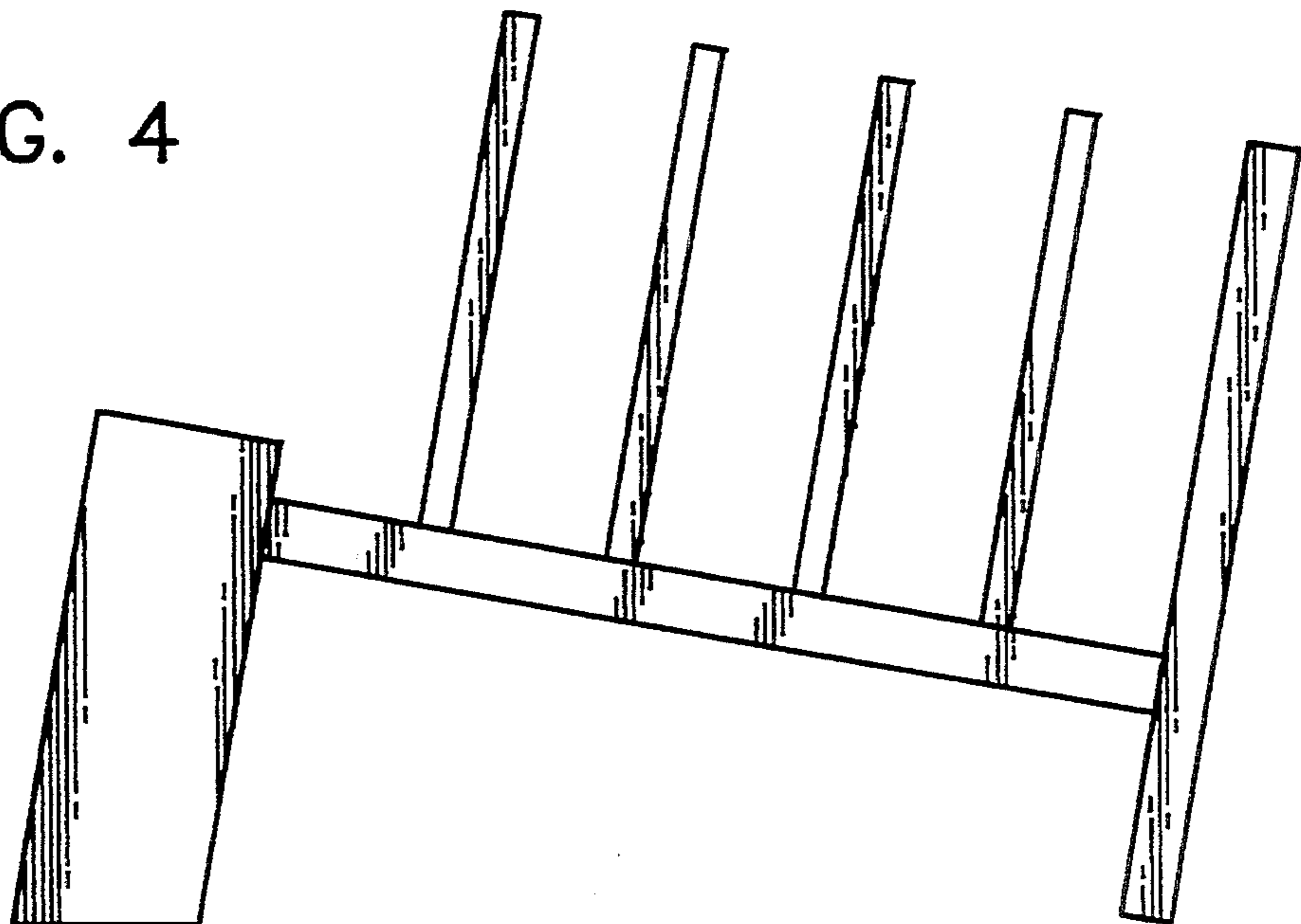


FIG. 5

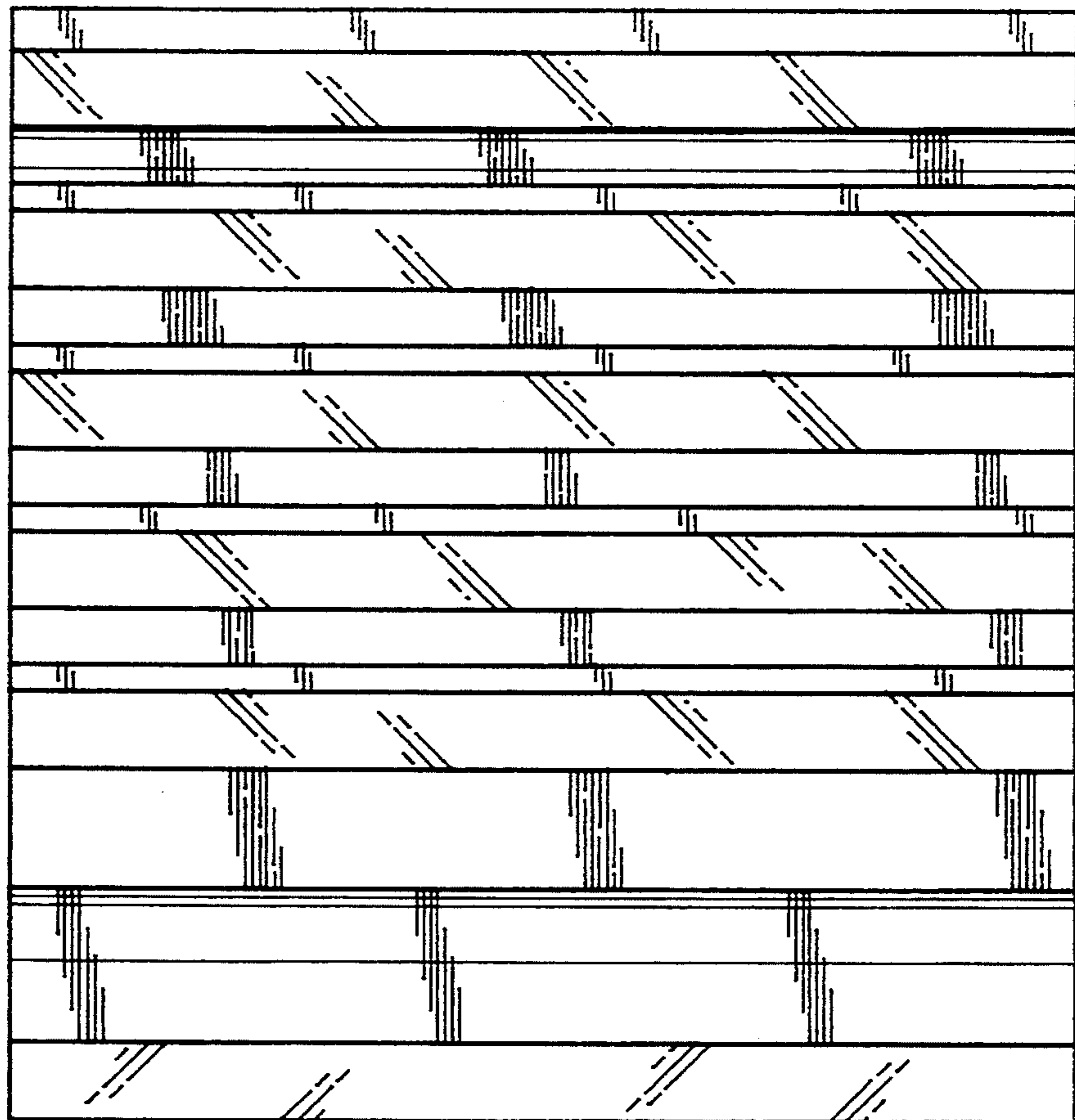


FIG. 6

