



US00D357938S

United States Patent [19]

[11] Patent Number: **Des. 357,938**

Wolff

[45] Date of Patent: **** May 2, 1995**

[54] SELF-STICK REMOVABLE NOTE HOLDER

2,953,293	9/1960	Anderson	221/63 X
3,381,853	5/1968	Ferris et al.	221/63
5,086,946	2/1992	Blackwell et al.	221/45
5,165,570	11/1992	Windorski et al.	221/46

[76] Inventor: **Stephen H. Wolff**, 35 W. 35th St.,
New York, N.Y. 10001

[**] Term: **14 Years**

Primary Examiner—Martie Thompson
Attorney, Agent, or Firm—Lerner, David, Littenberg,
Krumholz & Mentlik

[21] Appl. No.: **22,765**

[22] Filed: **May 11, 1994**

[57] **CLAIM**

[52] U.S. Cl. **D19/86; D19/92;**
D6/518; D9/339

The ornamental design for a self-stick removable note holder, as shown and described.

[58] Field of Search **D6/515, 518; D19/65,**
D19/75, 78, 86, 92, 95, 99, 100; 221/33, 35, 36,
45, 46, 58, 59, 60, 63; D9/339, 340, 346, 418

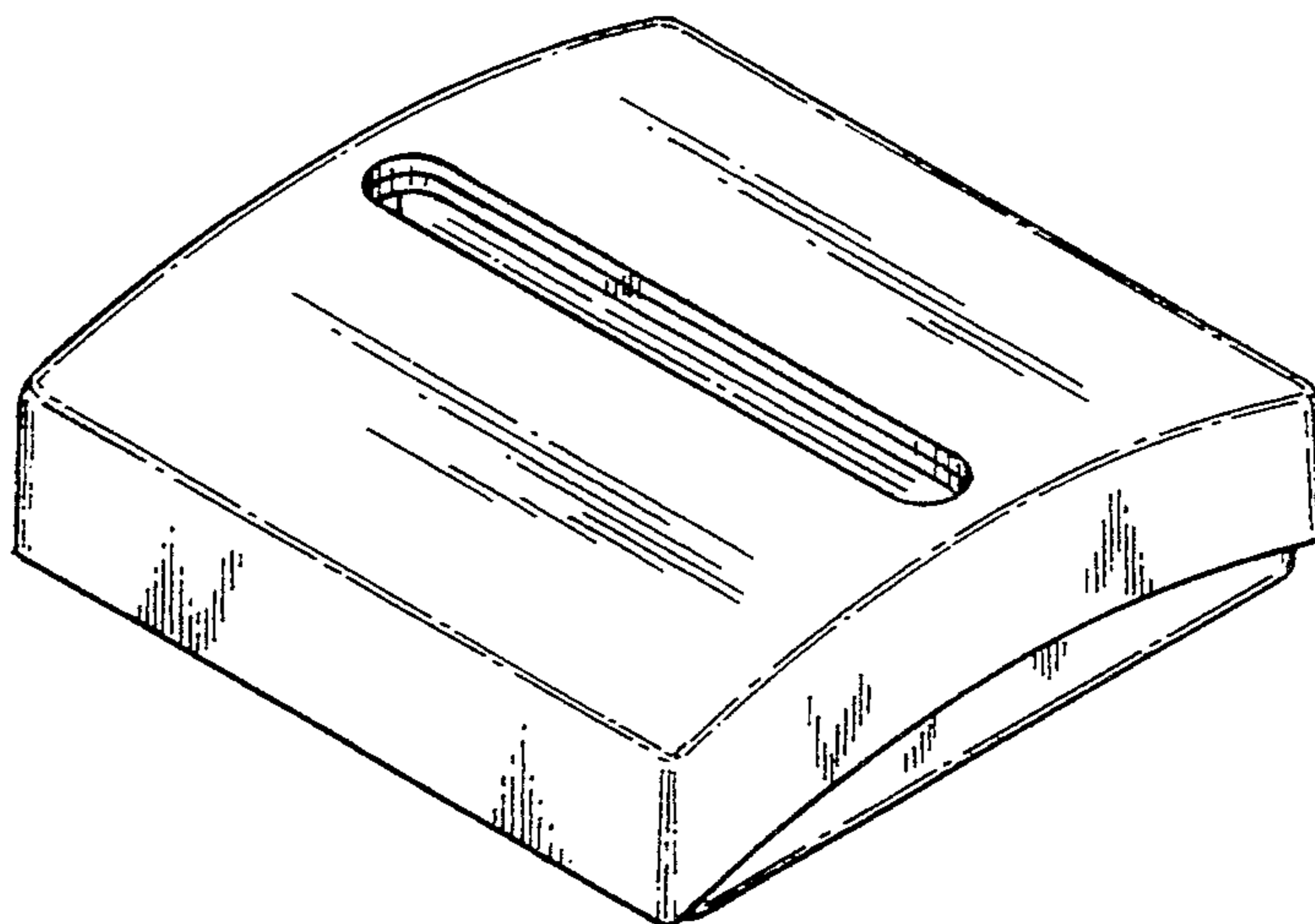
DESCRIPTION

[56] **References Cited**

FIG. 1 is a perspective view of the self-stick removable note holder in accordance with my new design;
FIG. 2 is a top plan view thereof;
FIG. 3 is a bottom plan view thereof;
FIG. 4 is a right side elevational view thereof (the left side elevational view is identical to the right side elevational view); and,
FIG. 5 is a front elevational view thereof (the rear elevational view is identical to the front elevational view).

U.S. PATENT DOCUMENTS

D. 332,889	2/1993	Hines	D6/518
D. 339,823	9/1993	Evenson	D19/86 X
2,382,368	8/1945	Mitchell, Jr.	221/63
2,464,426	3/1949	Williams	221/58
2,542,510	2/1951	Gray	221/63



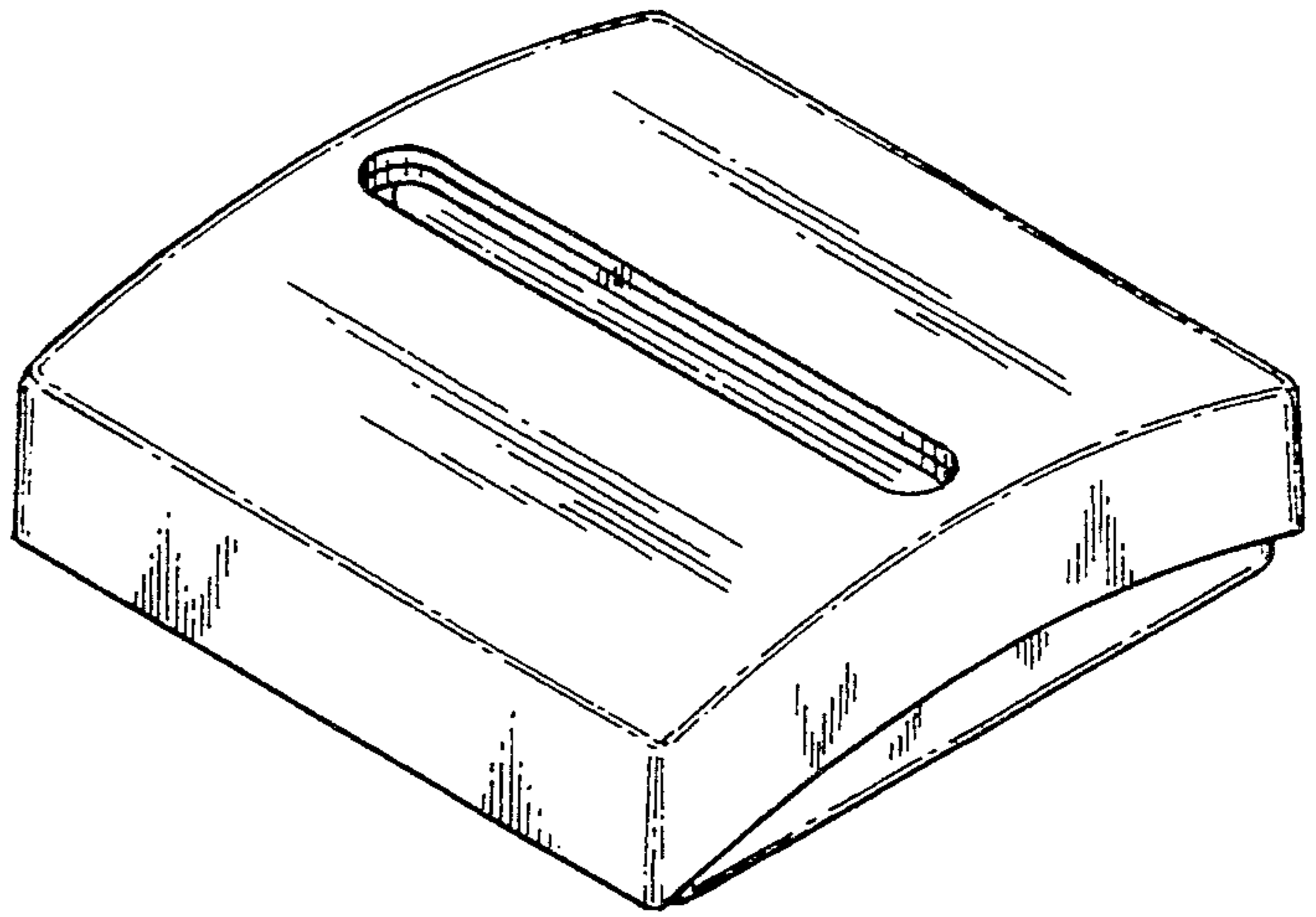


FIG. 1

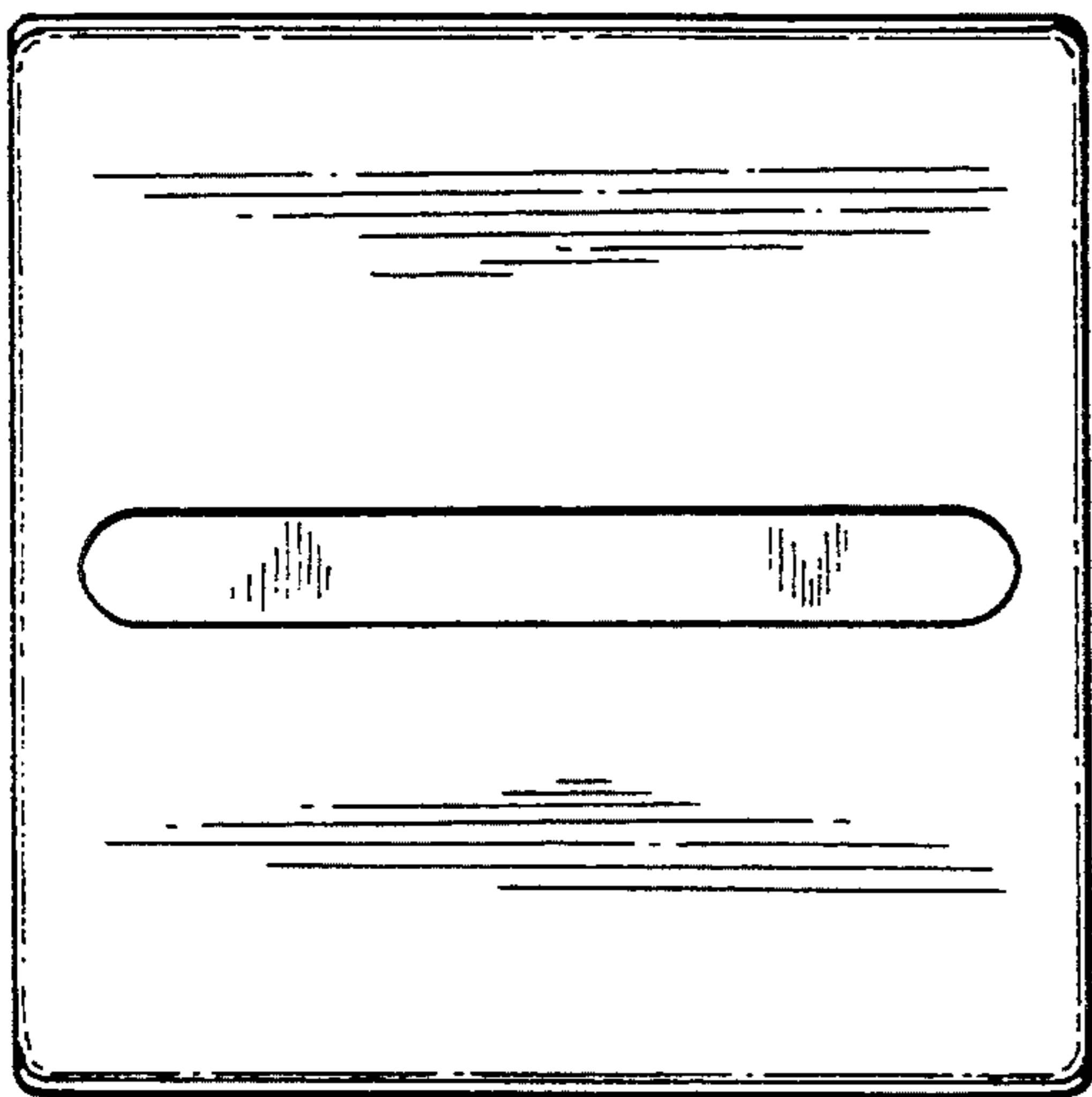


FIG. 2

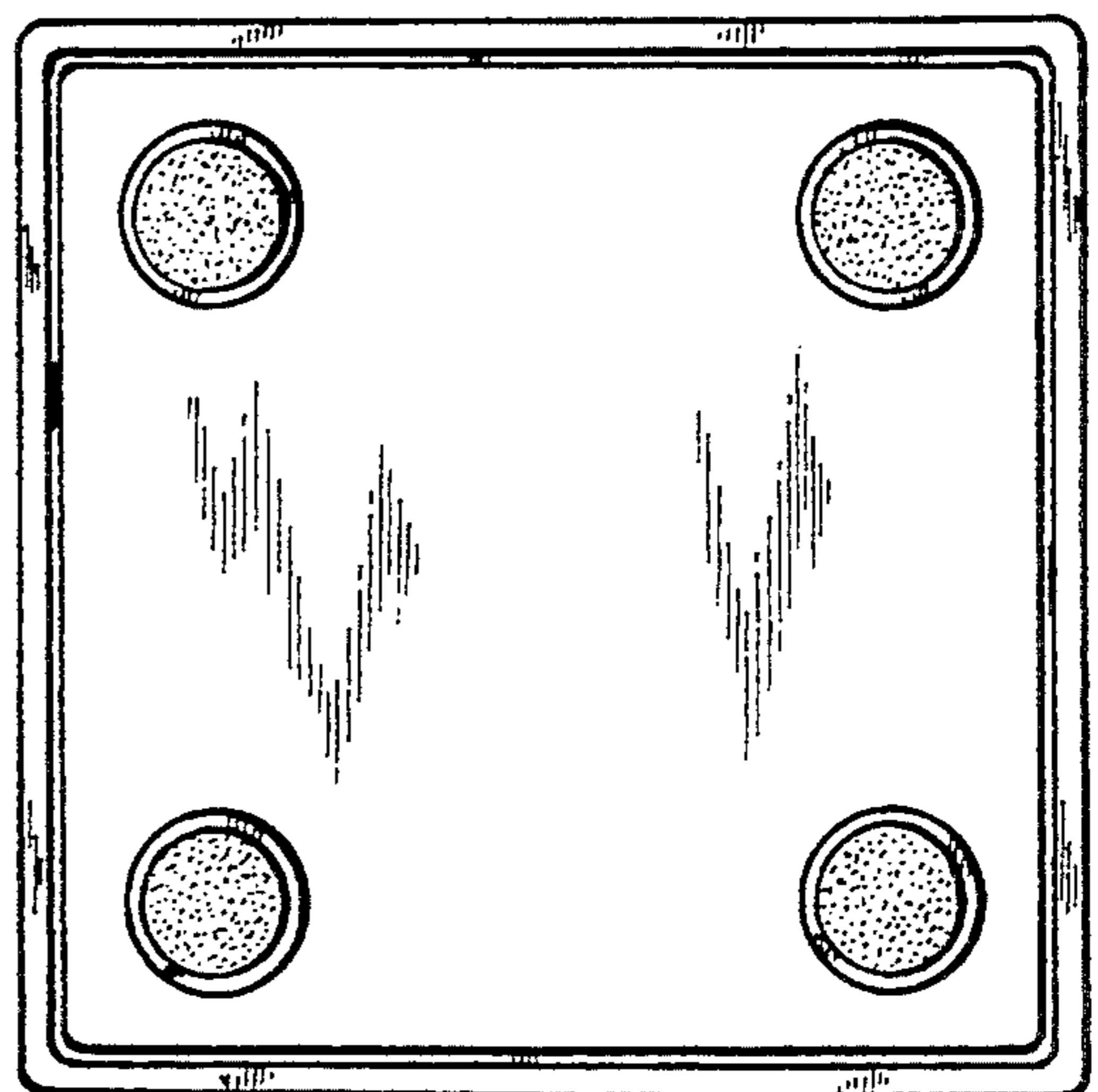


FIG. 3

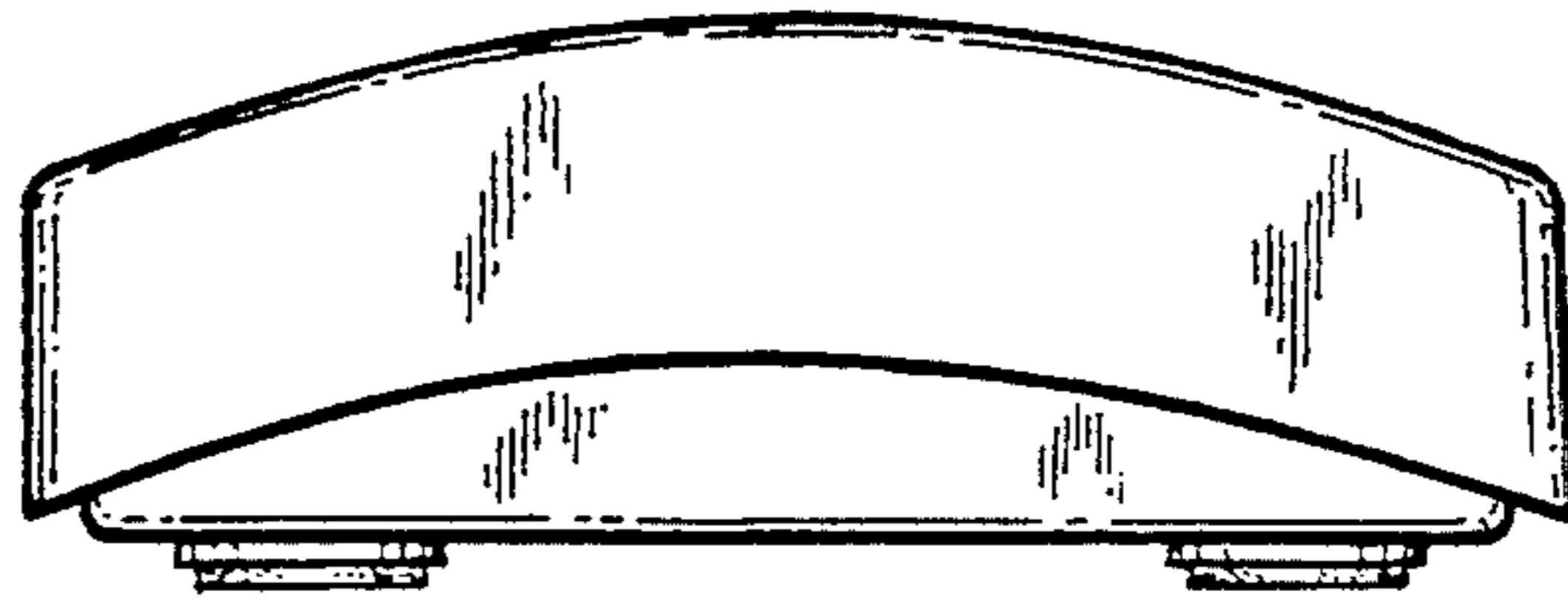


FIG. 4

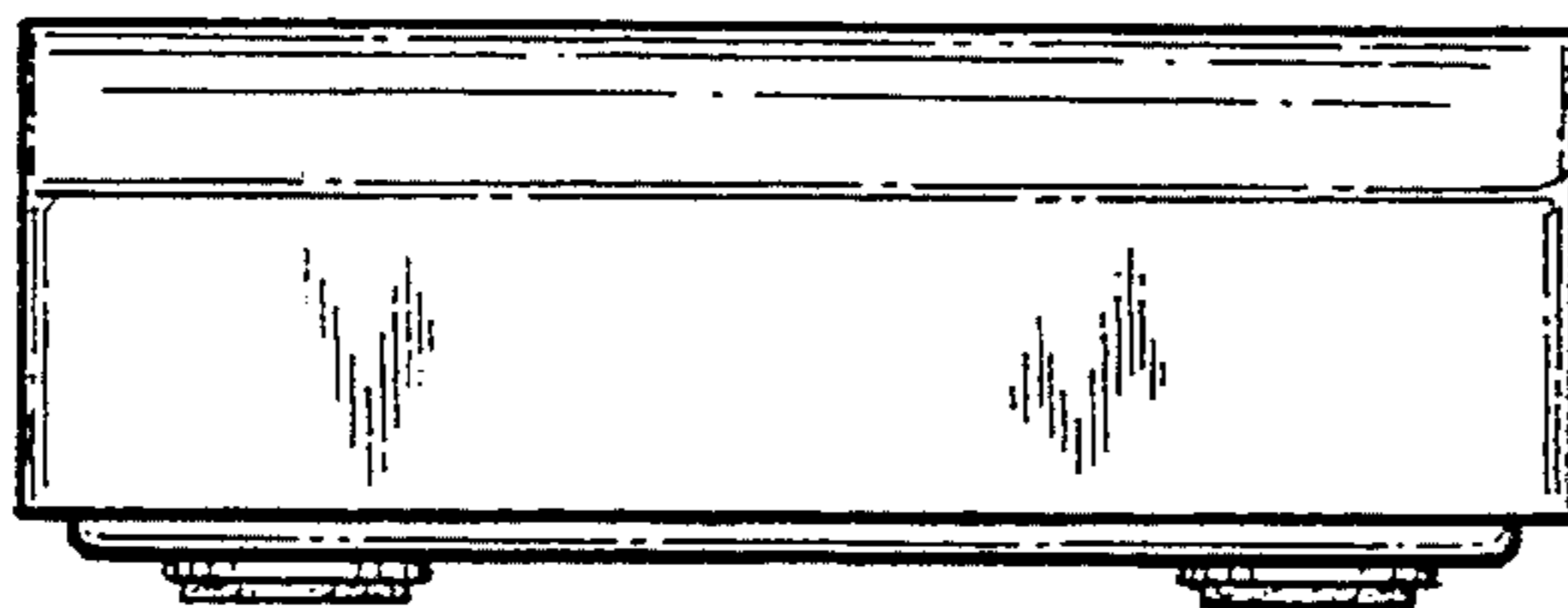


FIG. 5