



US00D357930S

United States Patent [19]

Gotham et al.

[11] Patent Number: **Des. 357,930**

[45] Date of Patent: **** May 2, 1995**

[54] **EQUIPMENT STAND**

[75] Inventors: **David R. Gotham**, Rochester, N.Y.;
William H. Cushman, Irving, Tex.;
Eugene W. Lachut, Spencerport,
N.Y.

[73] Assignee: **Eastman Kodak Company**,
Rochester, N.Y.

[**] Term: **14 Years**

[21] Appl. No.: **19,086**

[22] Filed: **Feb. 22, 1994**

[52] U.S. Cl. **D16/235; D6/449;**
D15/141

[58] Field of Search **D6/407, 449, 474, 475;**
D15/141; D16/223, 235, 239, 250; D18/59;
D34/17, 21; 312/7.2, 249.8, 249.13, 250

[56] **References Cited**

U.S. PATENT DOCUMENTS

D. 334,746 3/1994 Yomo D6/449 X
5,076,650 12/1991 Klein et al. 312/250

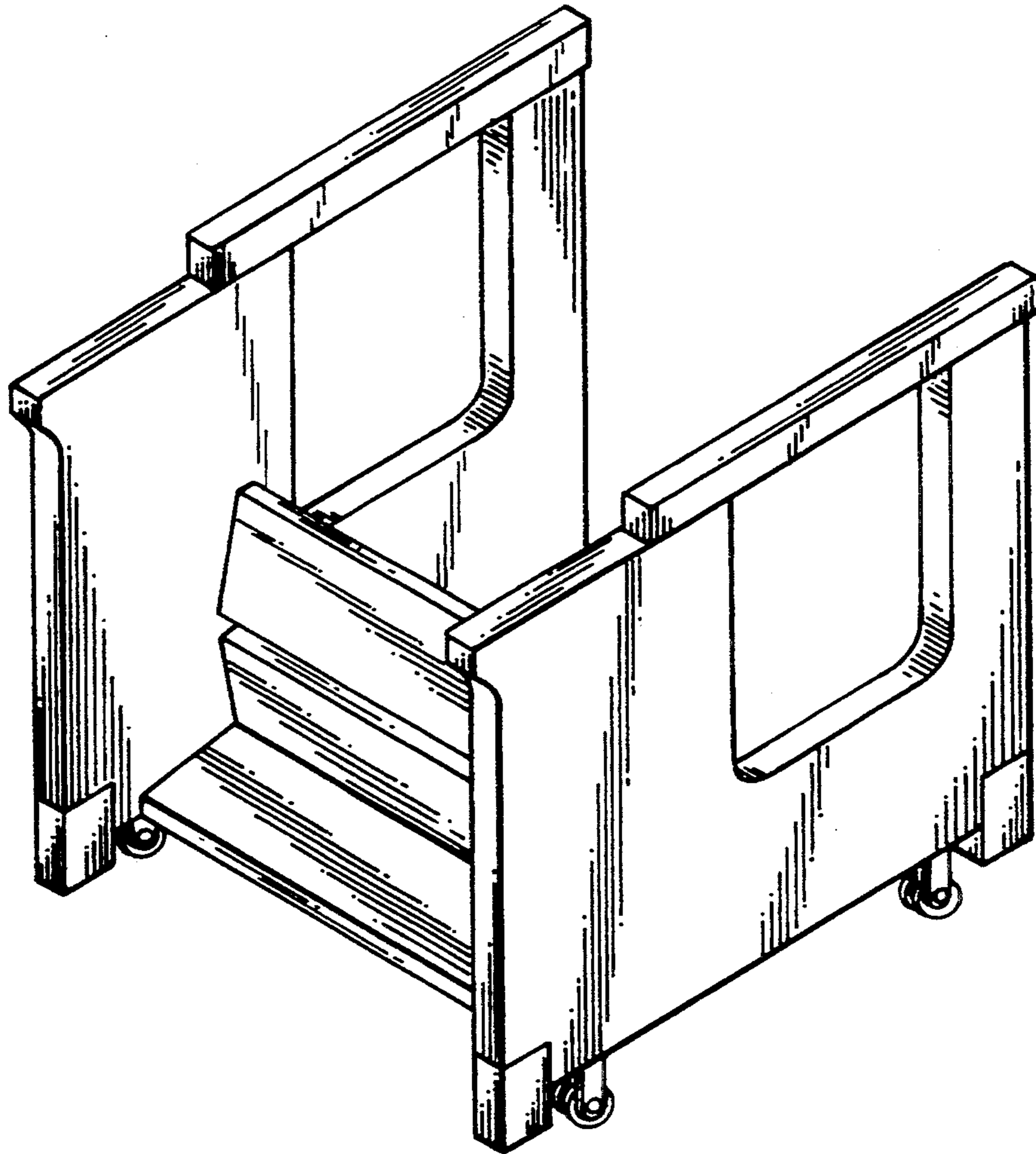
Primary Examiner—Alan P. Douglas
Assistant Examiner—Antoine D. Davis
Attorney, Agent, or Firm—Dennis R. Arndt

[57] **CLAIM**

The ornamental design for an equipment stand, as shown.

DESCRIPTION

FIG. 1 is a front and right perspective view of an equipment stand showing our new design;
FIG. 2 is a front elevational view thereof;
FIG. 3 is a right side elevational view thereof;
FIG. 4 is a left side elevational view thereof;
FIG. 5 is a rear elevational view thereof;
FIG. 6 is a top plan view thereof; and
FIG. 7 is a bottom plan view thereof.



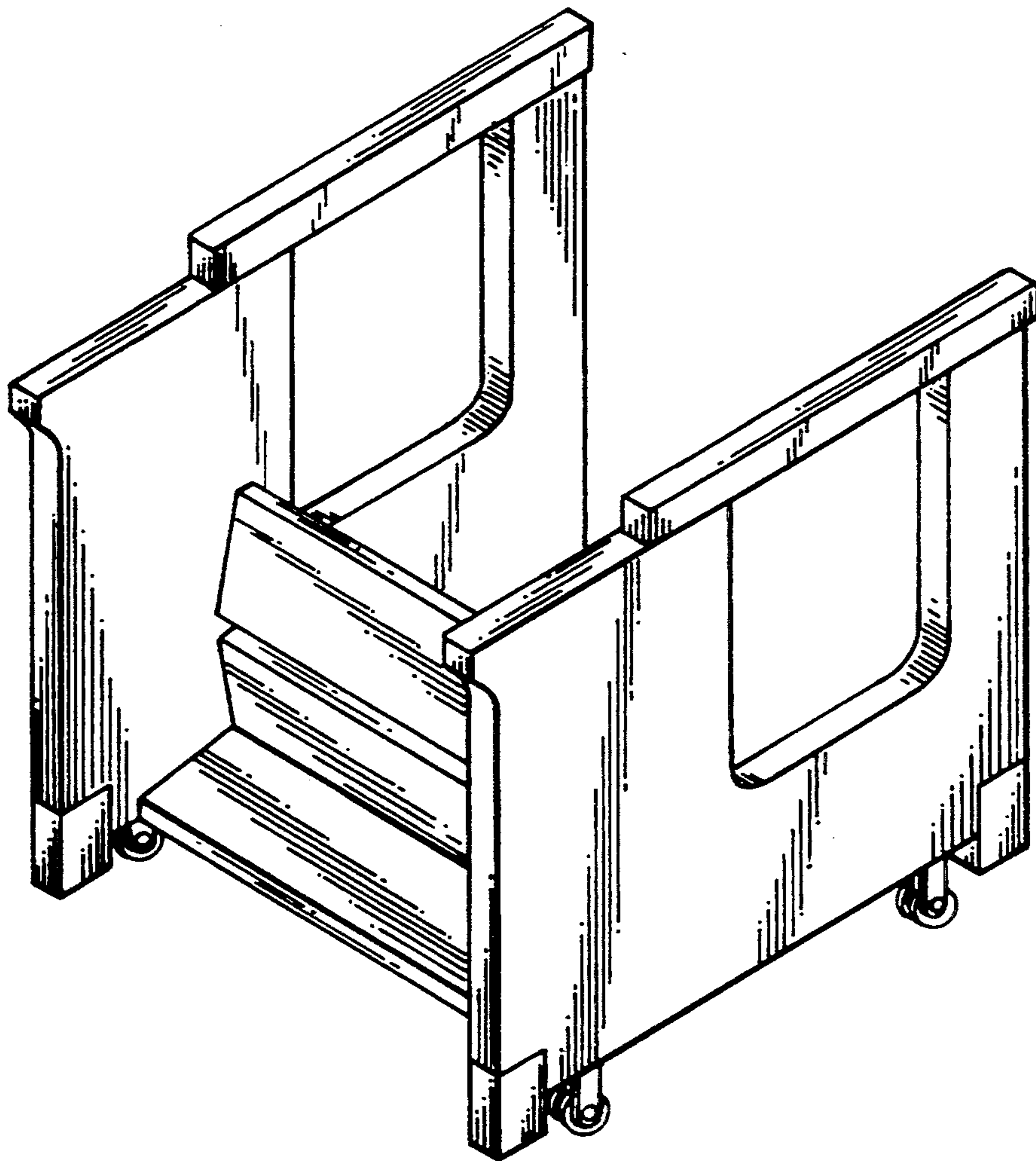


FIG. 1

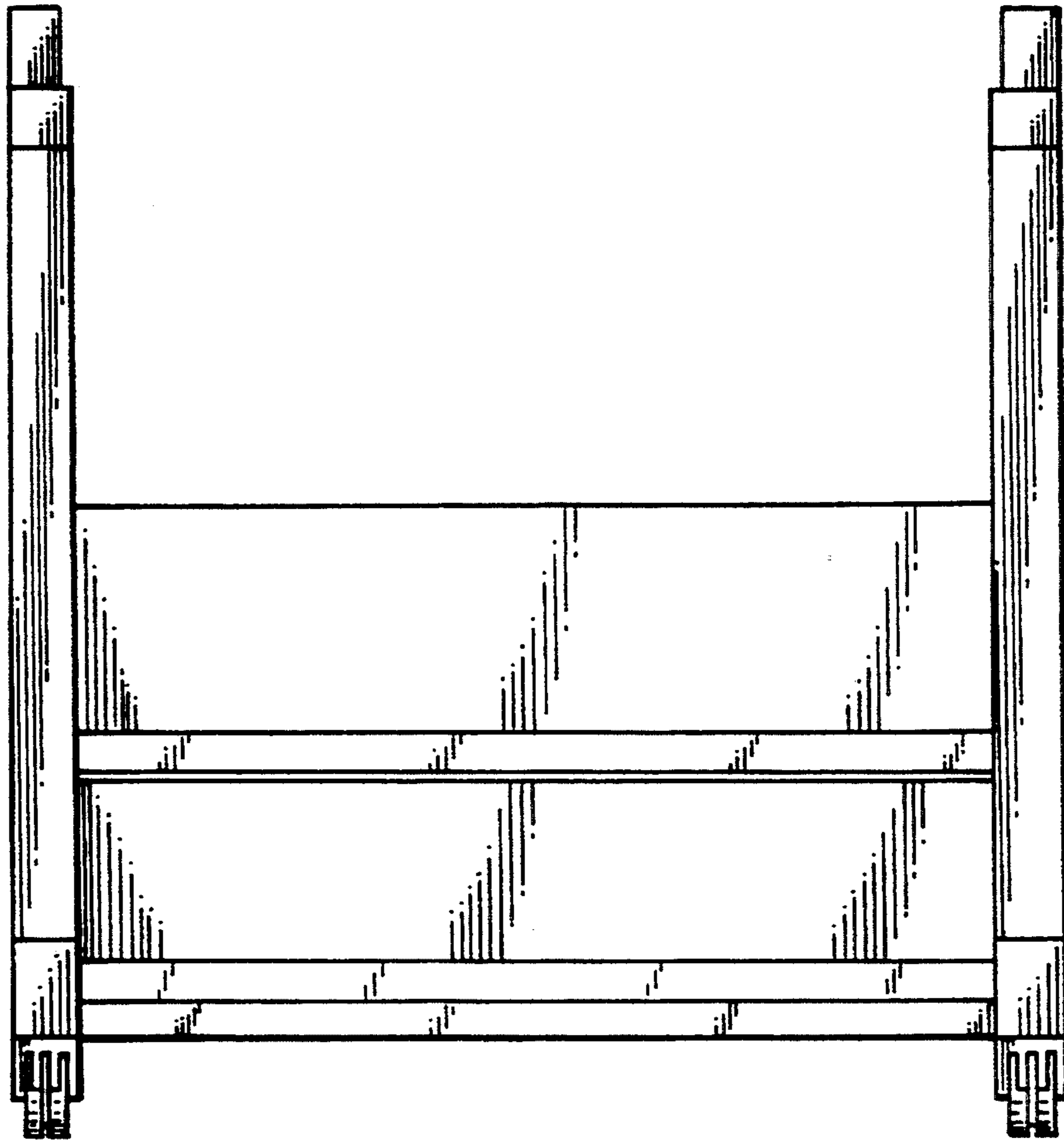


FIG. 2

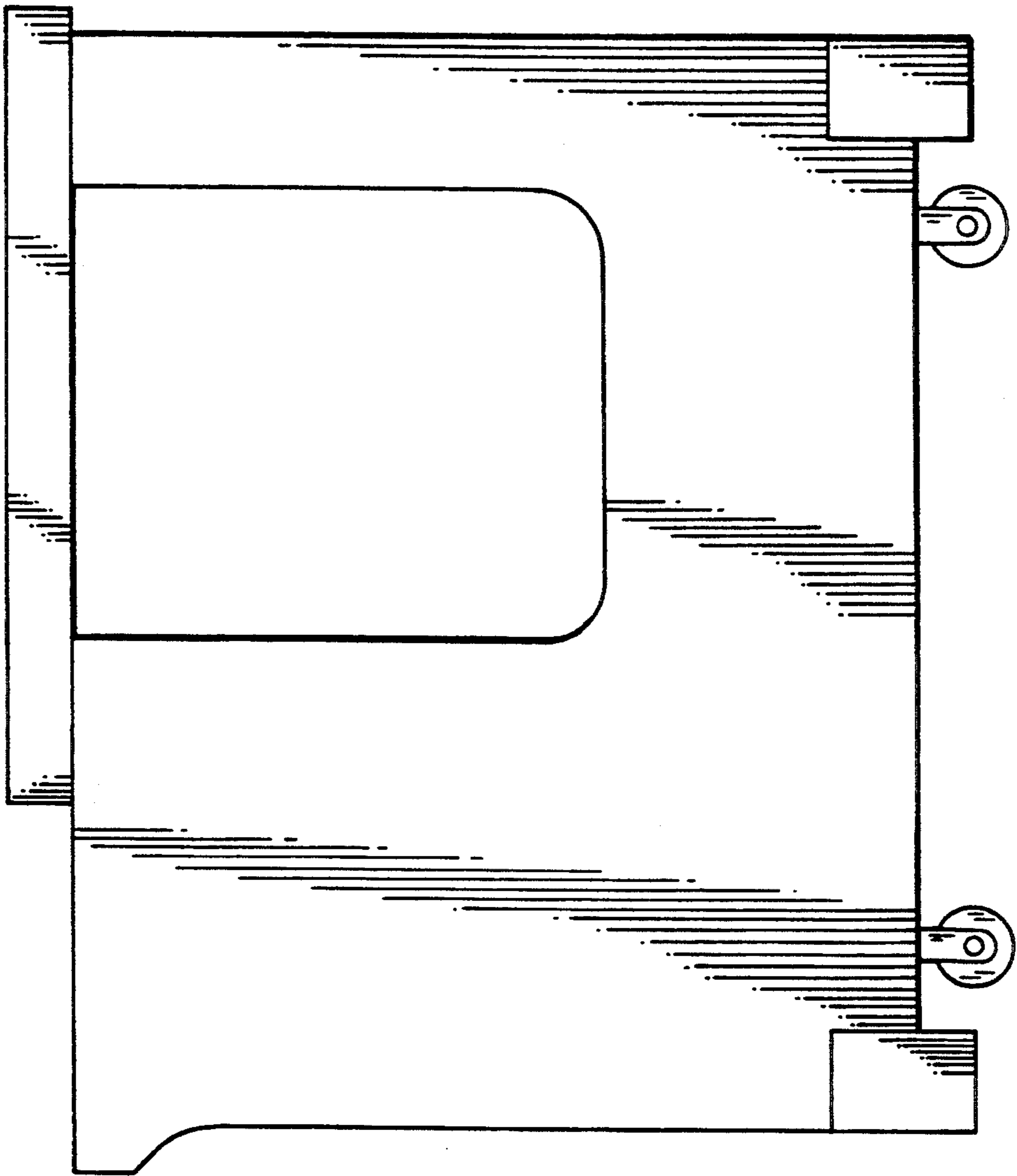


FIG. 3

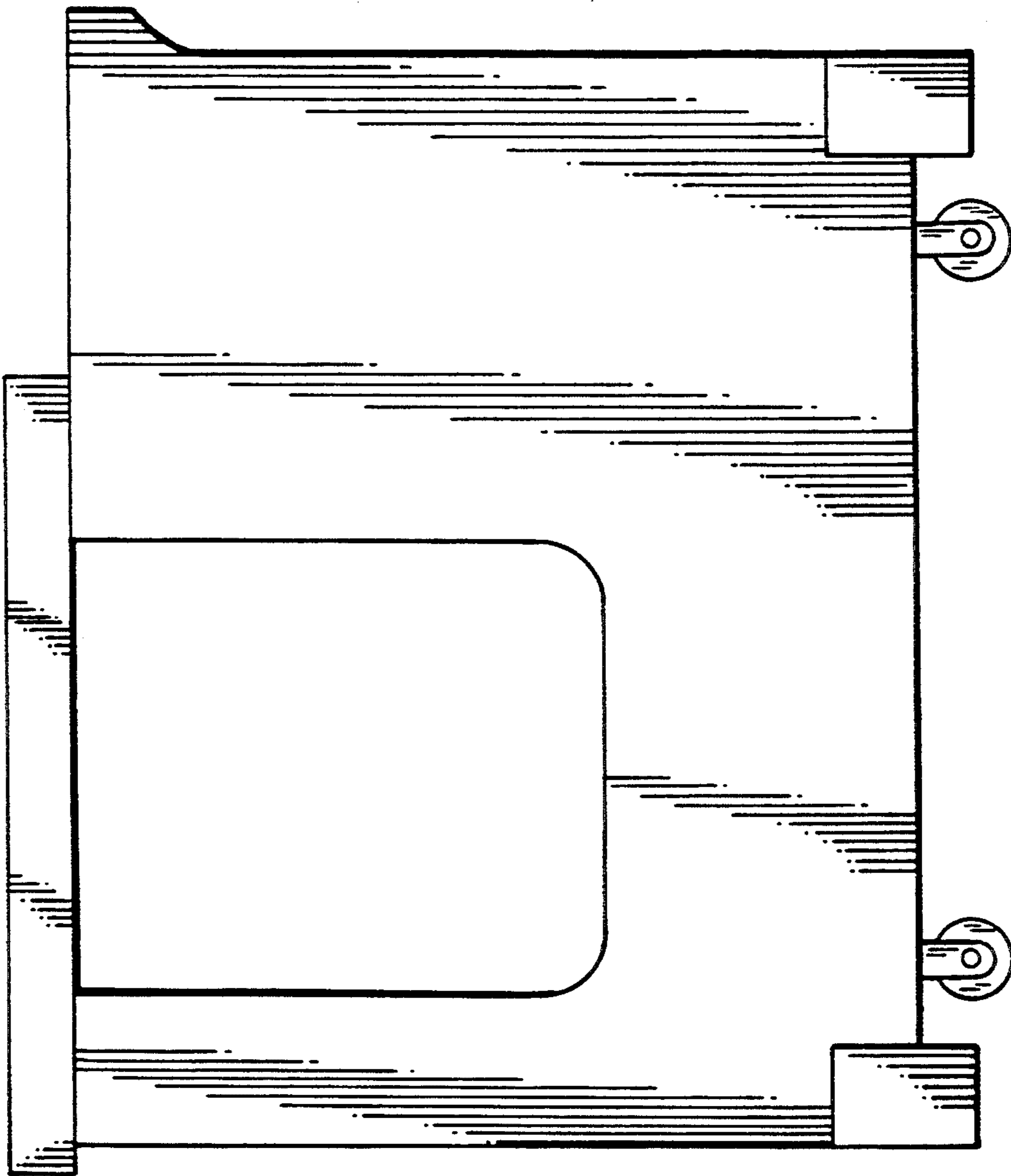


FIG. 4

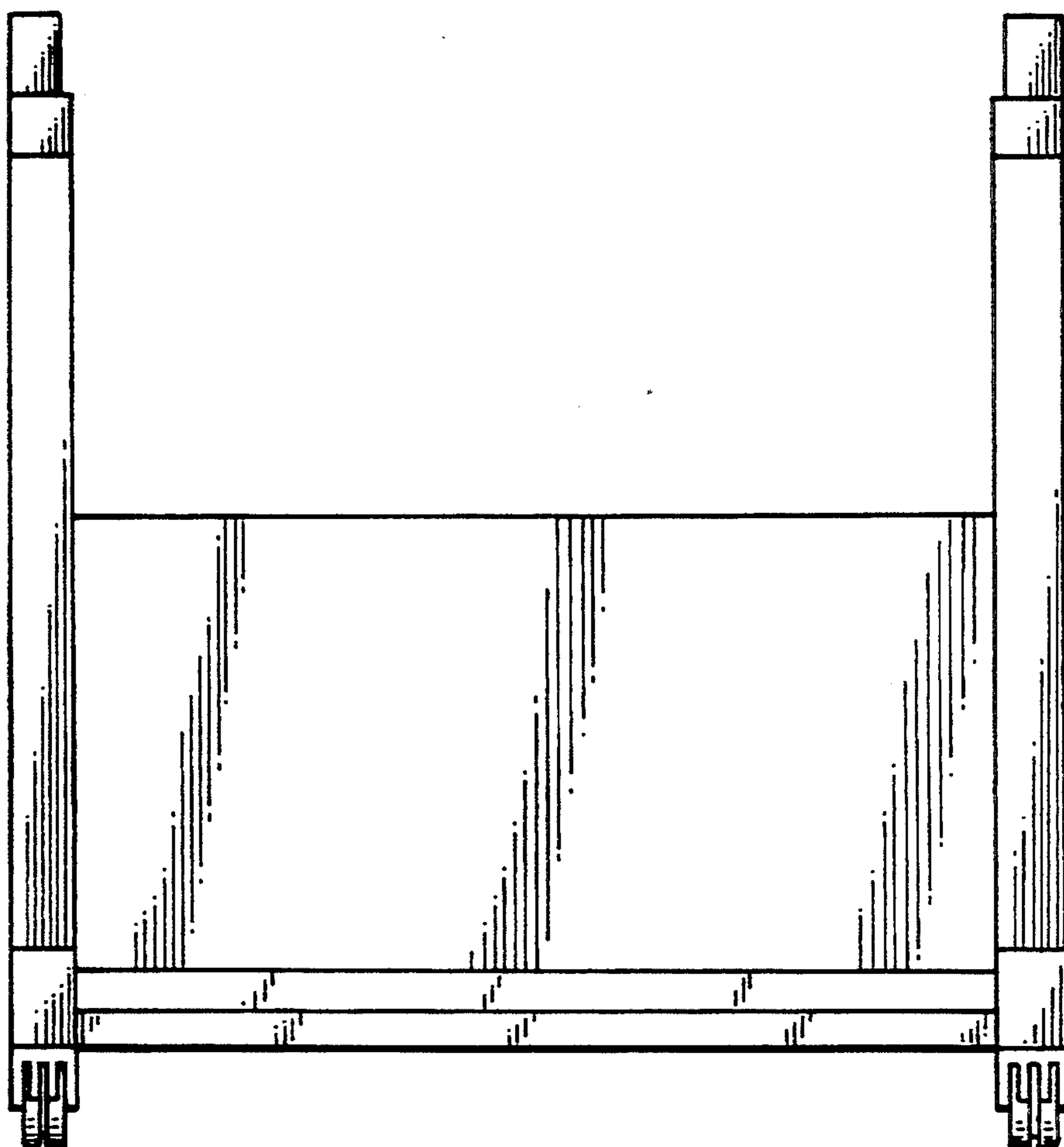


FIG. 5

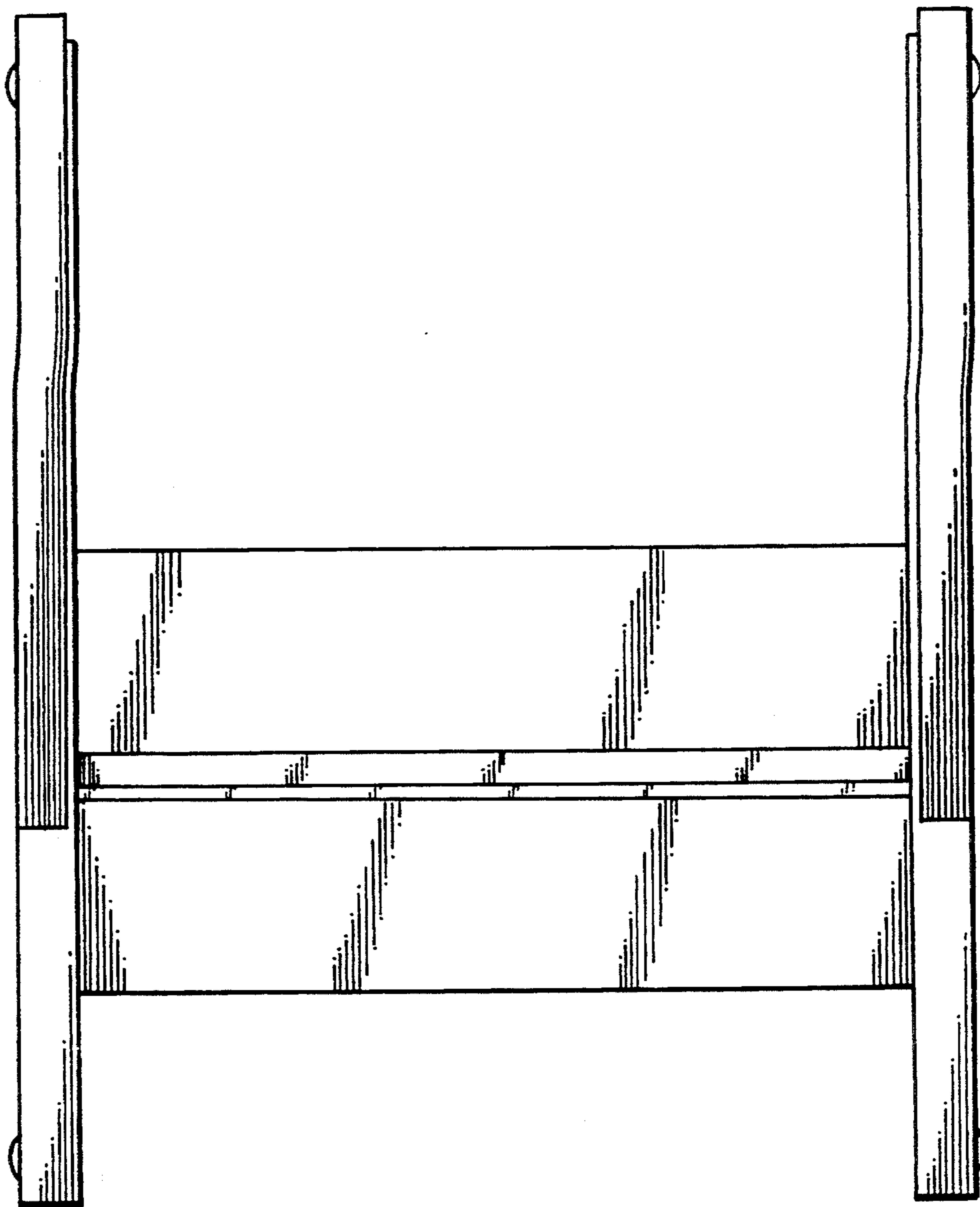


FIG. 6

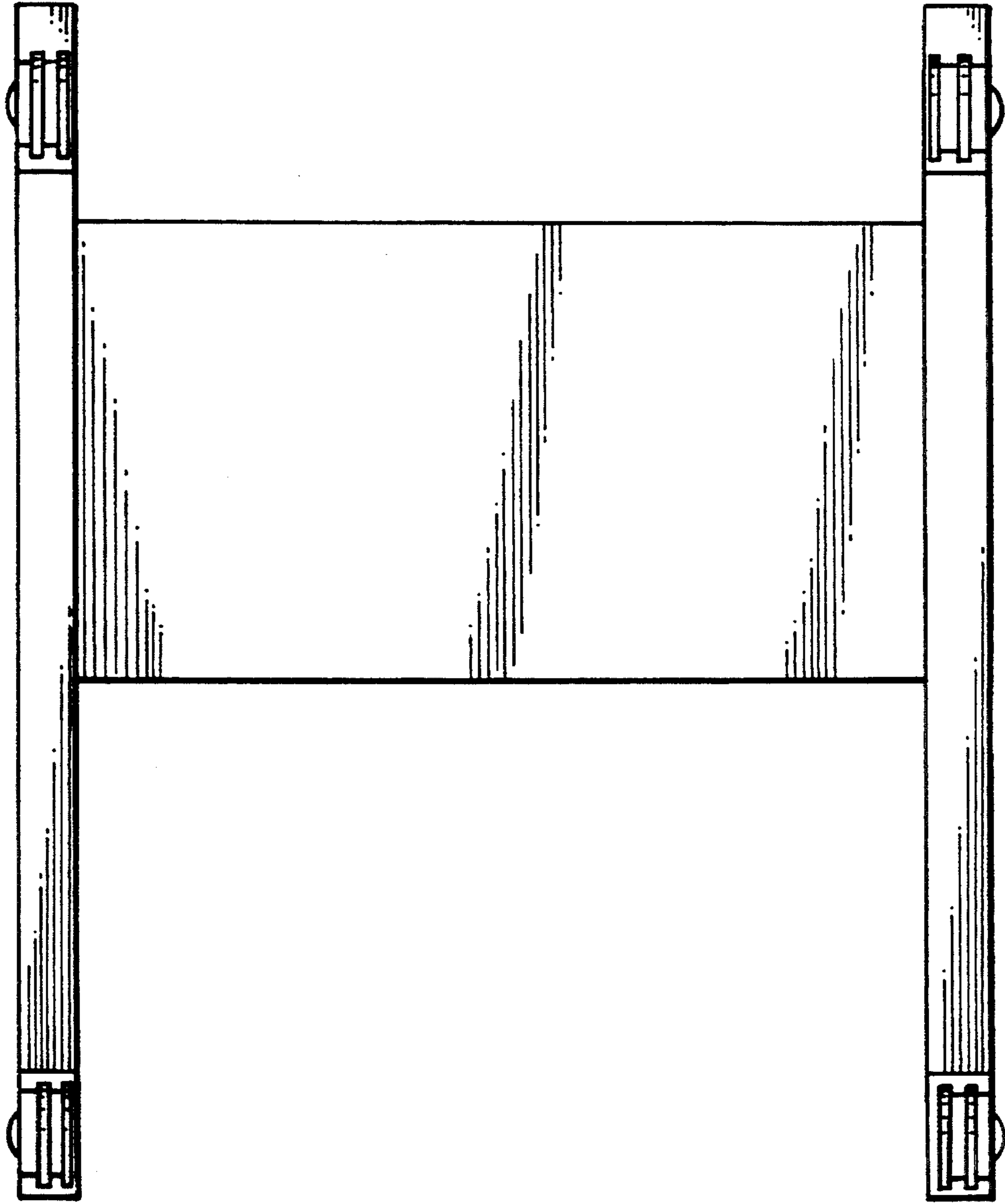


FIG. 7