



US00D357923S

# United States Patent [19]

[11] Patent Number: **Des. 357,923**

Peterson et al.

[45] Date of Patent: **\*\* May 2, 1995**

[54] MOUNTING STRUCTURE FOR A PUMP

[75] Inventors: **Kenneth A. Peterson**, Walnut; **Nils J. Gerber**, Fountain Valley, both of Calif.; **Robert W. Matthes**, Washington Crossing, Pa.

[73] Assignee: **Shurflo Pump Manufacturing Company**, Santa Ana, Calif.

[\*\*] Term: **14 Years**

[21] Appl. No.: **17,341**

[22] Filed: **Jan. 11, 1994**

[52] U.S. Cl. .... **D15/9.1**

[58] Field of Search ..... **D15/1-9.2;**  
417/360-363, 424; 310/89; D8/373

[56] **References Cited**

**U.S. PATENT DOCUMENTS**

D. 261,654 11/1981 Feuling ..... D15/5

D. 275,106 8/1984 Hart .  
D. 283,896 5/1986 Evans et al. .... D15/5  
D. 287,130 12/1986 Tilton, Jr. .... D15/5  
D. 331,240 11/1992 Winn ..... D15/9.1  
5,184,941 2/1993 King et al. .... 417/360

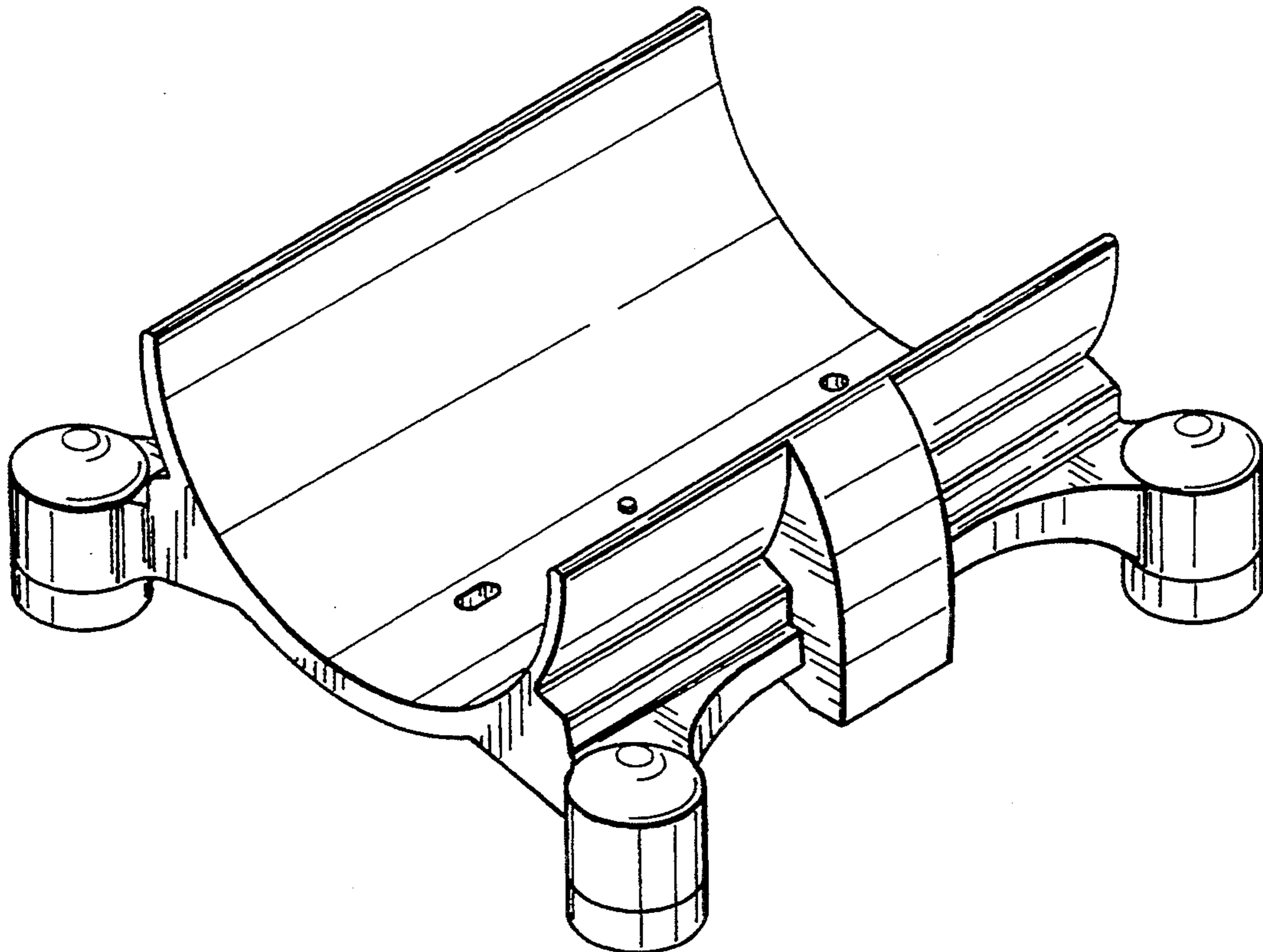
*Primary Examiner*—Ralf T. Seifert  
*Attorney, Agent, or Firm*—Gordon L. Peterson

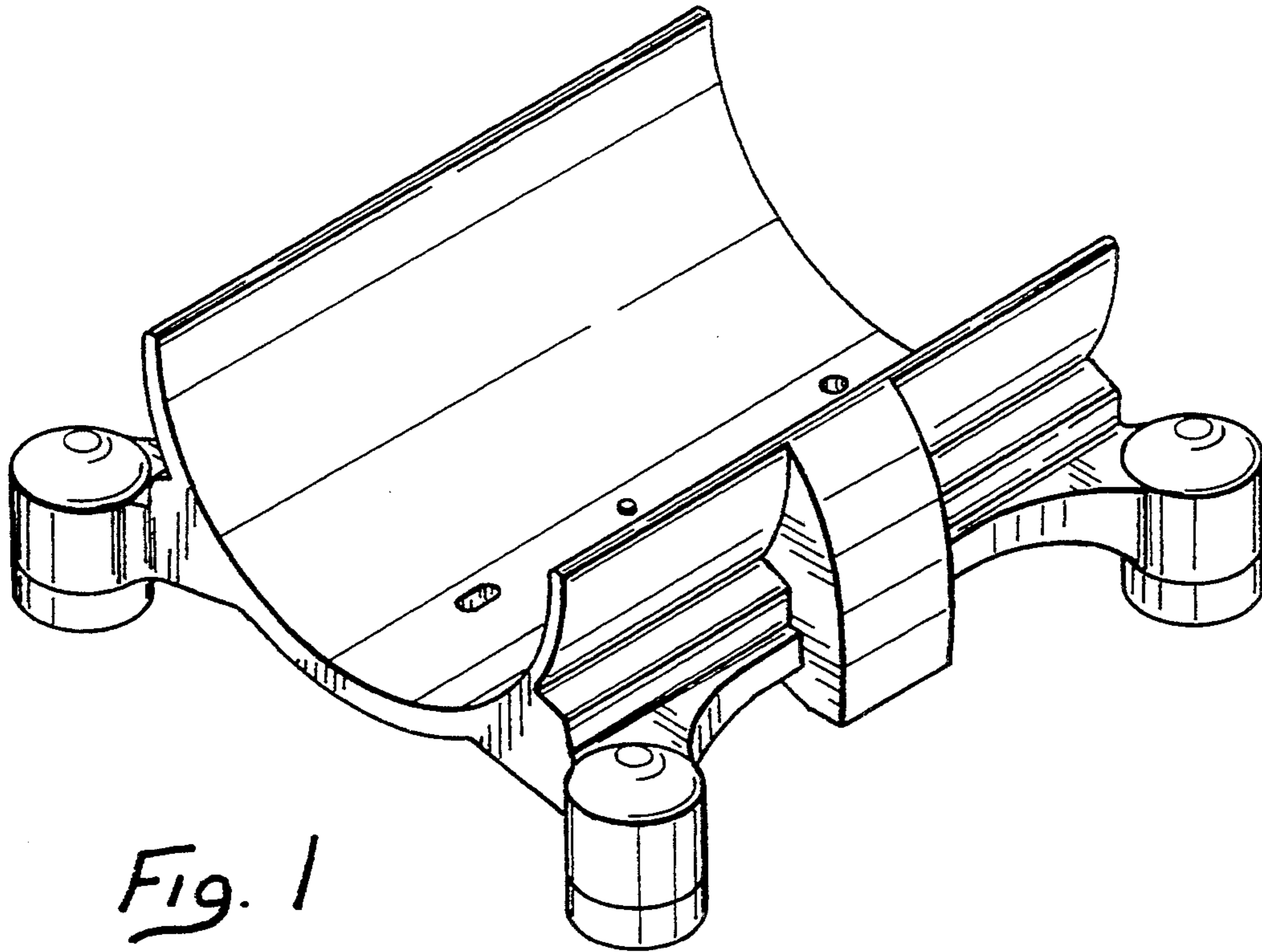
[57] **CLAIM**

The ornamental design for a mounting structure for a pump, as shown and described.

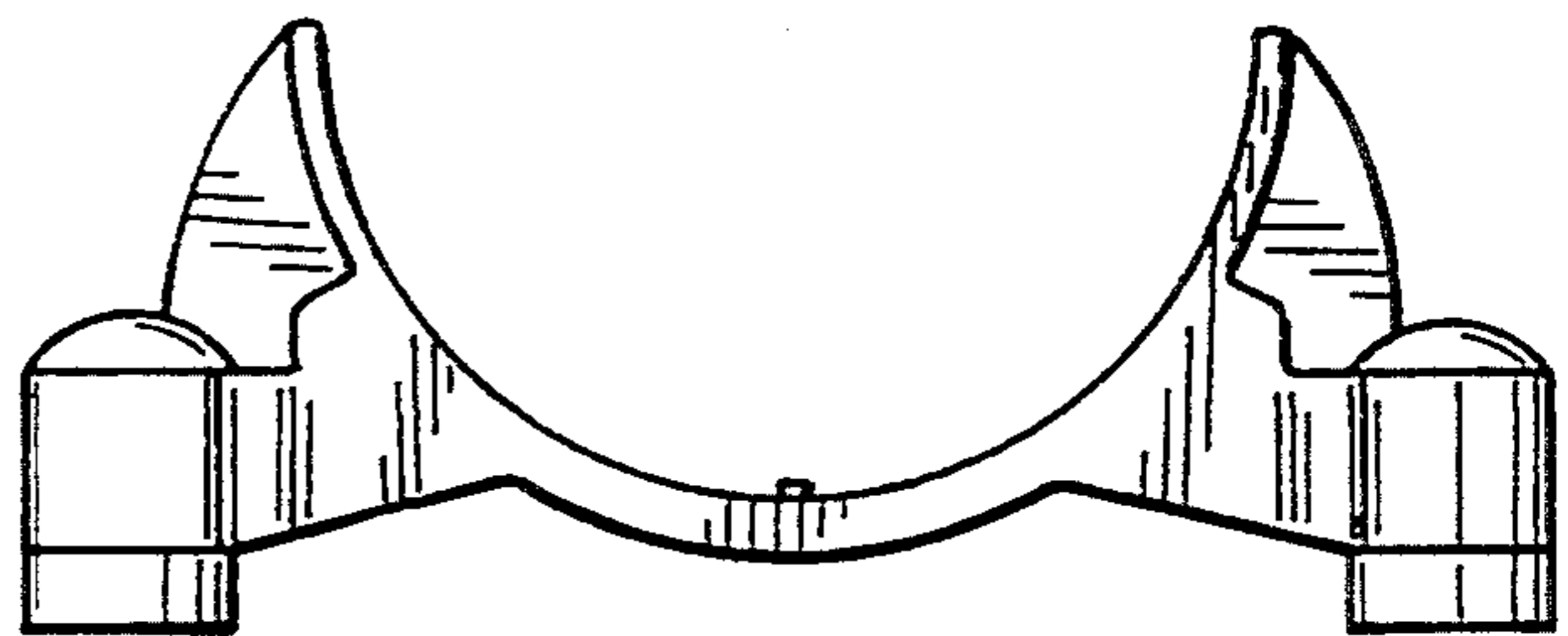
**DESCRIPTION**

FIG. 1 is a perspective view of a base plate for a pump embodying our new design;  
FIG. 2 is an end elevational view showing the end which is hidden in FIG. 1;  
FIG. 3 is a side elevational view showing the side which is hidden in FIG. 1;  
FIG. 4 is a bottom plan view; and,  
FIG. 5 is a top plan view.

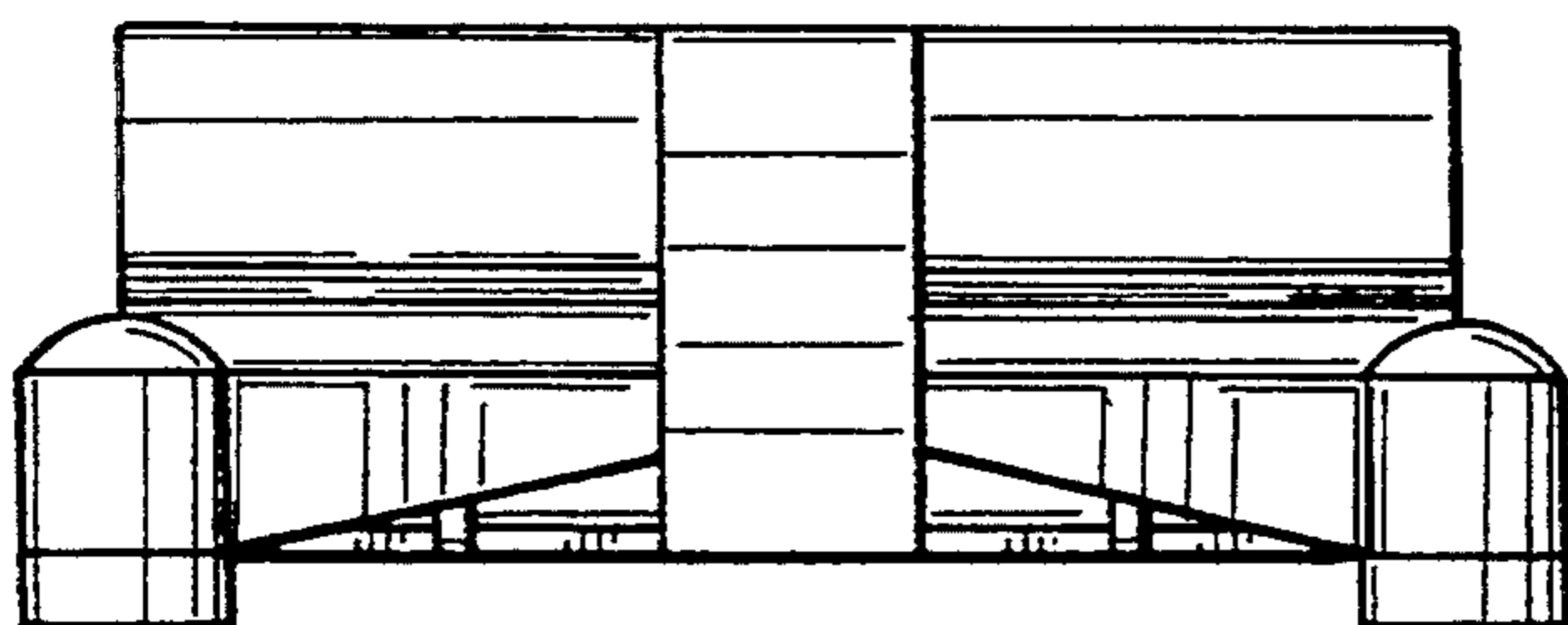




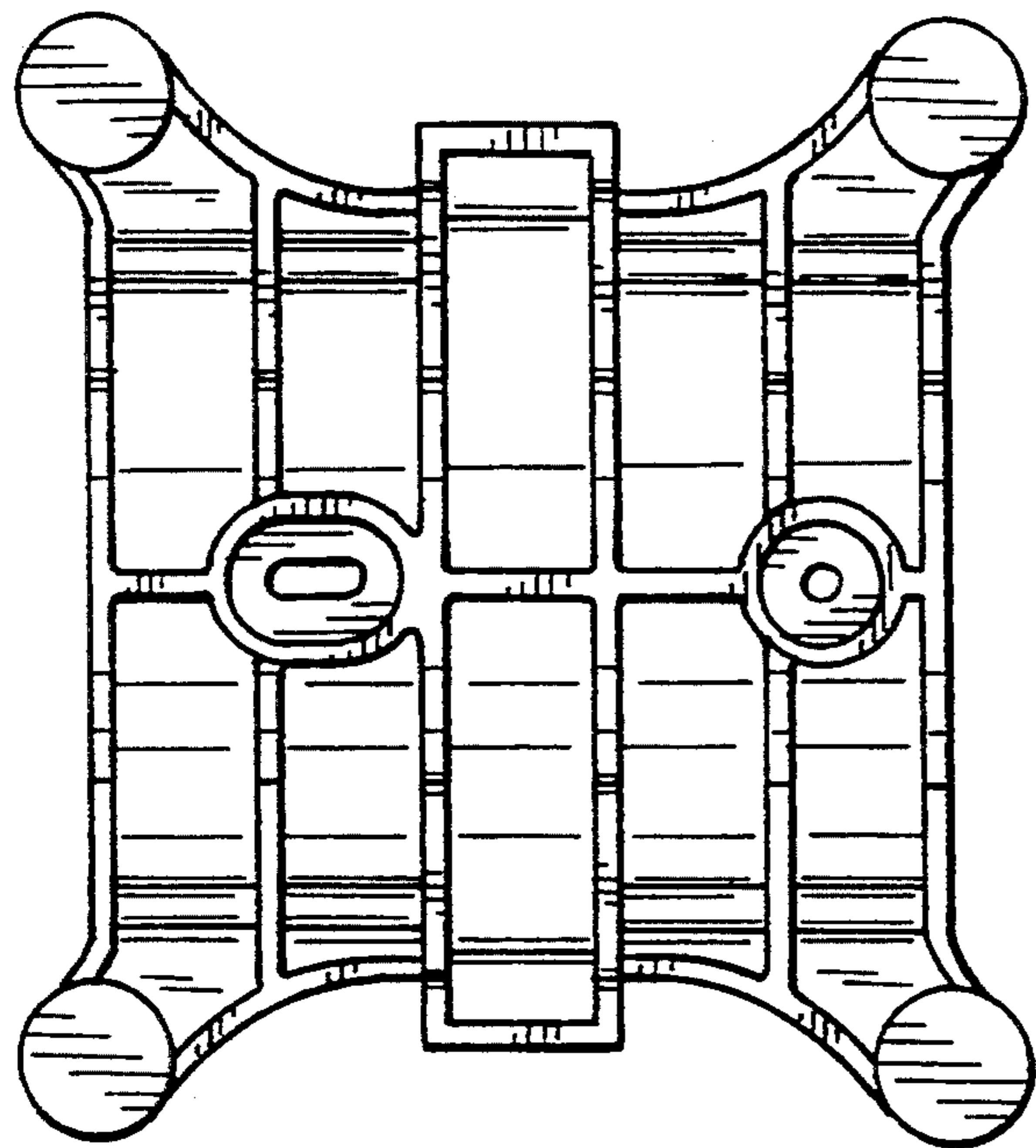
*Fig. 1*



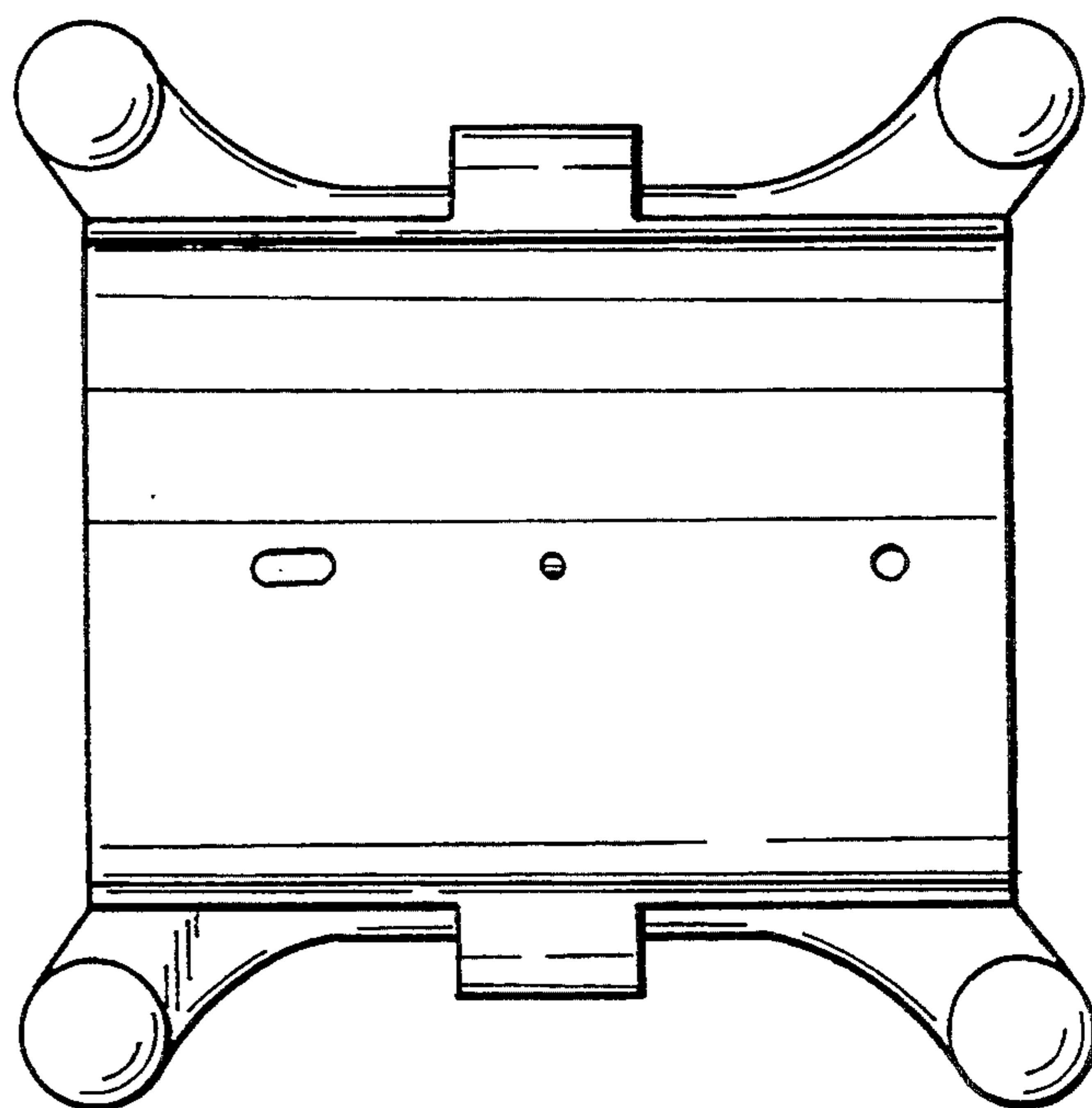
*Fig. 2*



*Fig. 3*



*Fig. 4*



*Fig. 5*