



US00D357922S

United States Patent [19]

[11] Patent Number: **Des. 357,922**

Nysether et al.

[45] Date of Patent: **** May 2, 1995**

[54] ANTENNA MOUNT

4,546,949 10/1985 Millett et al. 248/514

[75] Inventors: **Mark A. Nysether, Everett; John R. Brown, Rainier, both of Wash.**

OTHER PUBLICATIONS

“Banten Antenne Radio,” product catalog, publication date unknown.

[73] Assignee: **Sea-Dog Corporation, Everett, Wash.**

Primary Examiner—Terry A. Wallace
Attorney, Agent, or Firm—Christensen, O’Connor, Johnson & Kindness

[**] Term: **14 Years**

[21] Appl. No.: **6,496**

[57] CLAIM

[22] Filed: **Mar. 31, 1993**

The ornamental design for an antenna mount, as shown and described.

[52] U.S. Cl. **D14/238**

[58] Field of Search **D8/396; D14/230-238; 248/515, 535, 539, 230, 218.4; 343/713, 715, 880, 882**

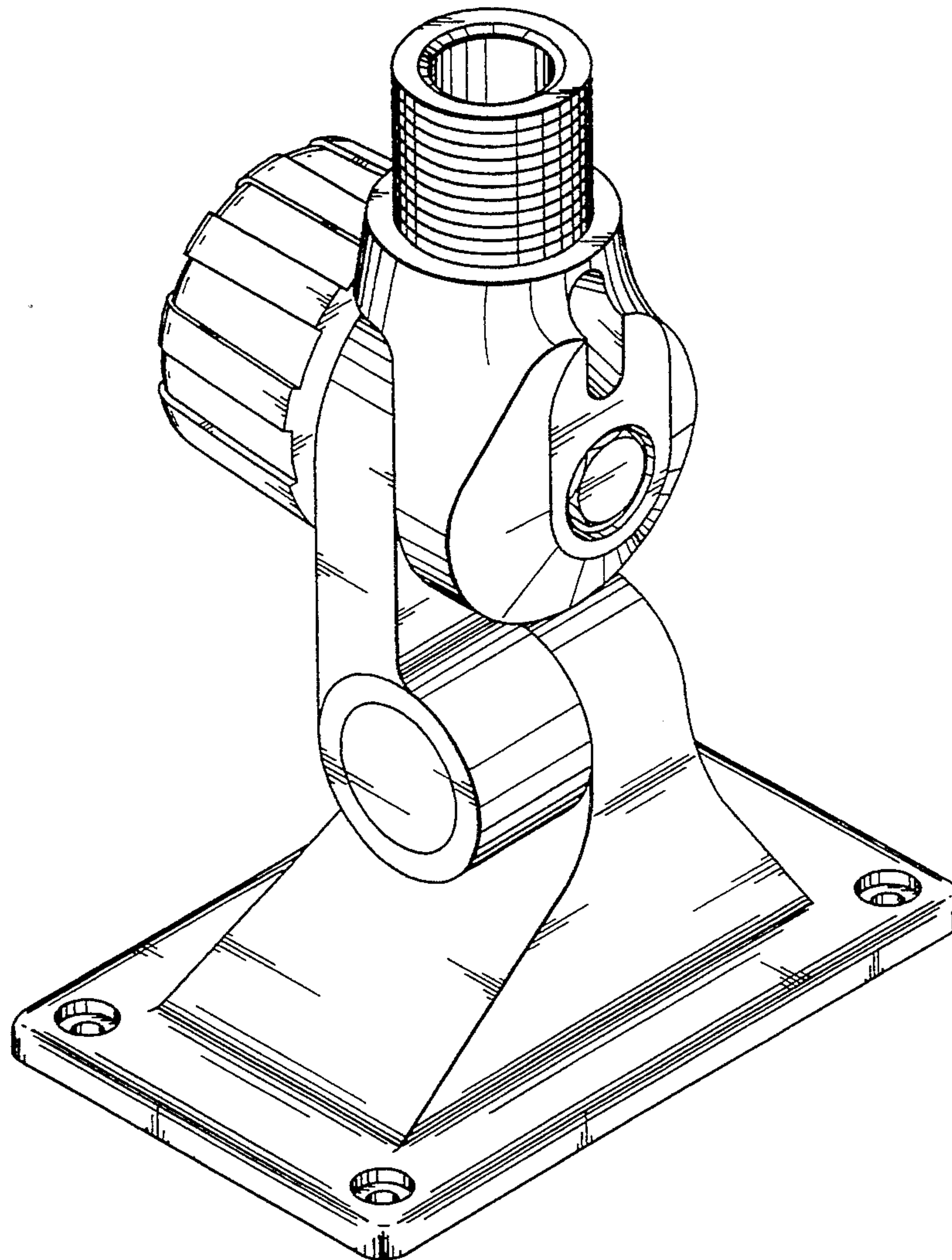
DESCRIPTION

[56] References Cited

U.S. PATENT DOCUMENTS

3,003,149	1/1961	Grashow	343/725
3,545,148	12/1970	Mandino	52/110
4,114,159	9/1978	Verini	343/715
4,161,735	7/1979	Zylla	343/713
4,209,788	6/1980	Plantier	343/713

FIG. 1 is a top rear perspective view of an antenna mount showing our new design; FIG. 2 is a front elevational view thereof; FIG. 3 is a rear elevational view thereof; FIG. 4 is a left side elevational view thereof; FIG. 5 is a right side elevational view thereof; FIG. 6 is a top plan view thereof; and, FIG. 7 is a bottom plan view.



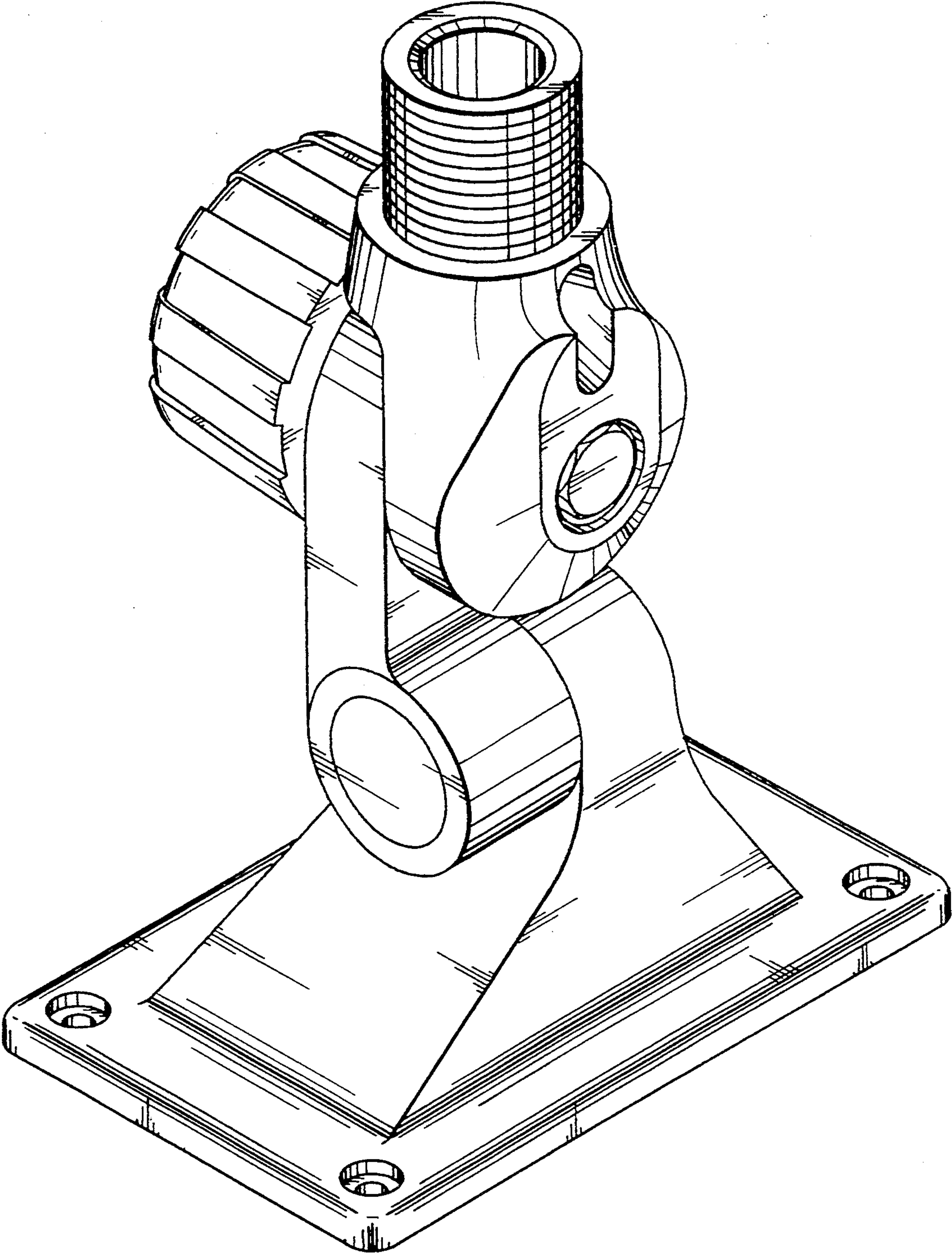


Fig. 1.

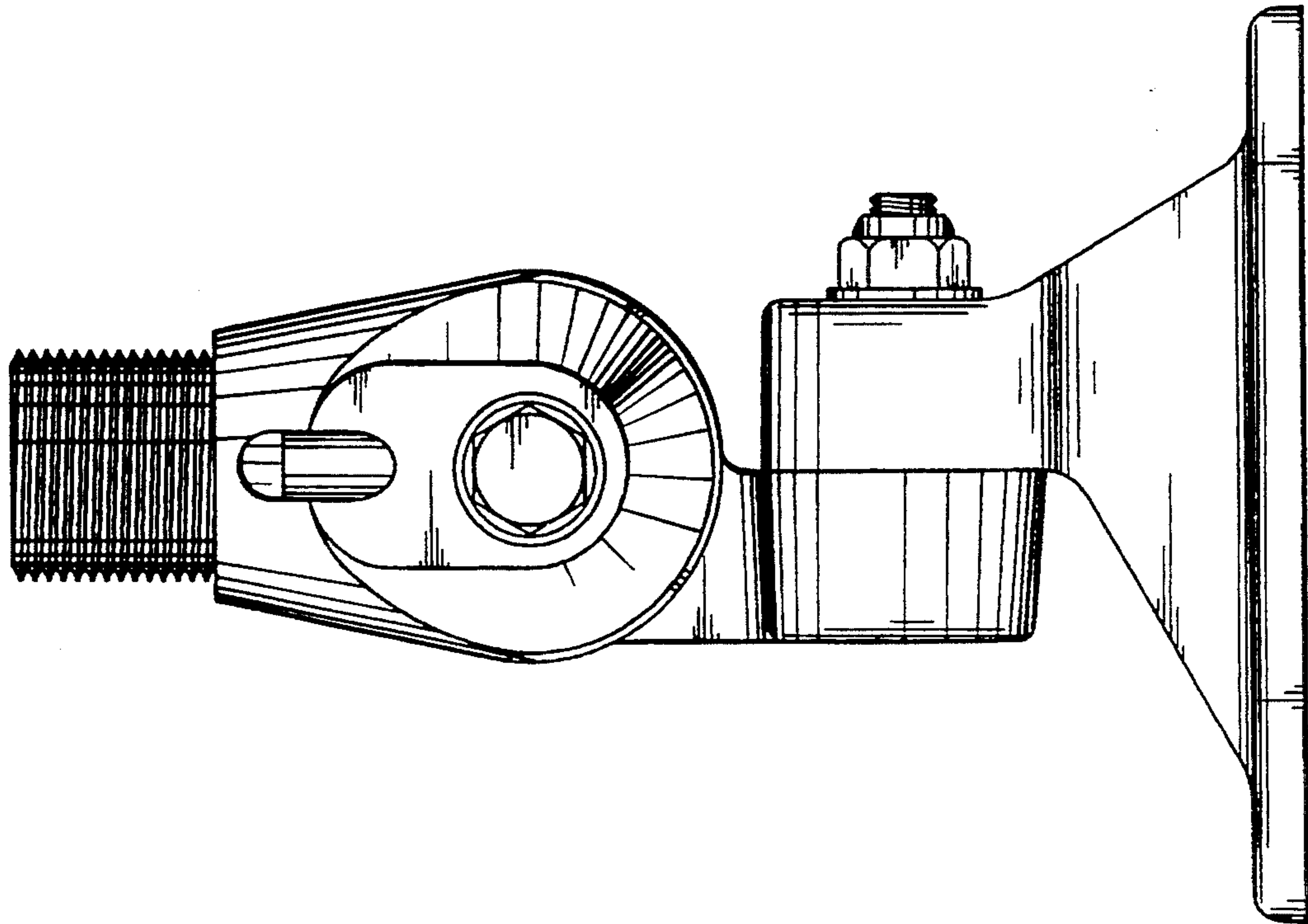


Fig. 3.

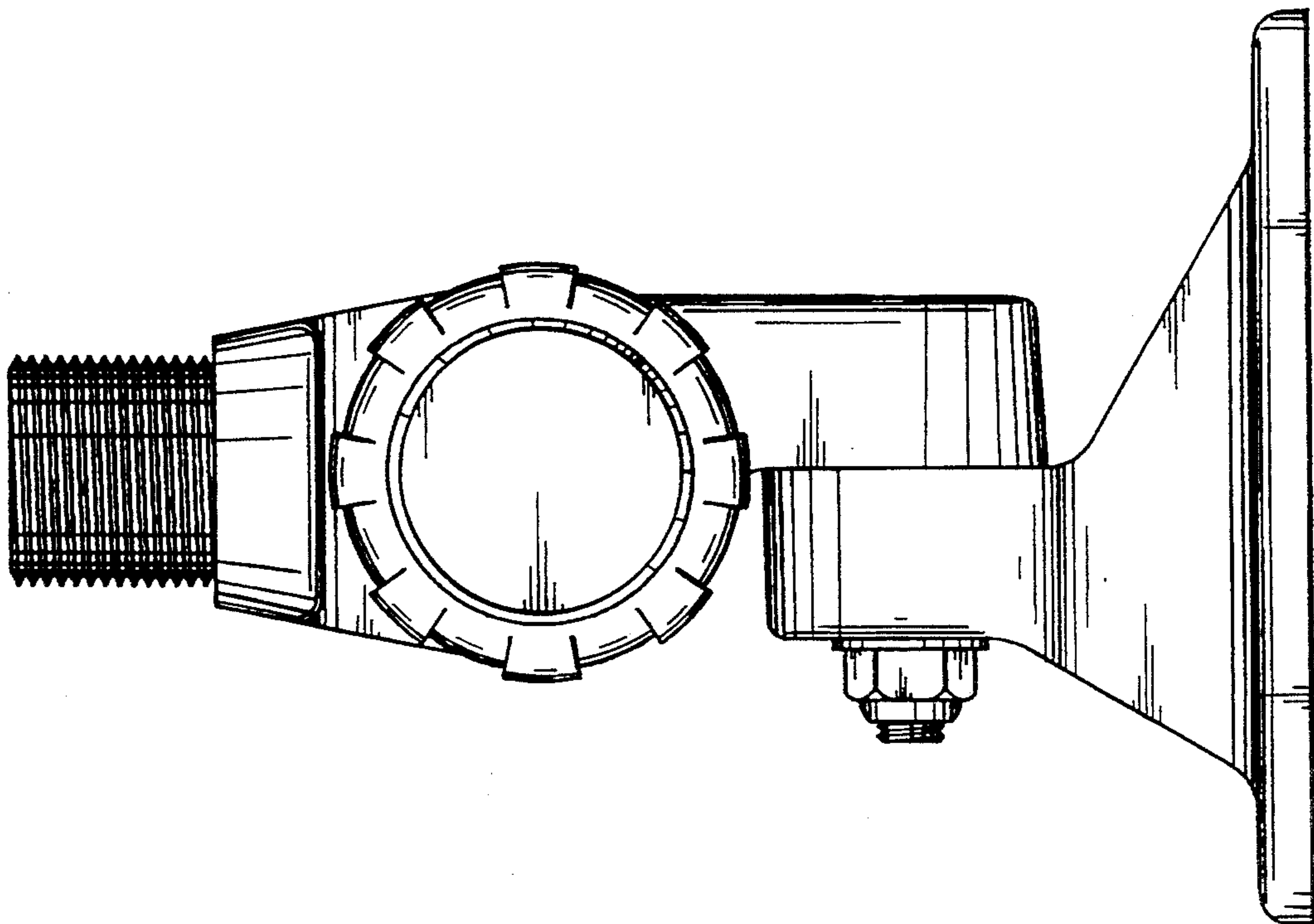


Fig. 2.

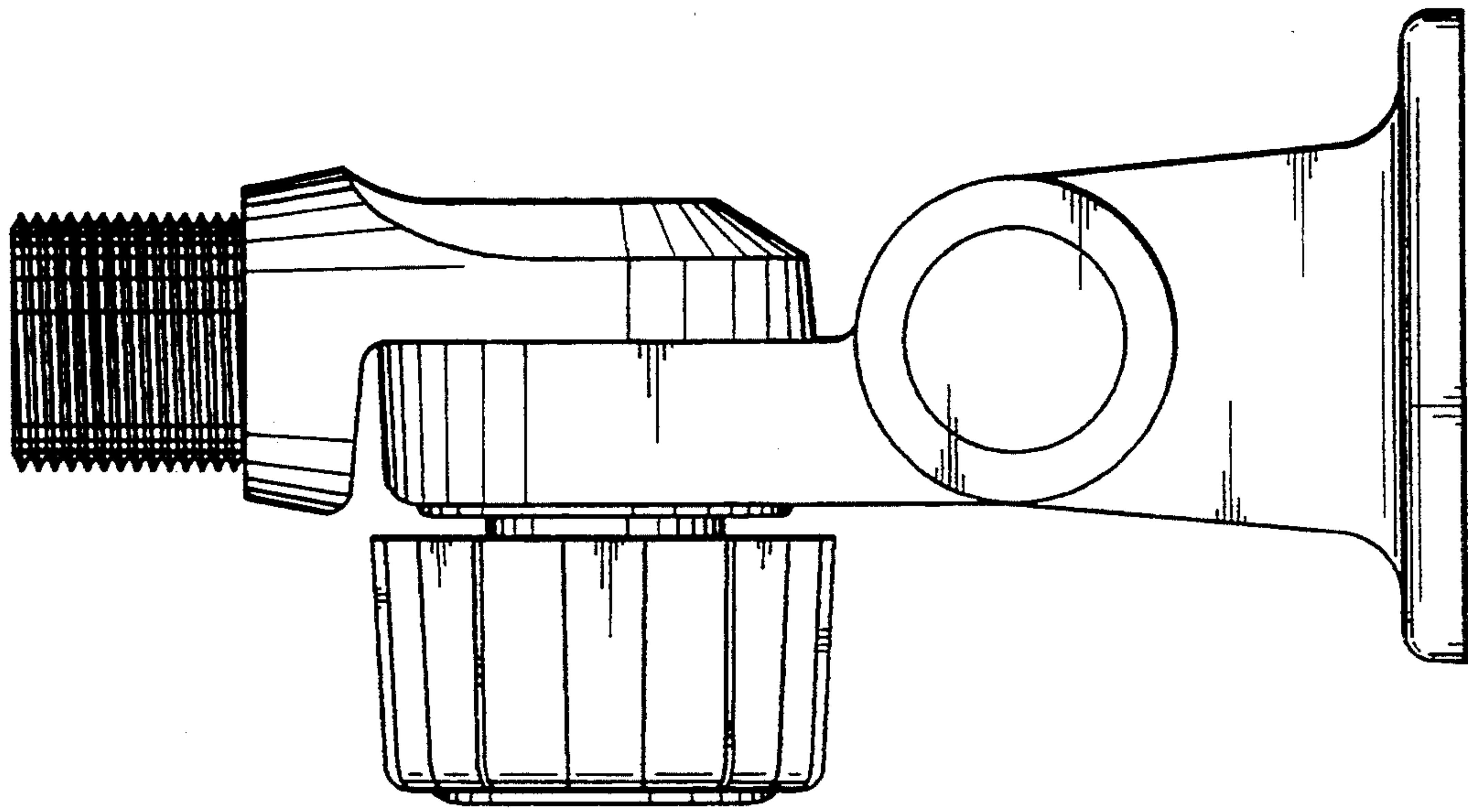


Fig. 5.

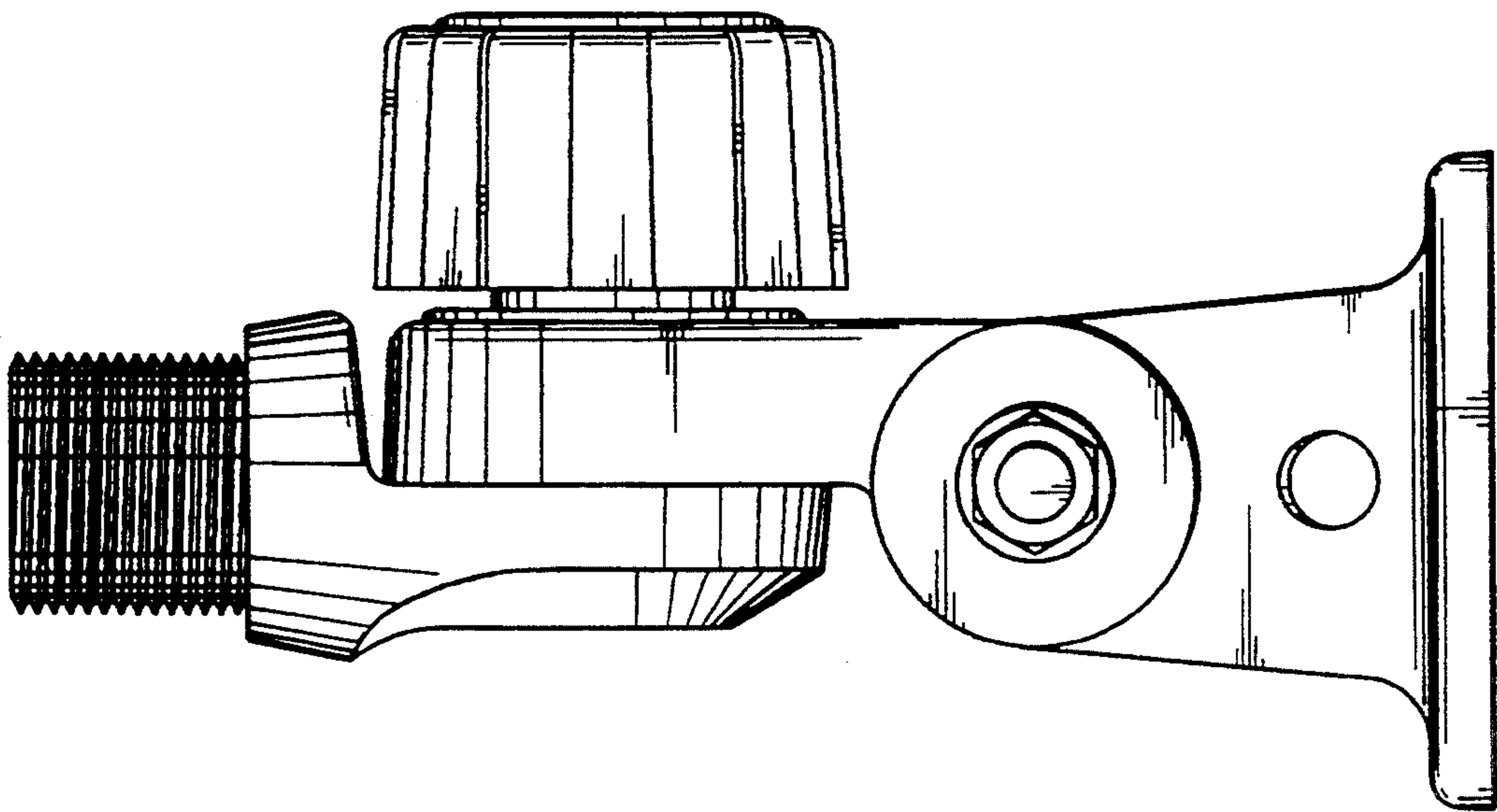


Fig. 4.

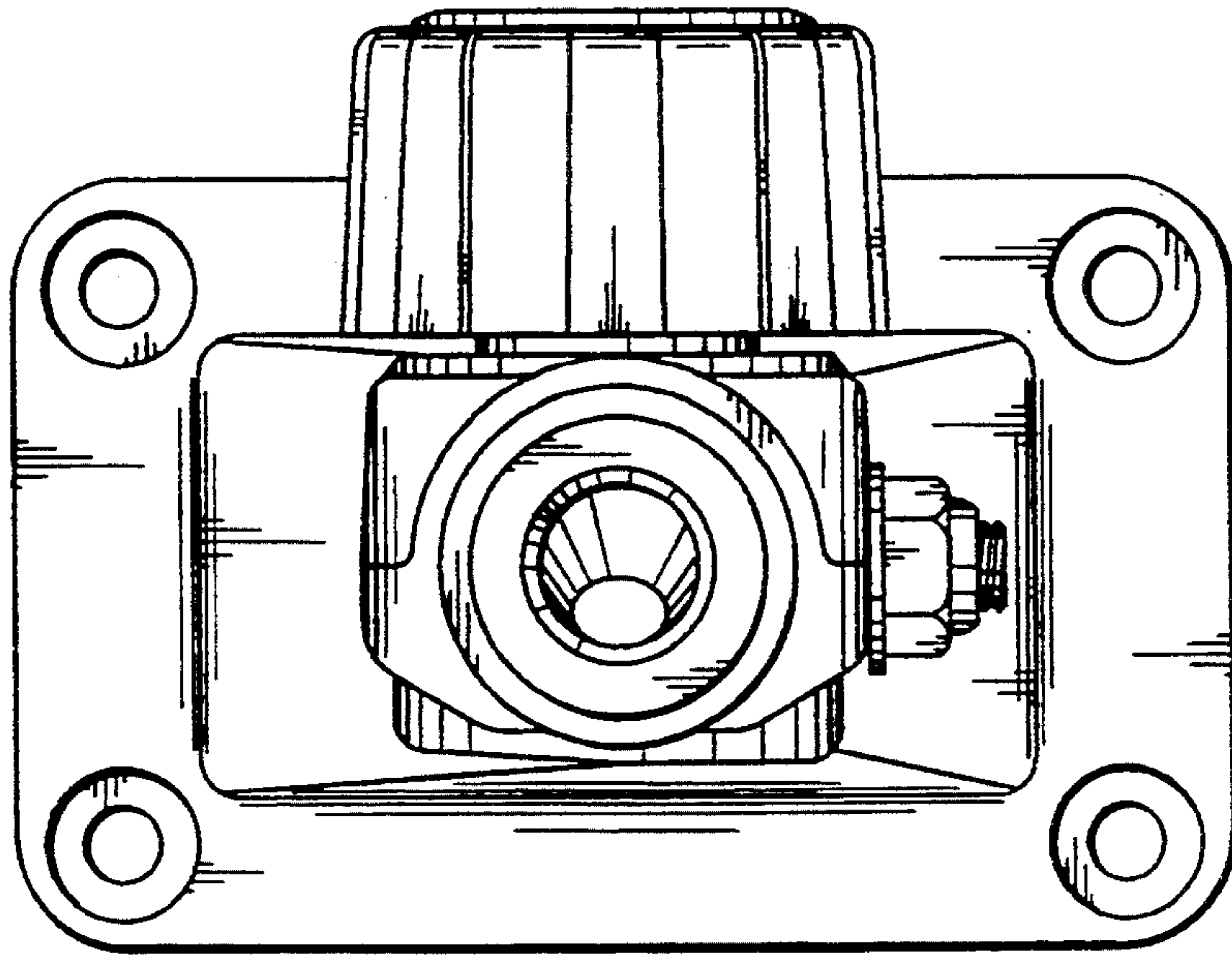


Fig. 6.

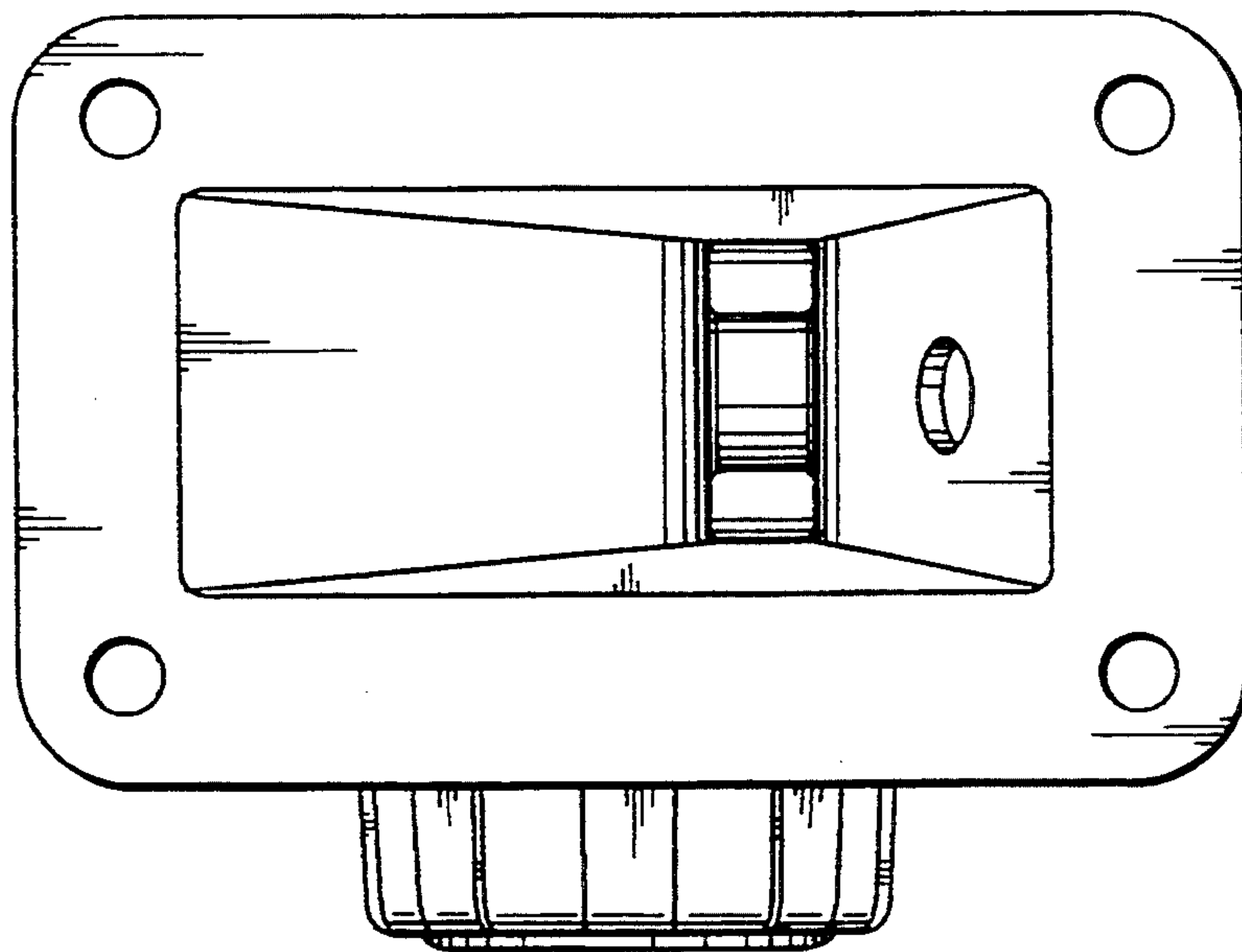


Fig. 7.