



US00D357918S

# United States Patent [19]

[11] Patent Number: **Des. 357,918**

Doria

[45] Date of Patent: **\*\* May 2, 1995**

[54] **PROTECTIVE RIM FOR REMOTE CONTROLS**

[75] Inventor: **Alessandro Doria, Milan, Italy**

[73] Assignee: **Daniels S.R.L., Milan, Italy**

[\*\*] Term: **14 Years**

[21] Appl. No.: **9,999**

[22] Filed: **Jun. 25, 1993**

[30] **Foreign Application Priority Data**

Dec. 28, 1992 [XH] Hague Agreement ..... DM/024772

[52] U.S. Cl. .... **D14/218; D3/218**

[58] Field of Search ..... D14/218, 124, 217, 299, D14/100; D13/168, 173; D18/6-7, 11; D10/106, 104; 455/151.1, 352-355; 348/734; D3/218, 226

[56] **References Cited**

**U.S. PATENT DOCUMENTS**

D. 284,454 7/1986 Gremonprez et al. .... D18/6 X

D. 308,347 6/1990 Bryenton et al. .... D10/106  
D. 337,435 7/1993 Kaneko et al. .... D3/218  
4,220,992 9/1980 Blood et al. .... D18/7 X  
4,768,230 8/1988 Viebrantz et al. .... D13/168 X  
5,305,980 4/1994 LeBlanc ..... D13/173 X

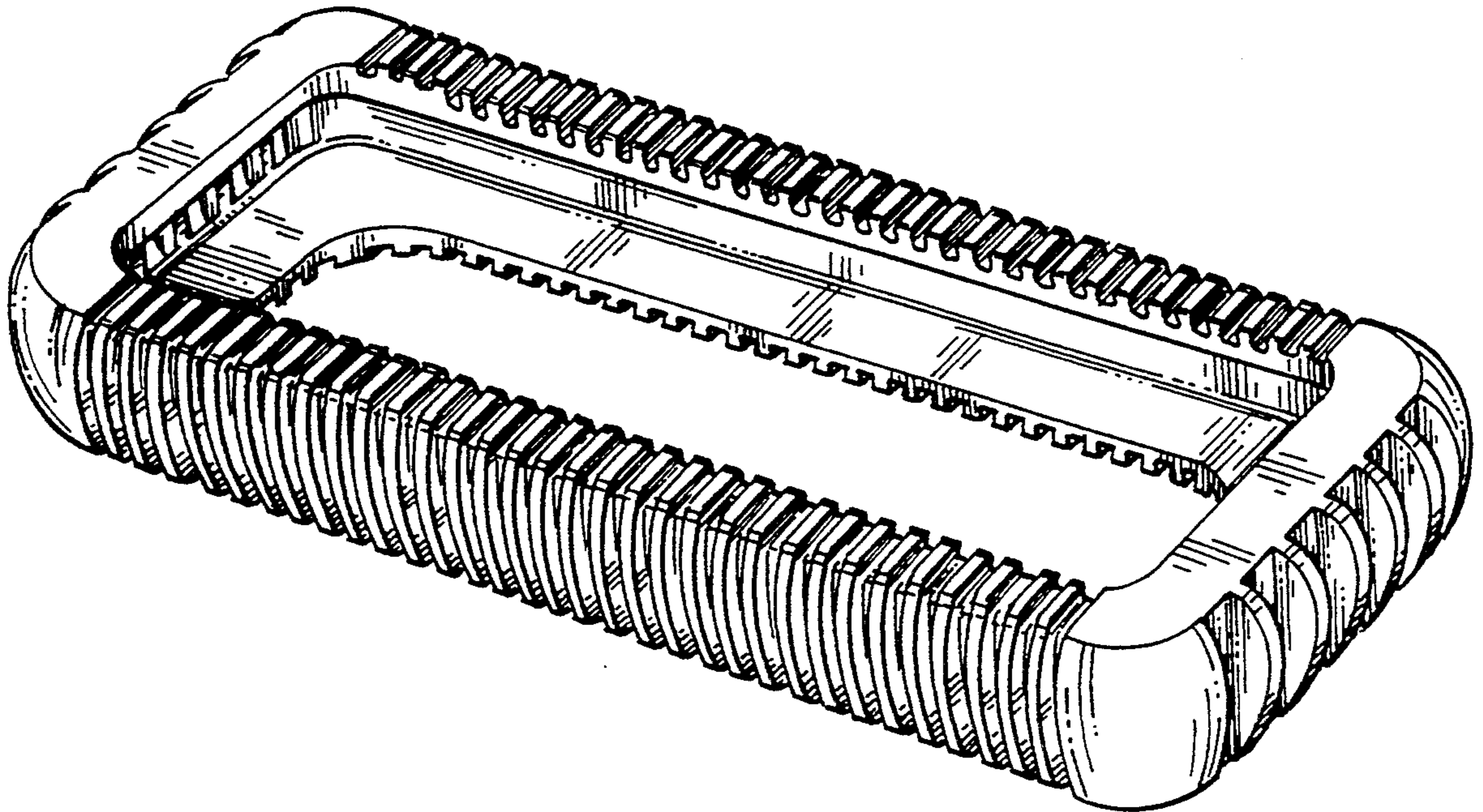
*Primary Examiner*—Theodore M. Shooman  
*Assistant Examiner*—Cheri Cohen  
*Attorney, Agent, or Firm*—Juettner Pyle Lloyd & Piontek

[57] **CLAIM**

The ornamental design for protective rim for remote controls, as shown.

**DESCRIPTION**

FIG. 1 is a perspective view showing my new design; FIG. 2 is a top plan view thereof; FIG. 3 is a side elevation view thereof, the opposite side being a mirror image; FIG. 4 is a bottom view thereof; and, FIG. 5 is an end elevation view thereof, the opposite end being a mirror image.



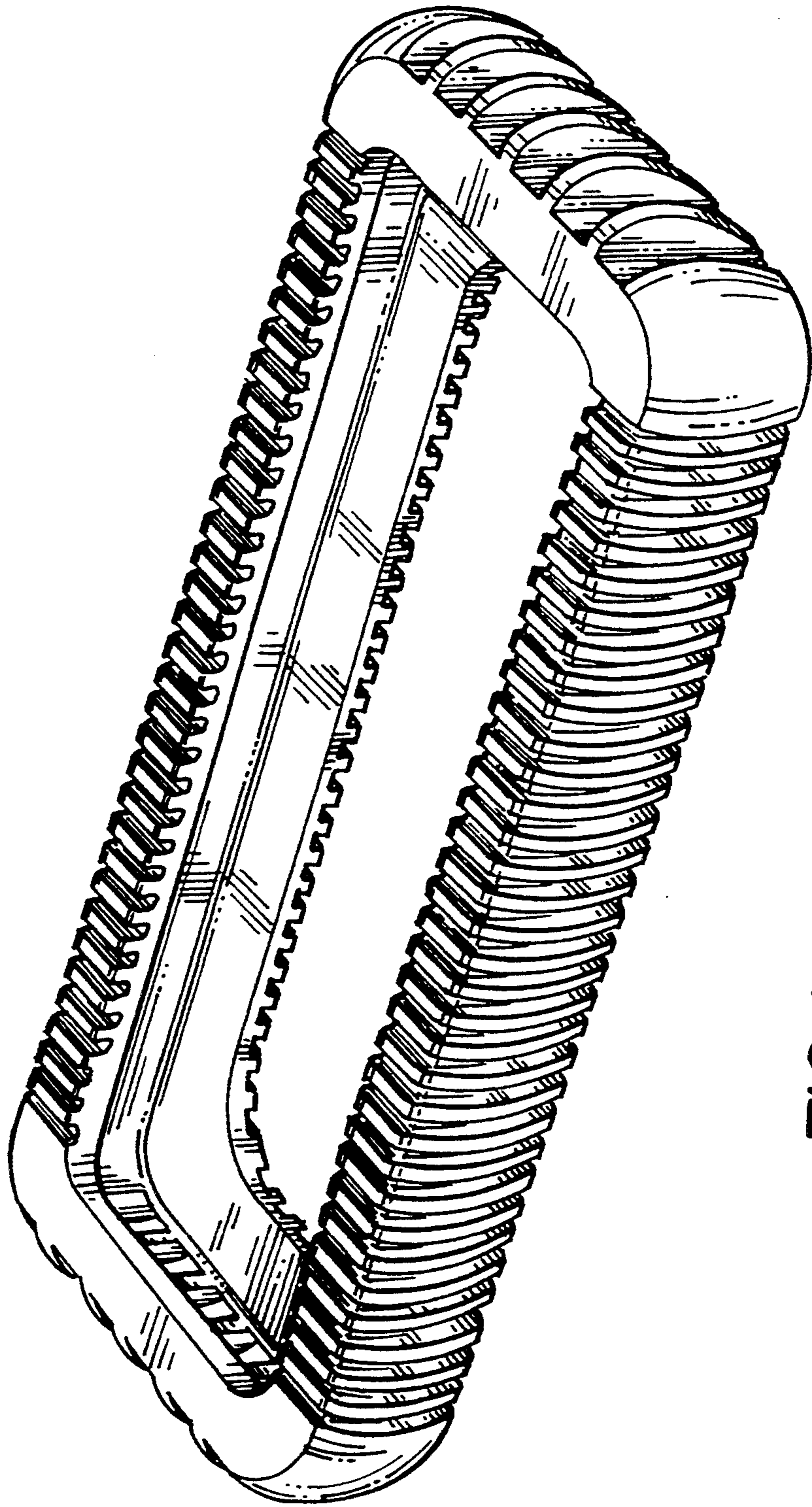


FIG.1

FIG. 2

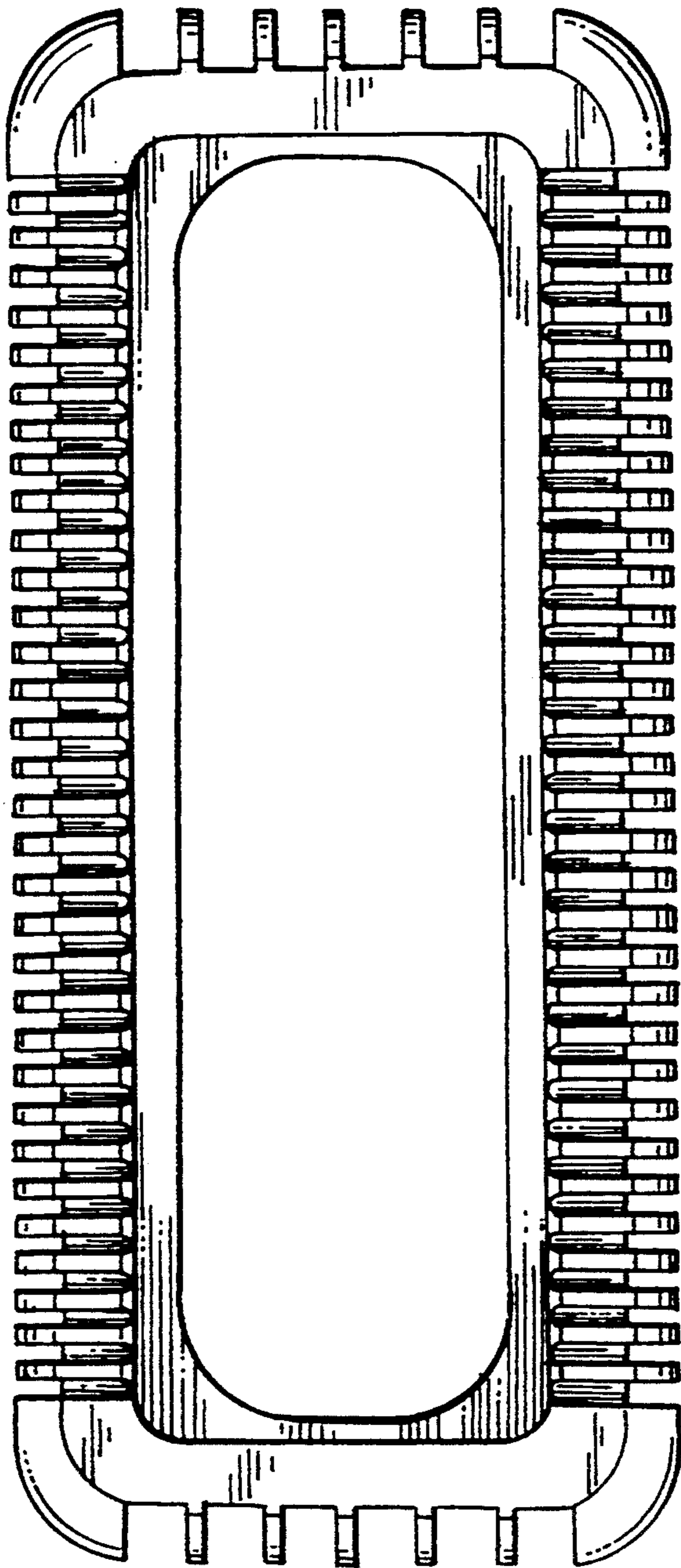
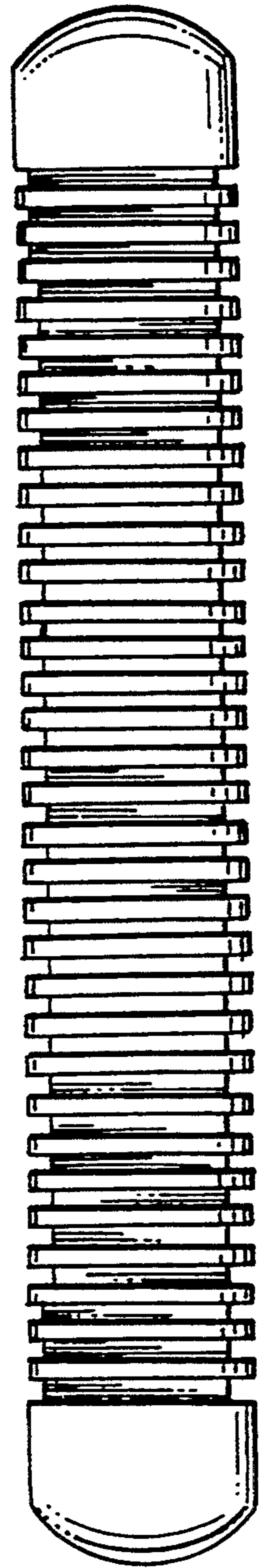


FIG. 3



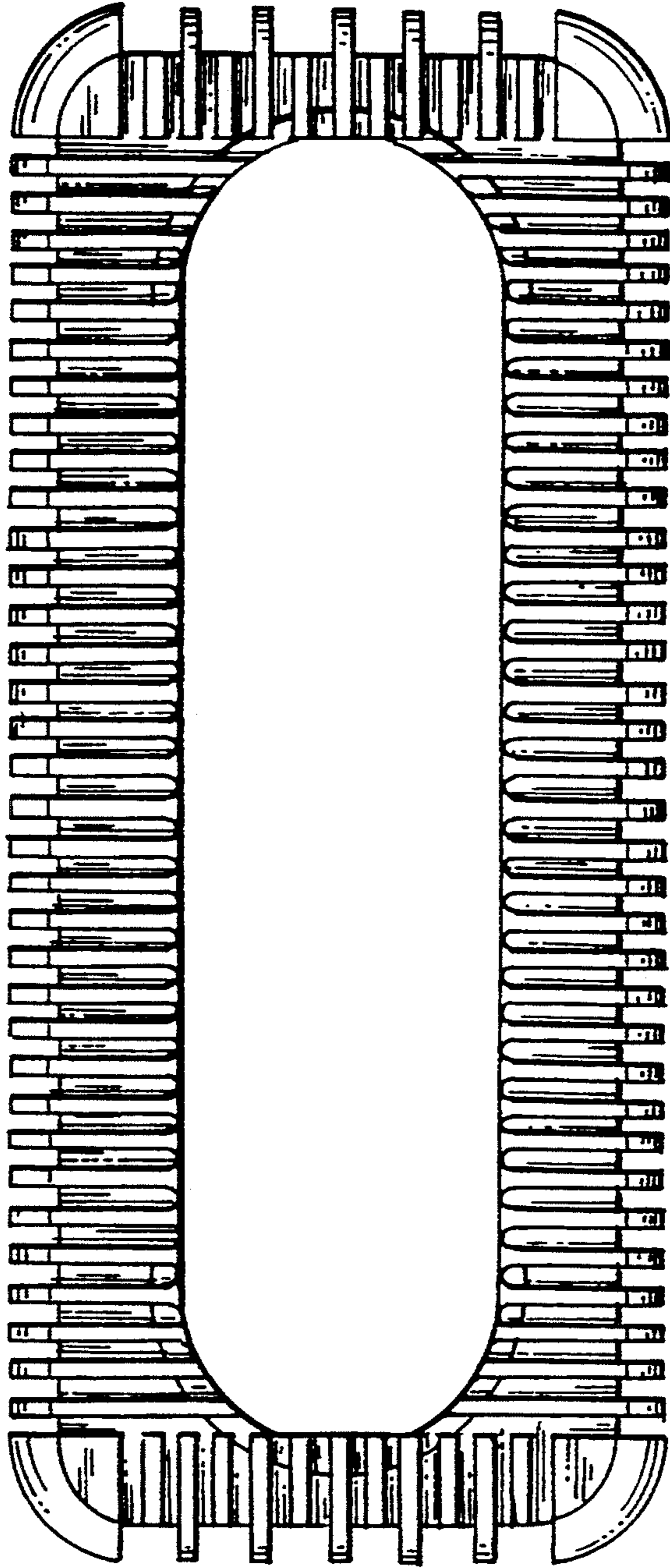


FIG. 4

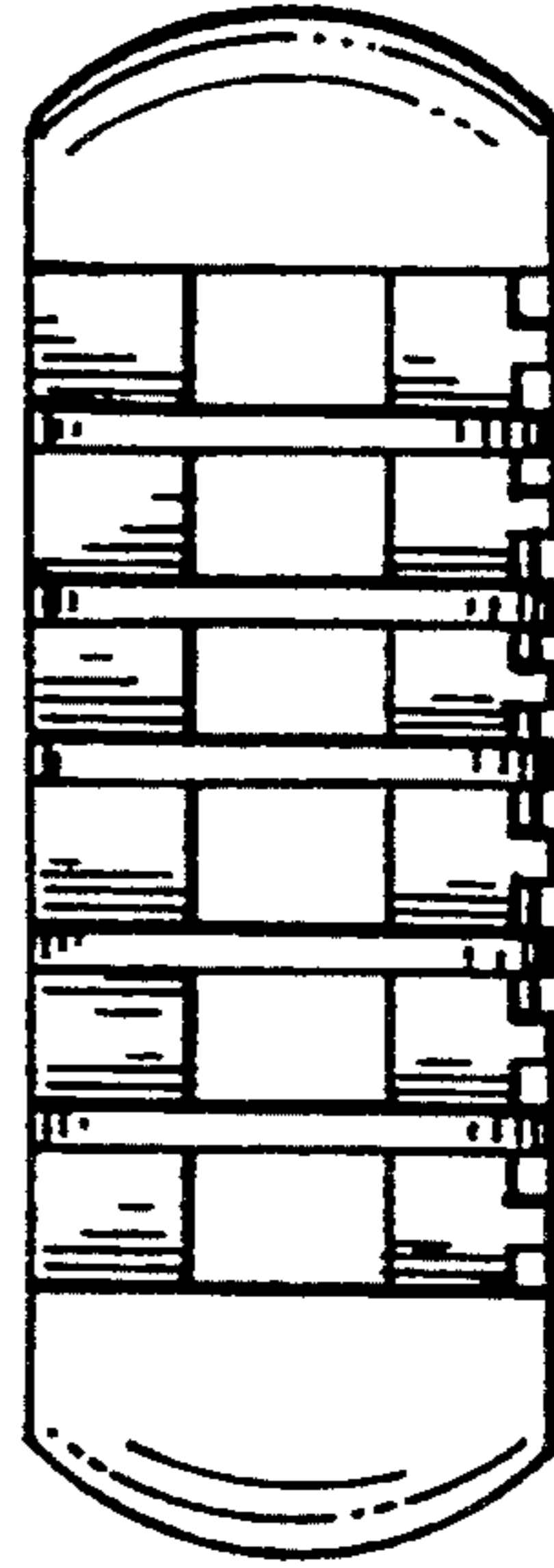


FIG. 5