



US00D357913S

United States Patent [19]

[11] Patent Number: **Des. 357,913**

Kunis

[45] Date of Patent: **** May 2, 1995**

[54] **TELEPHONE KIOSK**

D. 336,175 6/1993 Van Pinkerton, Jr. D6/421
D. 337,900 8/1993 Van Pinkerton, Jr. D6/421

[76] Inventor: **Naum Kunis**, 1532 Glen Hollow La.,
Dunedin, Fla. 34698

Primary Examiner—Carmen H. Vales-Lado
Attorney, Agent, or Firm—Joseph C. Mason, Jr.; Ronald
E. Smith

[**] Term: **14 Years**

[21] Appl. No.: **1,355**

[57] **CLAIM**

The ornamental design for a telephone kiosk, as shown.

[22] Filed: **Nov. 12, 1992**

[52] U.S. Cl. **D14/146; D6/421**

DESCRIPTION

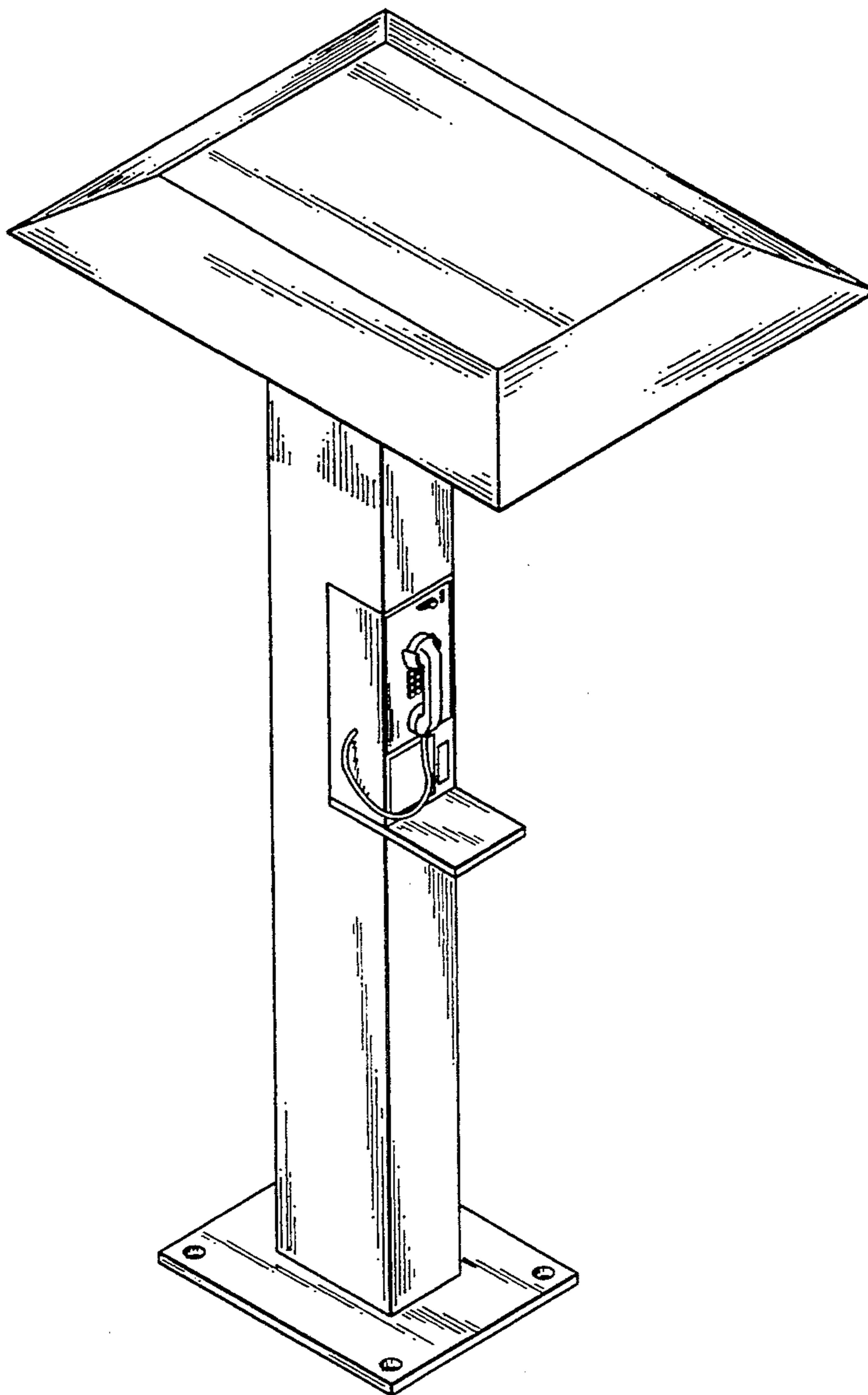
[58] Field of Search **D6/421; D25/421;**
D14/146; 52/27, 27.5, 28, 79.1, 79.4; 379/143,
146, 155, 419, 428, 440

FIG. 1 is a perspective view of my new ornamental design for a telephone kiosk;
FIG. 2 is a front elevational view thereof;
FIG. 3 is a rear elevational view thereof;
FIG. 4 is a left side elevational view thereof;
FIG. 5 is a right side elevational view thereof;
FIG. 6 is a top plan view thereof; and,
FIG. 7 is a bottom plan view thereof.

[56] **References Cited**

U.S. PATENT DOCUMENTS

D. 288,441 2/1987 Lalonde D14/146
D. 331,333 12/1992 Cameron D6/421



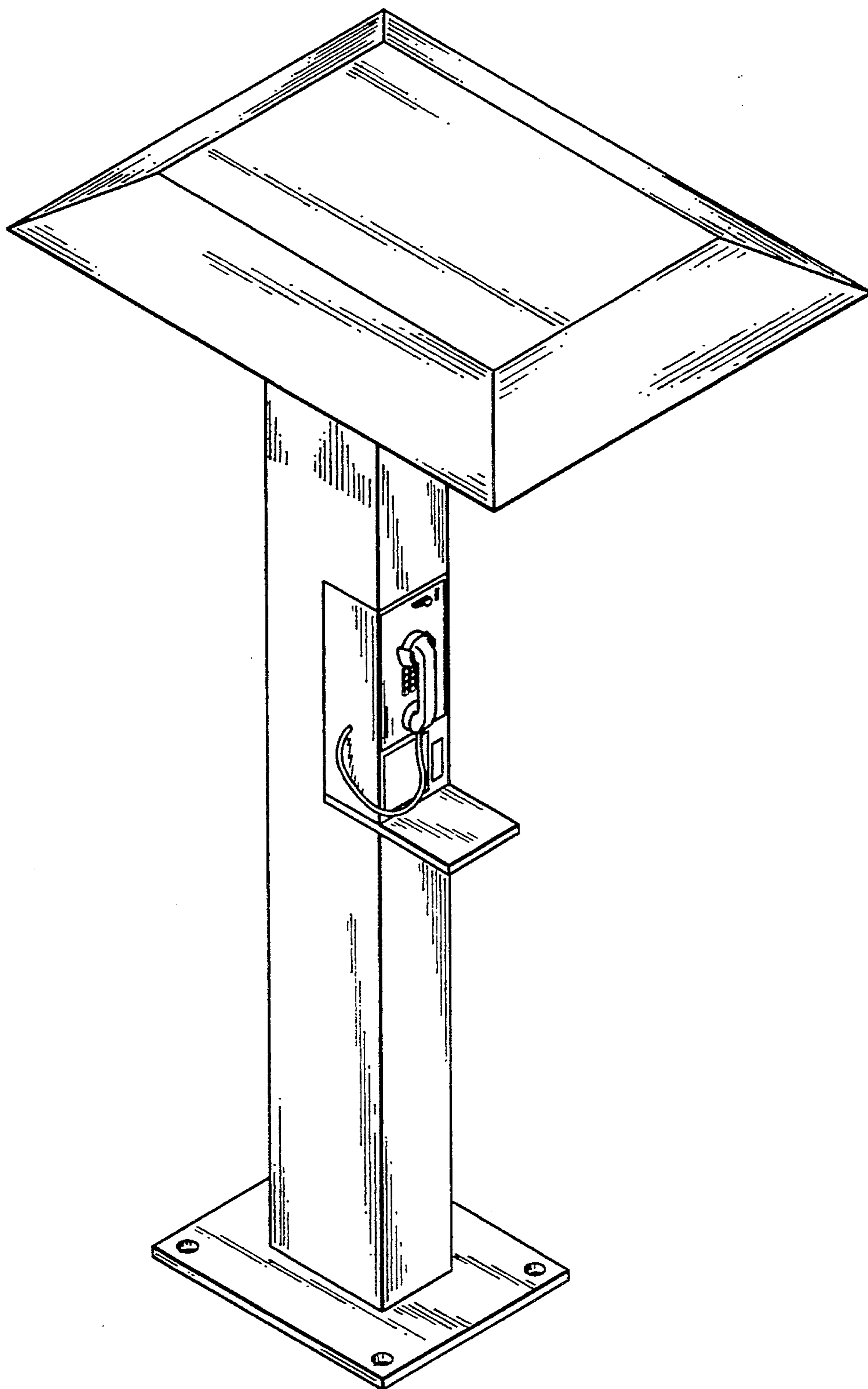


Fig. 1

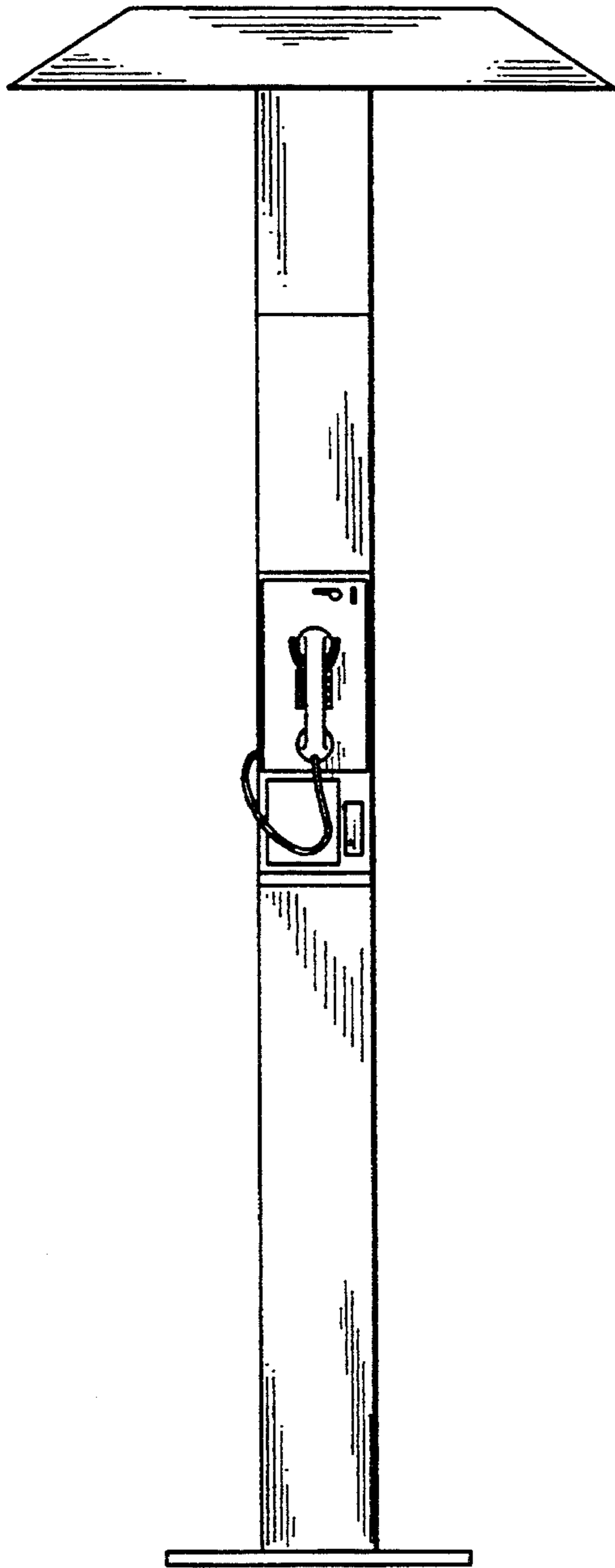


Fig. 2

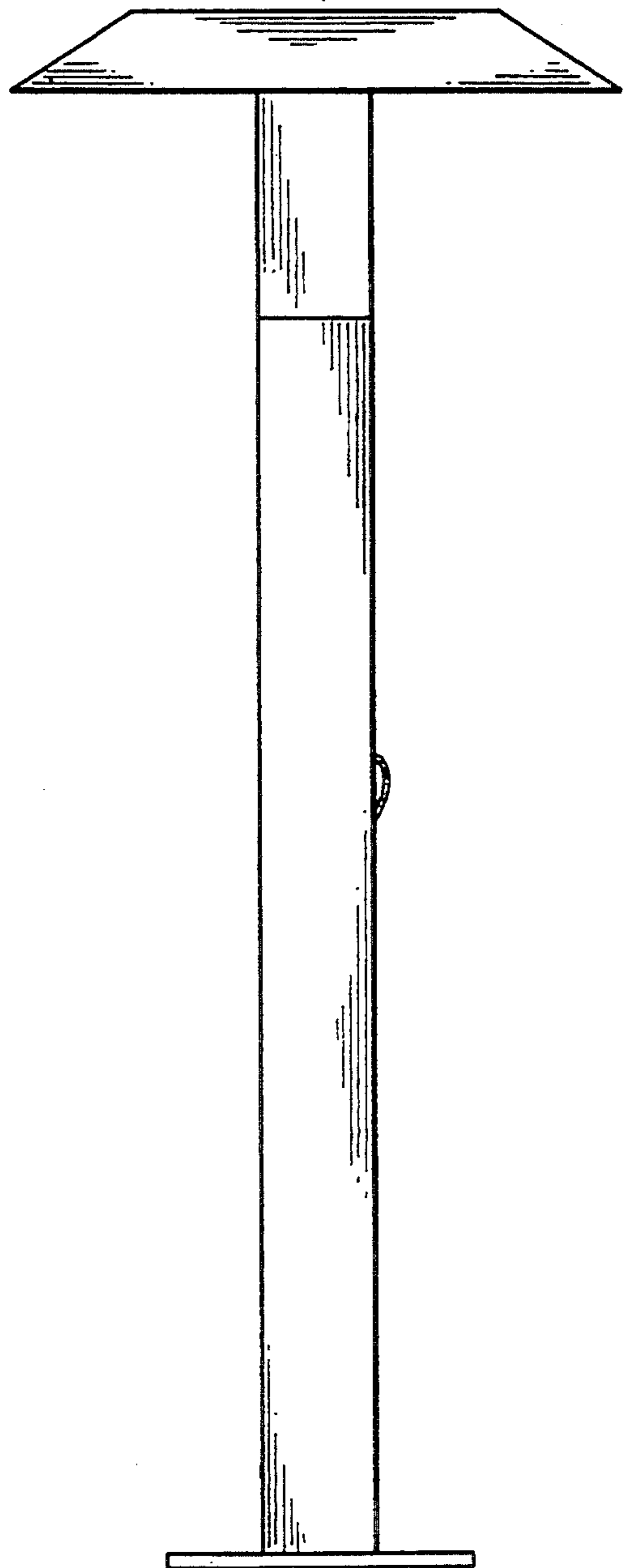


Fig. 3

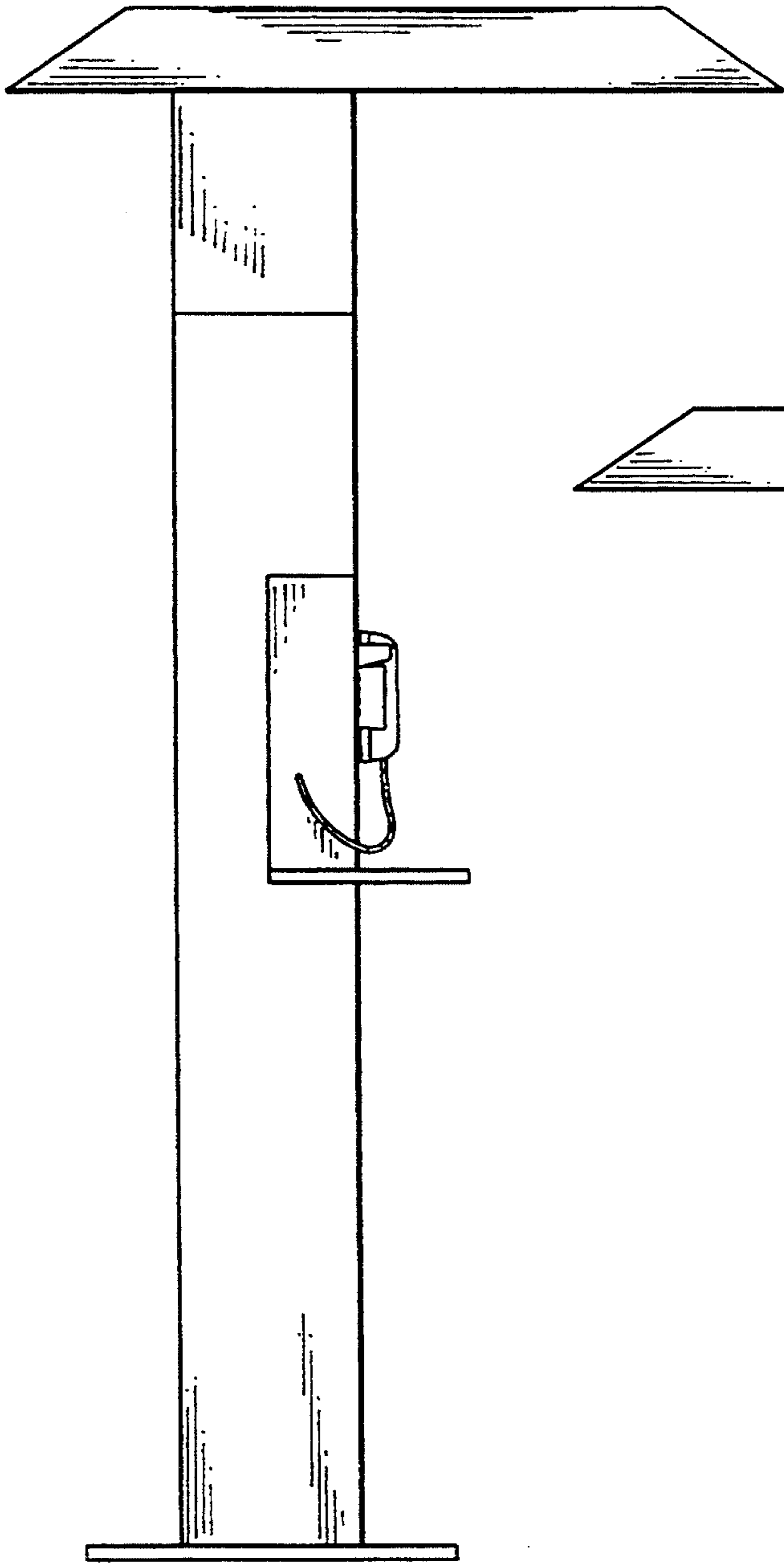


Fig. 4

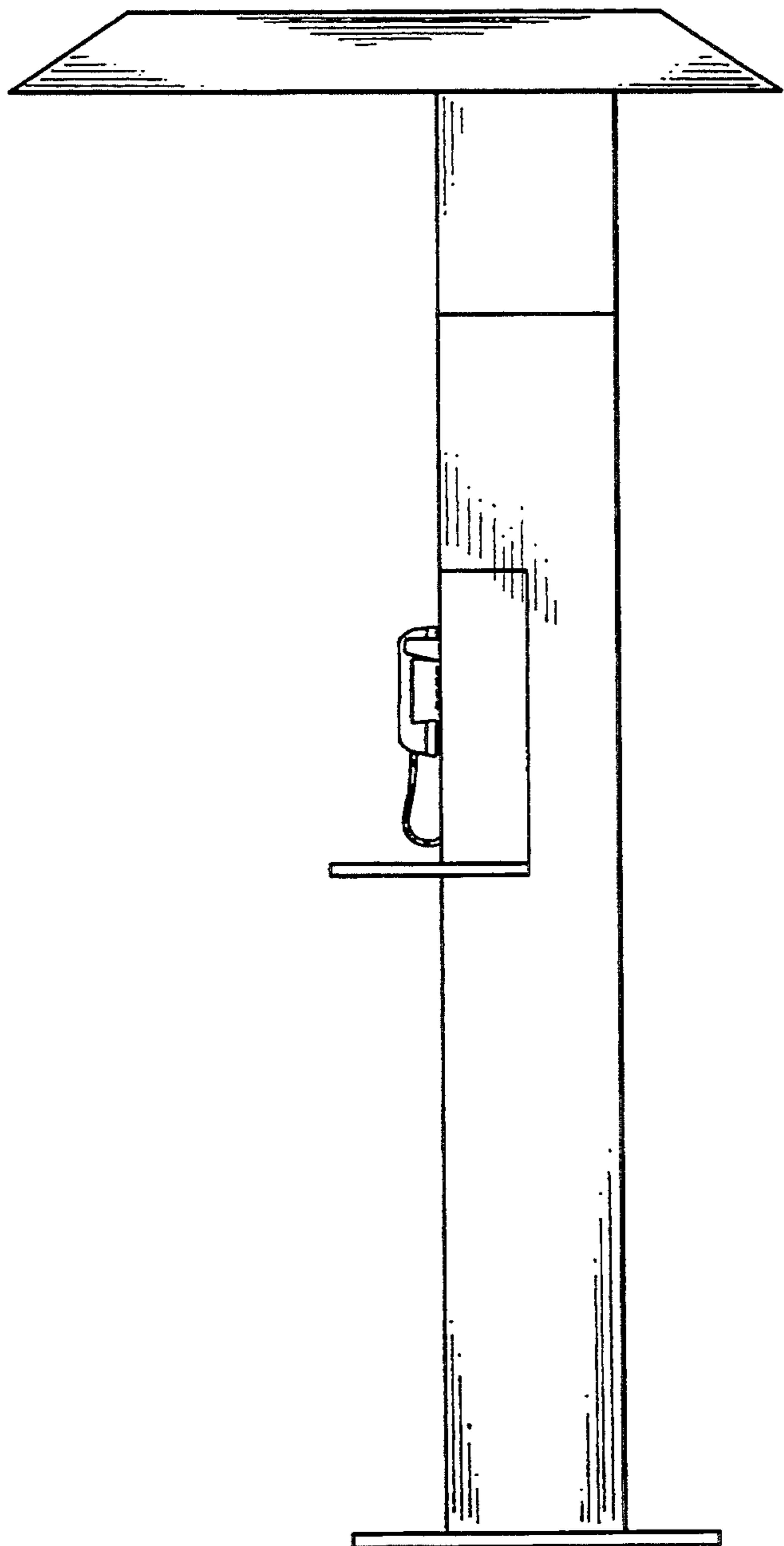


Fig. 5

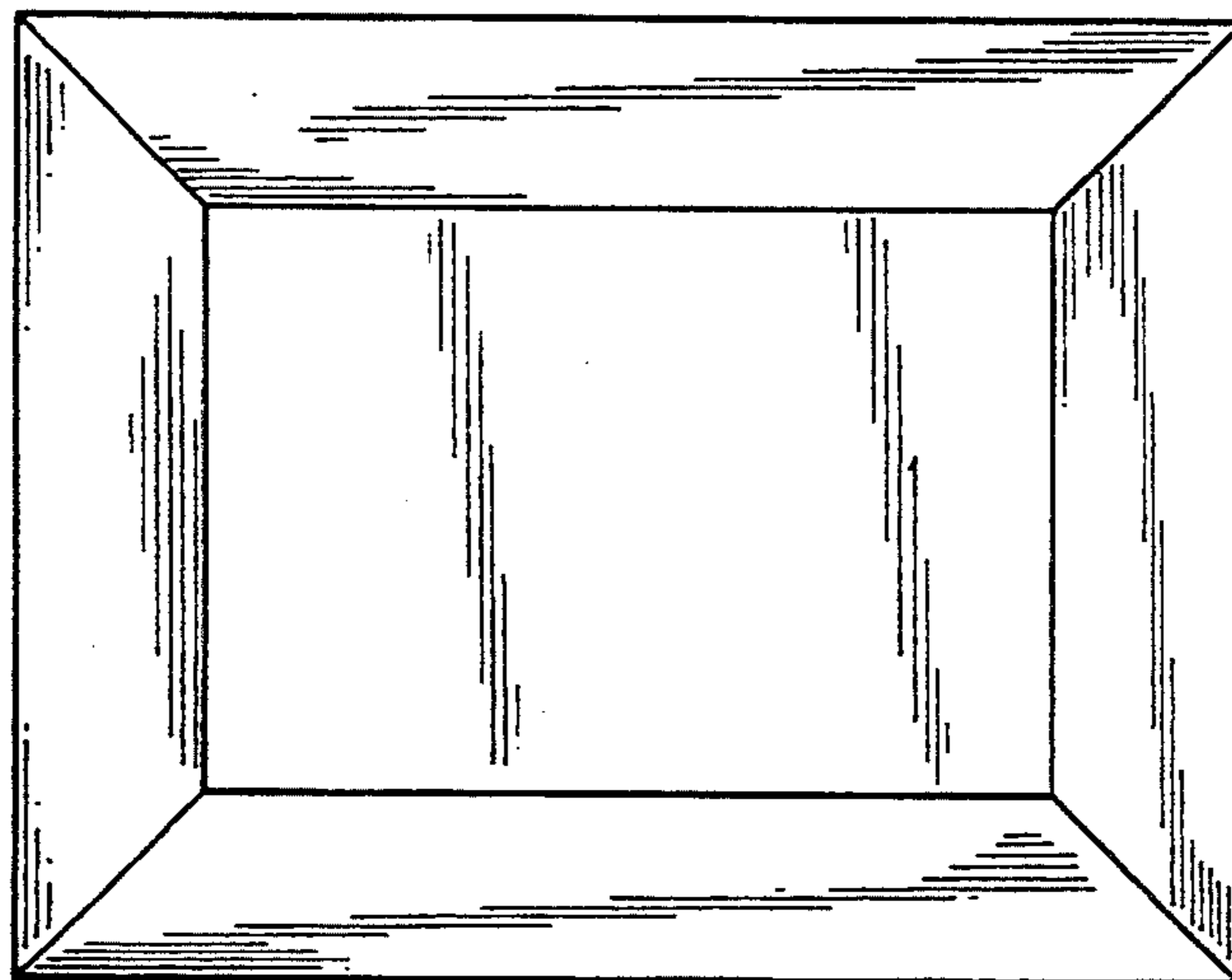


Fig. 6

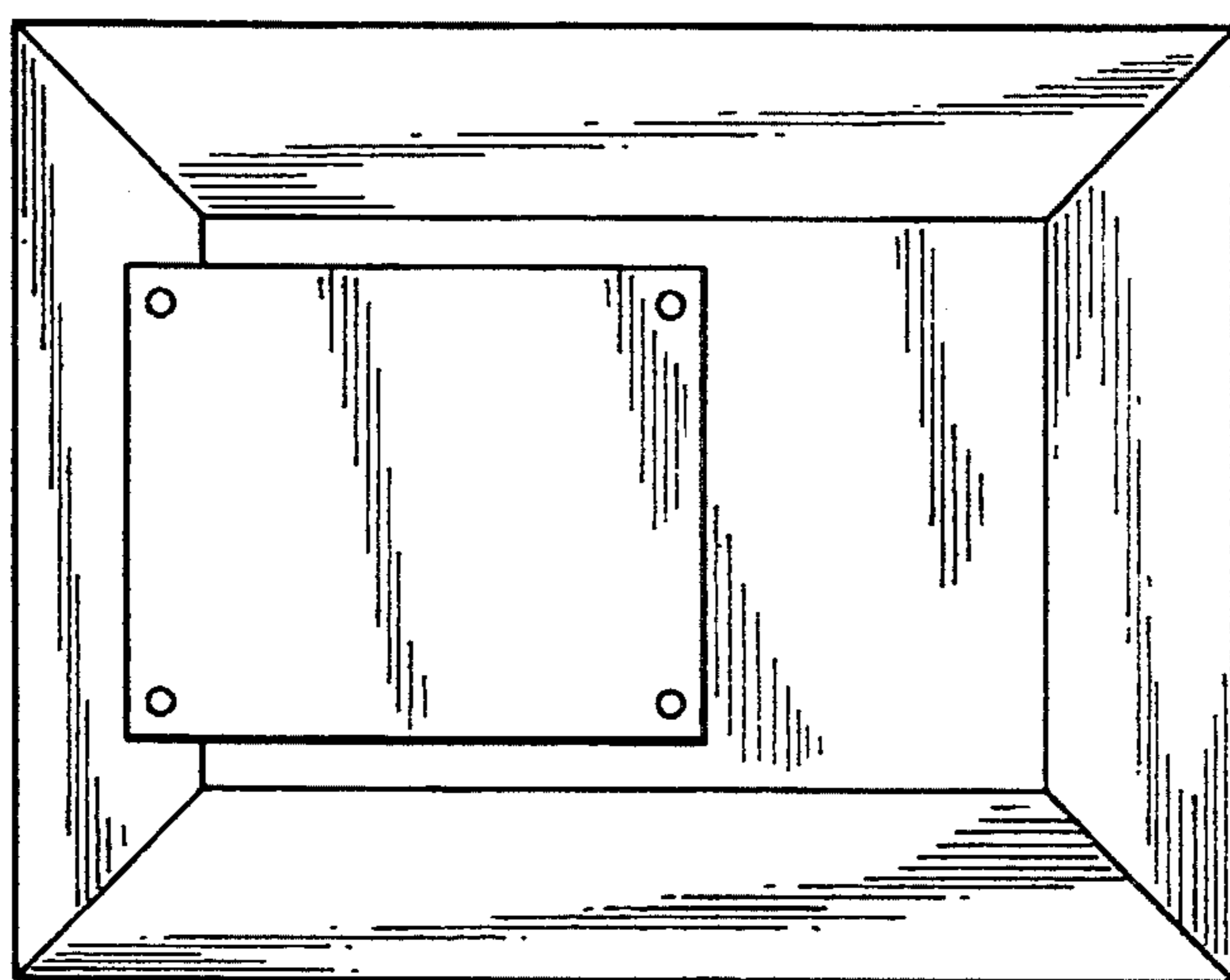


Fig. 7