



US00D357910S

# United States Patent [19]

[11] Patent Number: **Des. 357,910**

Newhouse

[45] Date of Patent: **\*\* May 2, 1995**

[54] **COMBINED KEYBOARD TRAY AND WRIST REST**

[75] Inventor: **Thomas J. Newhouse**, Grand Rapids, Mich.

[73] Assignee: **Herman Miller, Inc.**, Zeeland, Mich.

[\*\*] Term: **14 Years**

[21] Appl. No.: **900,830**

[22] Filed: **Jun. 18, 1992**

[52] U.S. Cl. .... **D14/114**

[58] Field of Search ..... D14/114; 211/50, 153; 248/917-924, 678, 442.2, 452, 671, 676, 118.3, 118, 346, 489; 400/689-693, 715; D6/406, 420, 509, 511, 436, 430

4,931,978	6/1990	Drake et al.	364/708
4,976,407	12/1990	Schwartz et al.	248/118.3
4,986,616	1/1991	Chang et al.	312/208
5,031,867	7/1991	Cotterill	248/281.1
5,037,054	8/1991	McConnell	248/284
5,041,770	8/1991	Seiler et al.	318/265
5,048,784	9/1991	Schwartz et al.	248/244
5,062,609	11/1991	Hames et al.	248/676
5,125,606	6/1992	Cassano et al.	248/118
5,131,614	7/1992	Garcia et al.	248/118
5,145,136	9/1992	McConnell	248/284
5,163,646	11/1992	Engelhardt	248/118

*Primary Examiner*—James M. Gandy

*Assistant Examiner*—M. H. Tung

*Attorney, Agent, or Firm*—William Brinks Hofer Gilson & Lione

## [56] References Cited

### U.S. PATENT DOCUMENTS

D. 288,097	2/1987	Harter et al.	D14/114
D. 328,001	7/1992	Kelly	D6/511
D. 328,598	8/1992	Massey	D14/114
D. 330,892	11/1992	Hassel et al.	D14/114
D. 331,045	11/1992	Moerke	D6/510 X
D. 342,243	12/1993	Land	D14/114
4,316,082	2/1982	Fritz	235/146
4,546,708	10/1985	Wilburth	108/94
4,616,798	10/1986	Smeenge et al.	248/281.1
4,625,657	12/1986	Little et al.	108/93
4,632,349	12/1986	Anstey	248/281.1
4,635,893	1/1987	Nelson	248/558
4,648,574	3/1987	Granlund	248/349
4,688,862	8/1987	Fowler et al.	312/325
4,706,919	11/1987	Soberalski et al.	248/281.1
4,709,972	12/1987	LaBudde et al.	312/208
4,717,112	1/1988	Pirkle	248/639
4,736,689	4/1988	Stanko	108/5
4,776,284	10/1988	McIntosh	108/138
4,826,123	5/1989	Hannah et al.	248/248
4,843,978	7/1989	Schmidt et al.	108/138
4,913,390	4/1990	Berke	248/176
4,923,259	5/1990	Bartok	312/208

## [57] CLAIM

The ornamental design for a combined keyboard tray and wrist rest, as shown and described.

## DESCRIPTION

FIG. 1 is a top perspective view of a combined keyboard tray and wrist rest showing my new design; FIG. 2 is a top plan view thereof; FIG. 3 is a side elevational view of the combined keyboard tray and wrist rest shown in a raised, extended position, the opposite side view being a mirror image thereof; FIG. 4 is a side elevational view of the combined keyboard tray and wrist rest shown in a lower, extended position; FIG. 5 is a side elevational view of the combined keyboard tray and wrist rest shown in a lower, retracted position; FIG. 6 is a front elevational view of the combined keyboard tray and wrist rest; FIG. 7 is a rear elevational view thereof; and, FIG. 8 is a bottom plan view thereof.

The broken line drawing of a support mount on all views is for environmental purposes only and forms no part of the claimed design.

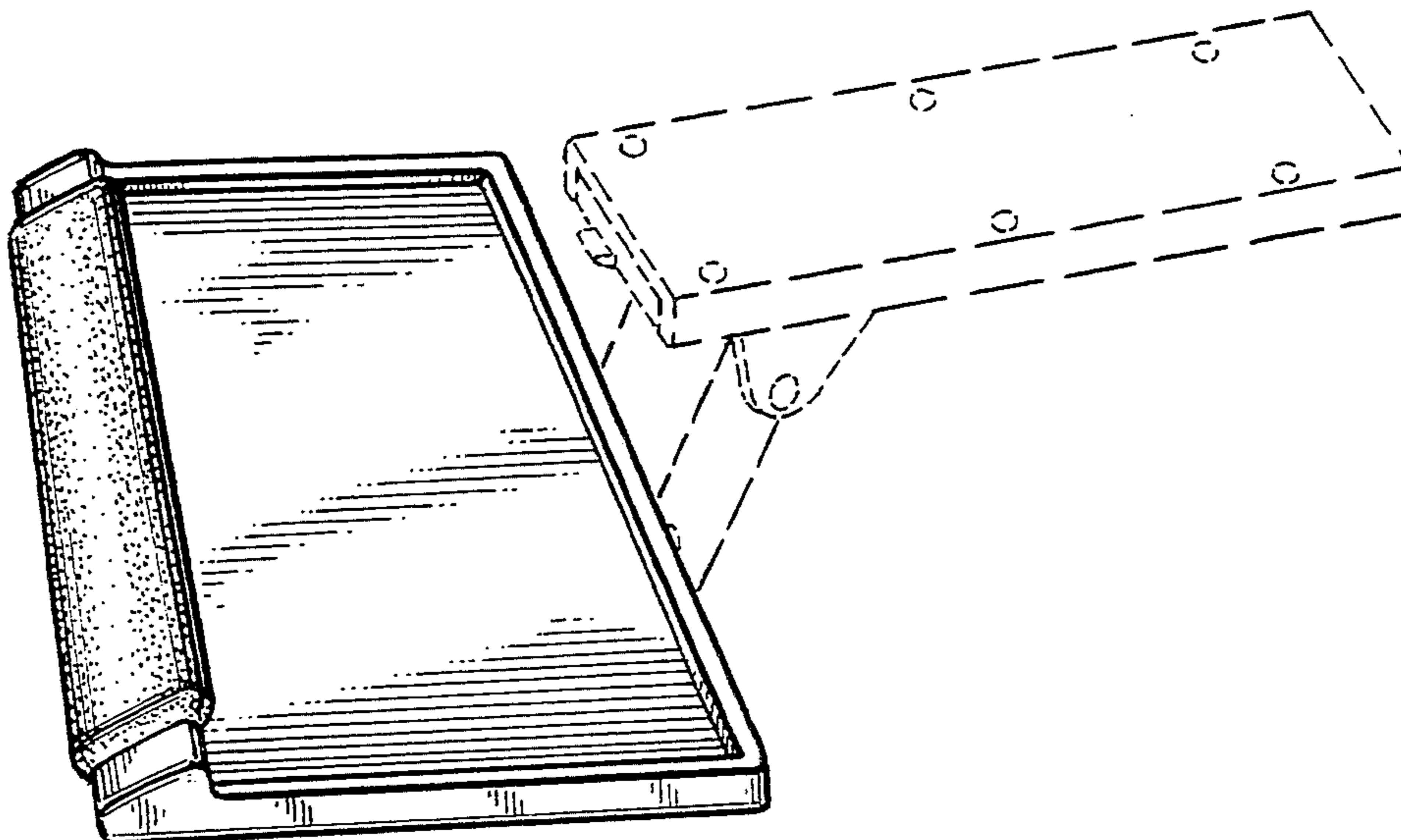


FIG. 1

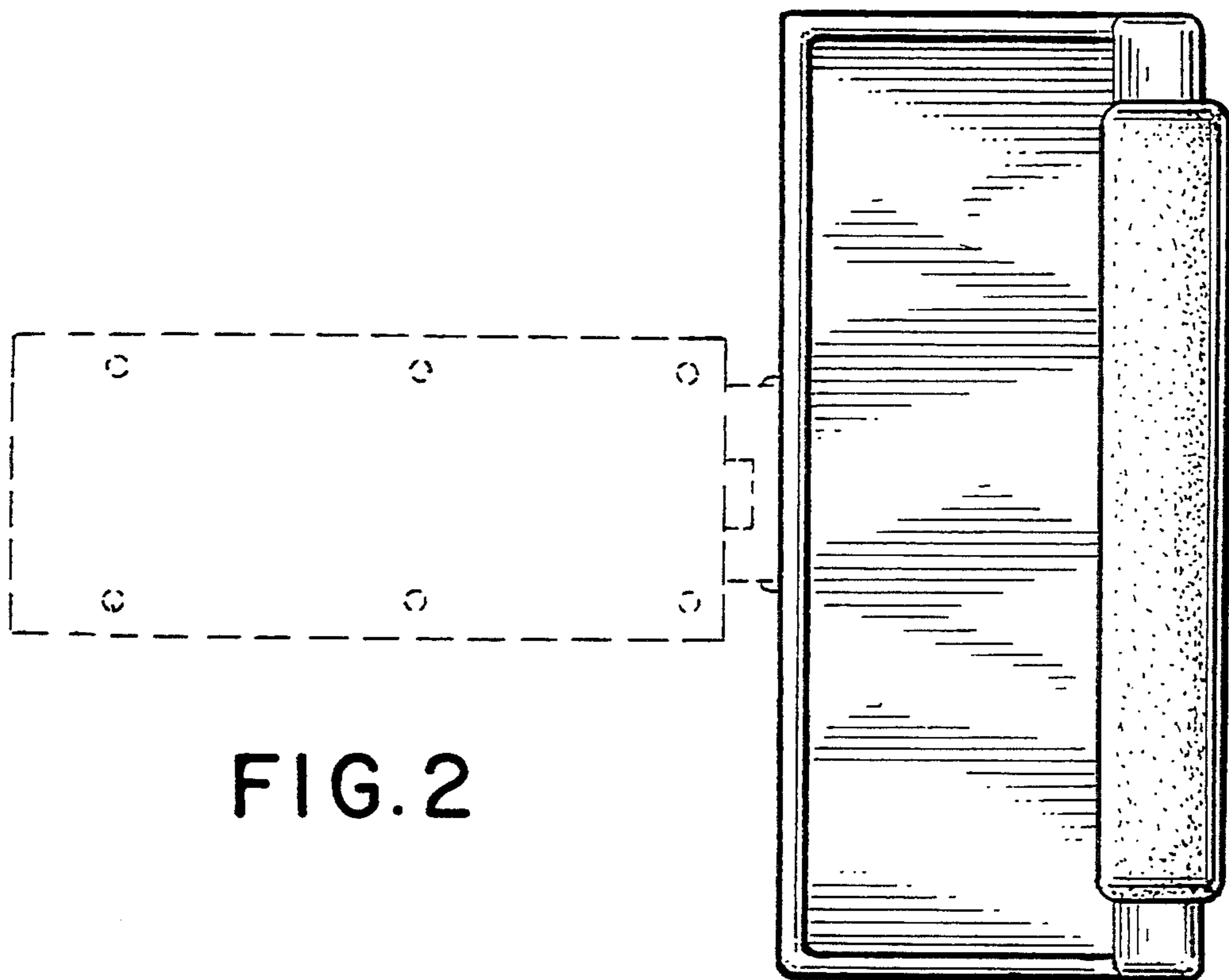
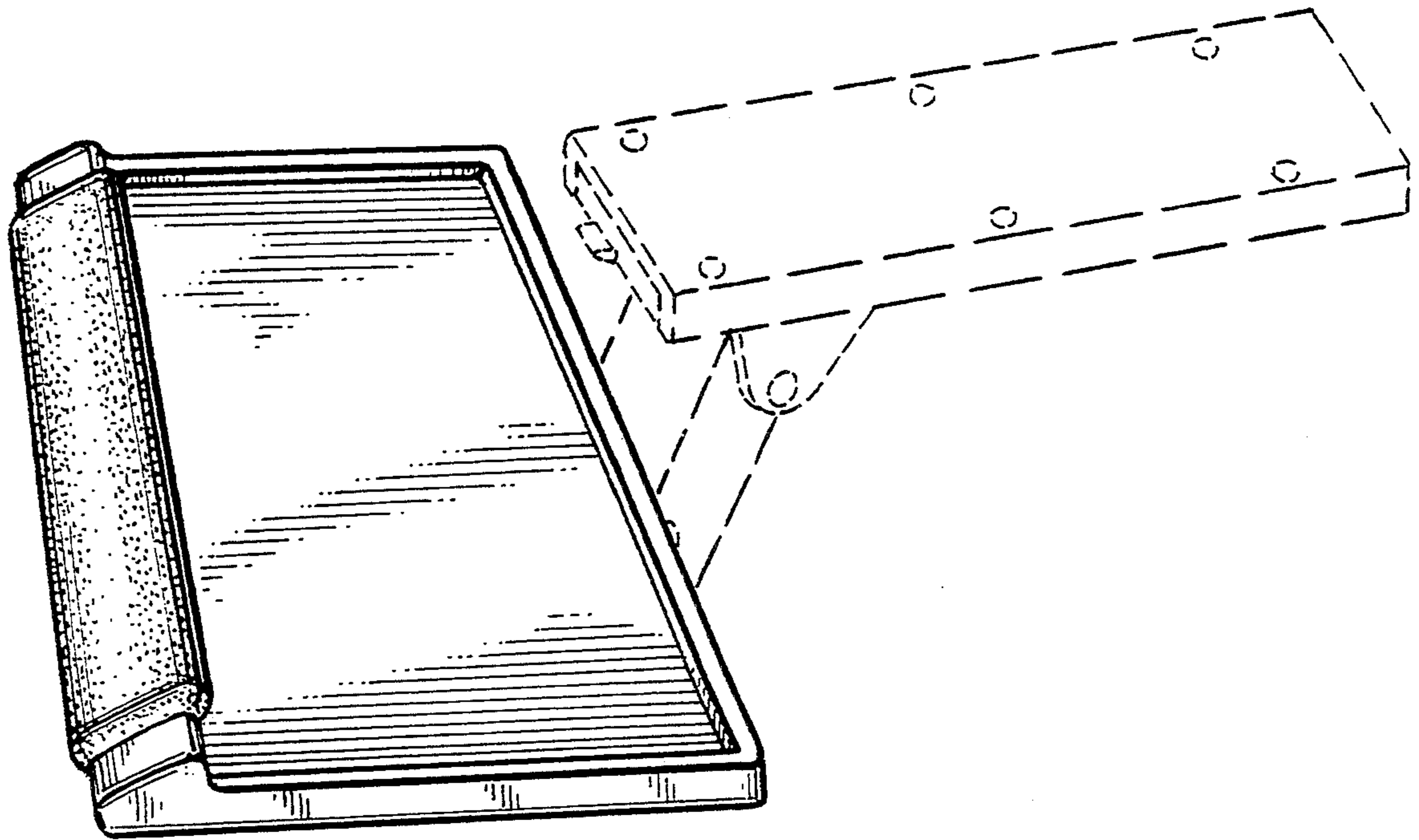


FIG. 2

FIG. 3

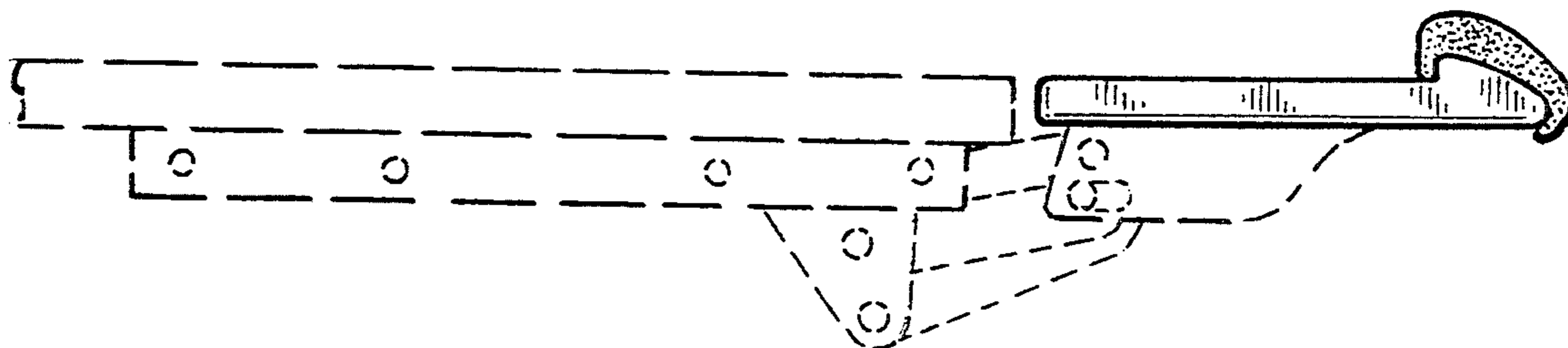


FIG. 4

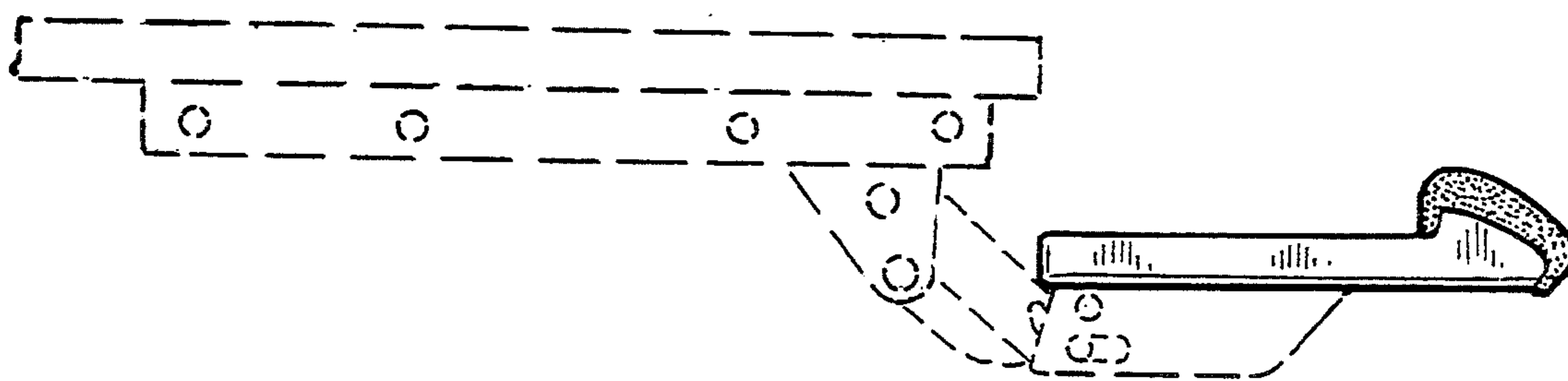


FIG. 5

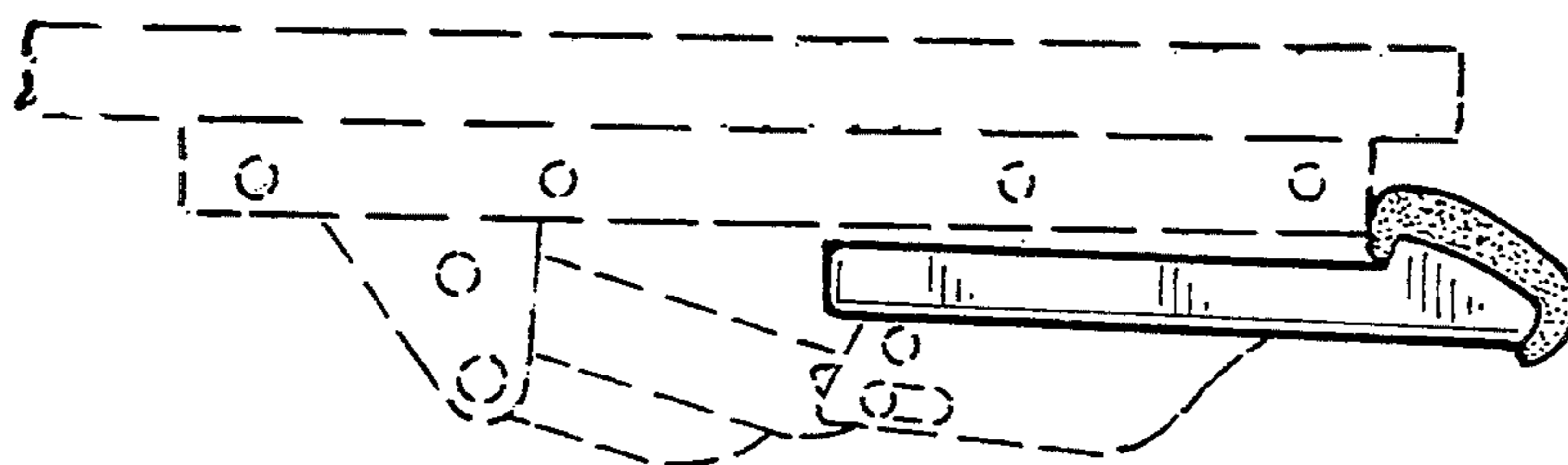


FIG. 6

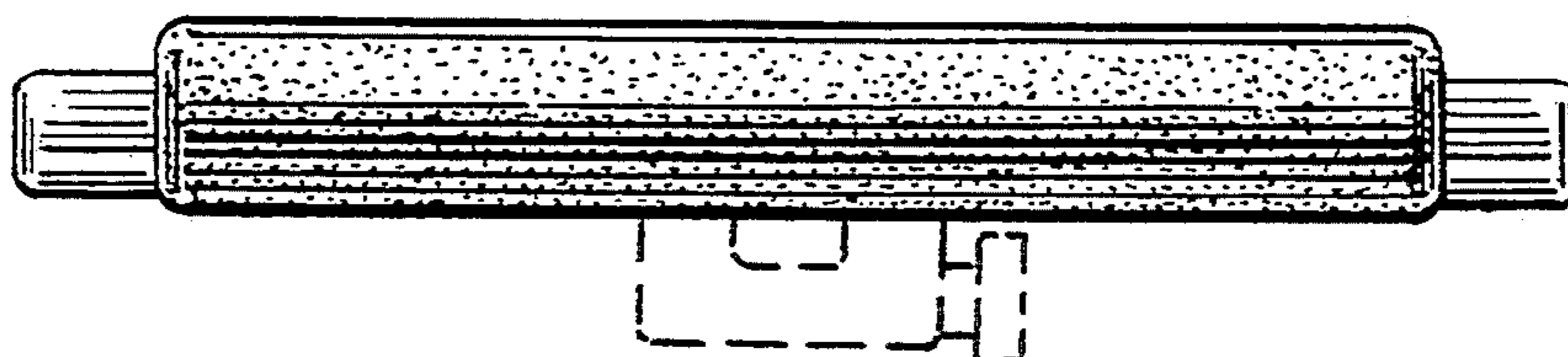


FIG. 7

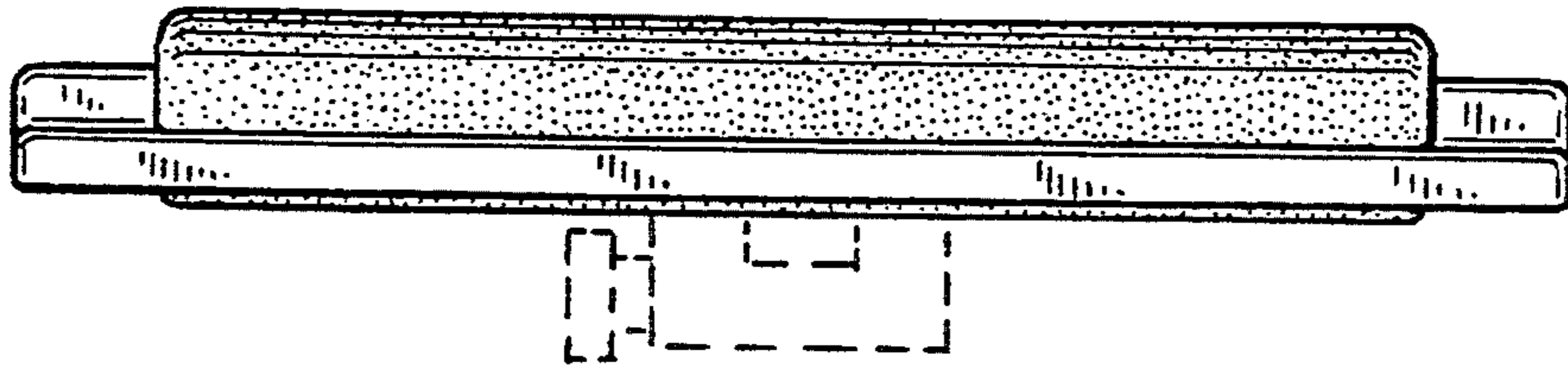


FIG. 8

