



US00D357908S

United States Patent [19]

[11] Patent Number: **Des. 357,908**

Imai et al.

[45] Date of Patent: **** May 2, 1995**

[54] COMPUTER MONITOR

[75] Inventors: **Toshitaka Imai**, Sagamihara, Japan; **Markus Oates**, Rowledge, United Kingdom; **Richard Sapper**, Milan, Italy; **Tomoyuki Takahashi**, Fujisawa, Japan; **John A. Wiseman**, Ridgefield, Conn.

[73] Assignee: **International Business Machines Incorporated**, Armonk, N.Y.

[**] Term: **14 Years**

[21] Appl. No.: **14,143**

[22] Filed: **Oct. 13, 1993**

[30] Foreign Application Priority Data

Apr. 13, 1993 [GB] United Kingdom 2030330
[52] U.S. Cl. **D14/113**
[58] Field of Search D14/100, 106, 113, 101, D14/124-127, 129; 345/104, 133, 156, 168, 87, 173, 901-905; 358/249, 254, 255; 248/917-924

[56] References Cited

U.S. PATENT DOCUMENTS

D. 332,784 1/1993 Wiseman et al. D14/113
D. 344,935 3/1994 Imai et al. D14/113
D. 345,349 3/1994 Imai et al. D14/113
D. 348,049 6/1994 Manabe et al. D14/100

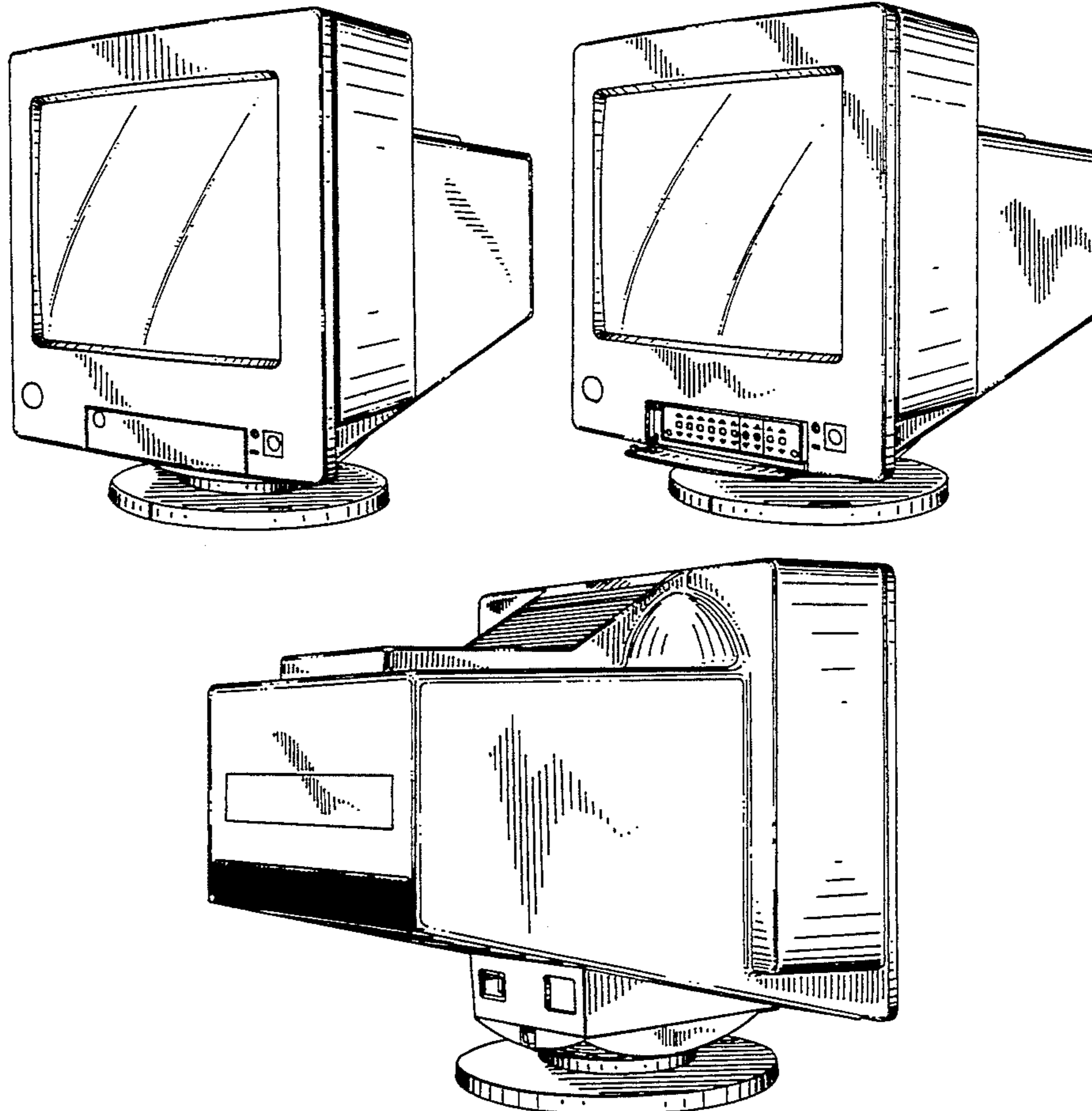
Primary Examiner—Freda S. Nunn
Attorney, Agent, or Firm—Bernard D. Bogdon

[57] CLAIM

The ornamental design for a computer monitor, as shown and described.

DESCRIPTION

FIG. 1 is a front and right side perspective view of a computer monitor showing the new design; FIG. 2 is a front and right side perspective view with opened control panel door thereof; FIG. 3 is a front view thereof on an enlarged scale; FIG. 4 is a front view with opened control panel door thereof; FIG. 5 is a rear view thereof; FIG. 6 is a top plan view thereof; FIG. 7 is a bottom plan view thereof; FIG. 8 is a left side view thereof; FIG. 9 is a right side view thereof; and, FIG. 10 is a rear left side perspective view thereof.



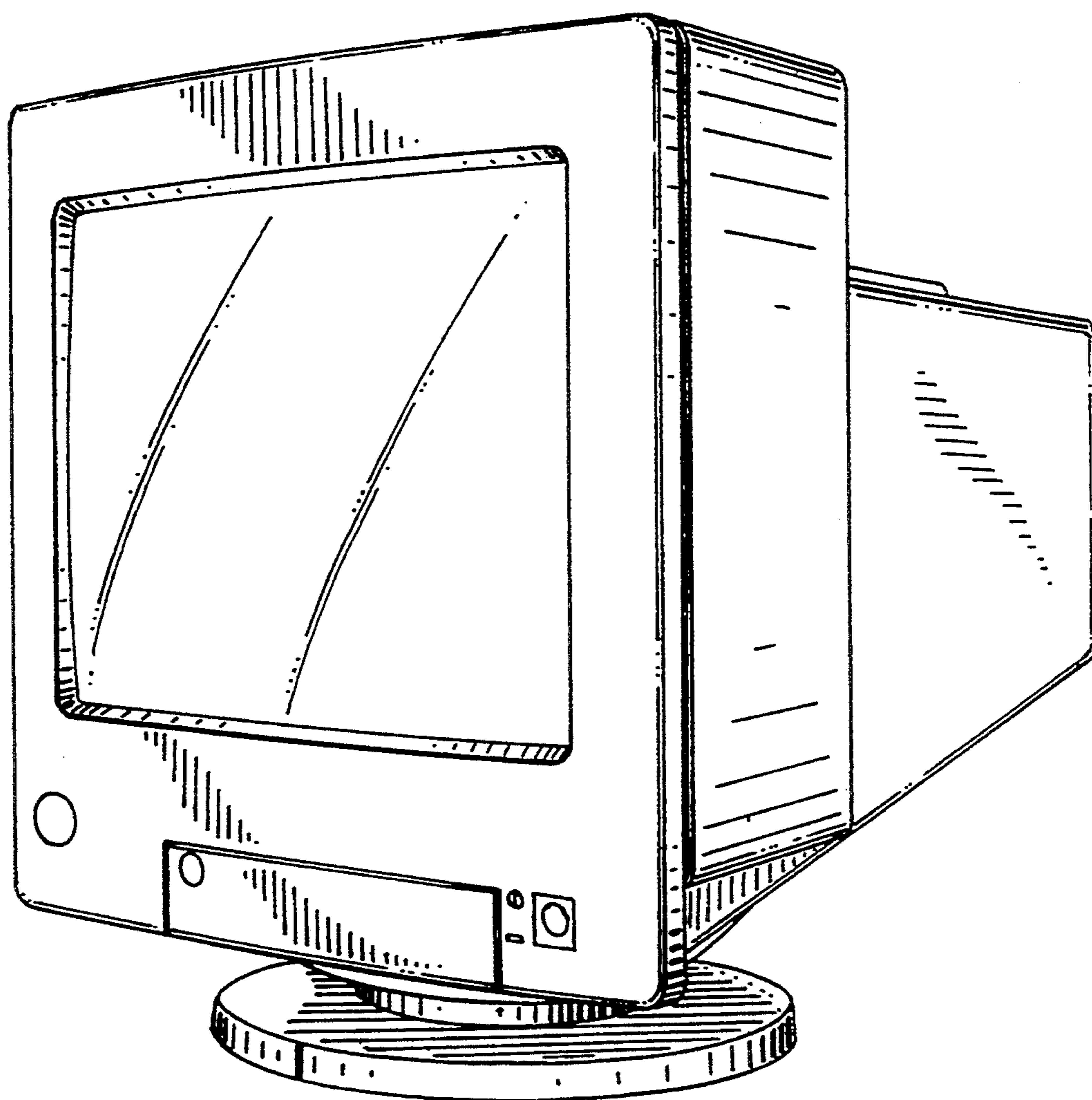


FIG. 1

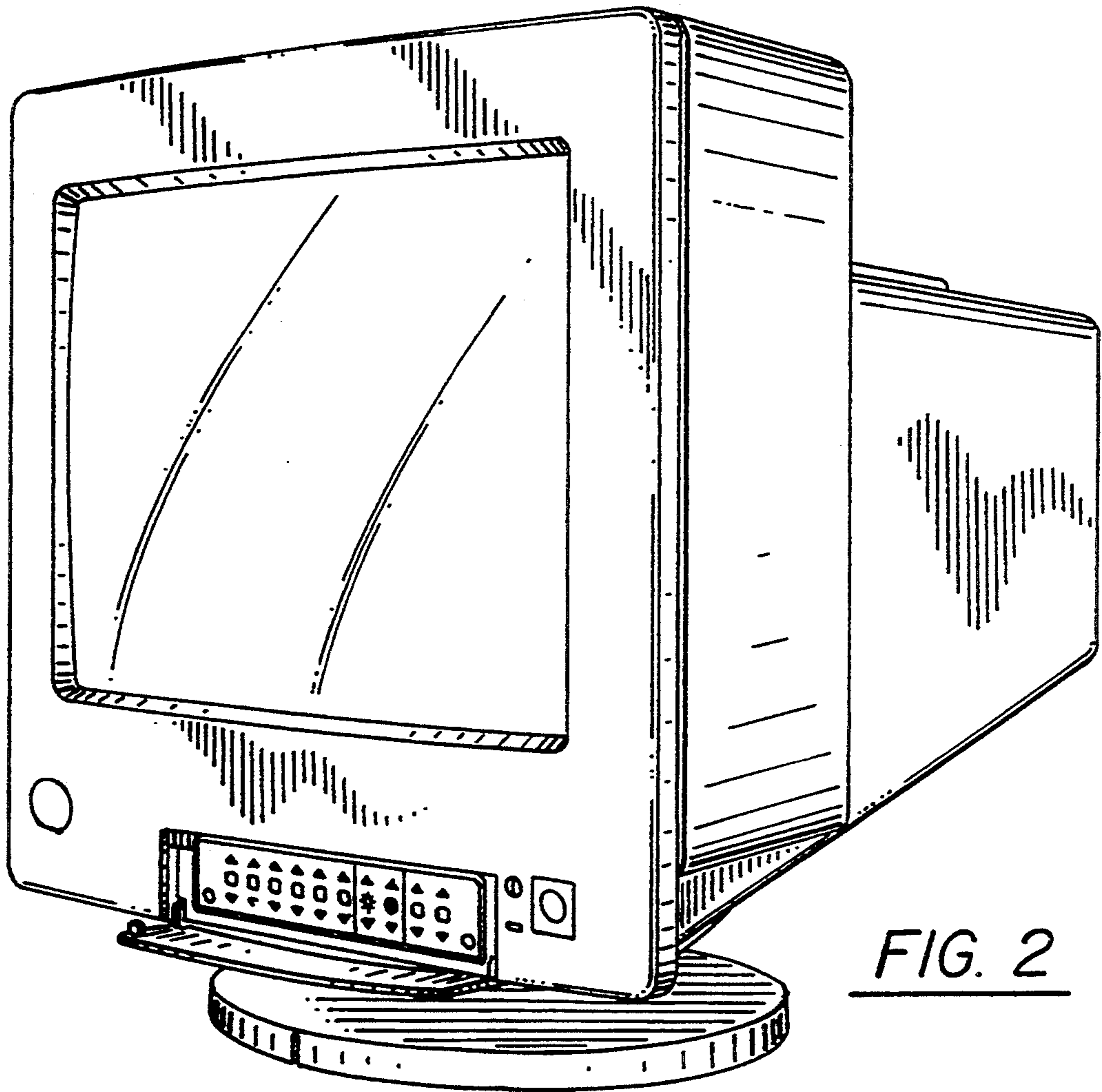


FIG. 2

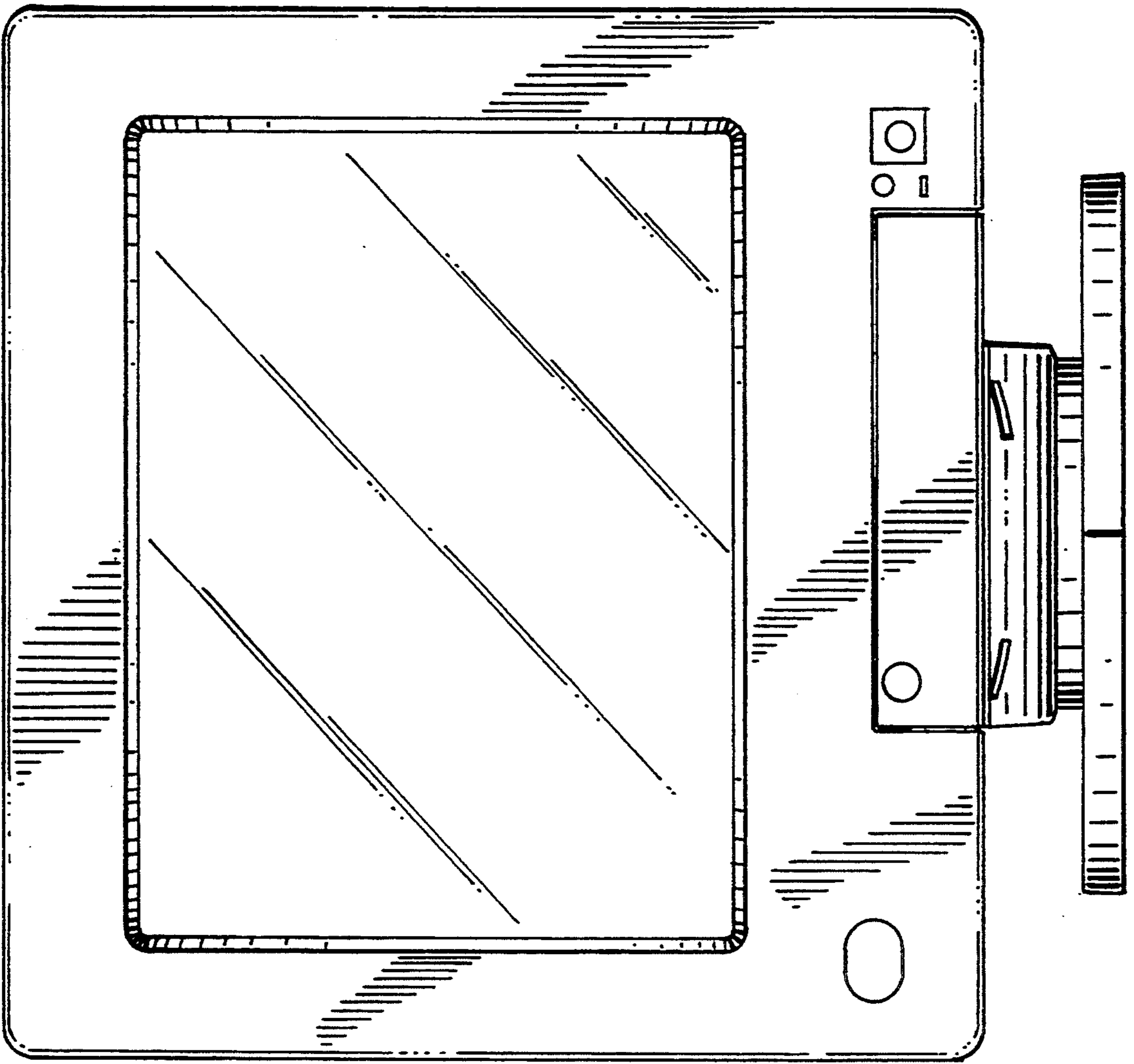


FIG. 3

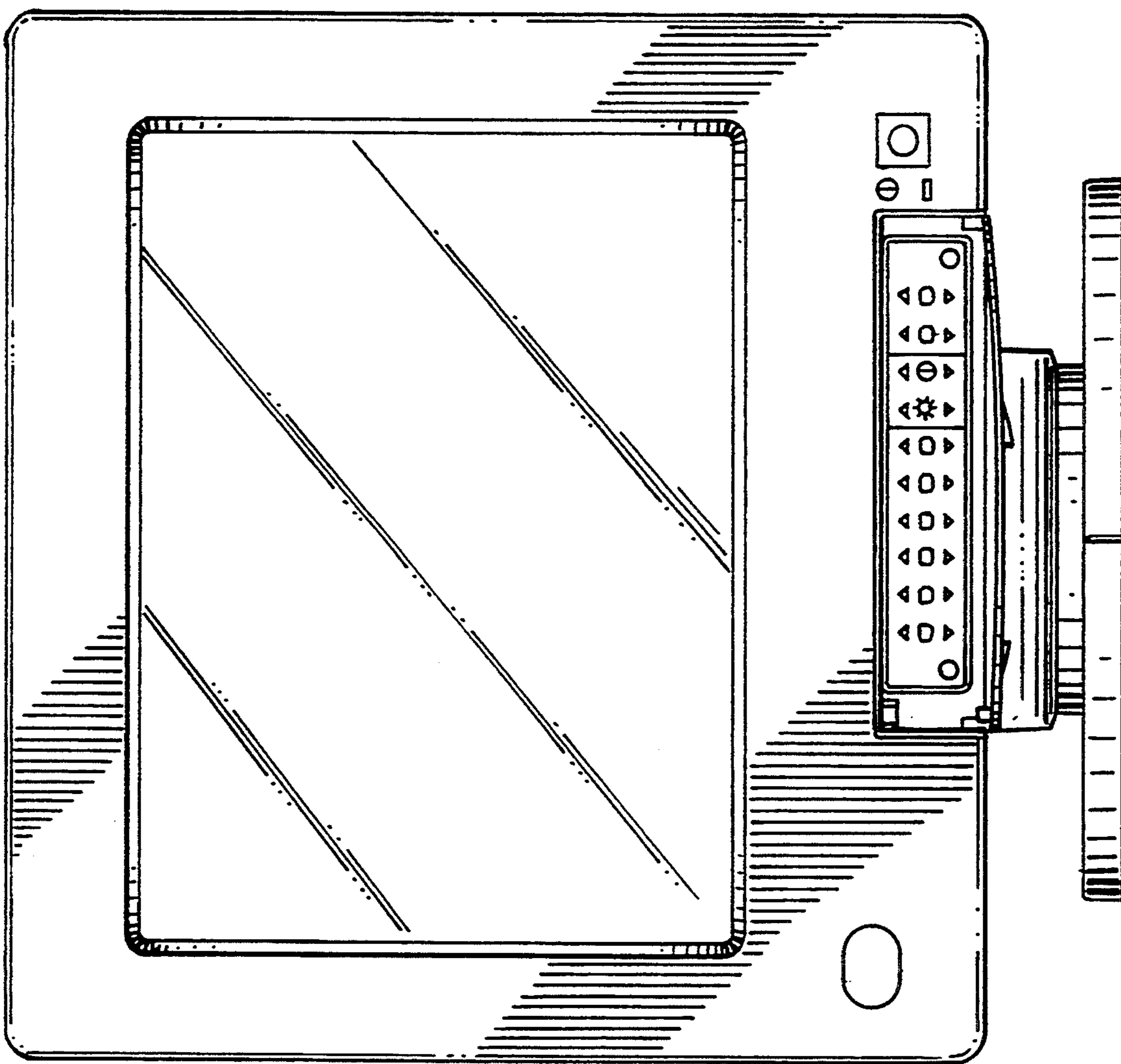


FIG. 4

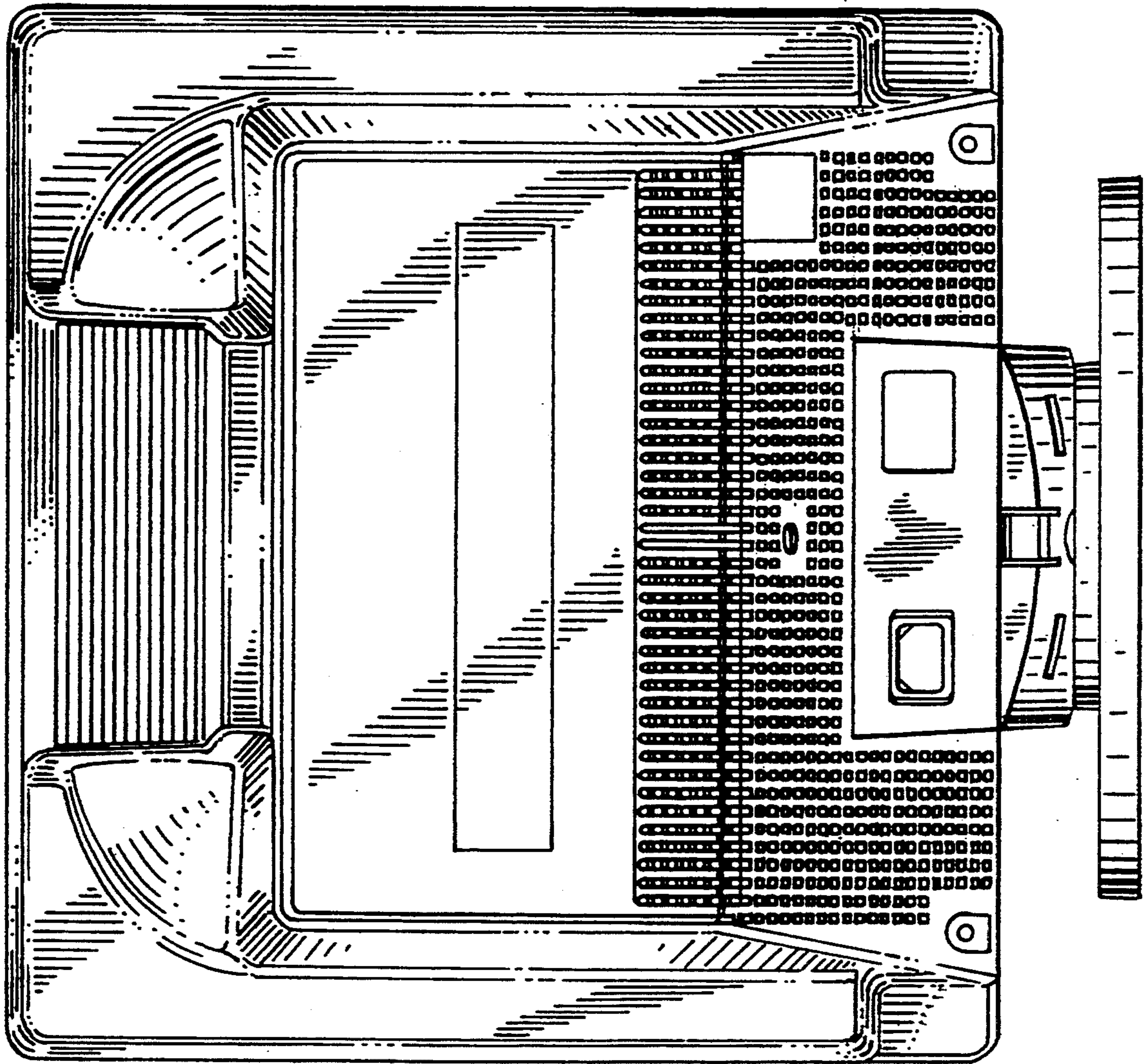


FIG. 5

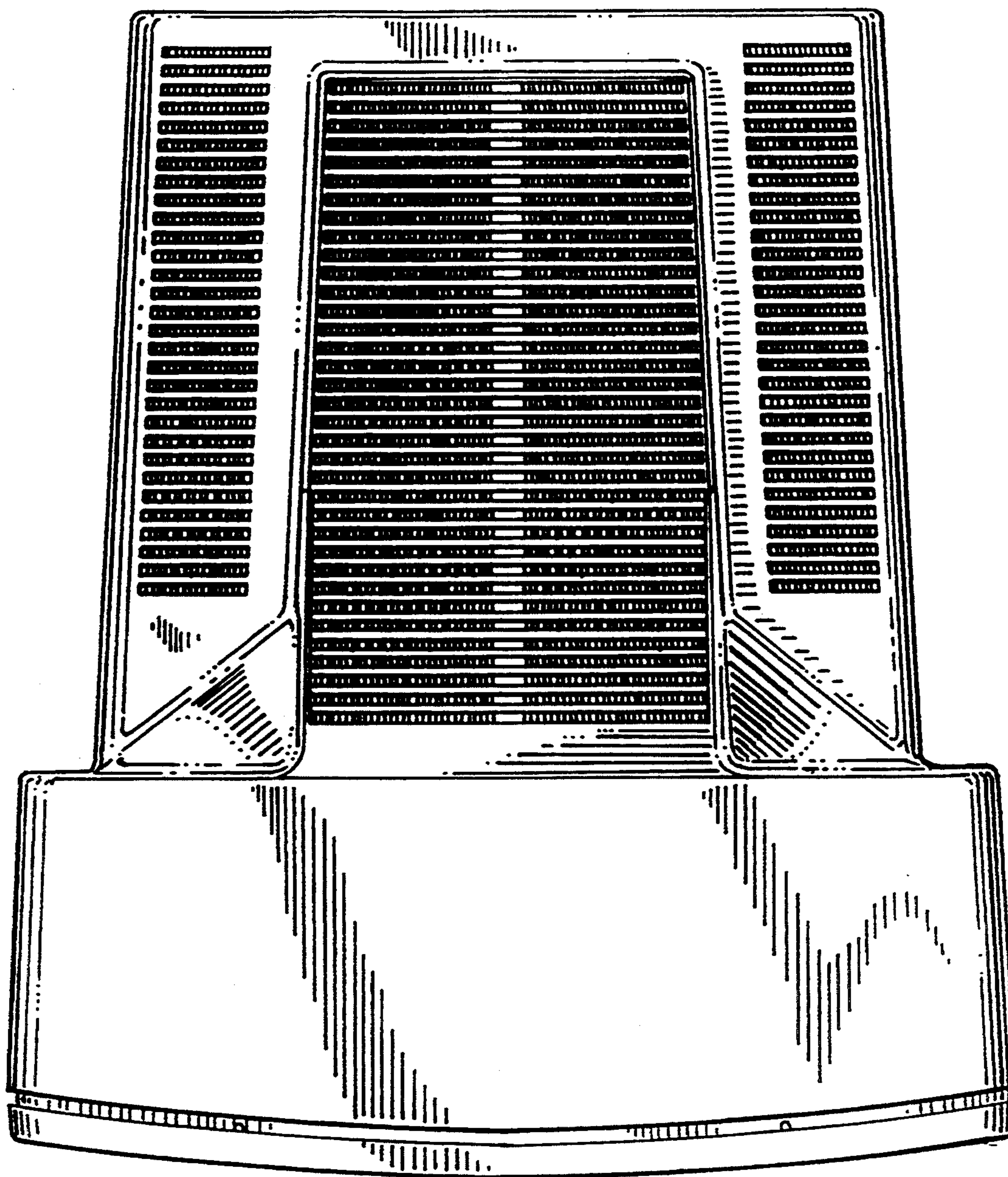


FIG. 6

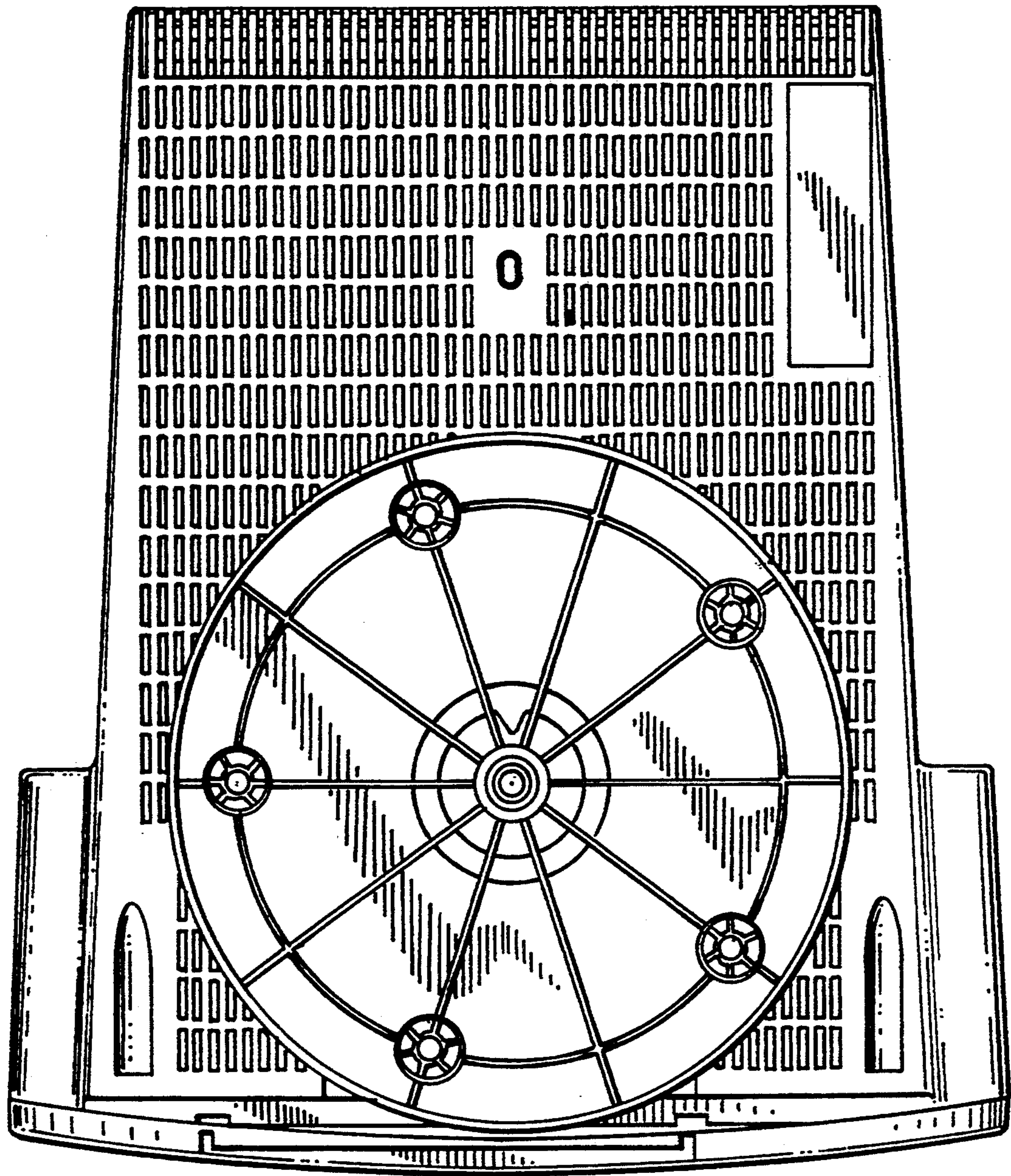
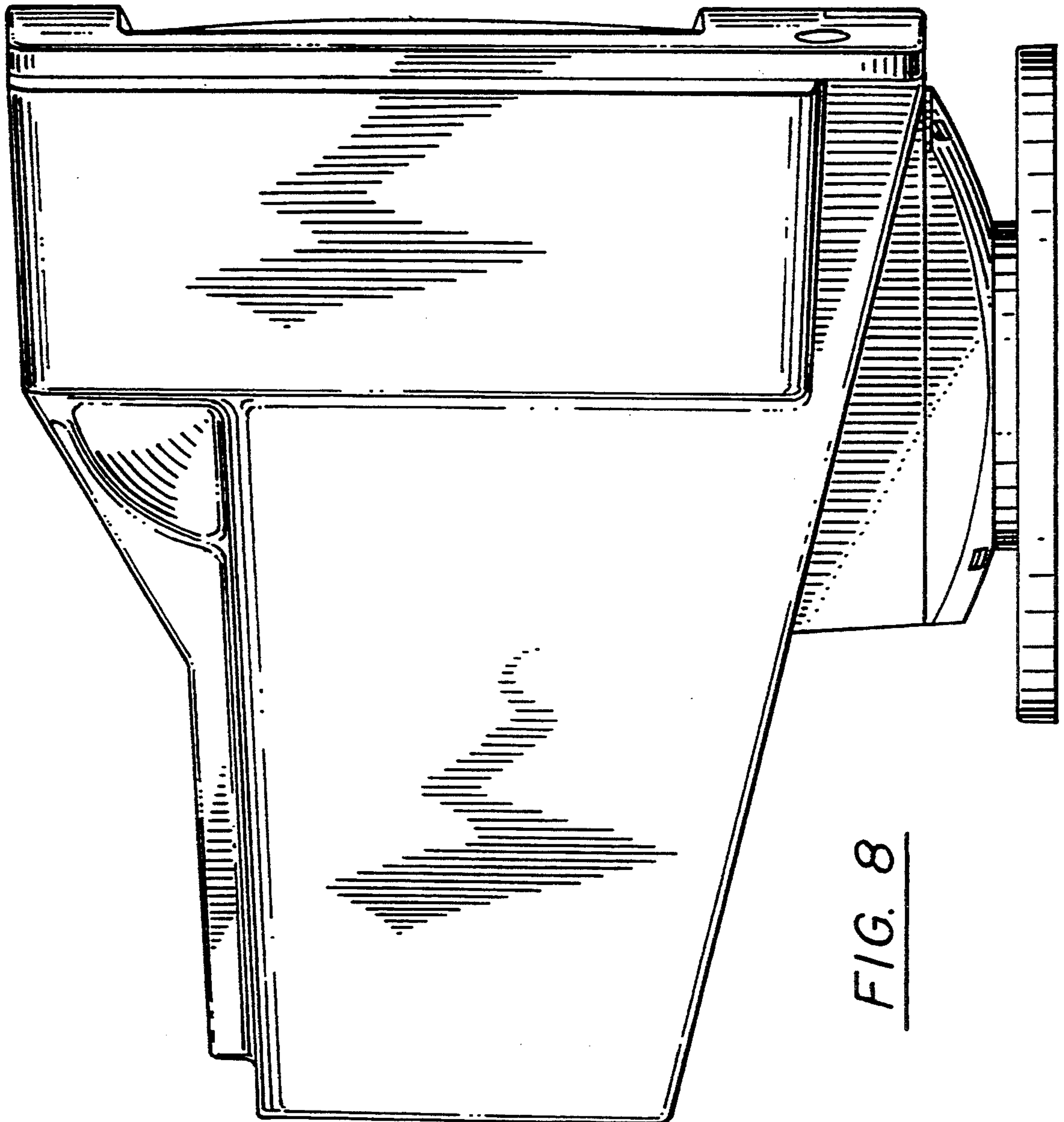


FIG. 7



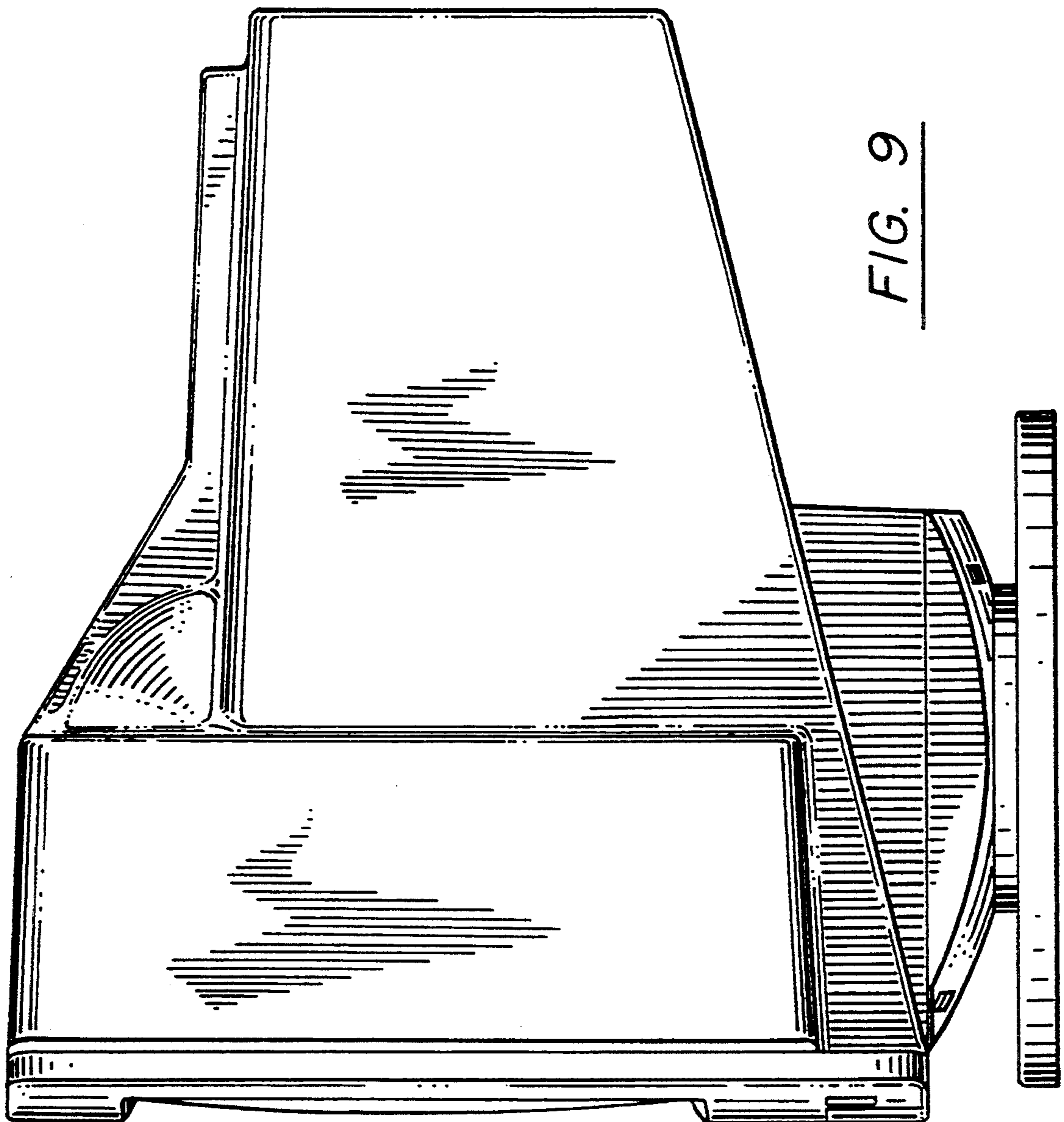


FIG. 9

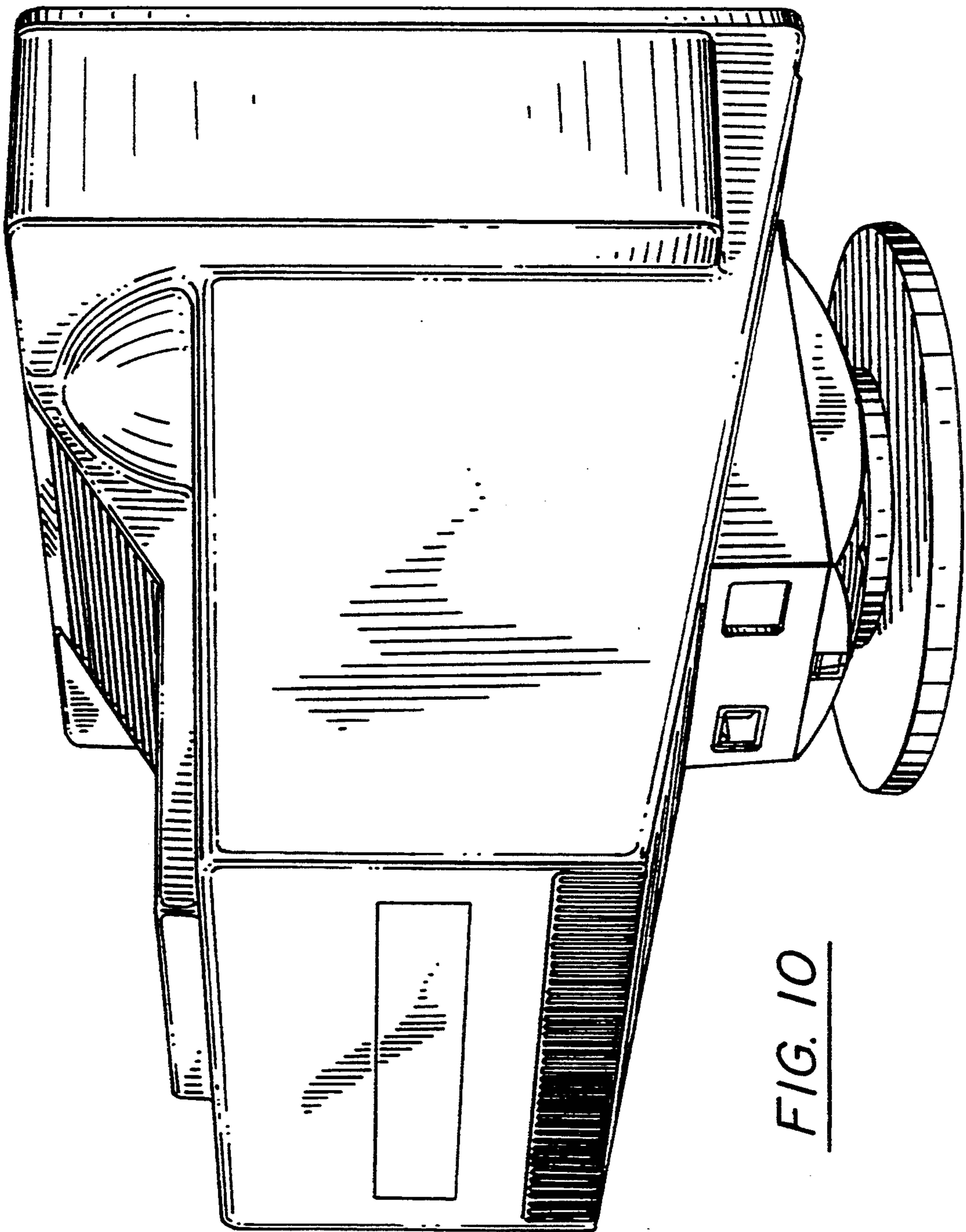


FIG. 10