



US00D357904S

United States Patent [19] Kimbrough

[11] Patent Number: **Des. 357,904**

[45] Date of Patent: **** May 2, 1995**

[54] **DESKTOP COMPUTER**

[56] **References Cited**

[75] Inventor: **Mark Kimbrough, Austin, Tex.**

U.S. PATENT DOCUMENTS

[73] Assignee: **Dell USA, L.P., Austin, Tex.**

D. 306,283	2/1990	Loose	D14/100
D. 329,846	9/1992	Haner	D14/100
D. 342,486	12/1993	Chiba et al.	D14/100
D. 344,717	3/1994	Cruz et al.	D14/100
D. 344,718	3/1994	Reiter	D14/100

[**] Term: **14 Years**

Primary Examiner—Freda S. Nunn
Attorney, Agent, or Firm—James Huffman

[21] Appl. No.: **17,409**

[57] CLAIM

The ornamental design for a desktop computer, as shown and described.

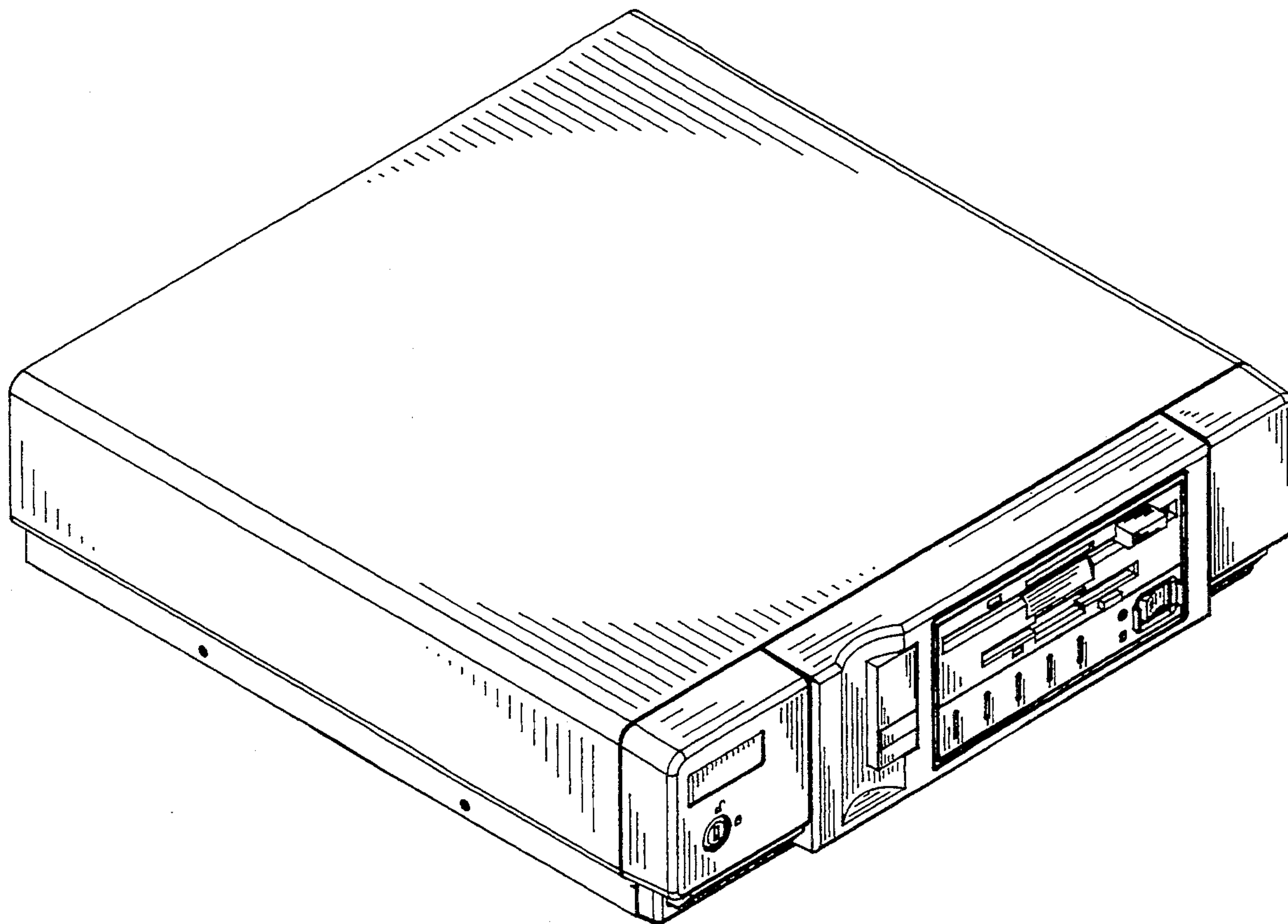
[22] Filed: **Jan. 12, 1994**

DESCRIPTION

[52] U.S. Cl. **D14/100**

[58] Field of Search D14/100, 102, 107-109;
D13/162, 184, 199; 312/208.1, 223.2, 223.3,
194; 360/97.01, 97.04, 98.01, 99.01, 99.12;
361/600, 622, 724-728

FIG. 1 is a top front and left side perspective view of a desktop computer showing our new design; FIG. 2 is a right rear perspective view thereof; and, FIG. 3 is a front elevational view thereof. The bottom is plan and unornamented.



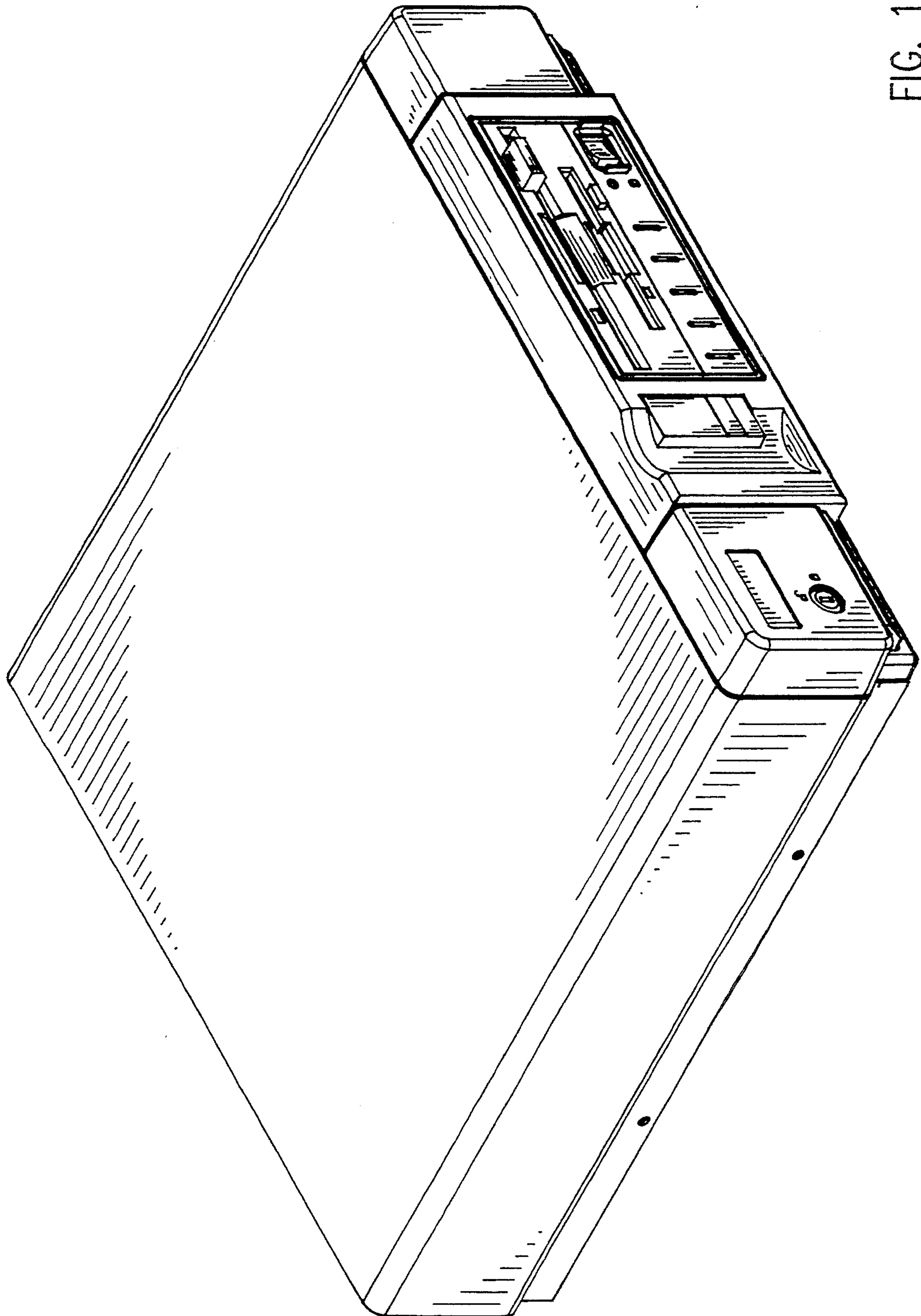


FIG. 1

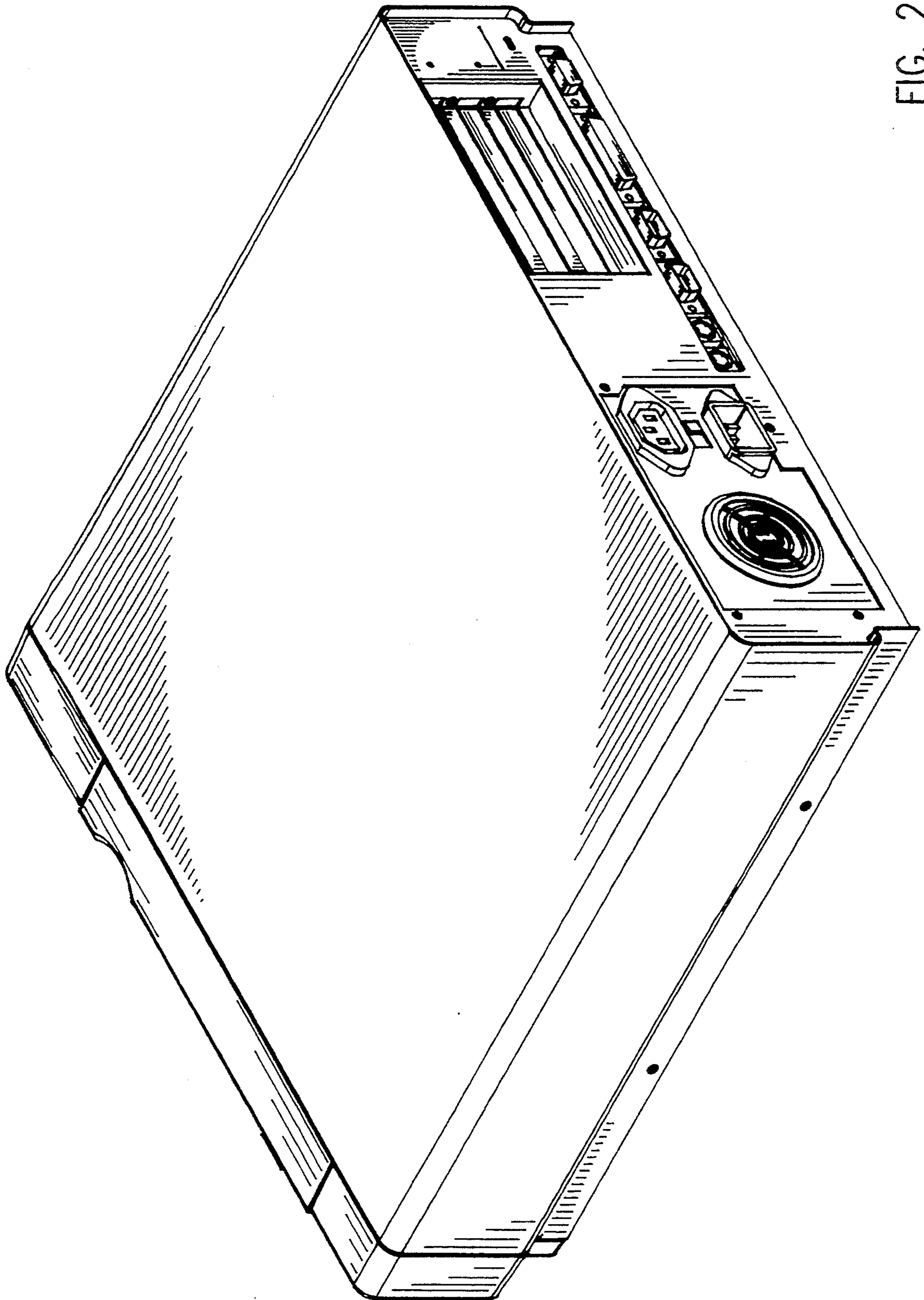


FIG. 2

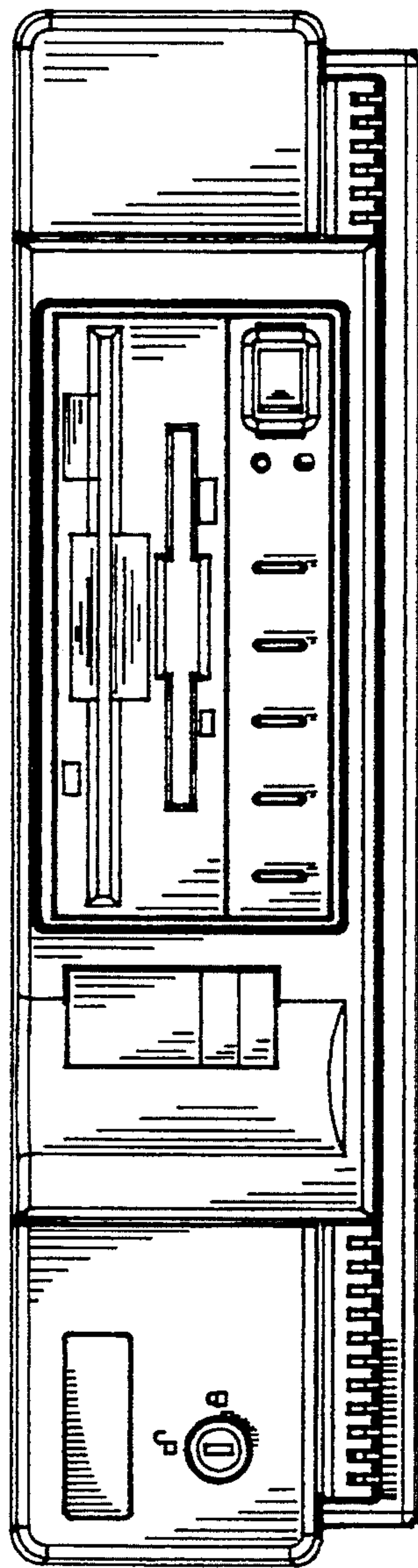


FIG. 3