



US00D357899S

# United States Patent [19]

[11] Patent Number: **Des. 357,899**

Hopkins et al.

[45] Date of Patent: **\*\* May 2, 1995**

[54] **AUTOMOTIVE ELECTRICAL WIRING  
JUNCTION BOX**

4,280,633 7/1981 Boros ..... 220/241

[75] Inventors: **Evan L. Hopkins; E. Leon Hopkins,**  
both of Emporia, Kans.

[73] Assignee: **Hopkins Manufacturing Corporation,**  
Emporia, Kans.

[\*\*] Term: **14 Years**

[21] Appl. No.: **18,675**

[22] Filed: **Feb. 14, 1994**

[52] U.S. Cl. .... **D13/152**

[58] Field of Search ..... **D13/152, 184; D8/353;**  
439/34, 142; 361/641; 174/48, 49, 65 R, 66, 67;  
220/3.2, 3.3, 3.8, 4.02, 242

[56] **References Cited**

### U.S. PATENT DOCUMENTS

3,137,407 6/1964 Mackiewicz ..... 220/242  
4,197,959 4/1980 Kramer ..... 220/242

### OTHER PUBLICATIONS

P. 88, Bass Pro Shop Catalog.

*Primary Examiner*—Joel Sincavage

*Attorney, Agent, or Firm*—Hovey, Williams, Timmons &  
Collins

### [57] CLAIM

The ornamental design for an automotive electric wiring junction box, as shown and described.

### DESCRIPTION

FIG. 1 is a top, right, front perspective view of a wiring junction box embodying our novel design in accordance with the present invention;

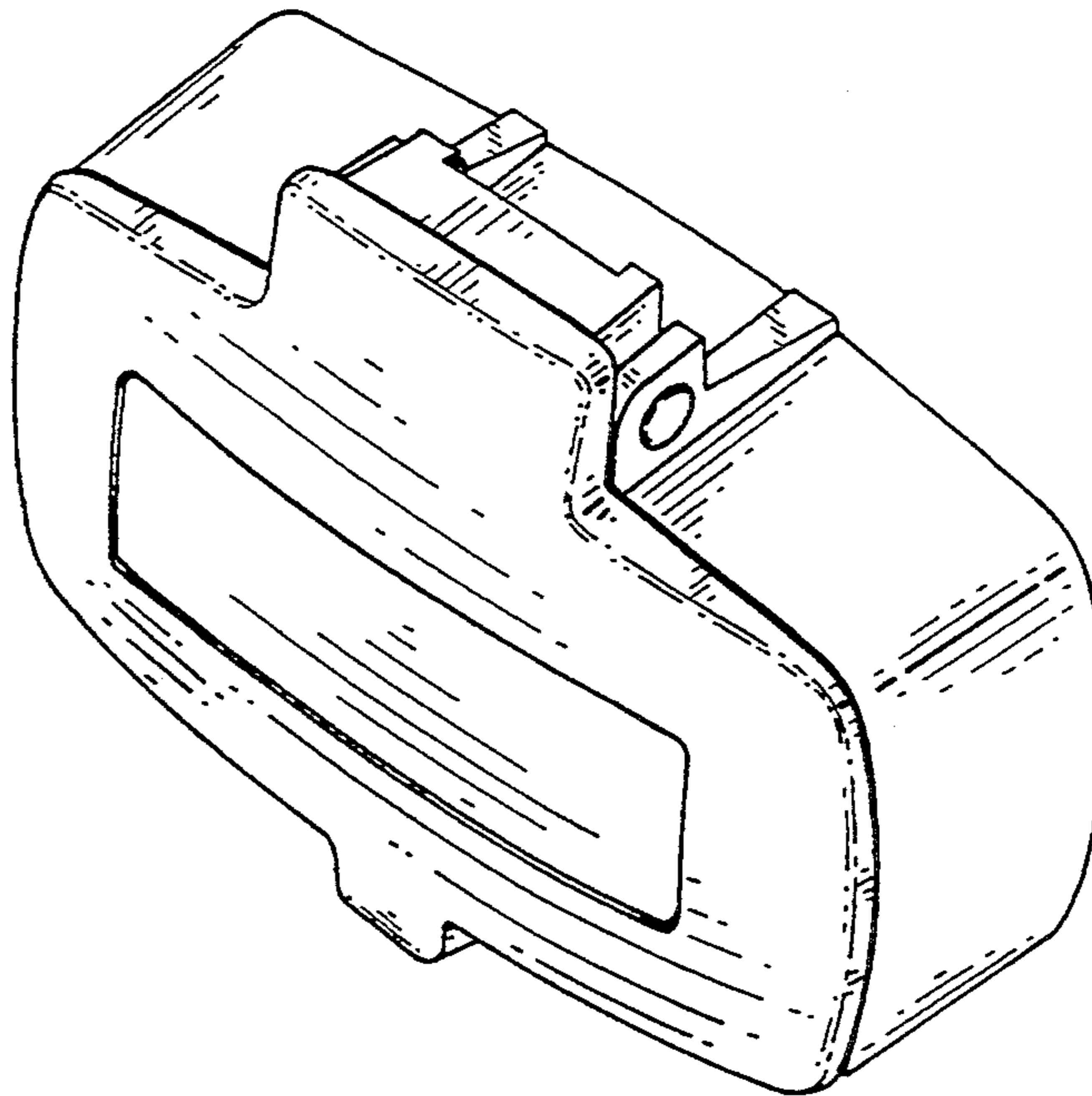
FIG. 2 is a front elevational view thereof;

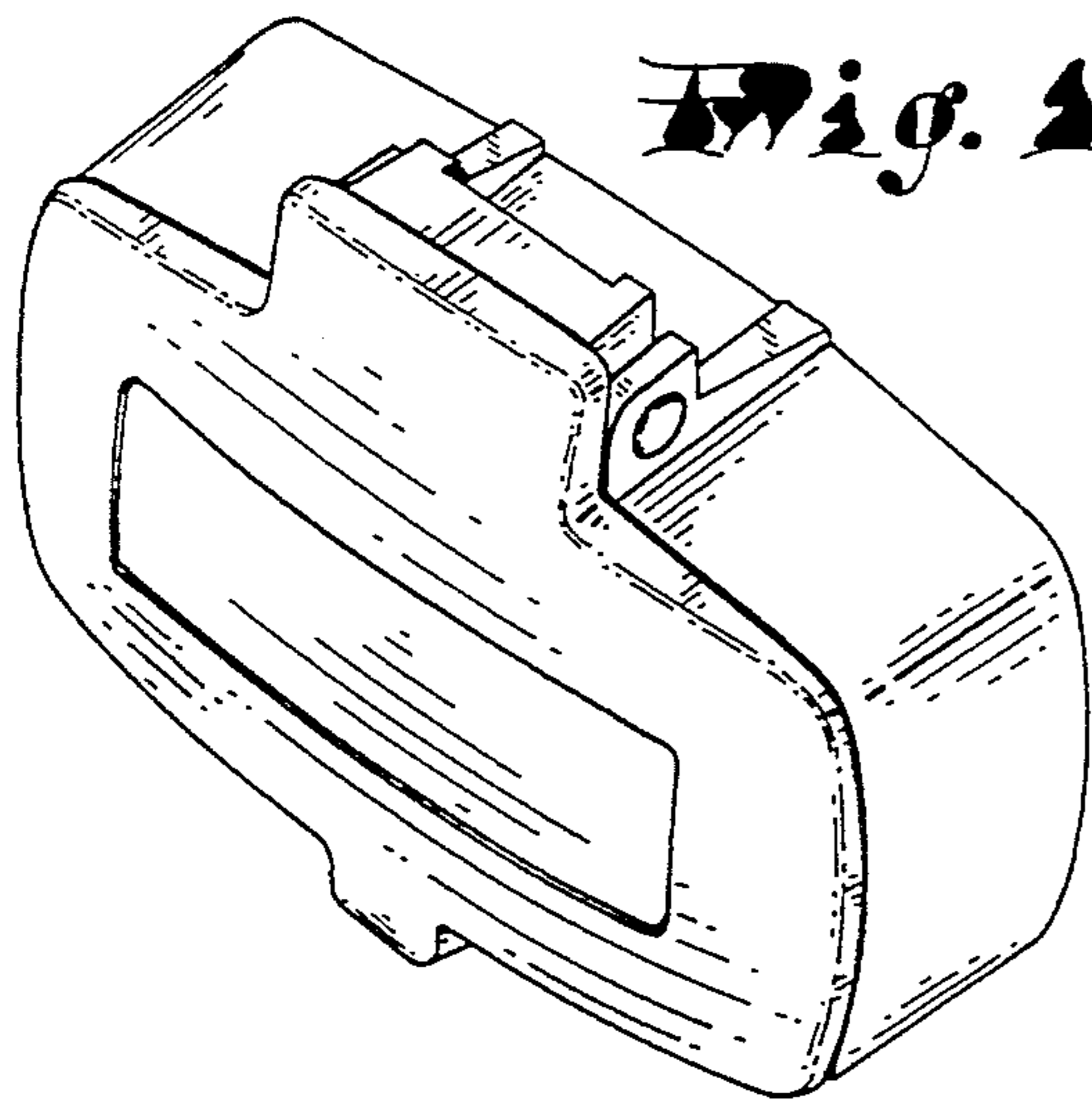
FIG. 3 is a bottom plan view thereof;

FIG. 4 is a side elevational view thereof, the opposite side being a mirror image except for the hinge pintle;

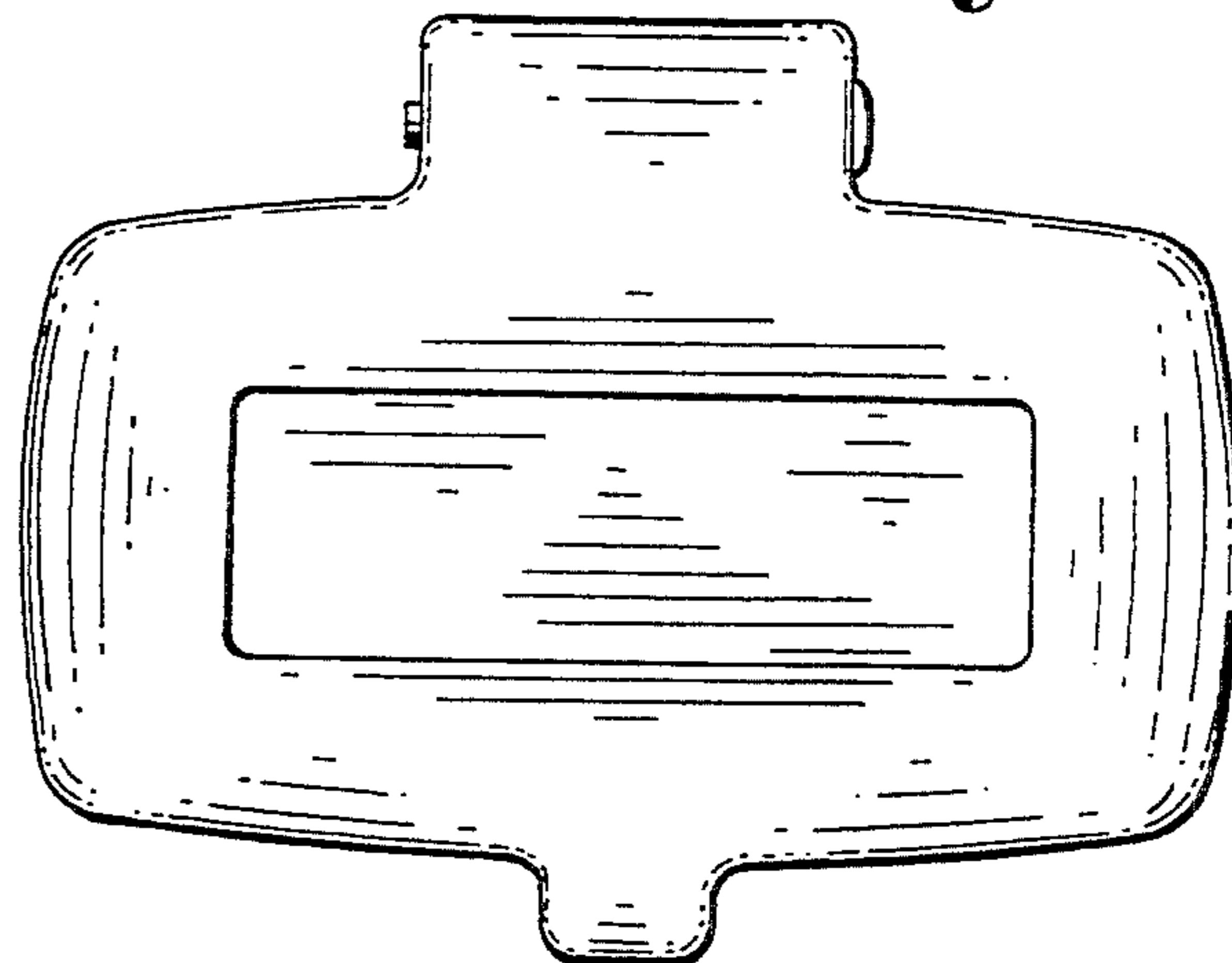
FIG. 5 is a top plan view thereof; and,

FIG. 6 is a rear elevational view thereof.

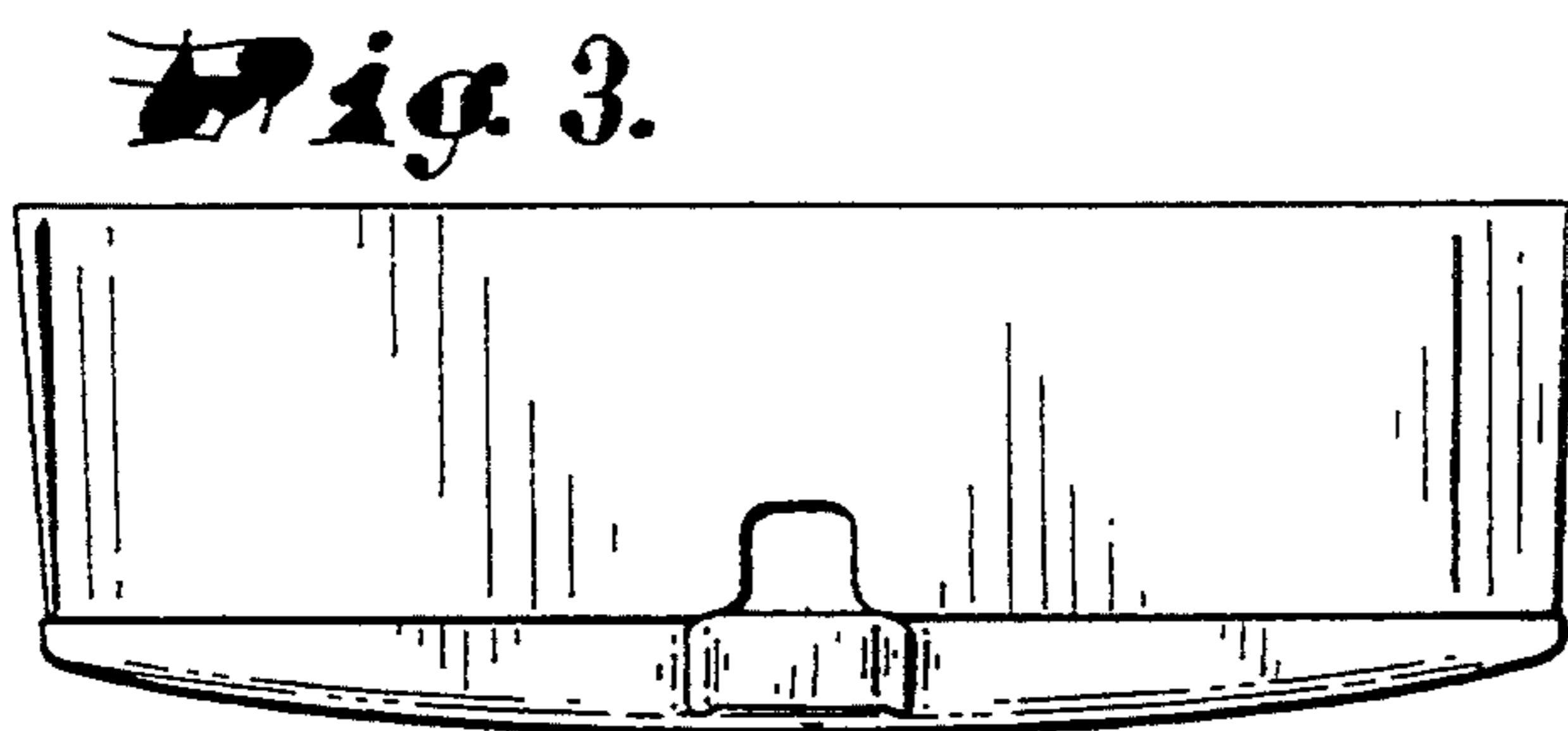




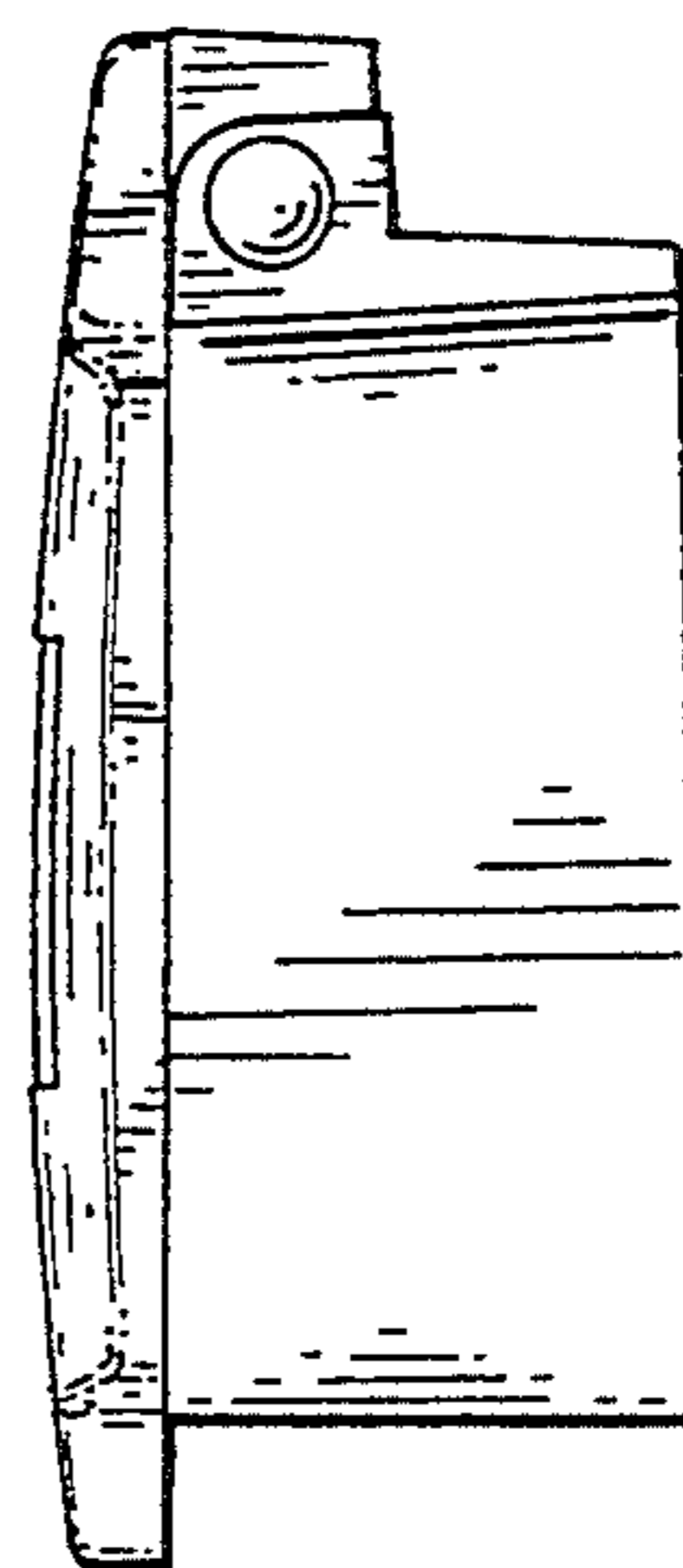
*Fig. 1.*



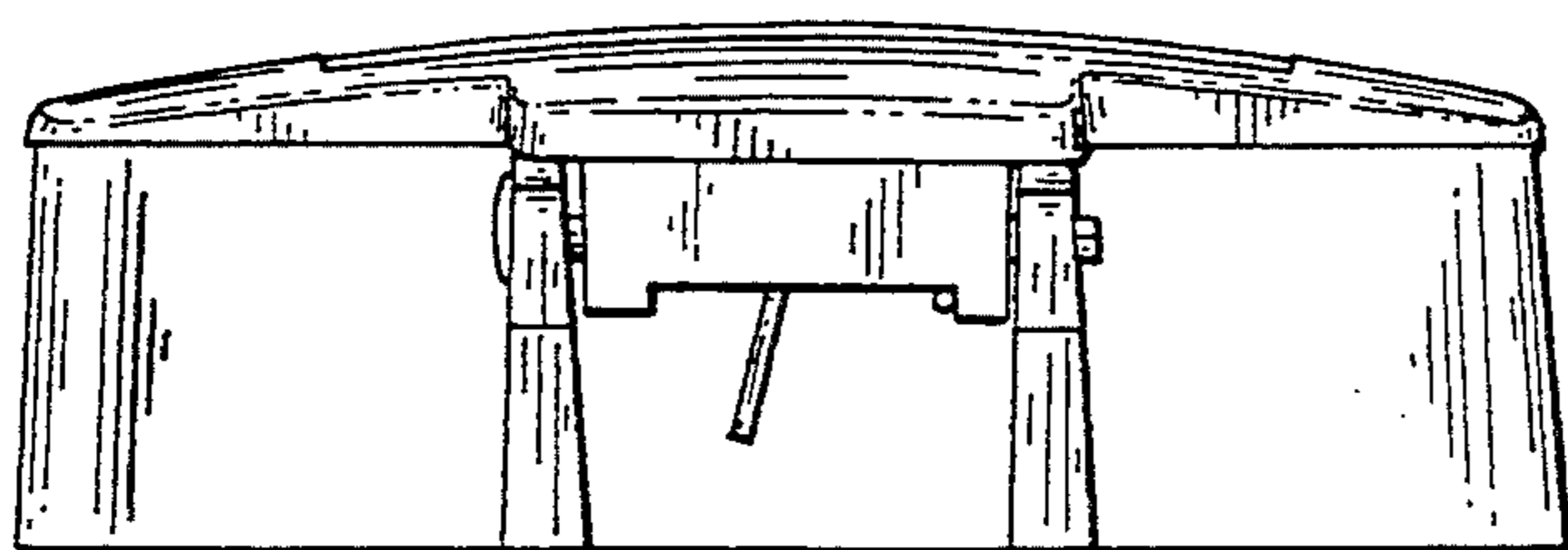
*Fig. 2.*



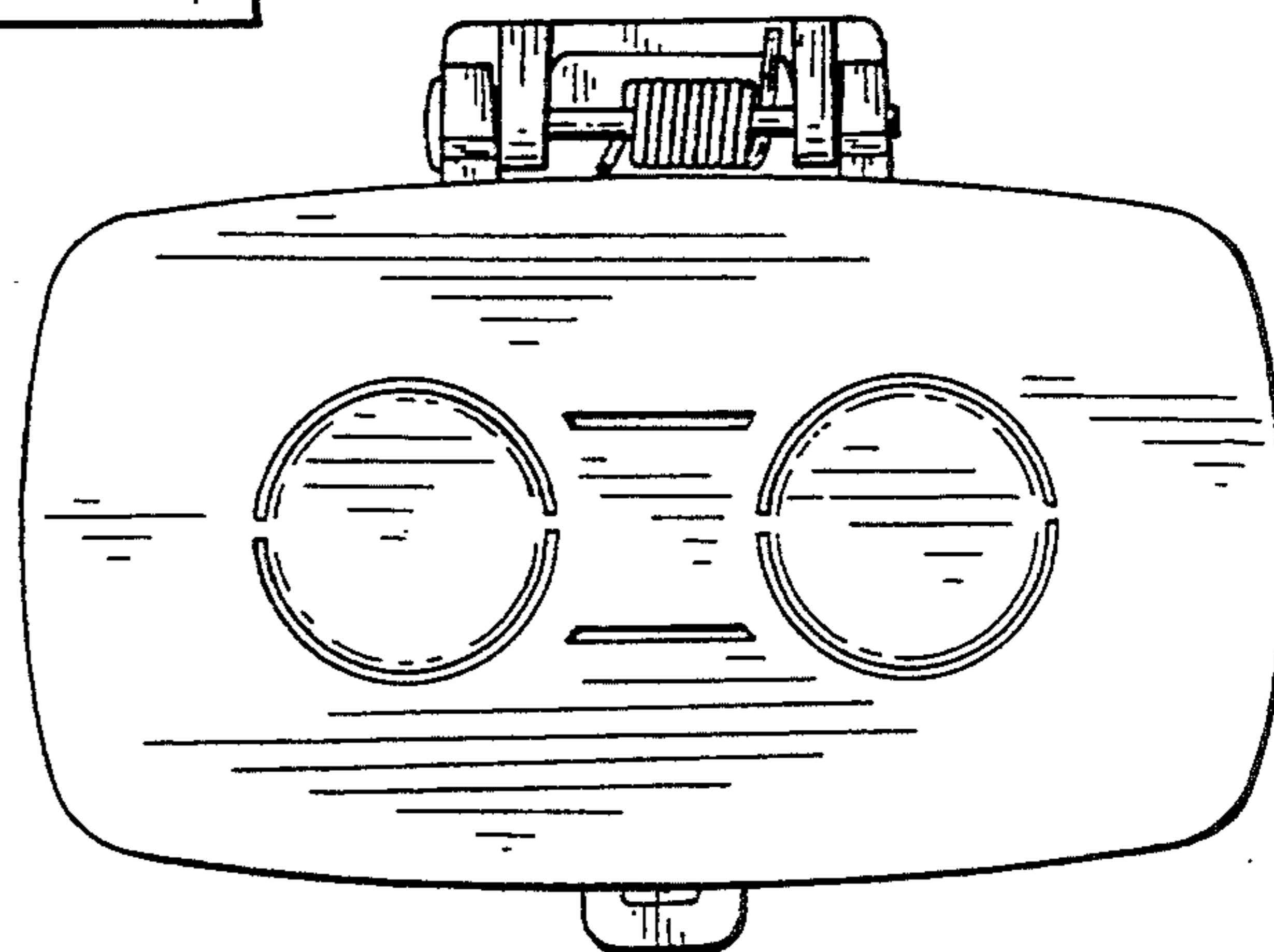
*Fig. 3.*



*Fig. 4.*



*Fig. 5.*



*Fig. 6.*