



US00D357894S

United States Patent [19]

Arnold et al.

[11] Patent Number: **Des. 357,894**

[45] Date of Patent: **** May 2, 1995**

[54] HELICOPTER

[75] Inventors: **George E. Arnold; Dennis E. Gregory**, both of Bedford; **Robert G. Anderson**, Saginaw; **Alan W. Myers**, Burleson, all of Tex.

[73] Assignee: **Bell Helicopter Textron Inc.**, Fort Worth, Tex.

[**] Term: **14 Years**

[21] Appl. No.: **13,174**

[22] Filed: **Sep. 20, 1993**

[52] U.S. Cl. **D12/327; D12/328**

[58] Field of Search **D12/319, 326, 327, 328, D12/329; 244/17.11, 17.19, 17.21**

[56] **References Cited**

U.S. PATENT DOCUMENTS

D. 239,710 4/1976 Garrison D12/327

D. 242,338 11/1976 Gilday D12/327
4,809,930 3/1989 Ballerio et al. 244/17.11
5,093,677 3/1992 McMahon 244/17.11
5,209,430 5/1993 Wilson et al. 244/17.11

Primary Examiner—Kay H. Chin

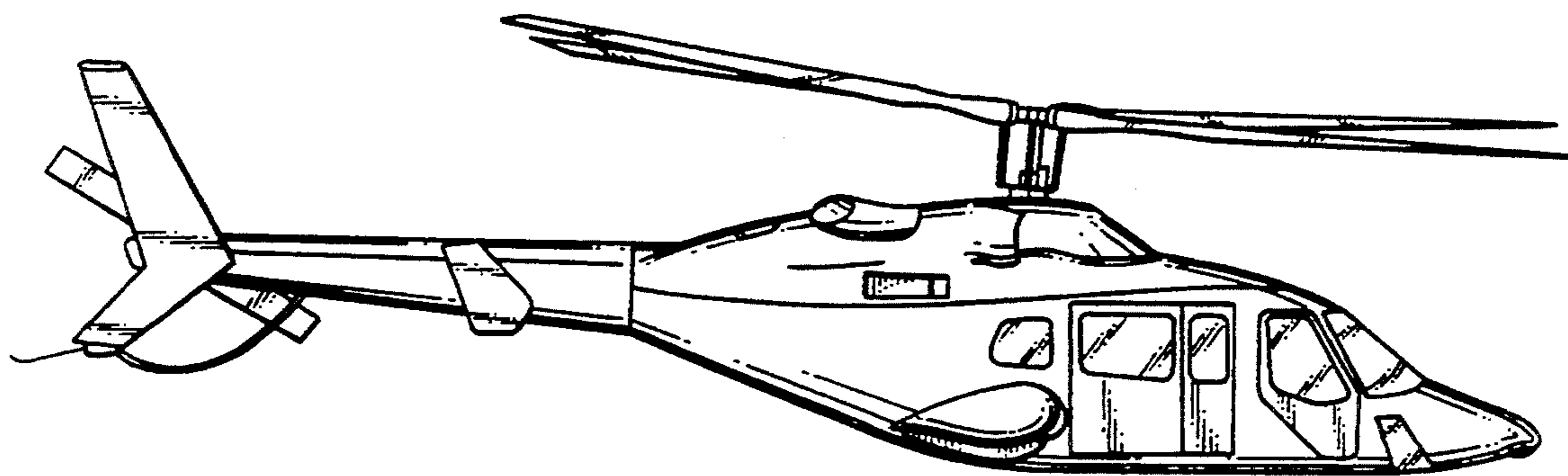
Attorney, Agent, or Firm—Robert A. Felsman; Mark D. Perdue

[57] CLAIM

The ornamental design for a helicopter, as shown and described.

DESCRIPTION

FIG. 1 is a left side elevational view of the helicopter showing our new design;
FIG. 2 is a right side elevational view thereof;
FIG. 3 is a front elevational view thereof;
FIG. 4 is a rear elevational view thereof;
FIG. 5 is a top plan view thereof; and,
FIG. 6 is a bottom plan view thereof.



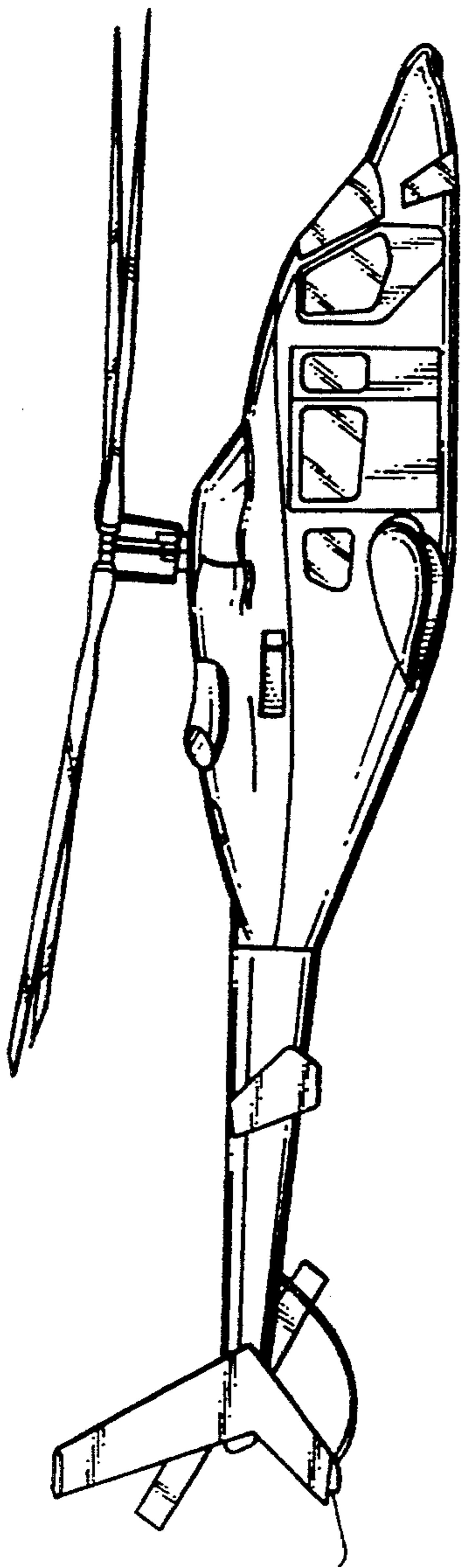


FIG. 1

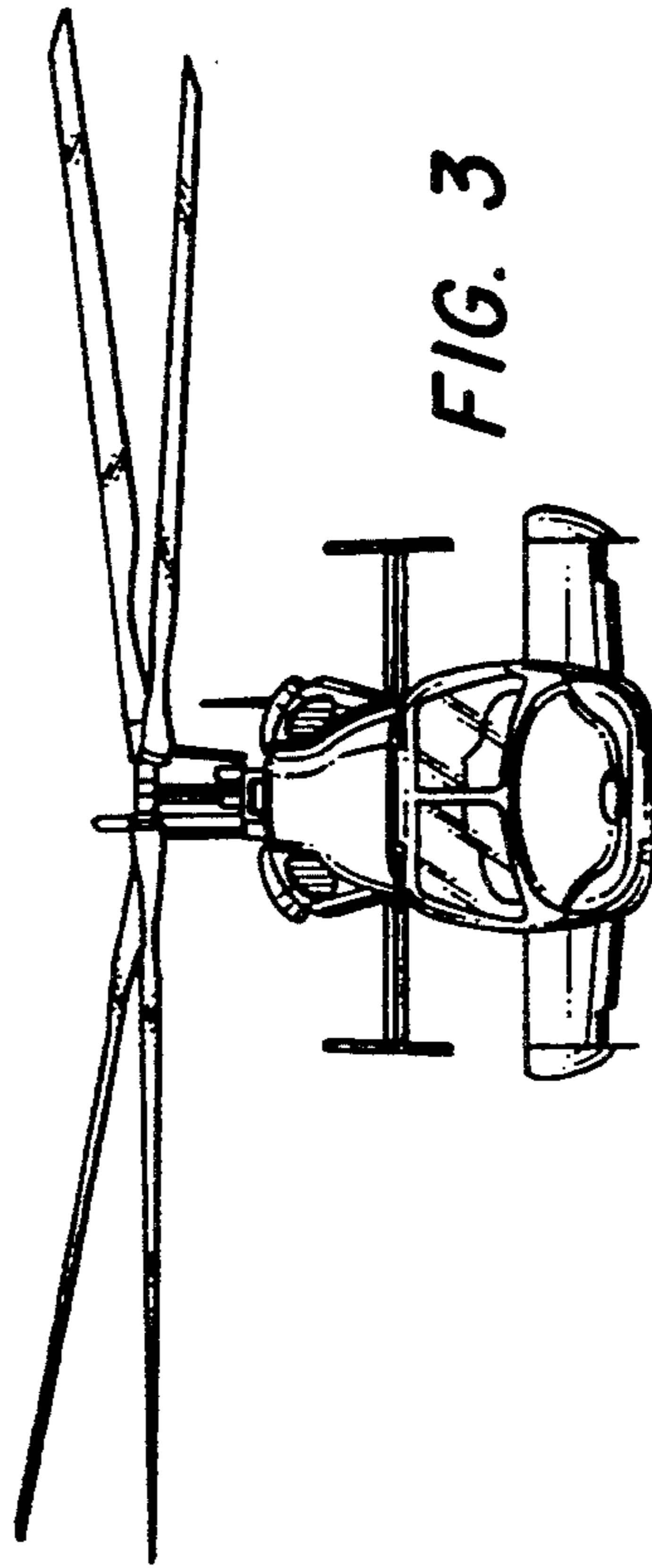


FIG. 3

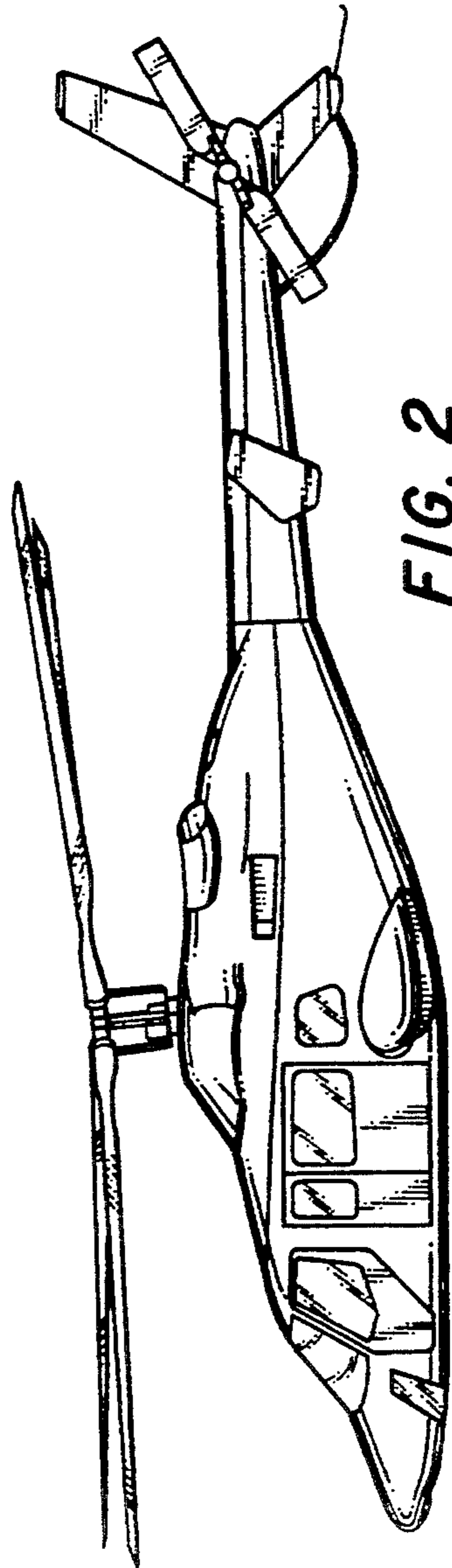


FIG. 2

