



US00D357889S

**United States Patent** [19]  
**Jones**

[11] **Patent Number: Des. 357,889**  
[45] **Date of Patent: \*\* May 2, 1995**

[54] **INCLINE BICYCLE**  
[76] Inventor: **Eric Jones**, 130 Corey La.,  
Ortonville, Mich. 48462  
[\*\*] Term: **14 Years**  
[21] Appl. No.: **18,763**  
[22] Filed: **Feb. 15, 1994**  
[52] U.S. Cl. .... **D12/111**  
[58] Field of Search ..... **D12/111; 280/281.1,**  
**280/288.1-288.3**

4,976,451 12/1990 Kamenov ..... 280/288.1

*Primary Examiner*—James M. Gandy  
*Assistant Examiner*—M. Brown  
*Attorney, Agent, or Firm*—Dykema Gossett

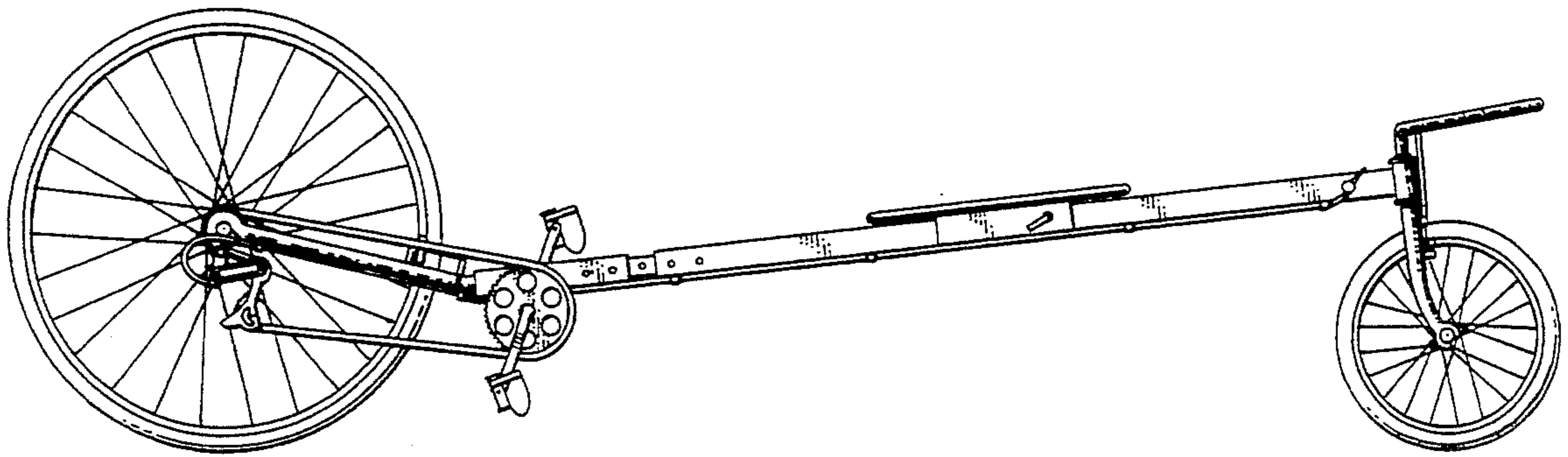
[57] **CLAIM**

The ornamental design for an incline bicycle, as shown and described.

**DESCRIPTION**

FIG. 1 is a side elevation view of the inventive incline bicycle;  
FIG. 2 is a top plan view of the inventive incline bicycle;  
FIG. 3 is a bottom plan view of the inventive incline bicycle;  
FIG. 4 is a front elevation view of the inventive incline bicycle; and,  
FIG. 5 is a rear elevation view of the inventive incline bicycle.

[56] **References Cited**  
**U.S. PATENT DOCUMENTS**  
D. 327,040 6/1992 Brummer ..... D12/111  
4,592,563 6/1986 Dean et al. .... 280/288.1  
4,618,160 10/1986 McElfresh ..... 280/288.1  
4,647,060 3/1987 Tomkinson ..... 280/288.1  
4,700,962 10/1987 Salmon ..... 280/288.1  
4,773,663 9/1988 Sawyer et al. .... 280/288.1



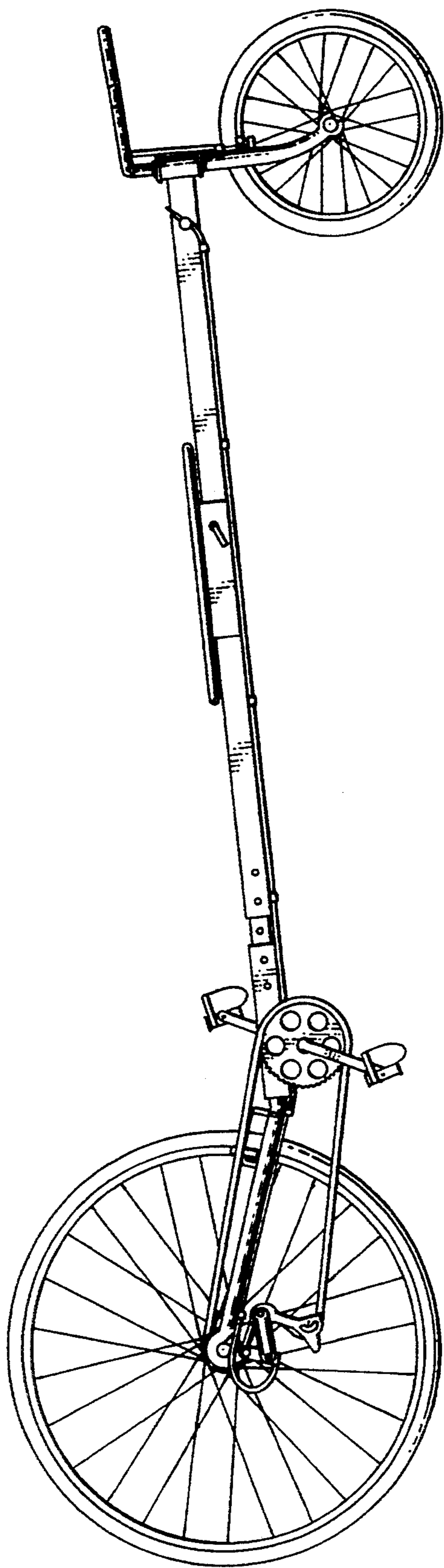


FIG. 1

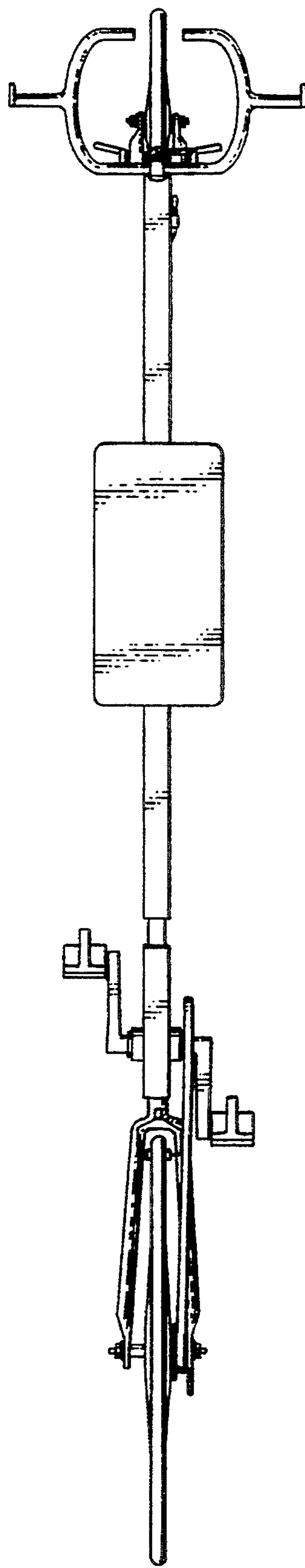


FIG. 2

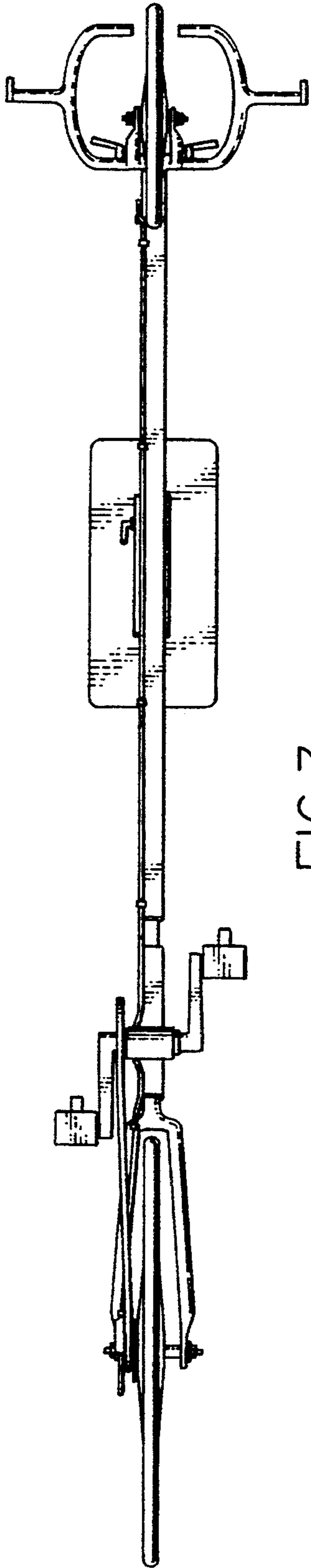


FIG. 3

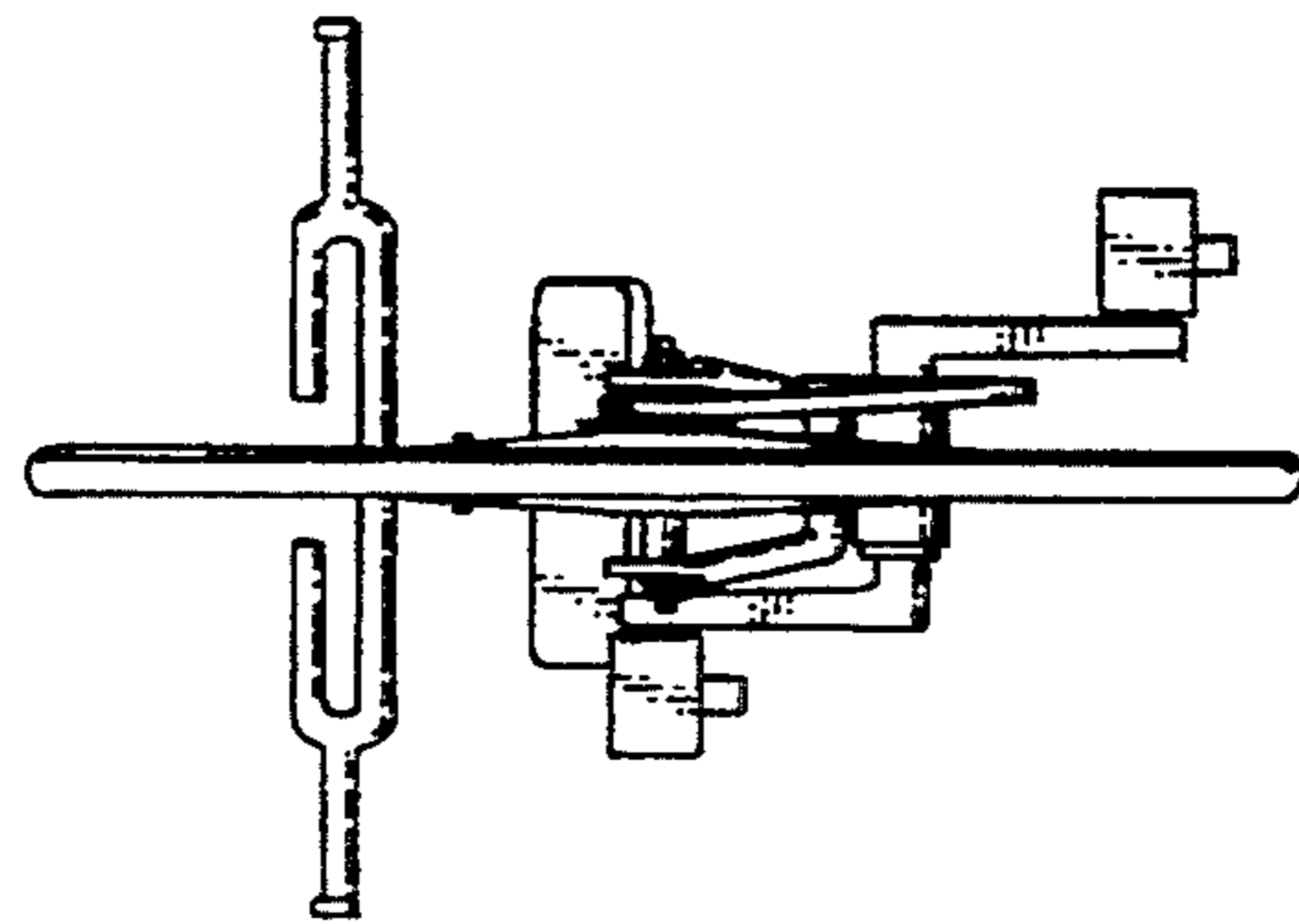


FIG. 5

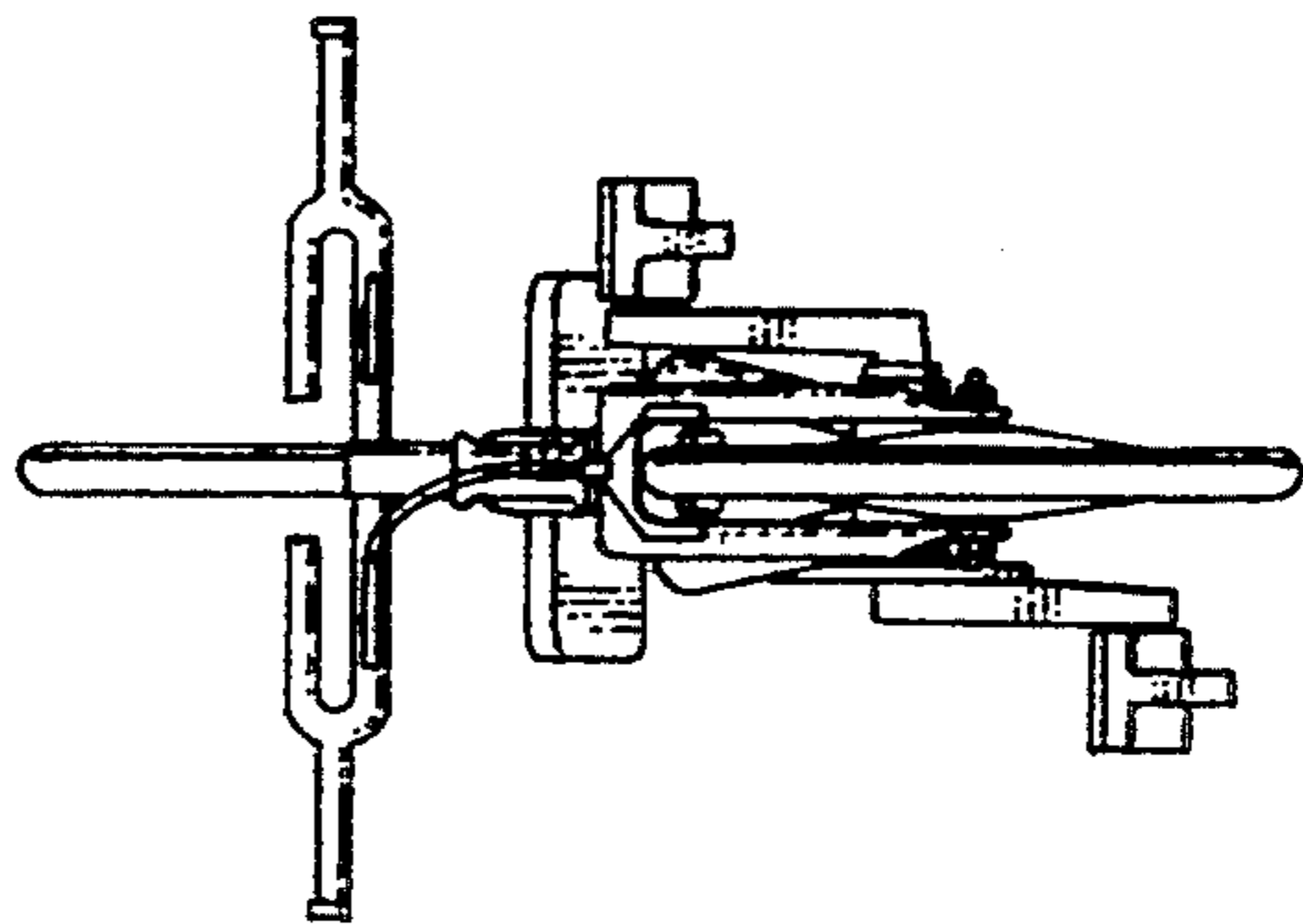


FIG. 4