



US00D357886S

# United States Patent [19]

[11] Patent Number: **Des. 357,886**

Fuller

[45] Date of Patent: **\*\* May 2, 1995**

[54] **TRANSPARENT MULTIPLE TUBULAR FLOWER BUD VASE**

D. 346,763 5/1994 Smith ..... D11/144

[76] Inventor: **Walter D. Fuller**, 6421 NE. 18th Ave., Ft. Lauderdale, Fla. 33334

[\*\*] Term: **14 Years**

[21] Appl. No.: **5,031**

[22] Filed: **Feb. 19, 1993**

[52] U.S. Cl. .... **D11/152; D19/85**

[58] Field of Search ..... **D11/152, 148, 146, 147; D19/85, 81, 77, 95; D24/130; D6/457**

[56] **References Cited**

### U.S. PATENT DOCUMENTS

- D. 121,485 7/1940 Spánel ..... D6/457
- D. 151,343 10/1948 Greger ..... D19/75
- D. 152,655 2/1949 Rossell ..... D11/147
- D. 245,368 8/1977 Mueller ..... D26/105
- D. 325,396 4/1992 Nascher ..... D19/85
- D. 337,072 7/1993 Horvath ..... D11/146

### OTHER PUBLICATIONS

- Better Homes & Gardens, 1973 (Mar.), p. 187 (top right).
- Habitat Inc., Umbrella Stands & Racks, Sep. 11, 1, 1966, p. 4 (lower left corner).
- Engineered Plastics, Inc., Jul. 1981, item #1101, p. 7.
- Engineered Plastics, Inc., Jul. 1981, item #3009, p. 4.

*Primary Examiner*—Alan P. Douglas  
*Assistant Examiner*—Cathron B. Matta

### [57] CLAIM

The ornamental design for a transparent multiple tubular flower bud vase, as shown and described.

### DESCRIPTION

FIG. 1 is a perspective view of a transparent multiple tubular flower bud vase showing my new design; FIG. 2 is a front elevation; and, FIG. 3 is a top plan view.

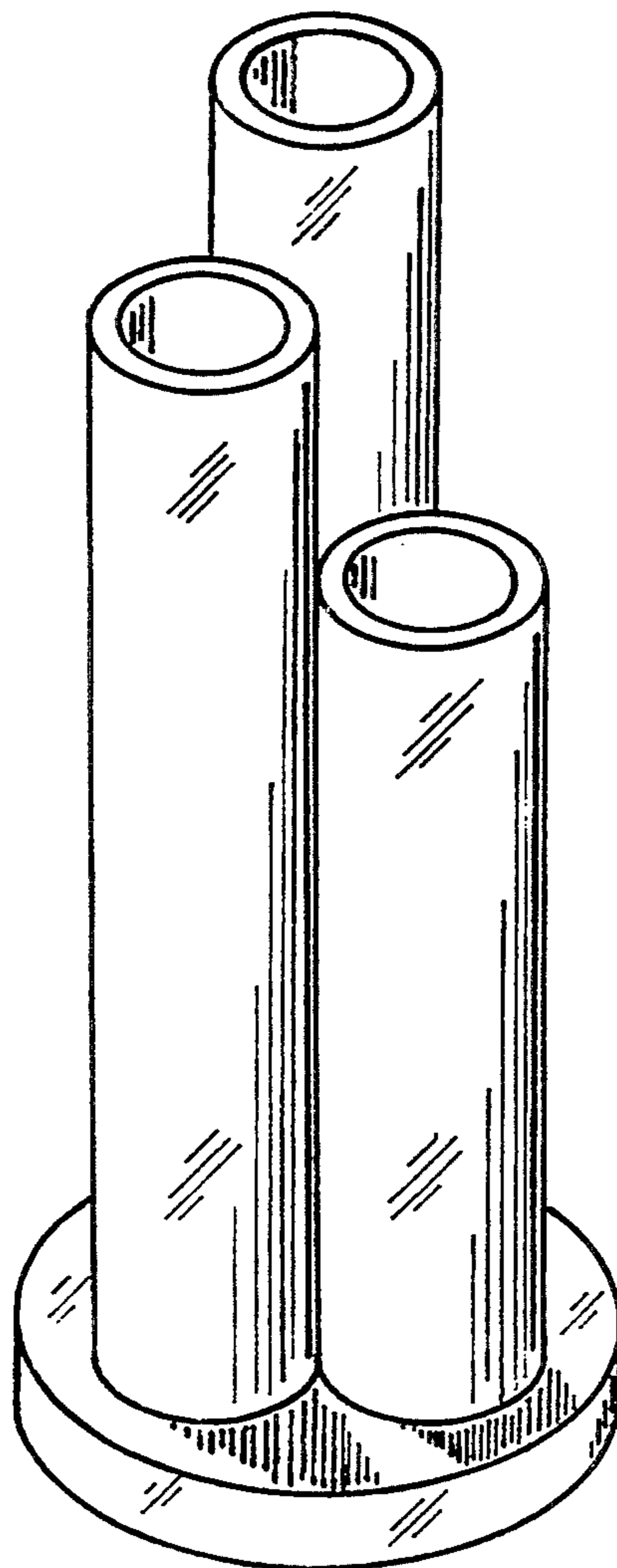


FIG. 1

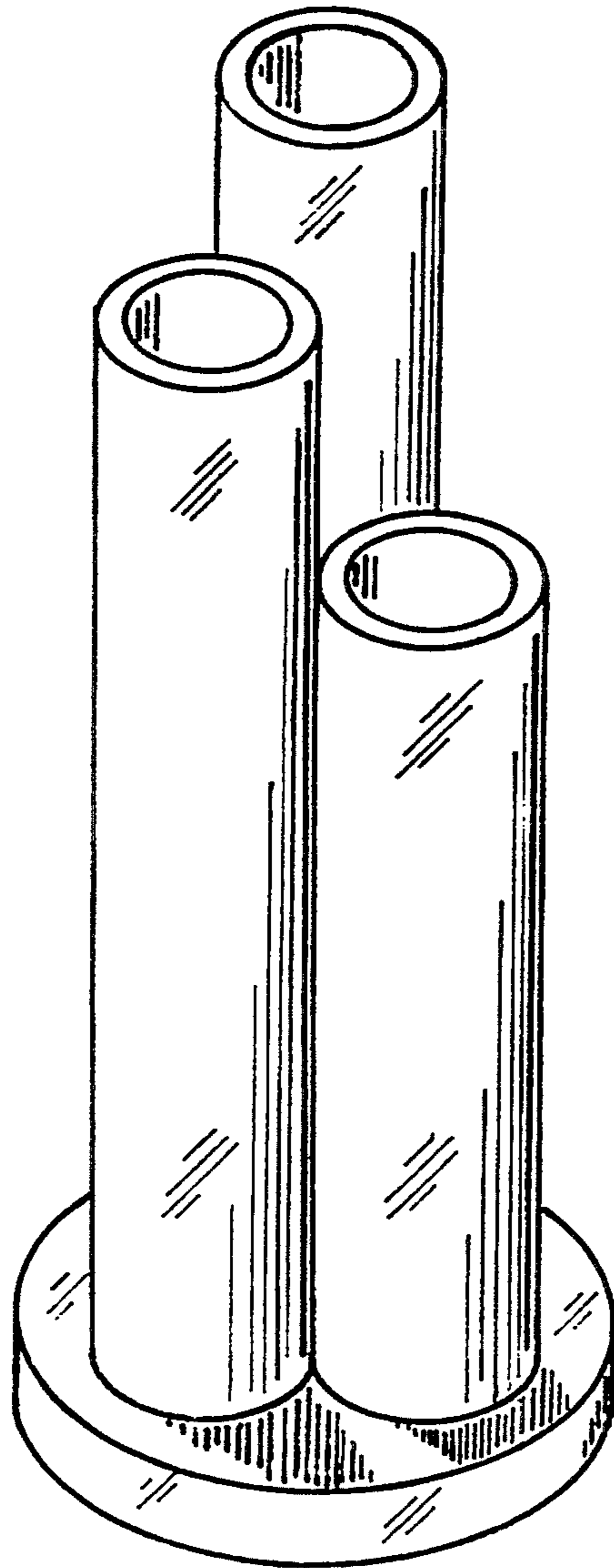


FIG. 3

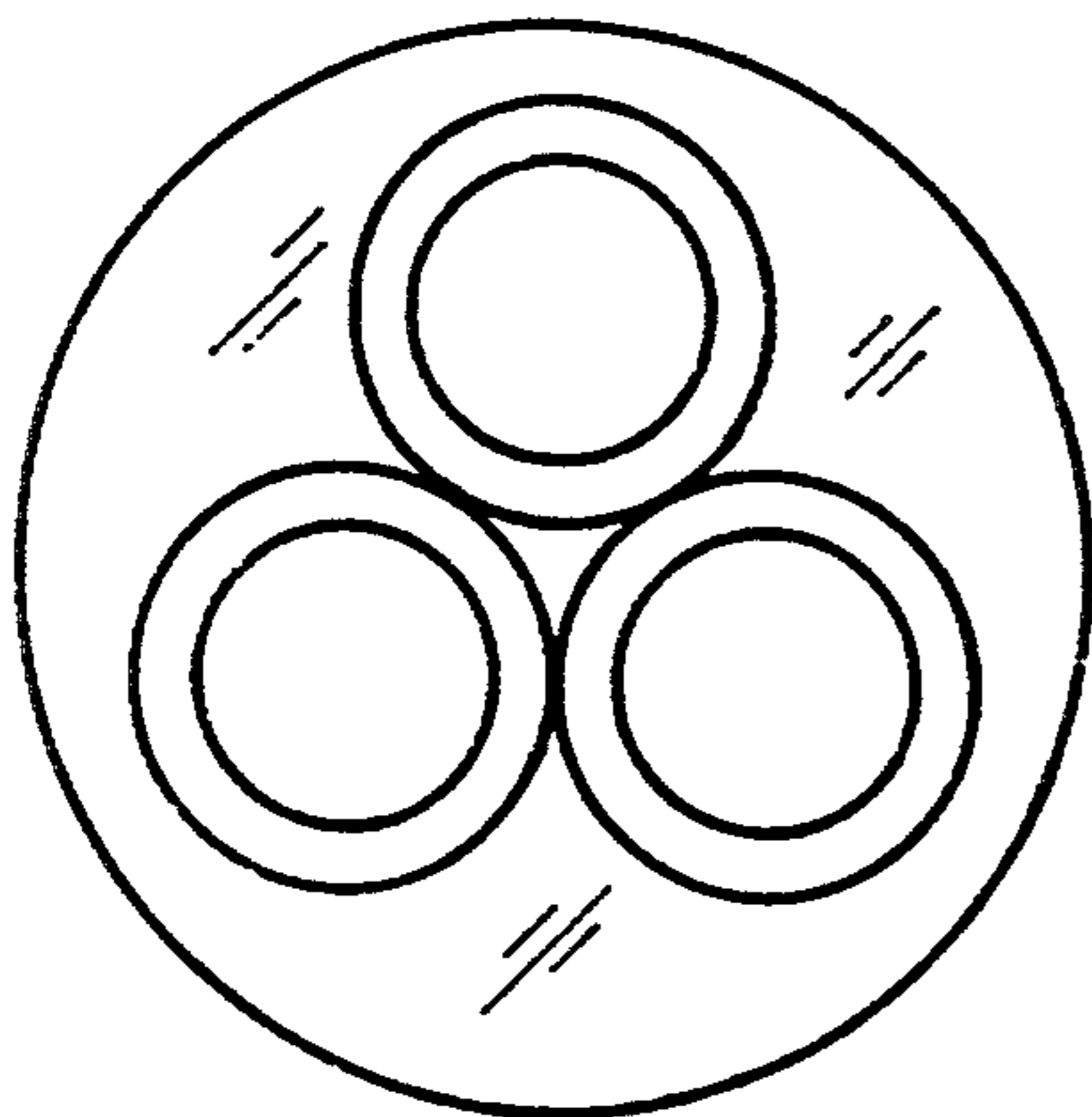


FIG. 2

