



US00D357883S

# United States Patent [19]

[11] Patent Number: **Des. 357,883**

**Krauss**

[45] Date of Patent: **\*\* May 2, 1995**

[54] **CLOCK HAND**

### FOREIGN PATENT DOCUMENTS

[76] Inventor: **Kenneth W. Krauss**, 19308 NE. 25 Ave. #193, Aventura, Fla. 33180

3457 2/1891 Switzerland ..... 368/238

*Primary Examiner*—Nelson C. Holtje

[\*\*] Term: **14 Years**

### [57] CLAIM

[21] Appl. No.: **19,642**

The ornamental design for a clock hand, as shown and described.

[22] Filed: **Mar. 8, 1994**

### DESCRIPTION

[52] U.S. Cl. .... **D10/127; D10/122**

[58] Field of Search ..... D10/1-40, D10/122-126; 368/228-229, 231, 238

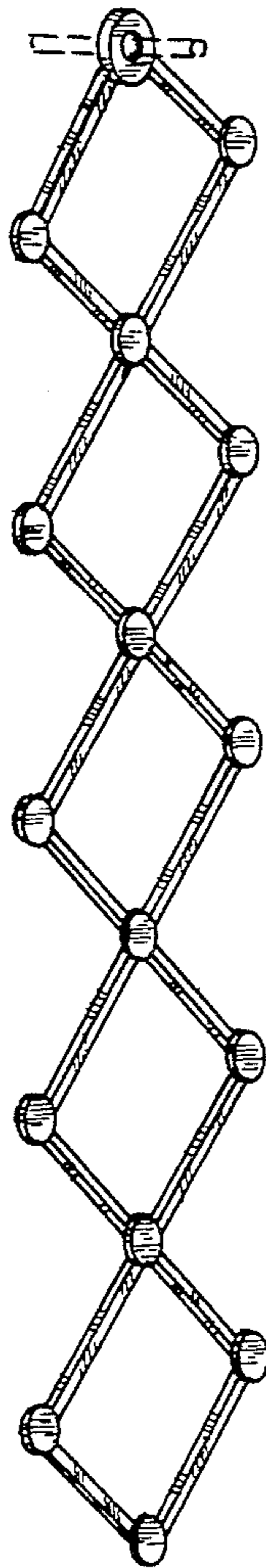
FIG. 1 is a perspective view of a clock hand; FIG. 2 is a front elevation view of a clock hand; FIG. 3 is a side elevation view of the clock hand of FIG. 2; FIG. 4 is a top plan view of the clock hand of FIG. 2; FIG. 5 is a perspective view of a collapsed form of a clock hand; and, FIG. 6 is a bottom plan view of the clock hand of FIG. 2.

### [56] References Cited

#### U.S. PATENT DOCUMENTS

3,952,500	4/1976	Tomura	368/229
4,601,585	7/1986	Farley	368/238 X
5,105,397	4/1992	Whitney	368/228 X
5,172,350	12/1992	Walen	368/238
5,280,461	1/1994	Brick	368/228

The broken-line showings of FIGS. 1 and 5 are for illustrative purposes only and form no part of the claimed design.



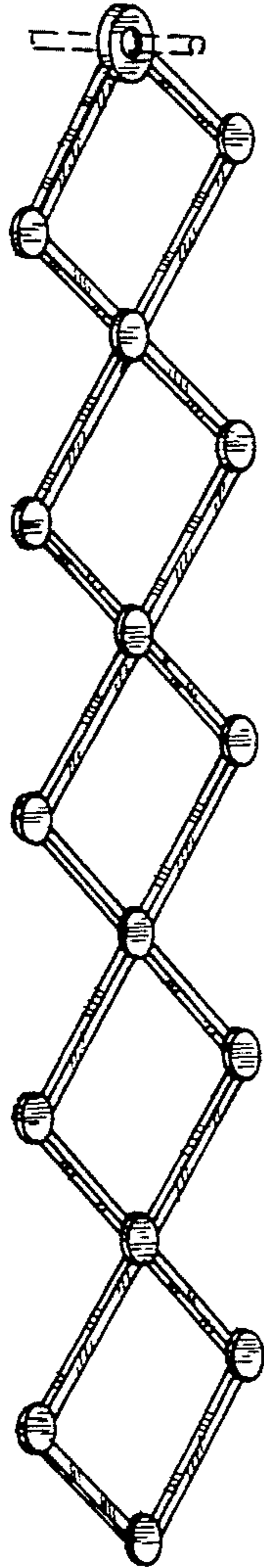


FIG. 1

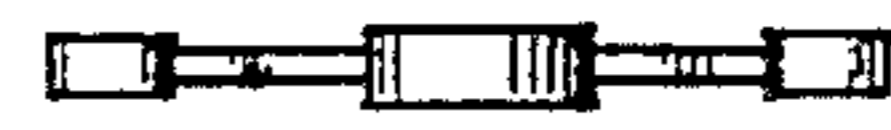


FIG. 4

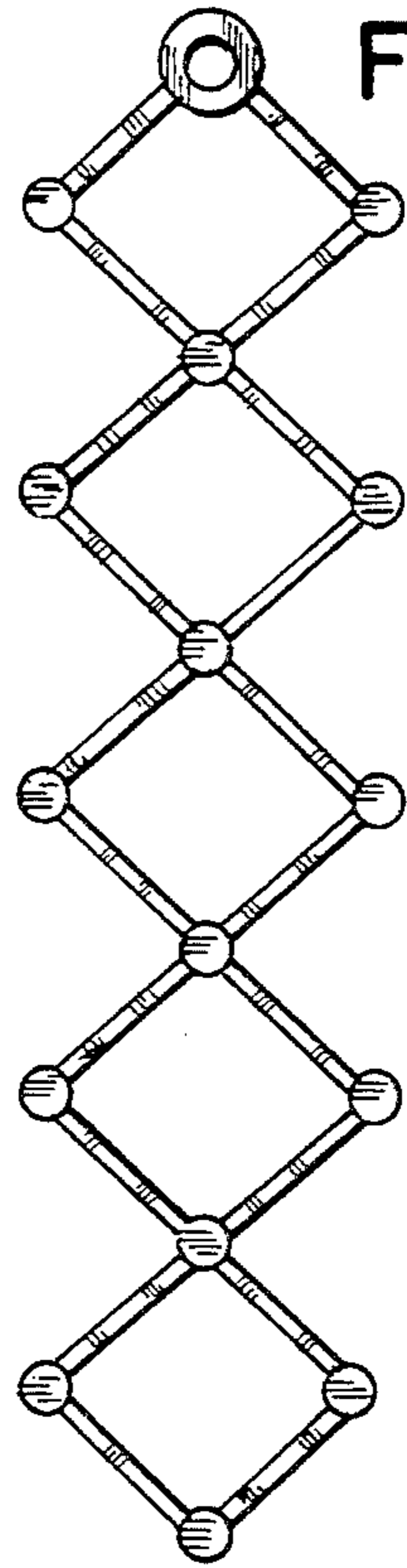


FIG. 2

FIG. 3

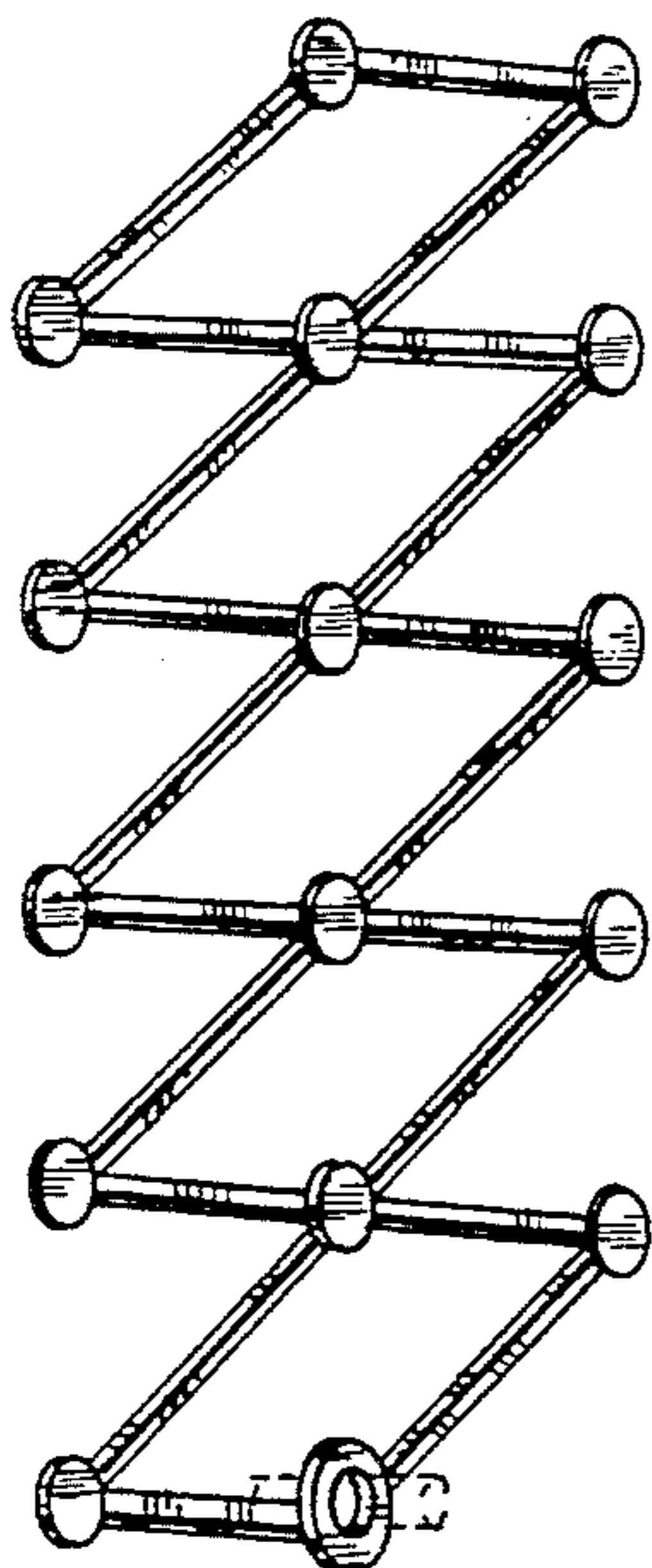


FIG. 5



FIG. 6