



US00D357879S

United States Patent [19]
Ueda

[11] **Patent Number: Des. 357,879**
[45] **Date of Patent: ** May 2, 1995**

- [54] **SPEEDOMETER FOR A BICYCLE**
- [75] **Inventor: Takashi Ueda, Izumi, Japan**
- [73] **Assignee: Cateye Co., Ltd., Osaka, Japan**
- [**] **Term: 14 Years**
- [21] **Appl. No.: 19,165**
- [22] **Filed: Feb. 22, 1994**
- [30] **Foreign Application Priority Data**
 - Aug. 31, 1993 [JP] Japan 5-26561
- [52] **U.S. Cl. D10/98**
- [58] **Field of Search D10/98; 235/95 R, 95 A, 235/95 B, 95 C, 196, 197; 324/160-180**
- [56] **References Cited**
 - U.S. PATENT DOCUMENTS**
 - D. 342,034 12/1993 Huang D10/98
 - D. 342,211 12/1993 Huang D10/98

D. 342,911 1/1994 Ueda D10/98

Primary Examiner—Alan P. Douglas
Assistant Examiner—Antoine D. Davis
Attorney, Agent, or Firm—Allegretti & Witcoff, Ltd.

[57] **CLAIM**

The ornamental design for a speedometer for a bicycle, as shown and described.

DESCRIPTION

FIG. 1 is a front view of a speedometer for a bicycle showing my new design;
FIG. 2 is a rear view thereof;
FIG. 3 is a top plan view thereof;
FIG. 4 is a bottom plan view thereof;
FIG. 5 is a right side view thereof the left side view being a mirror image;
FIG. 6 is a perspective view thereof; and,
FIG. 7 is a front view thereof showing the display in an on-state.

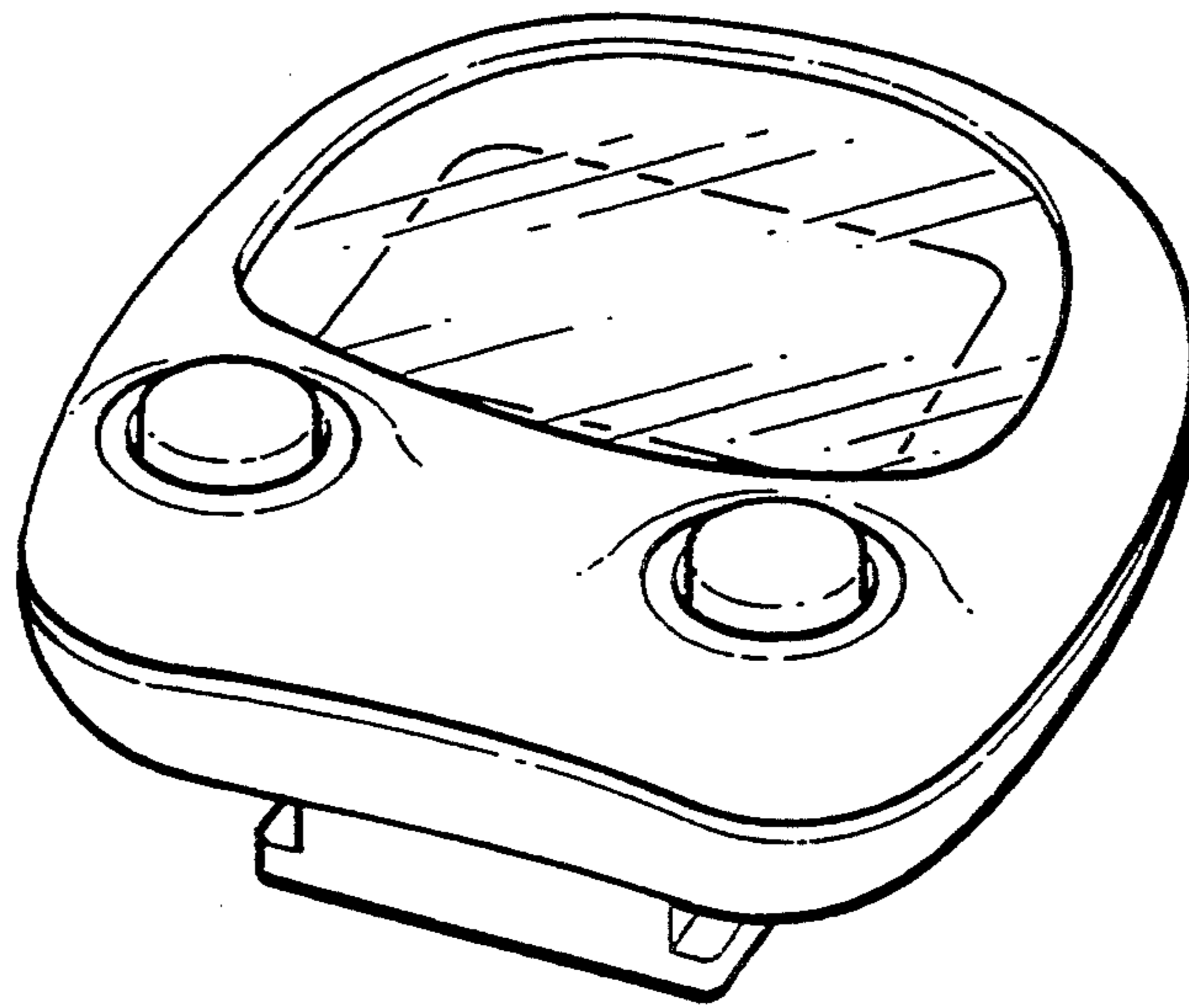


FIG. 1

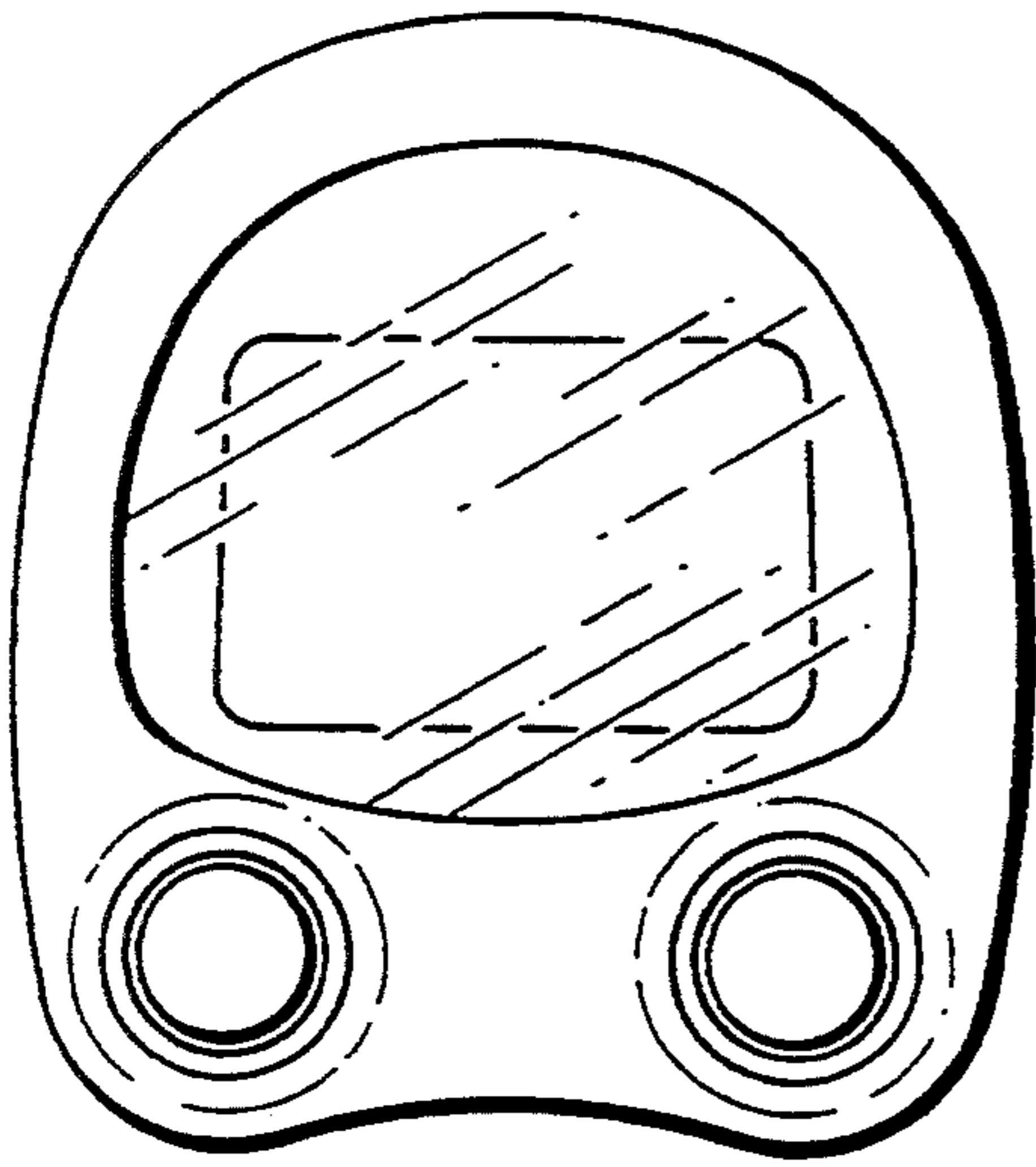


FIG. 2

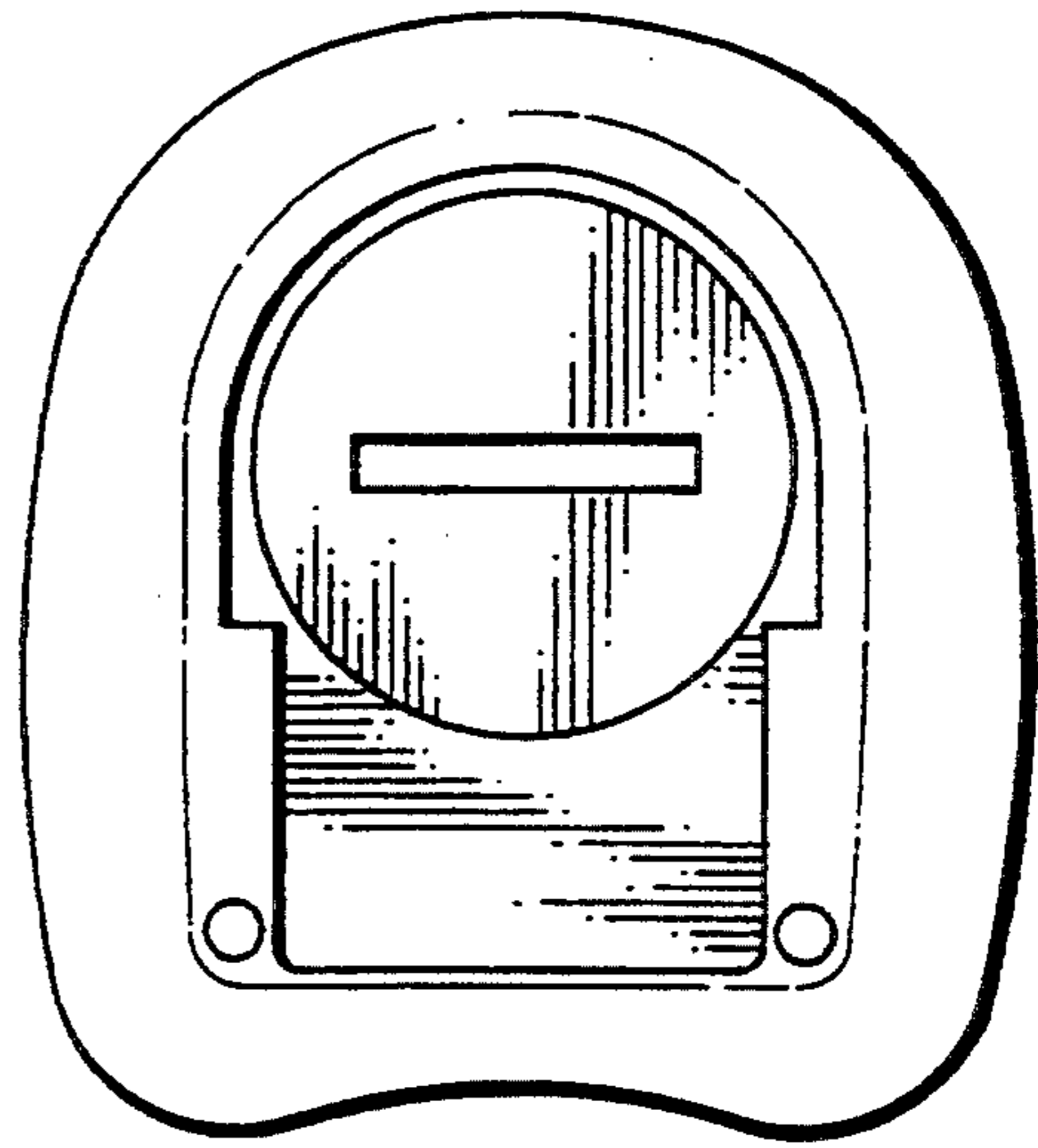


FIG. 5

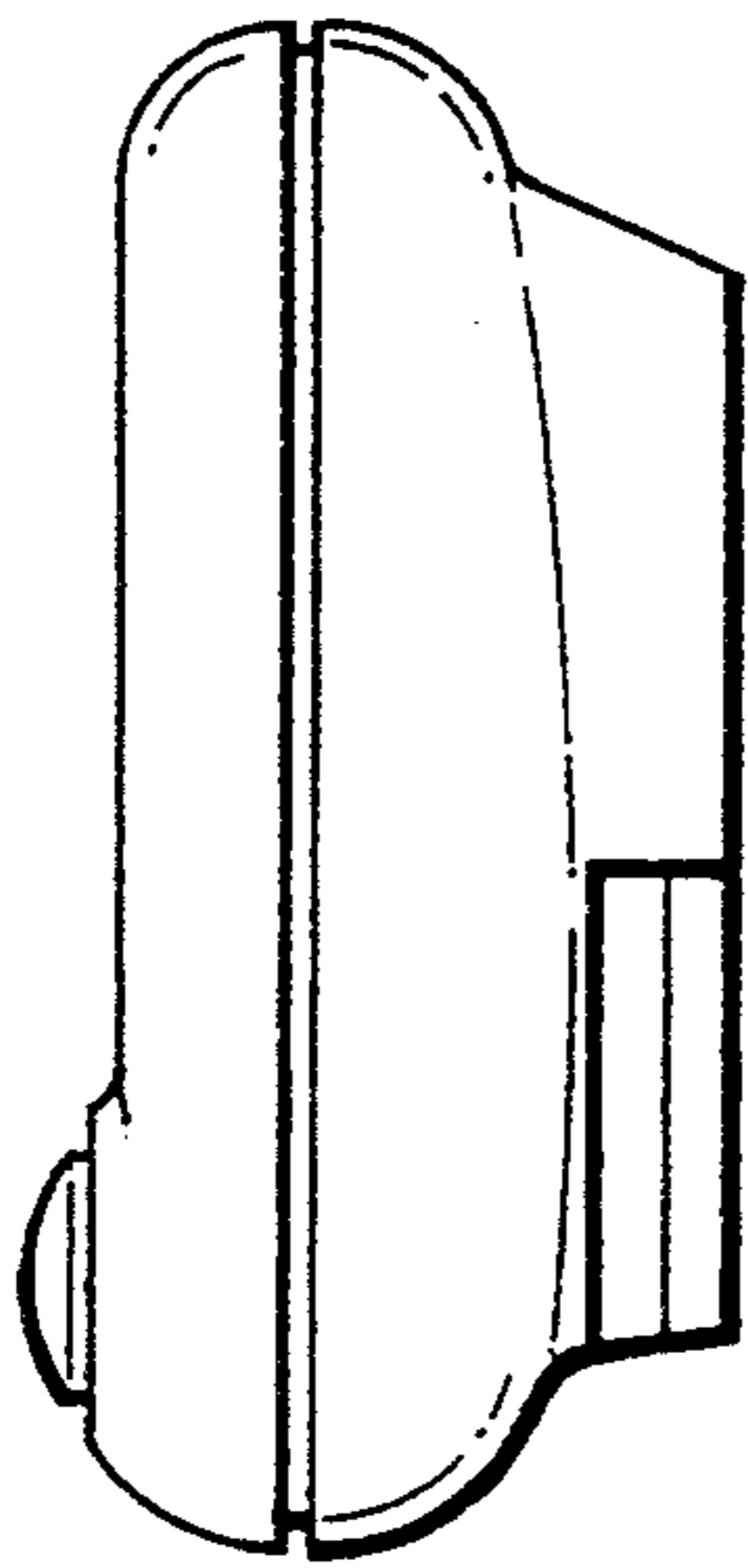


FIG. 3

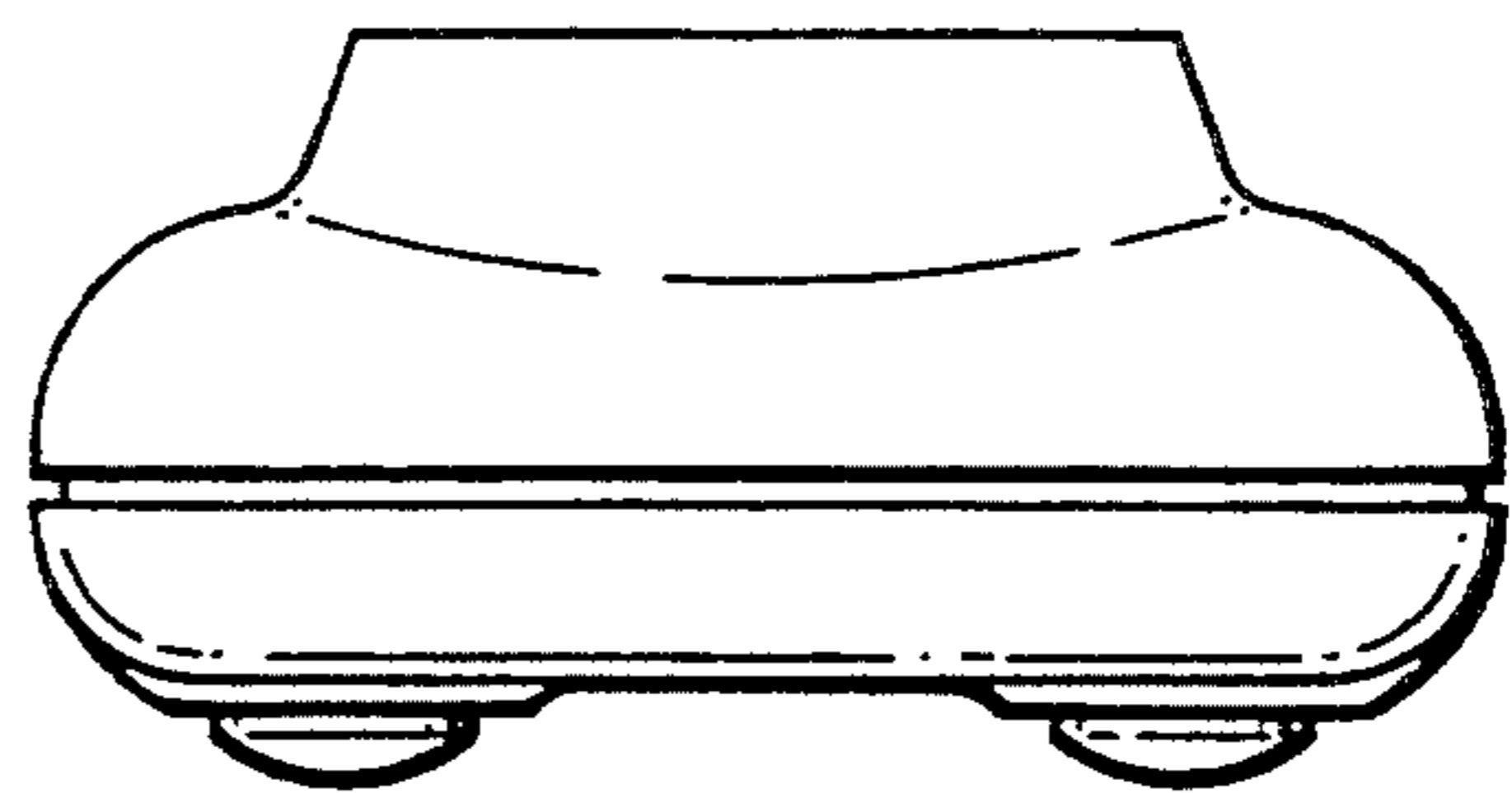


FIG. 4

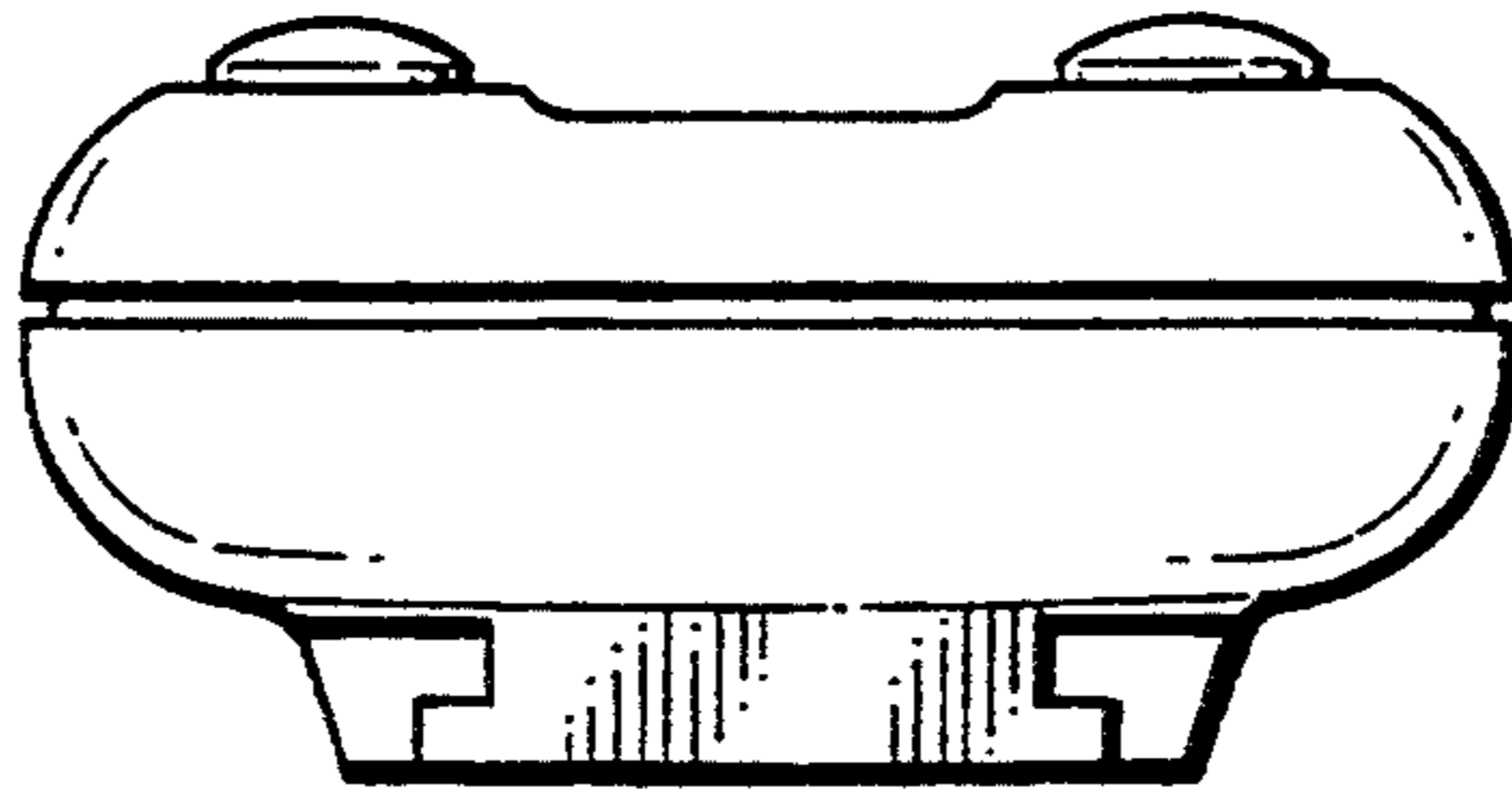


FIG. 6

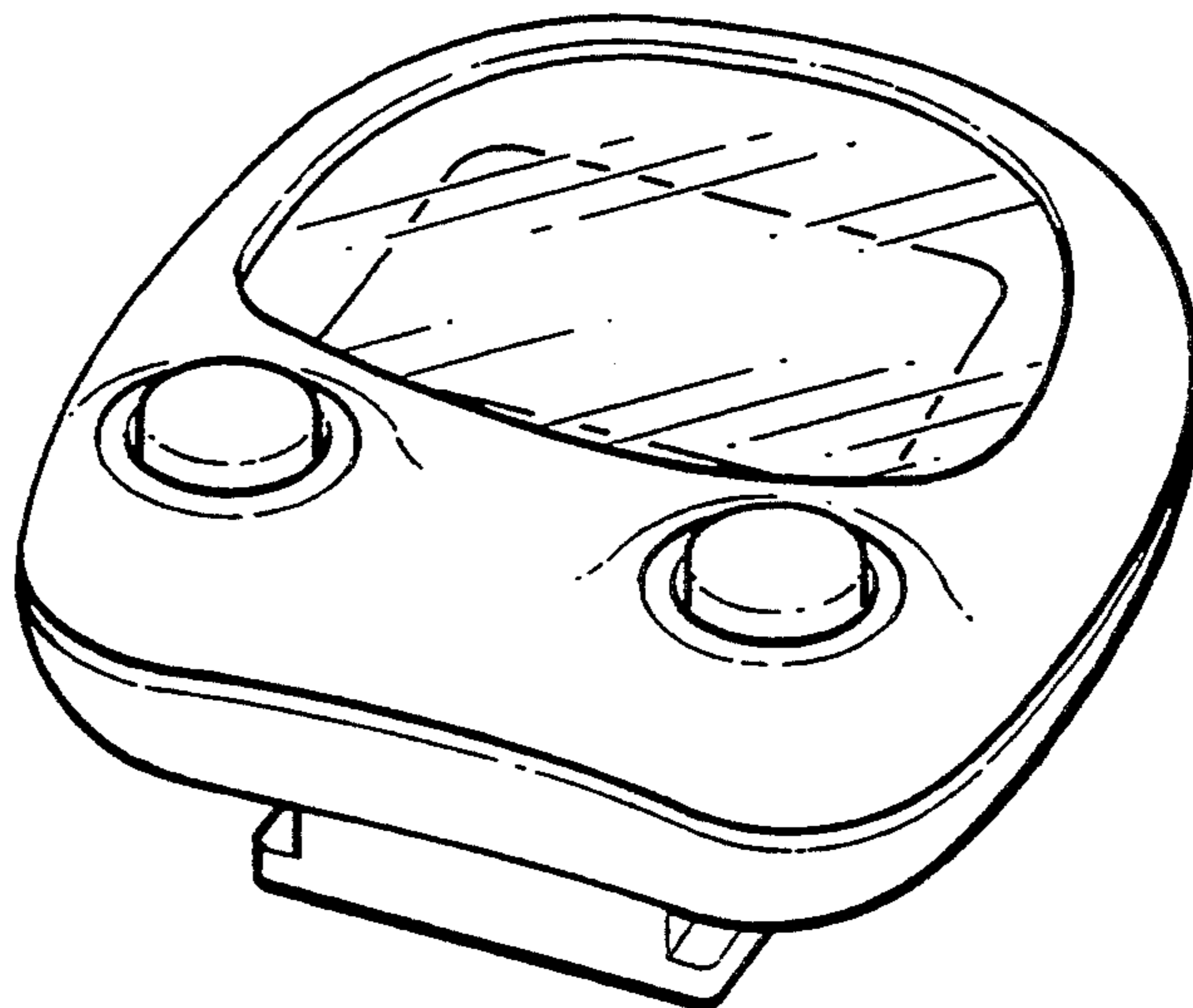


FIG. 7

