



US00D357877S

United States Patent [19]

[11] Patent Number: **Des. 357,877**

Johannesson et al.

[45] Date of Patent: **** May 2, 1995**

[54] MILK FLOW METER

5,083,459 1/1992 Lind et al. 73/215

[75] Inventors: **Leif B. Johannesson**, Tumba; **Per A. Fagerström**, Hägersten, both of Sweden

FOREIGN PATENT DOCUMENTS

6901275 7/1970 Netherlands .
1469761 4/1977 United Kingdom .
1488251 10/1977 United Kingdom .

[73] Assignee: **Alfa Laval Agri AB**, Tumba, Sweden

[**] Term: **14 Years**

Primary Examiner—Antoine Duval Davis
Attorney, Agent, or Firm—Hovey, Williams, Timmons & Collins

[21] Appl. No.: **15,706**

[22] Filed: **Nov. 24, 1993**

[57] CLAIM

[30] Foreign Application Priority Data

May 27, 1993 [SE] Sweden 93-1261

The ornamental design for a milk flow meter, as shown and described.

[52] U.S. Cl. **D10/96**

DESCRIPTION

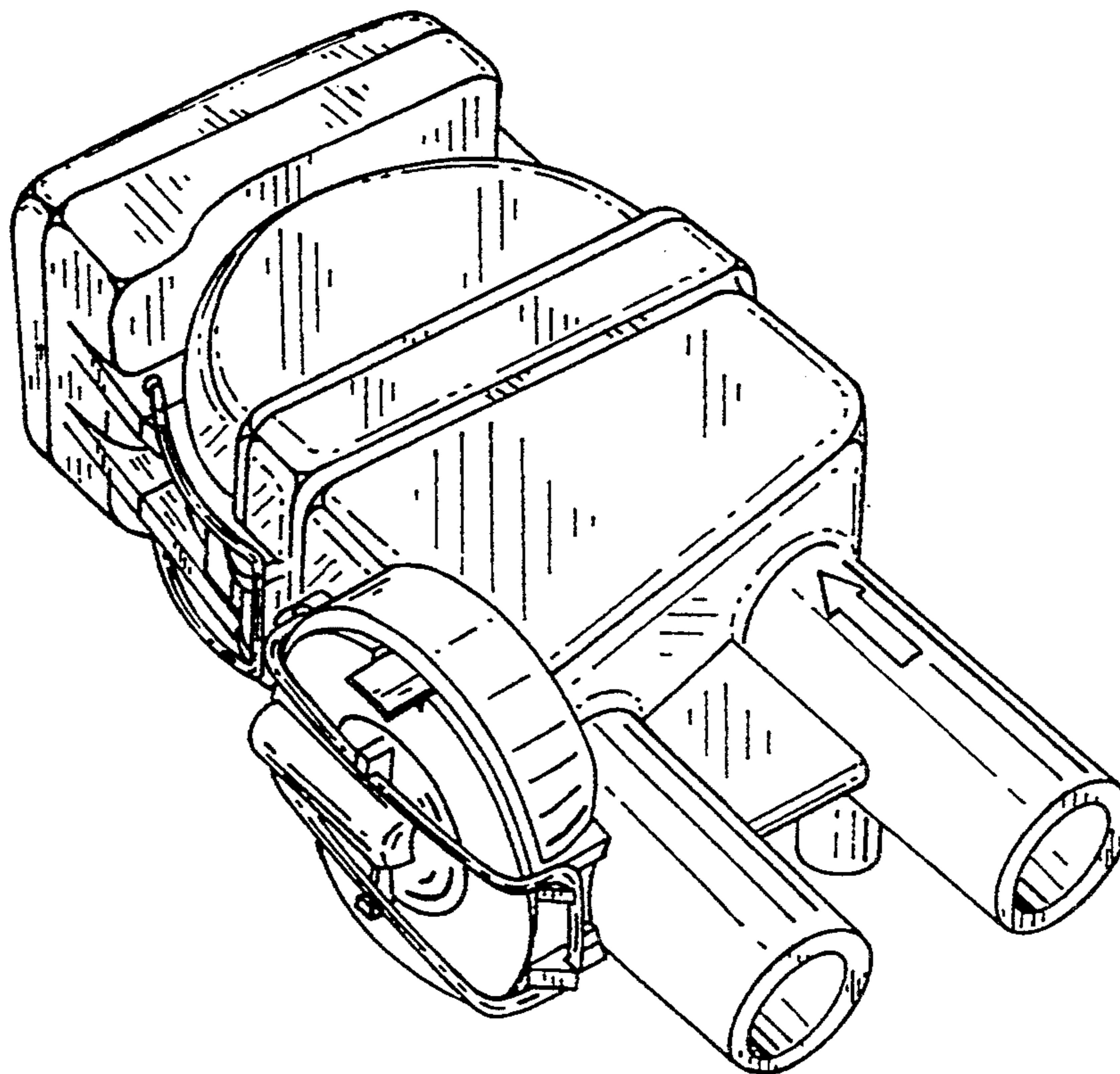
[58] Field of Search D10/96; 73/215, 219, 73/195, 250, 861.04, 861.34; 119/14.04, 14.08, 14.17, 14.16; 134/166 R; 324/637, 639, 643, 645; 368/509, 465

FIG. 1 is a right front upper perspective view of a milk flow meter showing our new design;
FIG. 2 is a left front lower perspective view thereof;
FIG. 3 is a right rear upper perspective view thereof;
FIG. 4 is a top plan view thereof;
FIG. 5 is a bottom plan view thereof;
FIG. 6 is a right side elevational view thereof;
FIG. 7 is a left side elevational view thereof;
FIG. 8 is a front elevational view thereof; and,
FIG. 9 is a rear elevational view thereof.

[56] References Cited

U.S. PATENT DOCUMENTS

3,630,081 12/1971 Nelson 73/219
4,452,176 6/1984 Hoefelamy et al. 119/14.17
5,051,920 9/1991 Reams et al. 364/509



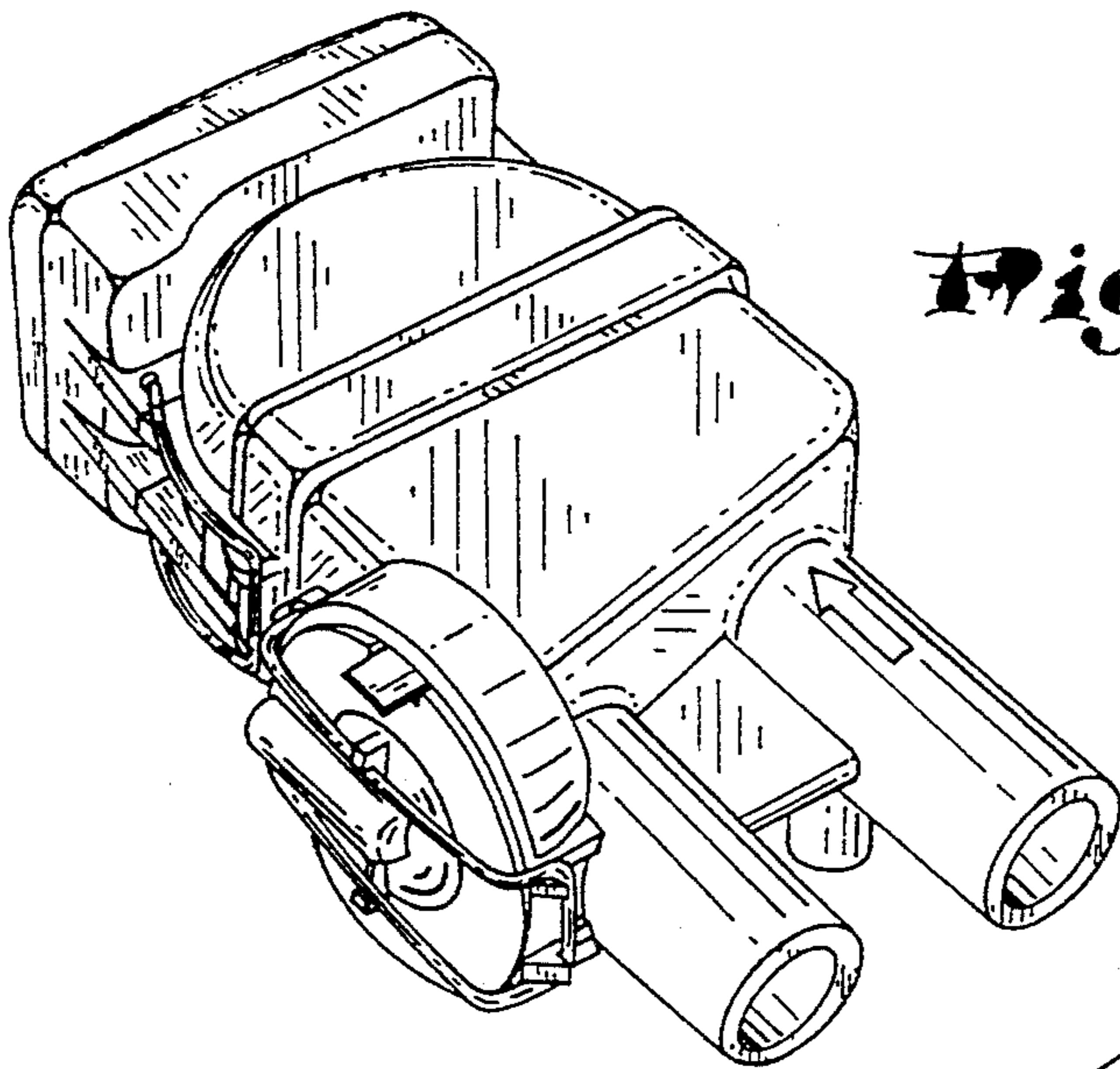


Fig. 1.

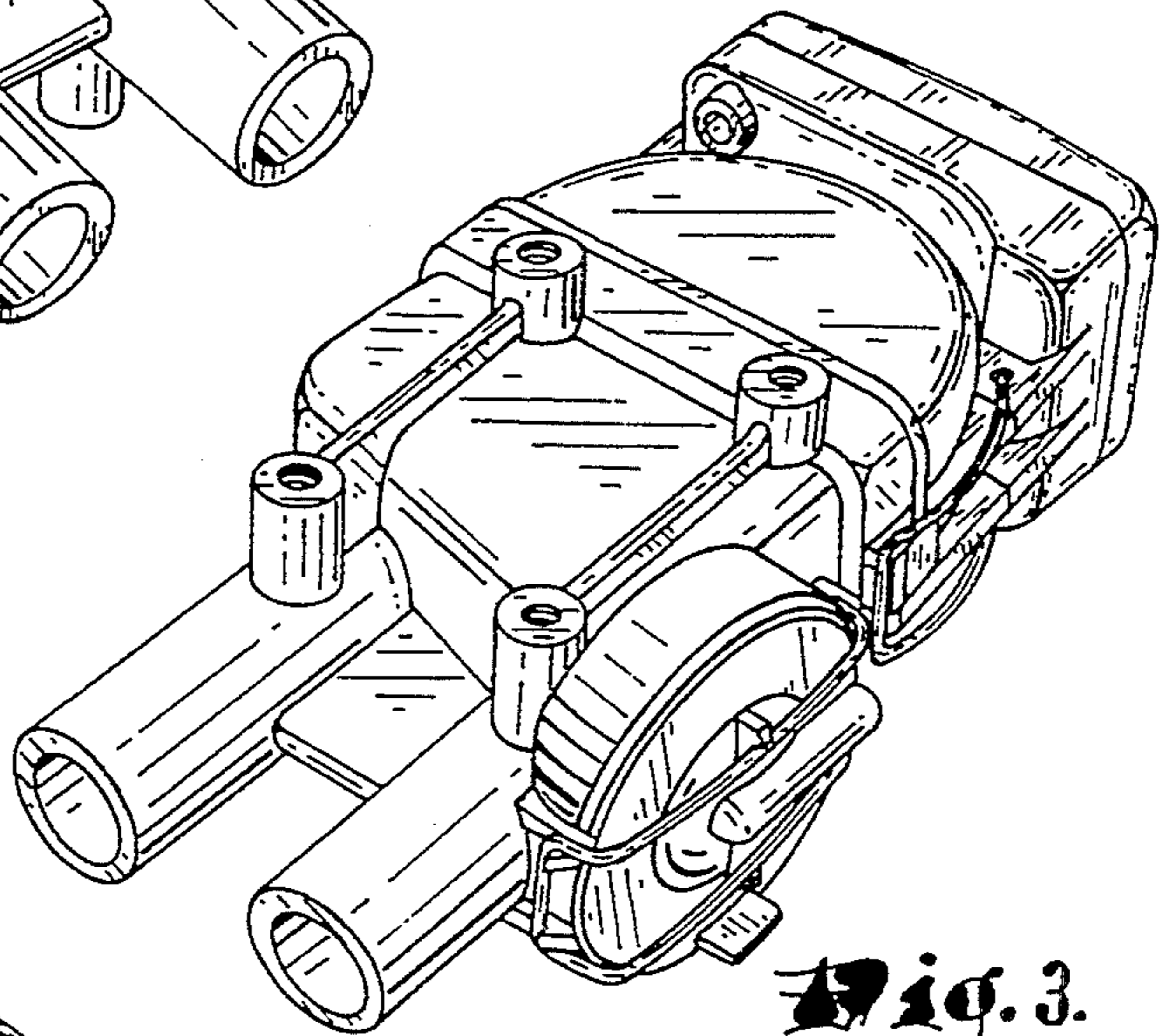


Fig. 3.

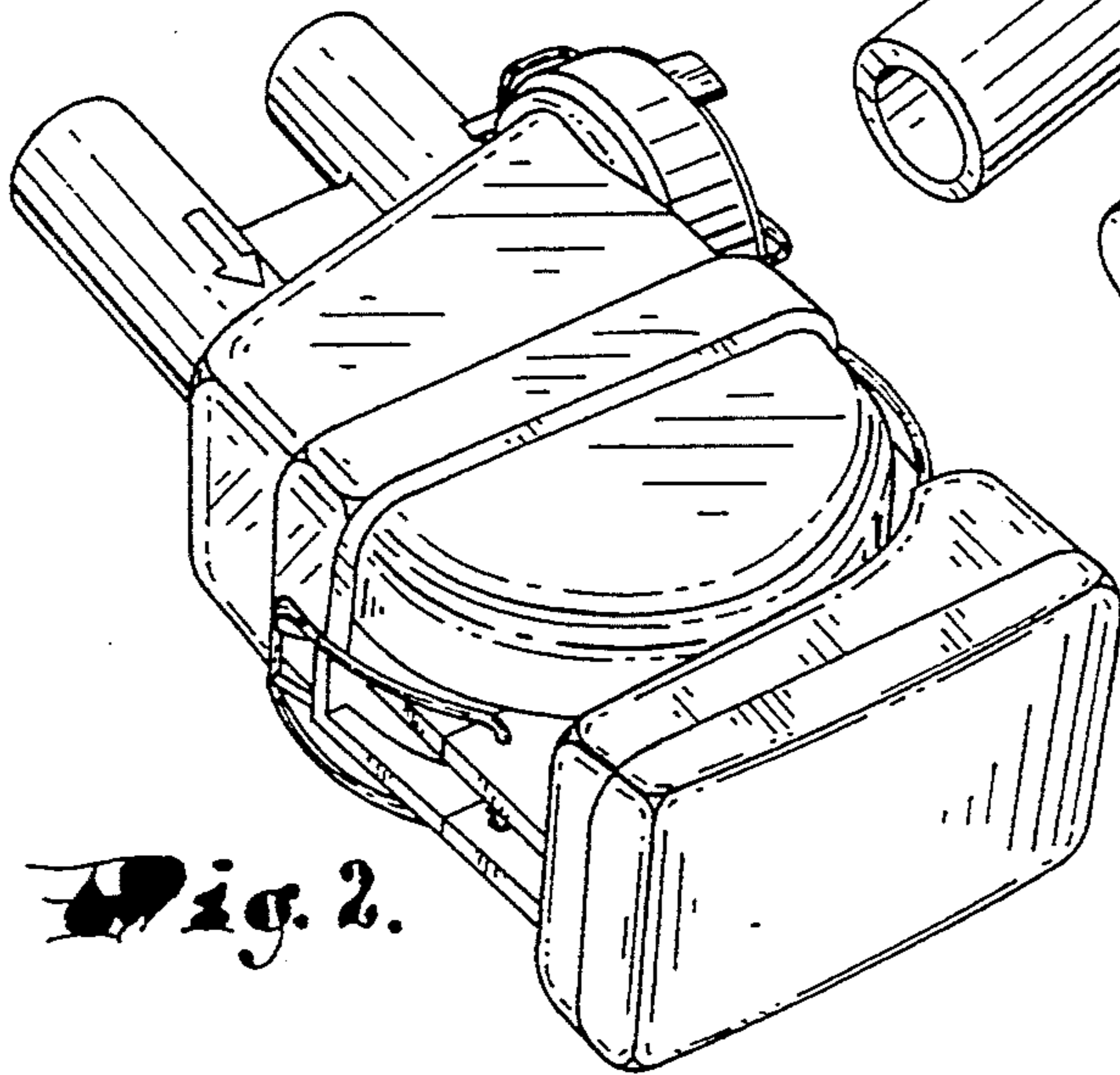


Fig. 2.

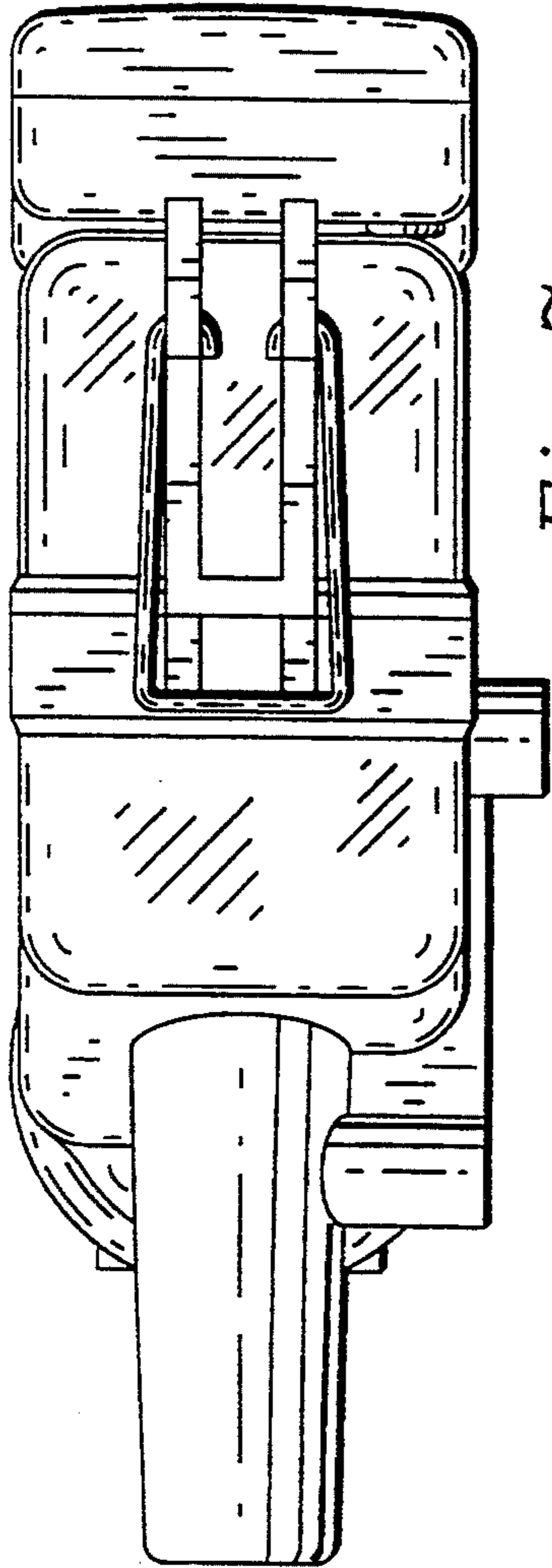


Fig. 7.

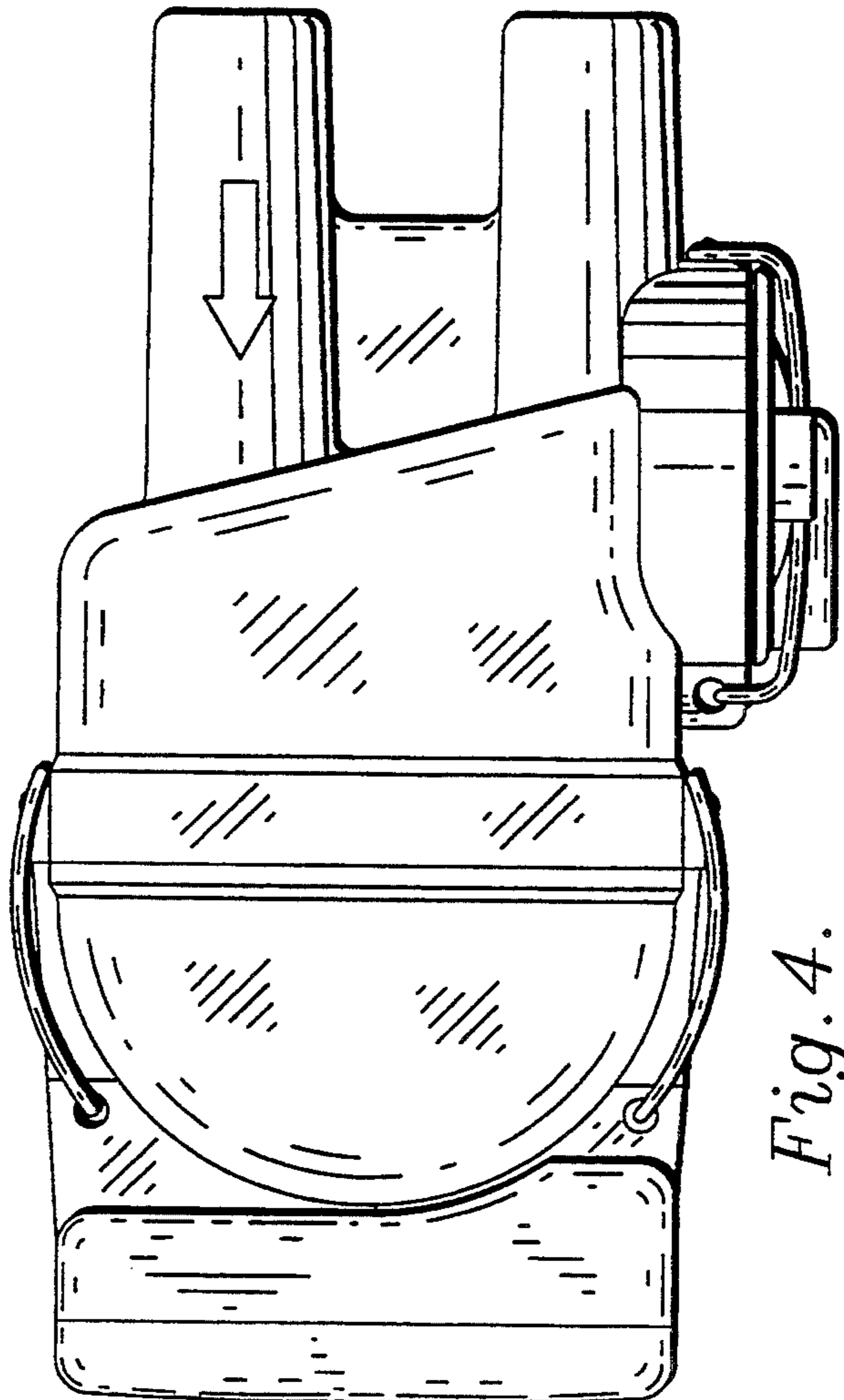
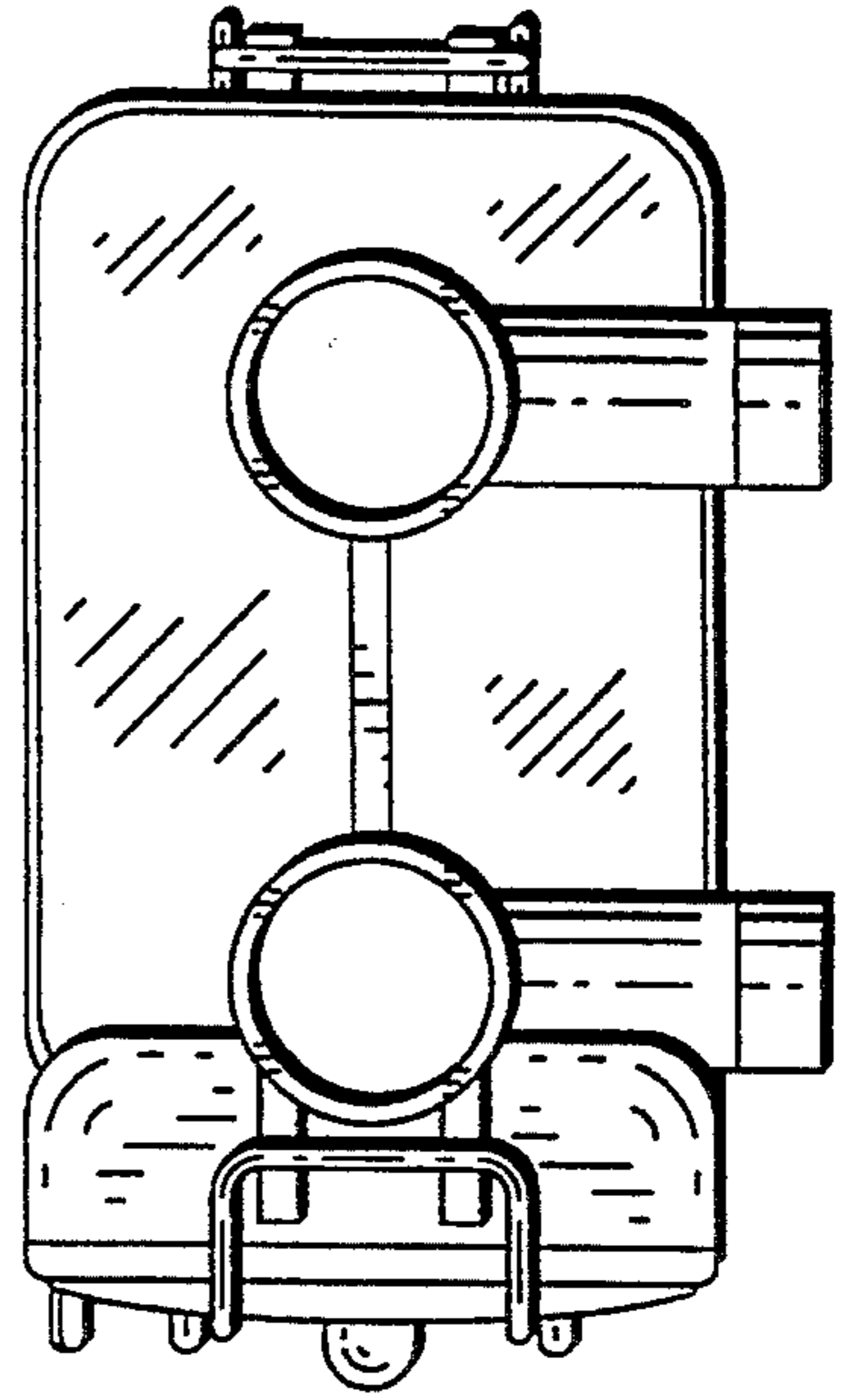


Fig. 4.

Fig. 8.



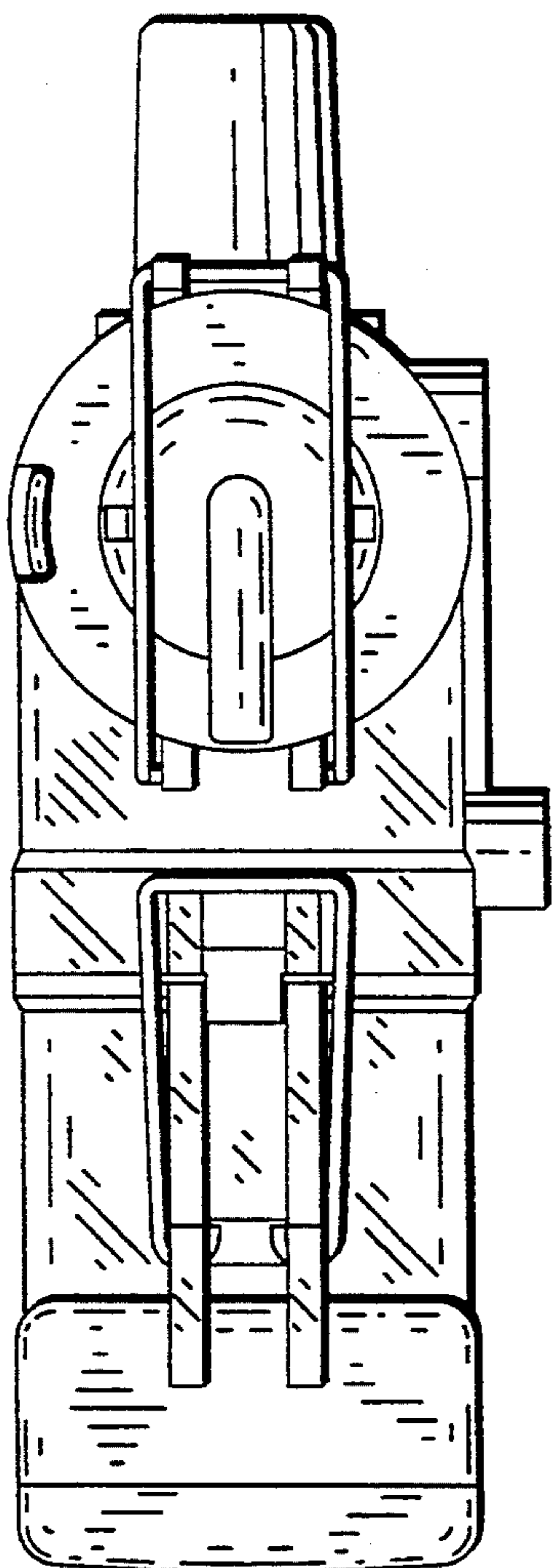


Fig. 6.

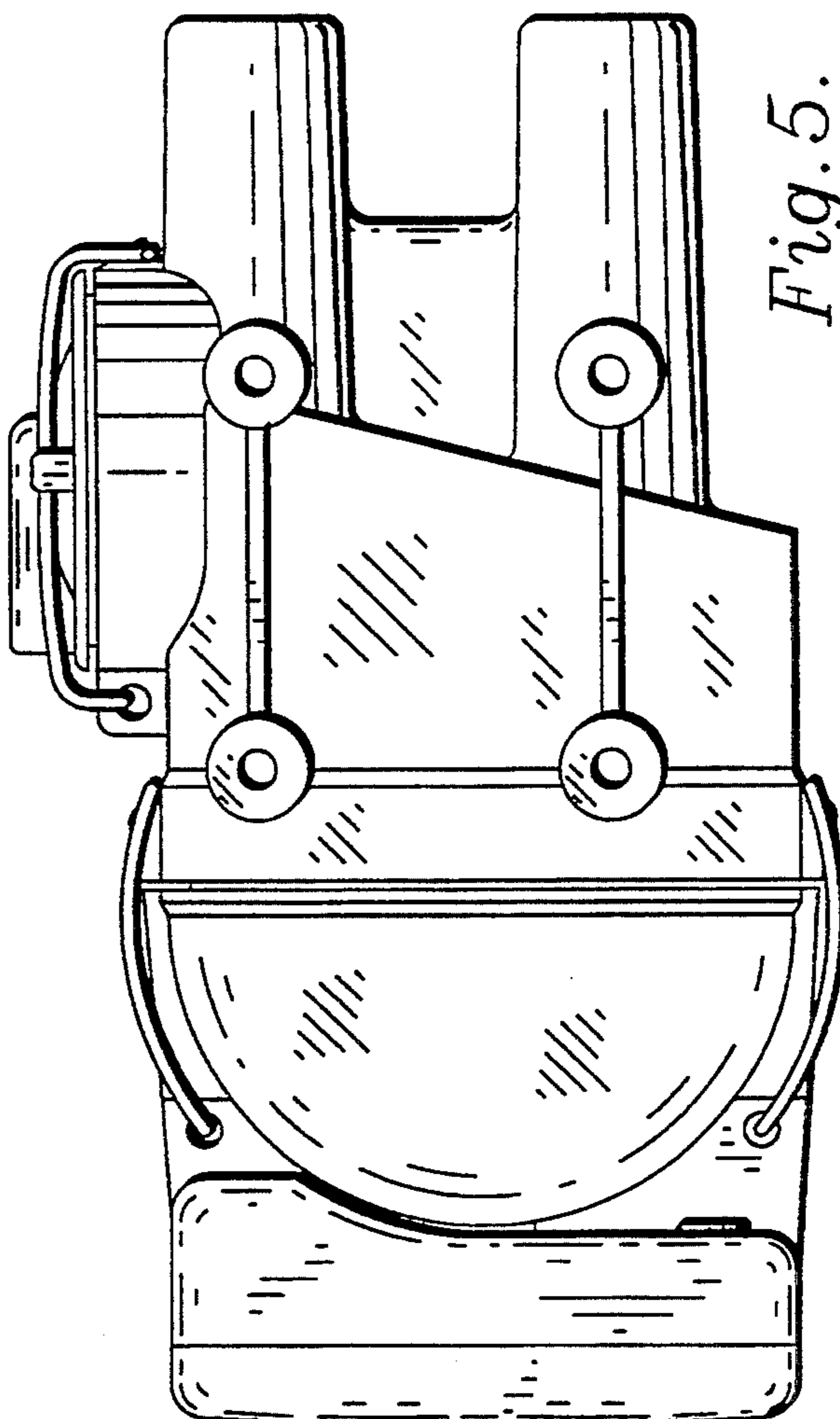


Fig. 5.

Fig. 9.

