



US00D357855S

United States Patent [19]

[11] Patent Number: **Des. 357,855**

Keith et al.

[45] Date of Patent: **** May 2, 1995**

[54] **INSULATING WALL TIE FOR CONCRETE SANDWICH WALLS**

[75] Inventors: **David O. Keith; David M. Hansen,** both of American Fork, Utah

[73] Assignee: **H. K. Composites, Inc.,** Orem, Utah

[**] Term: **14 Years**

[21] Appl. No.: **11,867**

[22] Filed: **Aug. 17, 1993**

[52] U.S. Cl. **D8/384**

[58] Field of Search **D8/382, 384, 386; 411/439, 451, 487, 456, 482; 52/701, 309.11, 250, 268, 410, 713**

[56] **References Cited**

U.S. PATENT DOCUMENTS

1,767,565	6/1930	Thrift et al.	411/482
2,007,311	7/1935	Shearman	411/456
2,020,062	11/1935	Jackson	411/456
2,412,744	12/1946	Nelson .	
2,657,449	11/1953	Hillberg	D8/384
2,874,603	2/1959	Boettcher	411/482
3,099,108	7/1963	Kalkbrenner	52/701
4,805,366	2/1989	Long	52/250
4,829,733	5/1989	Long	52/309.11
4,869,242	9/1989	Galluzzo	411/482
5,011,354	4/1991	Brownlee	411/439

OTHER PUBLICATIONS

Thermomass Building System, "Tilt-Up Construction Method", 1990.

Thermomass Building System, "The Truth about Building with Concrete"; Energy Savings . . . the Inside Story; Best Choice for All Construction Methods; Fully Tested . . . Proven Performance Sep., 1991.

1991 Richard Layne, *Popular Science*, "Concrete-plastic sandwich forms walls fast", 72, Sep., 1985.

Primary Examiner—Theodore M. Shooman

Assistant Examiner—Philip Hyder

Attorney, Agent, or Firm—Workman, Nydegger & Seeley

[57] **CLAIM**

The ornamental design for an insulating wall tie for concrete sandwich walls, as shown and described.

DESCRIPTION

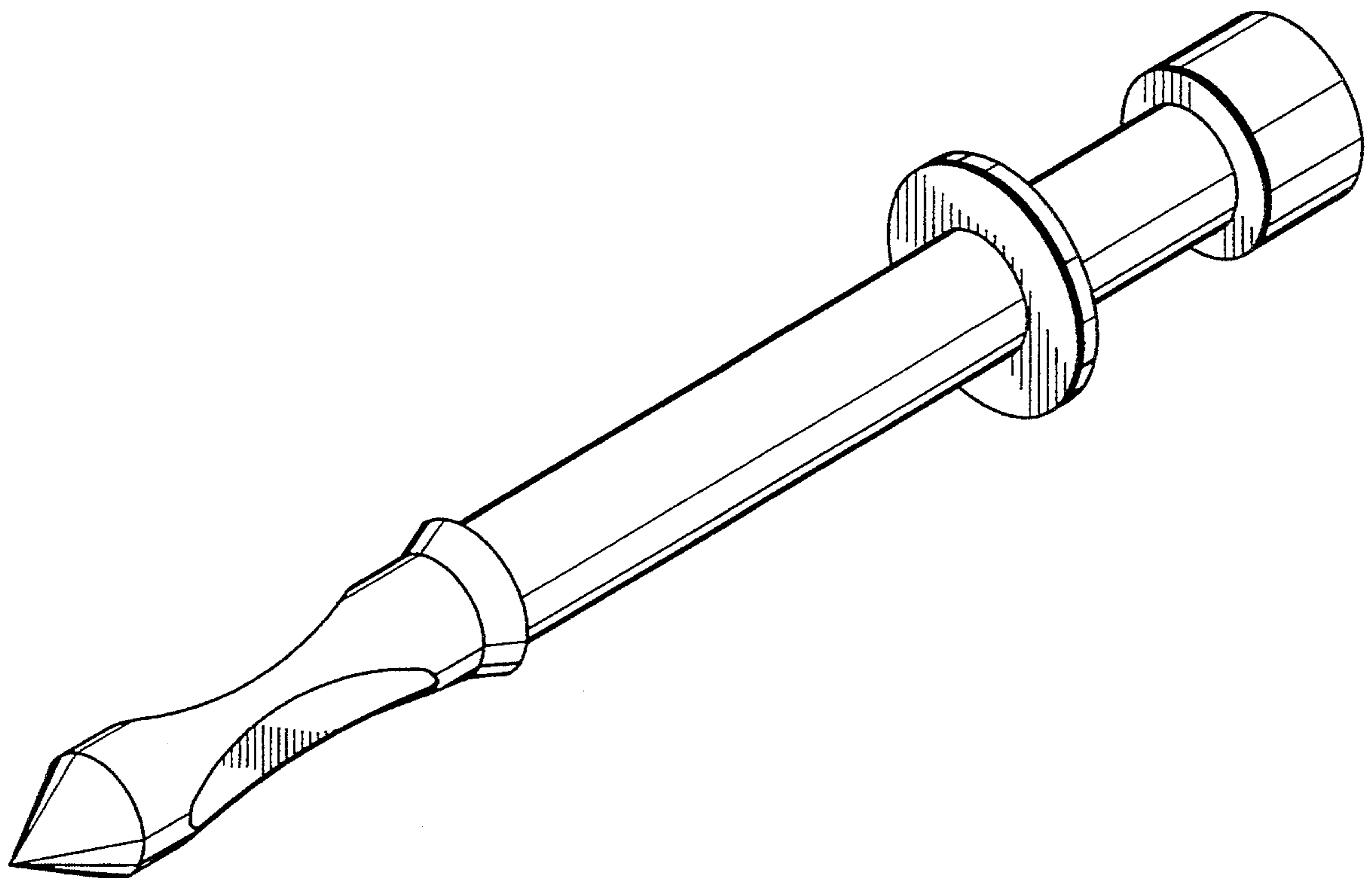
FIG. 1 is a perspective view of an insulating wall tie for concrete sandwich walls showing our design;

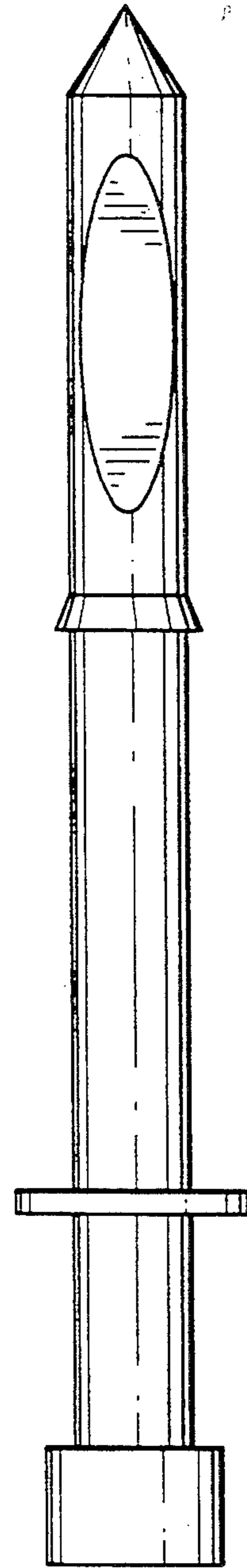
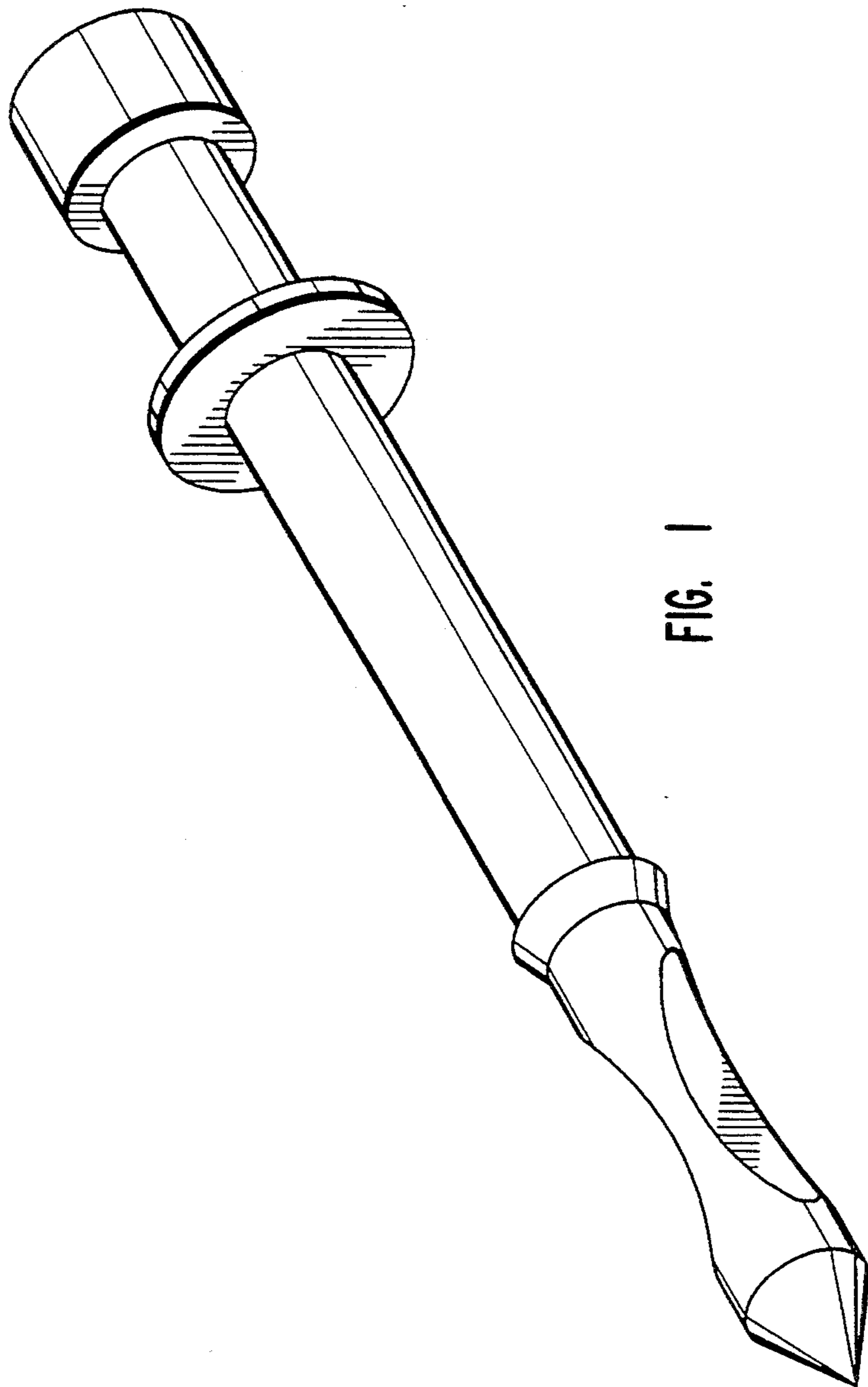
FIG. 2 is a top plan view thereof, the bottom plan view appearing the same;

FIG. 3 is a front elevational view thereof;

FIG. 4 is an end elevational view thereof, as seen from the left end of FIG. 3; and,

FIG. 5 is a right end elevational view thereof.





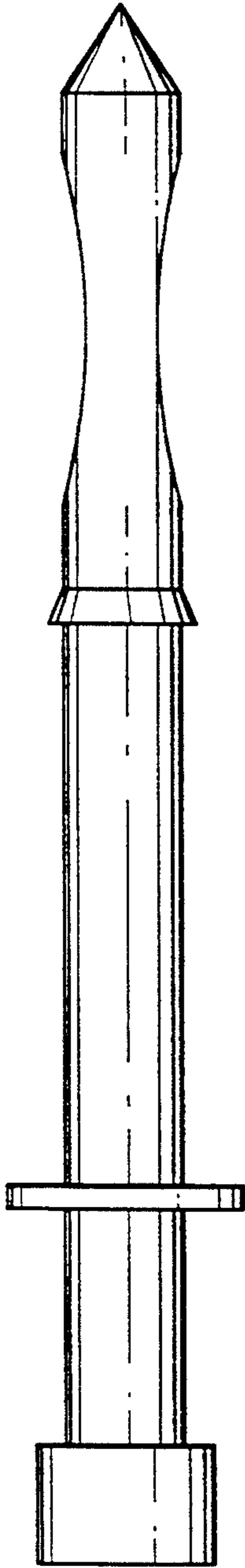


FIG. 3

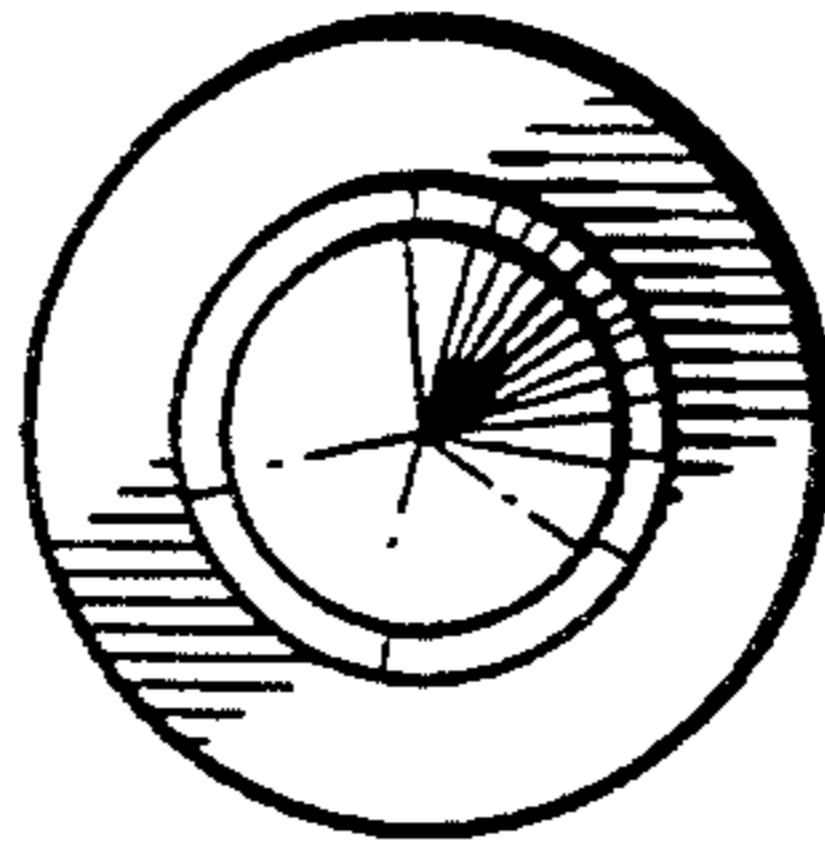


FIG. 4

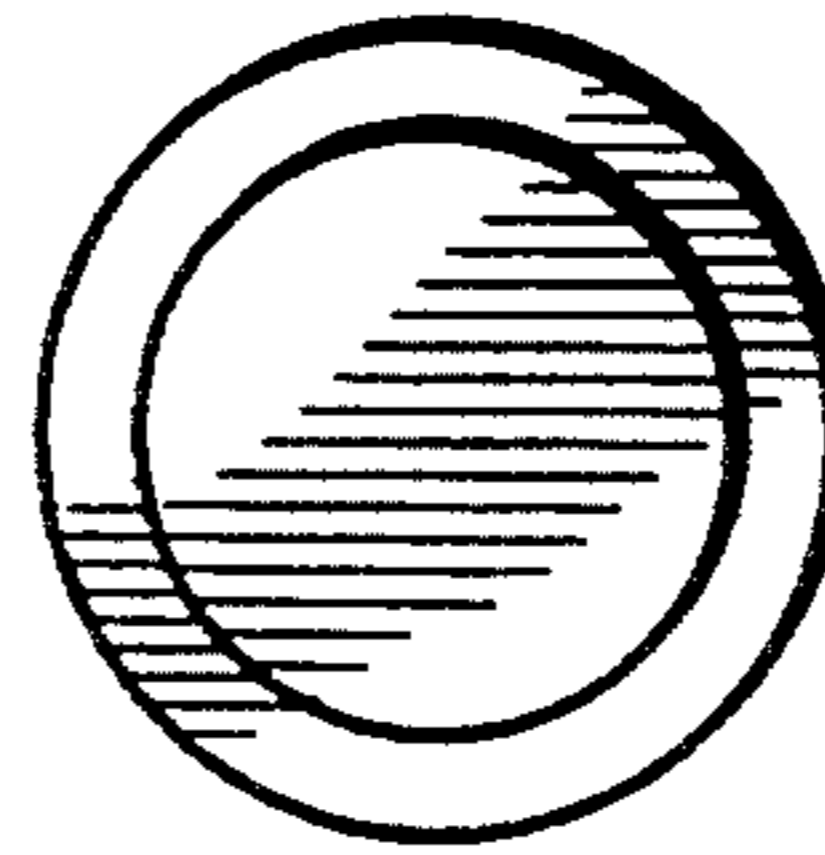


FIG. 5