



US00D357854S

United States Patent [19]

[11] Patent Number: **Des. 357,854**

Payne

[45] Date of Patent: **** May 2, 1995**

[54] **CONCRETE CONSTRUCTION JIG FOR HOLDING PLUMBING**

4,550,451 11/1985 Hobbard 4/695

[76] Inventor: **Michael W. Payne**, 2741 Meadow Dr., Slaughter, La. 70777

Primary Examiner—Doris Clark
Attorney, Agent, or Firm—Richard G. Heywood

[**] Term: **14 Years**

[57] **CLAIM**

[21] Appl. No.: **16,264**

The ornamental design for a concrete construction jig for holding plumbing, as shown and described.

[22] Filed: **Dec. 13, 1993**

DESCRIPTION

[52] U.S. Cl. **D8/380; D23/263**

[58] Field of Search D25/199; D23/265, 266, D23/259, 270, 263; 52/169.9, 292, 296; 248/188.1, 49, 56-63, 68, 70-73, 75; 4/DIG. 7, 670, 695; D8/380, 373, 395; 174/135

FIG. 1 is a perspective view of a concrete construction jig for holding plumbing, the broken lines showing plumbing and bands are for illustrative purposes only and form no part of the claimed design;

FIG. 2 is a side elevational view of the concrete construction jig for holding plumbing of FIG. 1, the opposite side therefrom being the same;

FIG. 3 is a top plan view thereof;

FIG. 4 is a bottom view thereof;

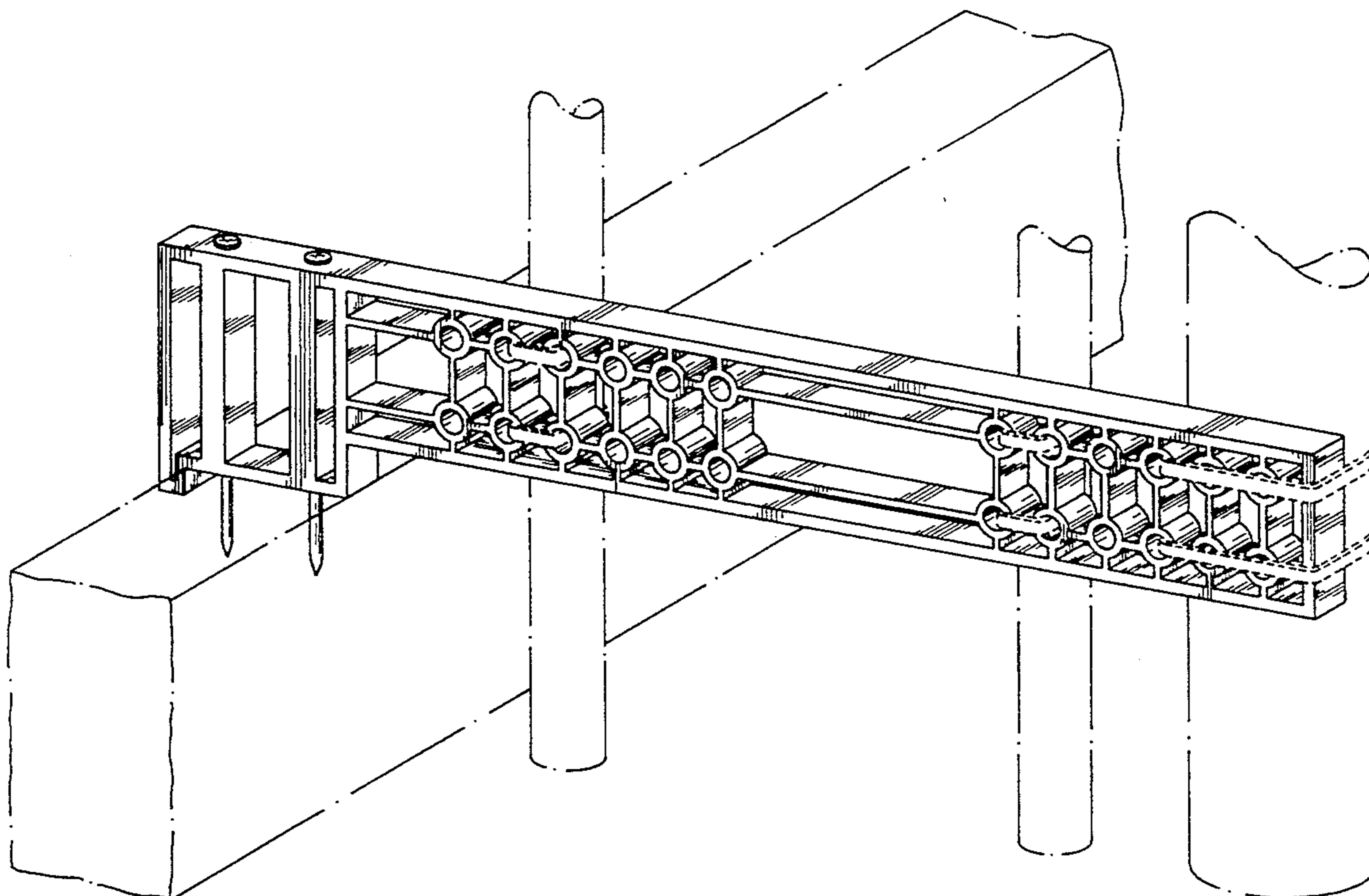
FIG. 5 is an end elevational view taken from the left ends of FIGS. 2-4; and,

FIG. 6 is an end elevational view taken from the right ends of FIGS. 2-4.

[56] **References Cited**

U.S. PATENT DOCUMENTS

D. 339,737	9/1993	Hostetler	D8/380
2,362,124	11/1944	Ellinwood	174/135
2,628,799	2/1953	Aaby	4/695
3,156,490	11/1964	Myll	D23/263
3,932,899	1/1976	Brady et al.	4/DIG. 7



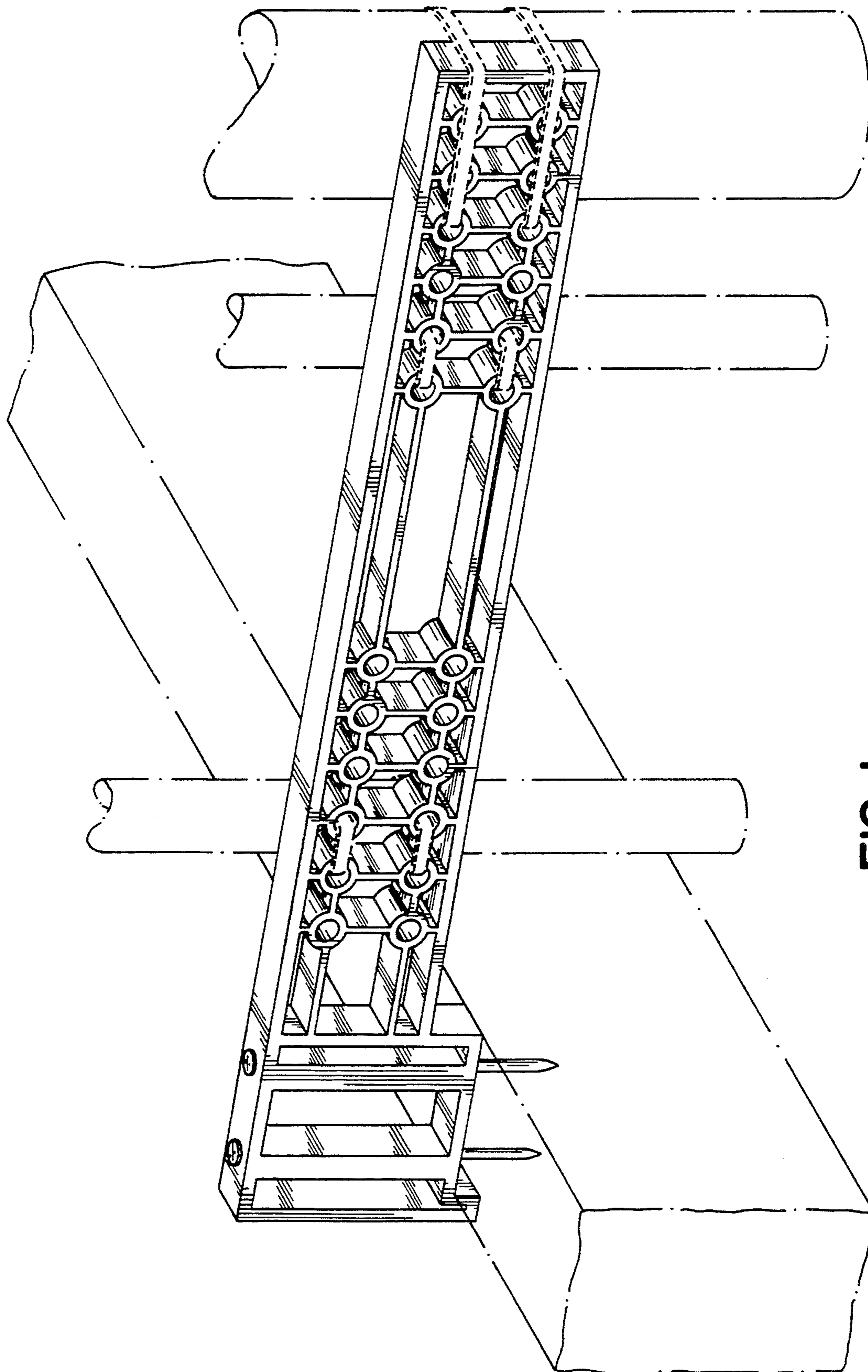


FIG. 1

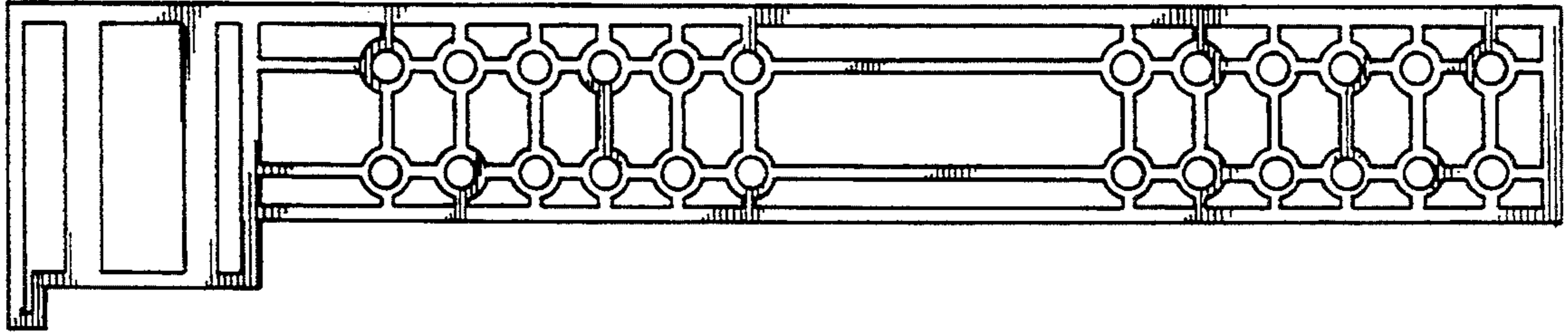


FIG. 2



FIG. 3



FIG. 4



FIG. 5



FIG. 6