



US00D357852S

United States Patent [19]

[11] Patent Number: **Des. 357,852**

Shen

[45] Date of Patent: **** May 2, 1995**

[54] **KEY**

[76] Inventor: **Chao C. Shen**, No. 62, Hoshan St.,
Tainan, Taiwan, Prov. of China

[**] Term: **14 Years**

[21] Appl. No.: **25,845**

[22] Filed: **Jul. 13, 1994**

[52] U.S. Cl. **D8/347**

[58] Field of Search **D8/347-348;**
70/393, 402, 405-406, 408

[56] **References Cited**

U.S. PATENT DOCUMENTS

3,338,078 8/1967 Eberitch et al. 70/395
4,102,166 7/1978 Hughes 70/408 X

OTHER PUBLICATIONS

Iico Unican Corp Catalogue No 60R (1984) p. 23,
Olympic Lock #1171.

Iico Unican Corp Catalogue No 60R (1984) p. 36,
Schlage Lock #SC1246.

Primary Examiner—Brian N. Vinson
Attorney, Agent, or Firm—Morton J. Rosenberg; David
I. Klein

[57] **CLAIM**

The ornamental design for a key, as shown and de-
scribed.

DESCRIPTION

FIG. 1 is a front-right-top perspective view of a key,
showing my new design;

FIG. 2 is a front elevational view thereof;

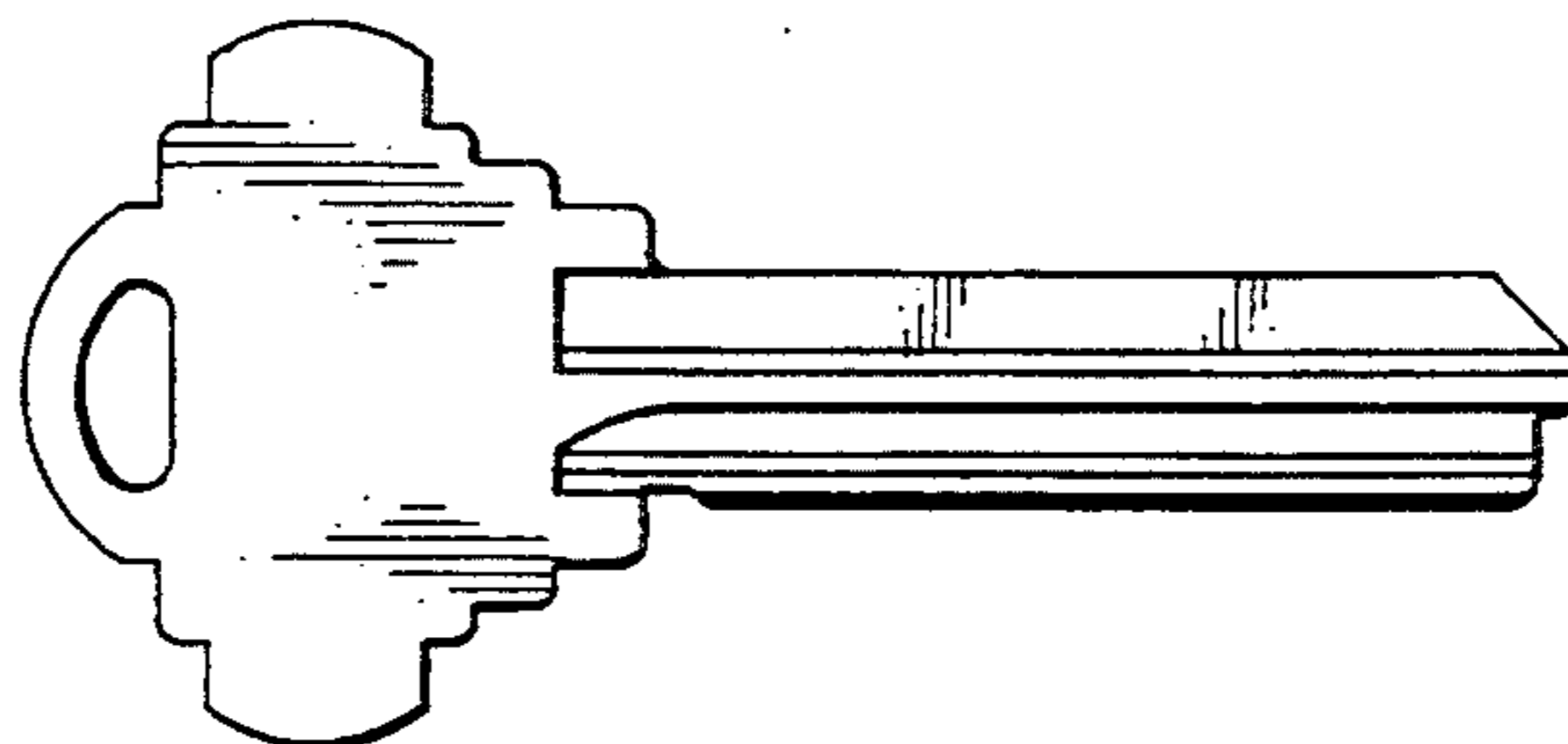
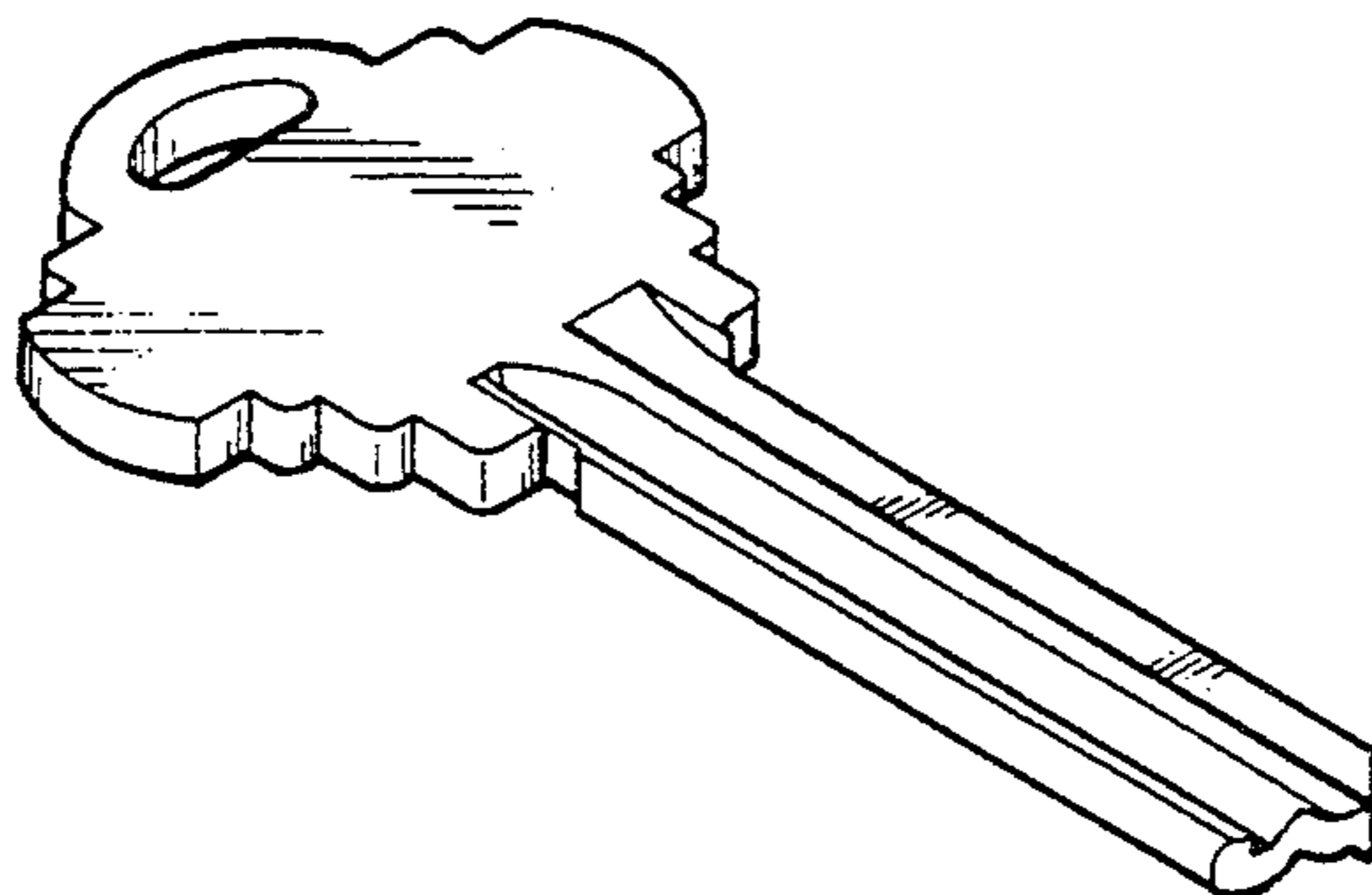
FIG. 3 is a rear elevational view thereof;

FIG. 4 is a left elevational view thereof;

FIG. 5 is a right elevational view thereof;

FIG. 6 is a top plan view thereof; and,

FIG. 7 is a bottom plan view thereof.



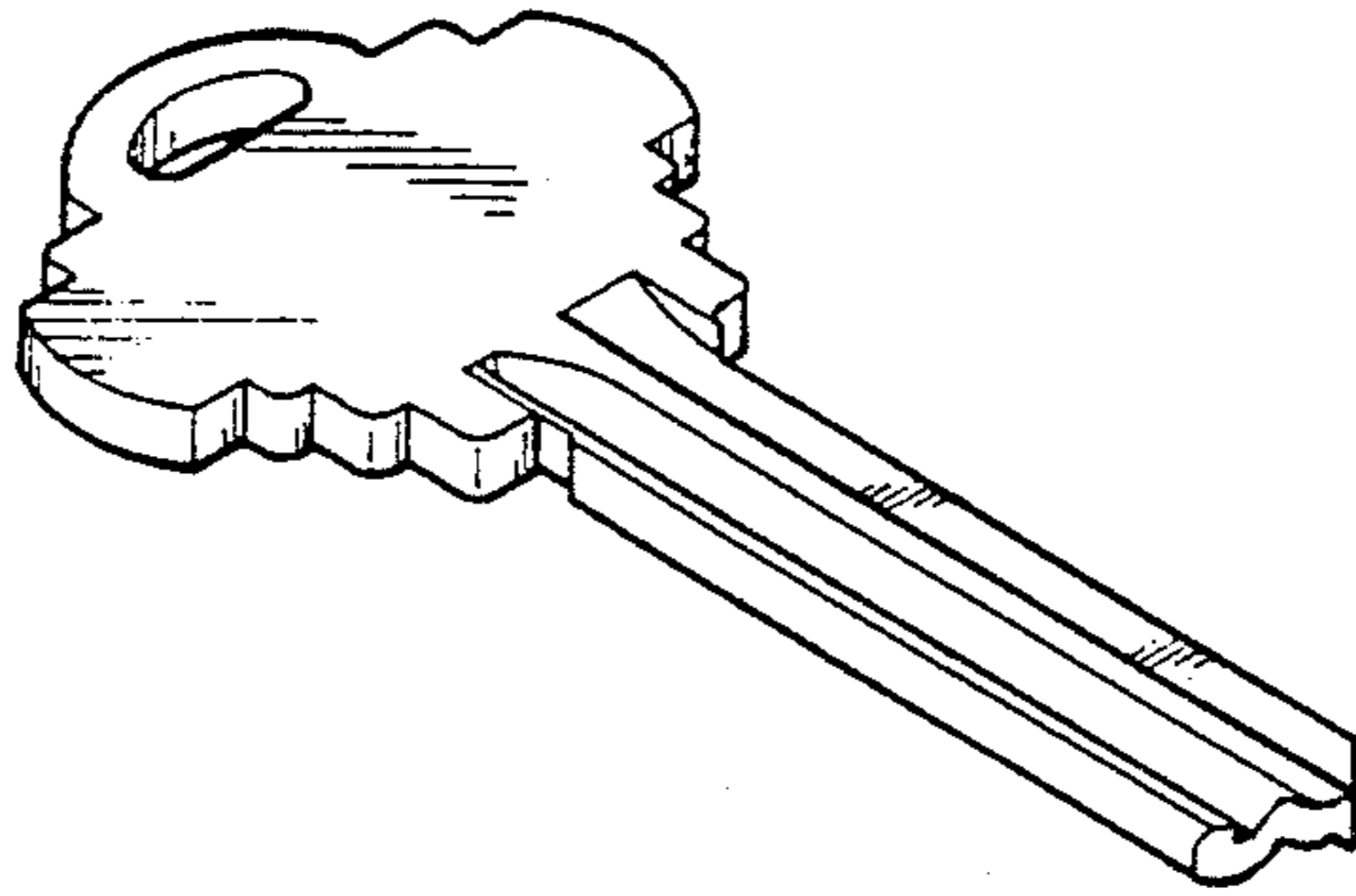


Fig. 1



Fig. 2

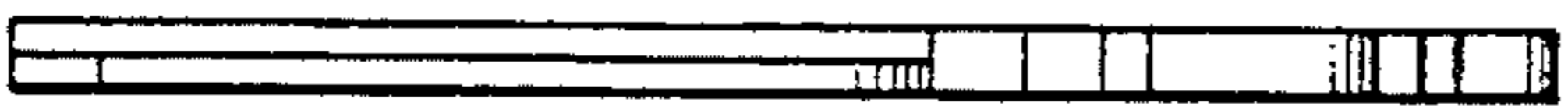


Fig. 3

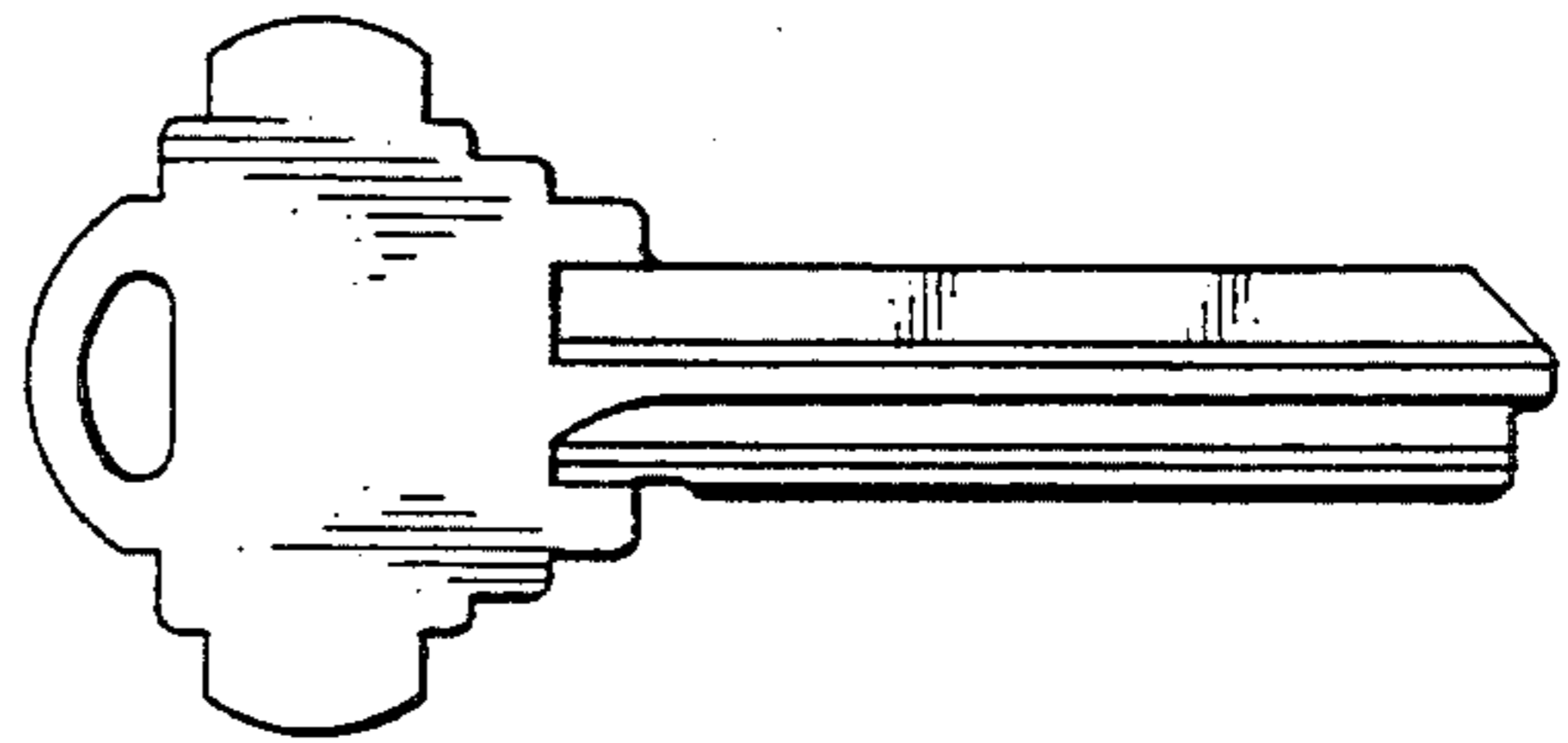


Fig. 6



Fig. 4



Fig. 5

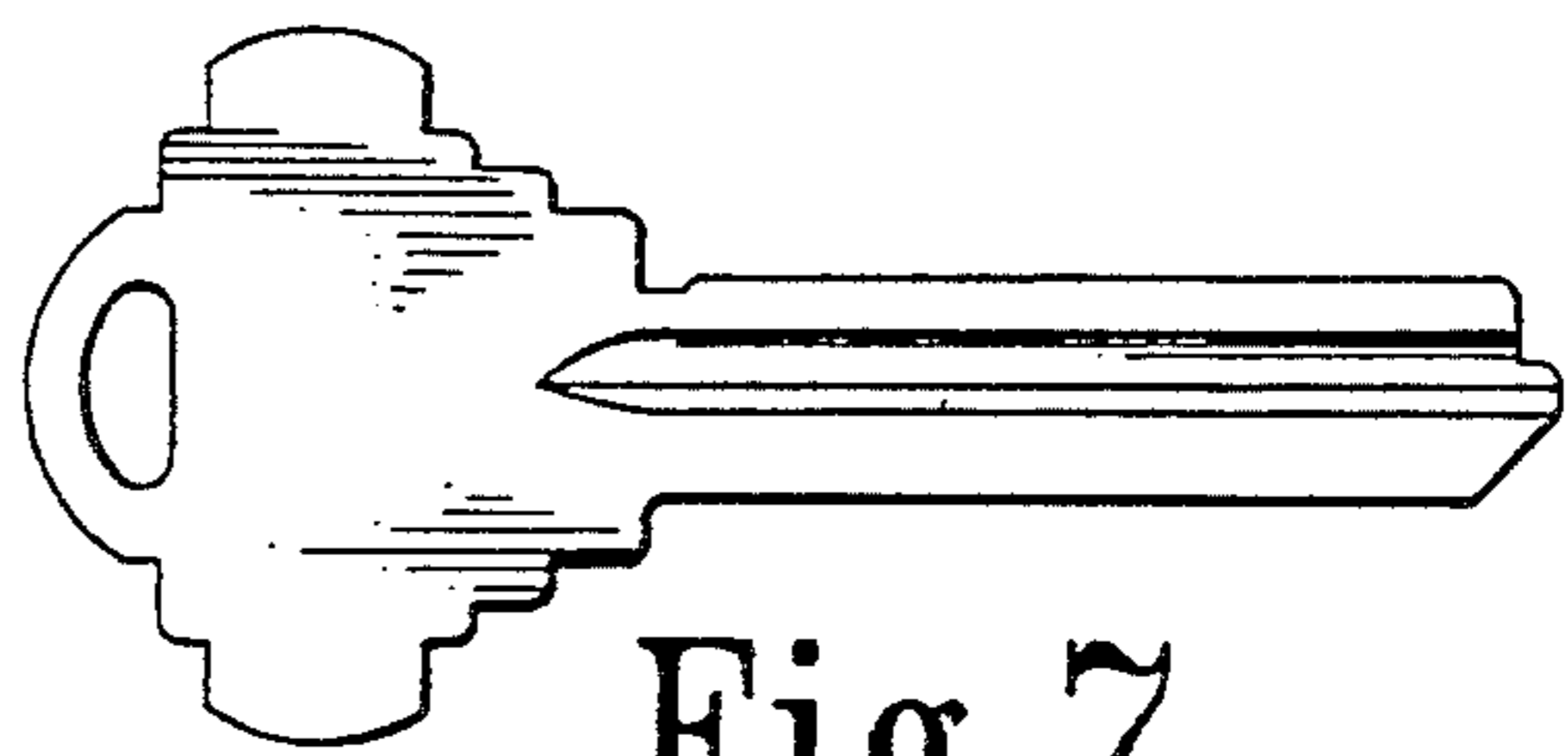


Fig. 7