



US00D357849S

United States Patent [19]

[11] Patent Number: **Des. 357,849**

Izumisawa

[45] Date of Patent: **** May 2, 1995**

- [54] **MINIATURE SANDER WITH THROTTLE**
- [75] Inventor: **Nobuyuki Izumisawa, Tokyo, Japan**
- [73] Assignee: **Shinano, Inc., Saitama, Japan**
- [**] Term: **14 Years**
- [21] Appl. No.: **20,523**
- [22] Filed: **Mar. 28, 1994**
- [52] U.S. Cl. **D8/62; D8/68**
- [58] Field of Search **D8/61, 68, 62; 51/170, 51/170 R, 170 T, 170 TL, 170 PT**

Florida Pneumatic Manufacturing Company, "Air Tools", pp. 5-7, 10, and 17. Prior to Mar. 28, 1993.
 Ingersoll Rand Co., "Automotive Power Tools", pp. 12, 13, 35, 37 and 42, published Jan. 1992.
 Mac Tools, Inc., "Mac Tools Catalog", pp. 163, 168, and 175. prior to Mar. 28, 1993.
 Florida Pneumatic Manufacturing Company, "Raider Air Tools", p. 4. prior to Mar. 28, 1993.
 Sioux Tolls, Inc., "Automotive Professional Tools and Equipment", pp. 11 and 33. prior to Mar. 28, 1993.
 Snap-on Tools Corporation, "Snap-on Worldwide", pp. 186 and 193. prior to Mar. 28, 1993.
 Sunex International, "Sunex Automotive Tools & Equipment", pp. 13 and 17, published Jan. 1989.

[56] **References Cited**

U.S. PATENT DOCUMENTS

- D. 204,772 5/1966 Brown D8/62
- D. 254,771 4/1980 Taylor et al. D8/62
- D. 269,846 7/1983 Izumisawa D8/62
- D. 289,136 4/1987 Doman D8/62
- D. 330,151 10/1992 Fisher D8/62

OTHER PUBLICATIONS

Allen Air Products Inc., "Viking Air Tools; Product Catalog", pp. 2 and 3. Prior to Mar. 28, 1993.
 Astro Pneumatic Tool Company, "Astro Power", pp. 6, 13, 14, 16, 20, 21, and 27. prior to Mar. 28, 1993.
 Buffalo Tool, "Guardian Power; Tools and Accessories Catalog", 1992, pp. 8 and 9. Date Jan. 1992.
 Chicago Pneumatic Tool Company, "Chicago Pneumatic; Automotive Air Tools", pp. 2, 32 and 44, published Mar., 1990.
 Dynabrade, Inc., "Automotive Finishing Systems Catalog", p. 10, published dated Jan. 1992.

Primary Examiner—Alan P. Douglas
Assistant Examiner—Jeffrey H. Musgrove
Attorney, Agent, or Firm—Greer, Burns & Crain, Ltd.

[57] **CLAIM**

The ornamental design for a miniature sander with throttle, as shown and described.

DESCRIPTION

FIG. 1 is a perspective view;
 FIG. 2 is a left side view thereof;
 FIG. 3 is a front view;
 FIG. 4 is a rear view;
 FIG. 5 is a top view; and,
 FIG. 6 is a bottom view.
 The right side view is the same as a mirror image of the left side view shown in FIG. 2. The broken lines showing the sanding tool are for illustrative purposes only and form no part of the claimed design.

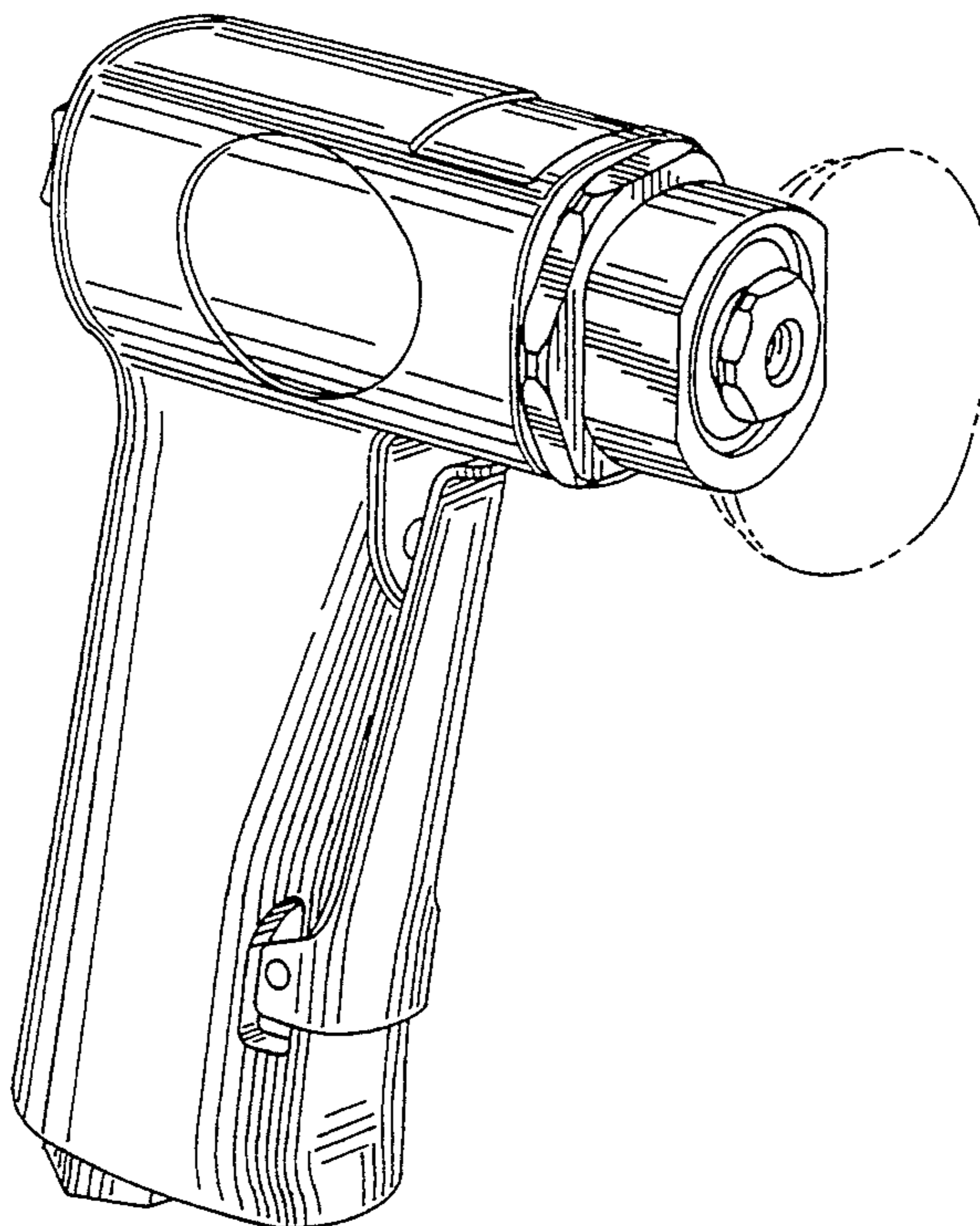


FIG. 2

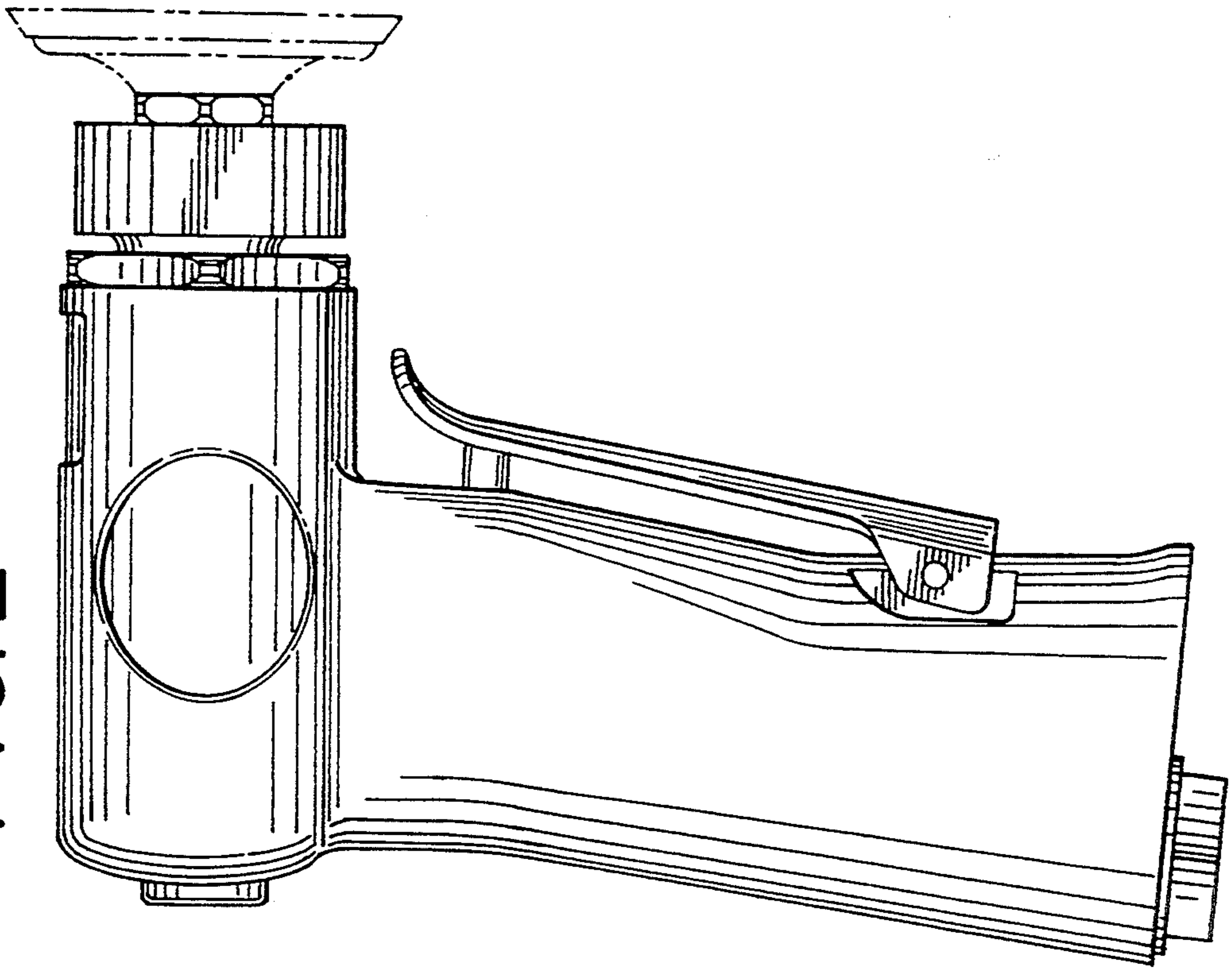
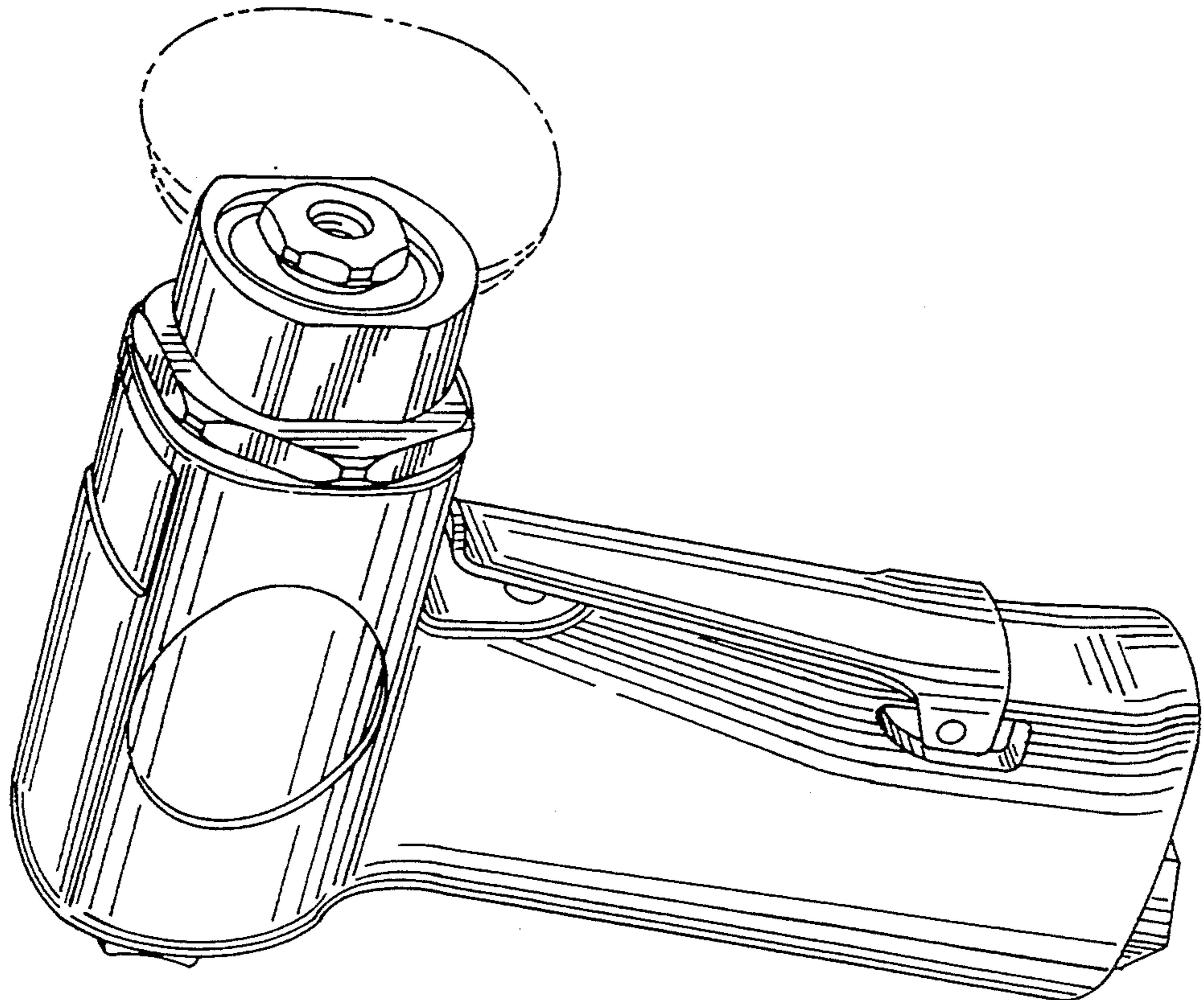


FIG. 1



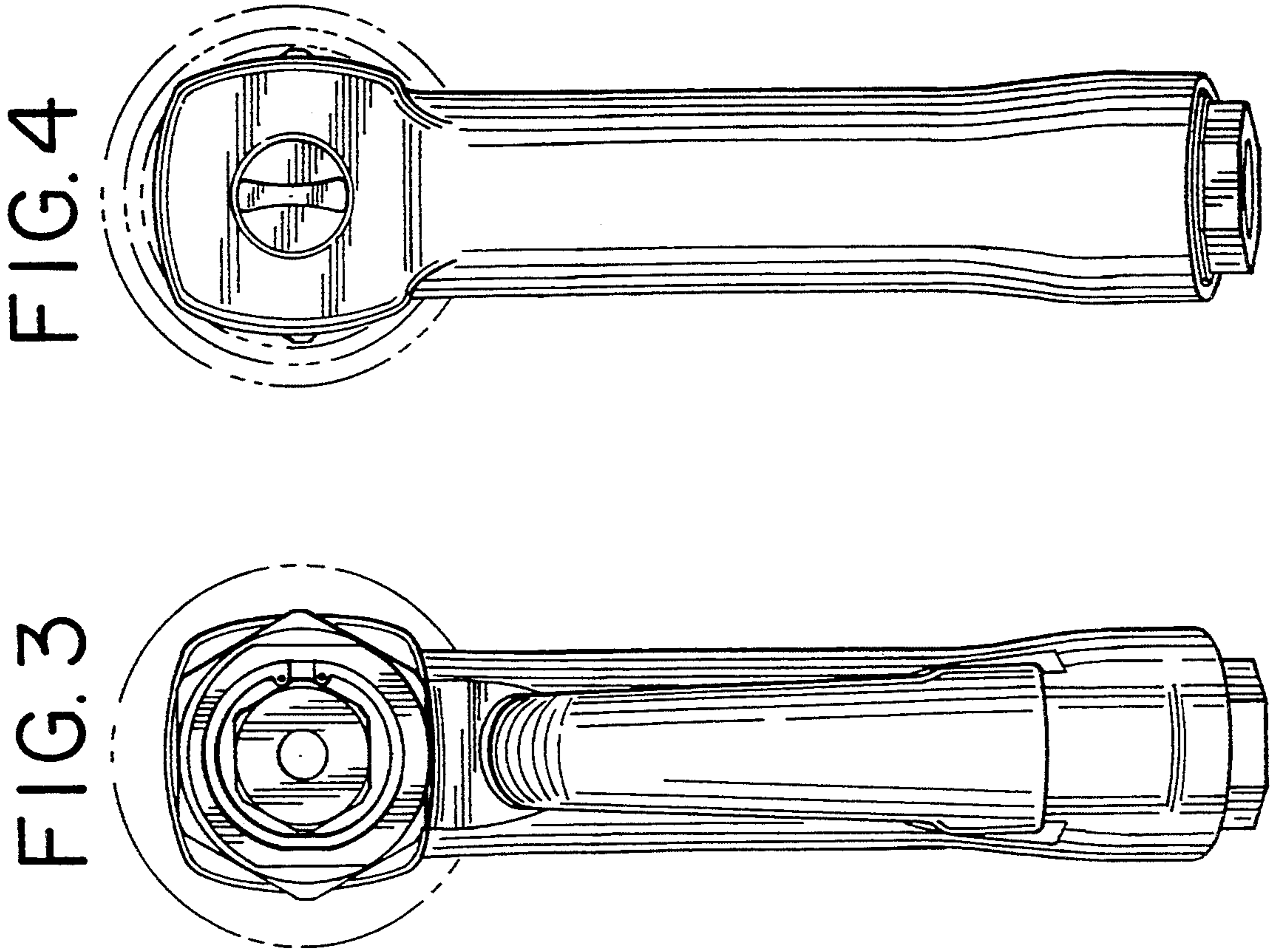


FIG. 4

FIG. 3

FIG. 5

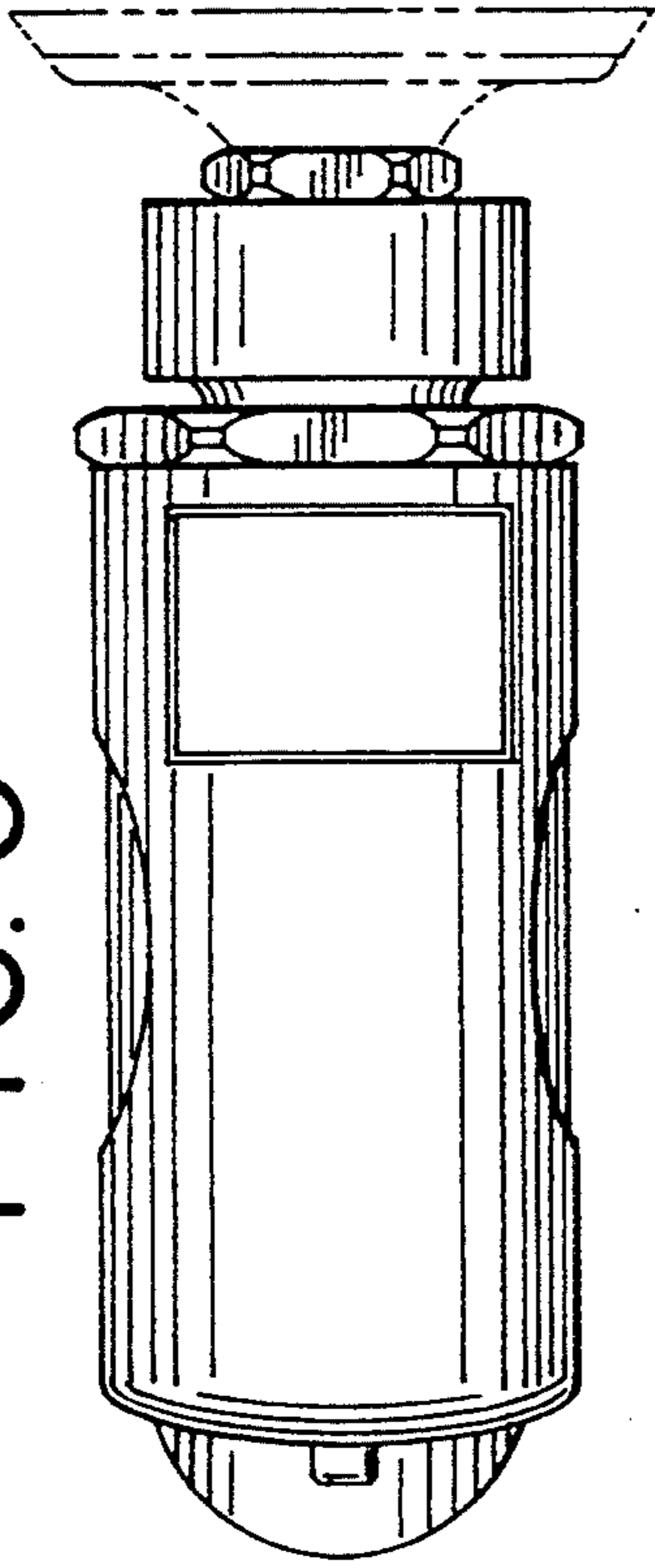


FIG. 6

