



US00D357848S

United States Patent [19]

[11] Patent Number: **Des. 357,848**

Izumisawa

[45] Date of Patent: **** May 2, 1995**

[54] **ANGLE HEAD DIE GRINDER**

[75] Inventor: **Osamu Izumisawa**, Tokyo, Japan

[73] Assignee: **Shinano Pneumatic Industries, Inc.**,
Japan

[**] Term: **14 Years**

[21] Appl. No.: **18,621**

[22] Filed: **Feb. 10, 1994**

[52] U.S. Cl. **D8/62**

[58] Field of Search **D8/61, 62; 173/170;**
51/170 PT, 170 R, 170 T, 170 TL, 170 MT

[56] **References Cited**

U.S. PATENT DOCUMENTS

D. 333,077	2/1993	Mikiya	D8/62
D. 333,766	3/1993	Albert et al.	D8/62
D. 336,729	6/1993	Kishi	D8/62
D. 347,153	5/1994	Uneyama	D8/62

OTHER PUBLICATIONS

Shinano Pneumatic Industries Inc., SP Pneumatic Tools, p. 17 Prior to Feb. 10, 1993.

Primary Examiner—Alan P. Douglas

Assistant Examiner—Jeffry H. Musgrove

Attorney, Agent, or Firm—Senniger, Powers, Leavitt & Roedel

[57] **CLAIM**

The ornamental design for angle head die grinder, as shown and described.

DESCRIPTION

FIG. 1 is a right side elevational view of an angle head die grinder showing my new design;

FIG. 2 is a left side elevational view thereof;

FIG. 3 is a top plan view thereof;

FIG. 4 is a bottom plan view thereof;

FIG. 5 is a rear elevational view thereof; and,

FIG. 6 is a front elevational view thereof.

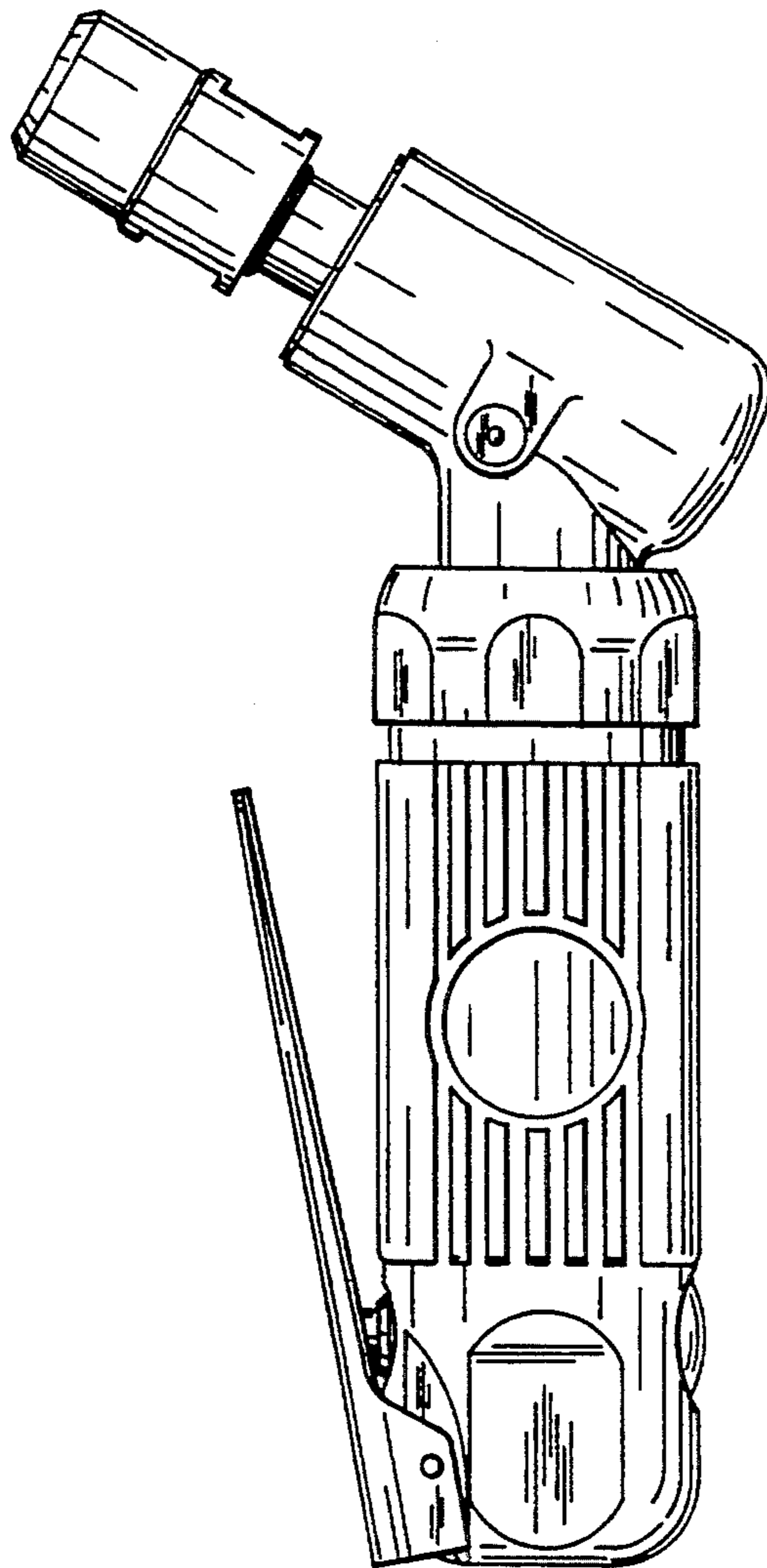


FIG. 1

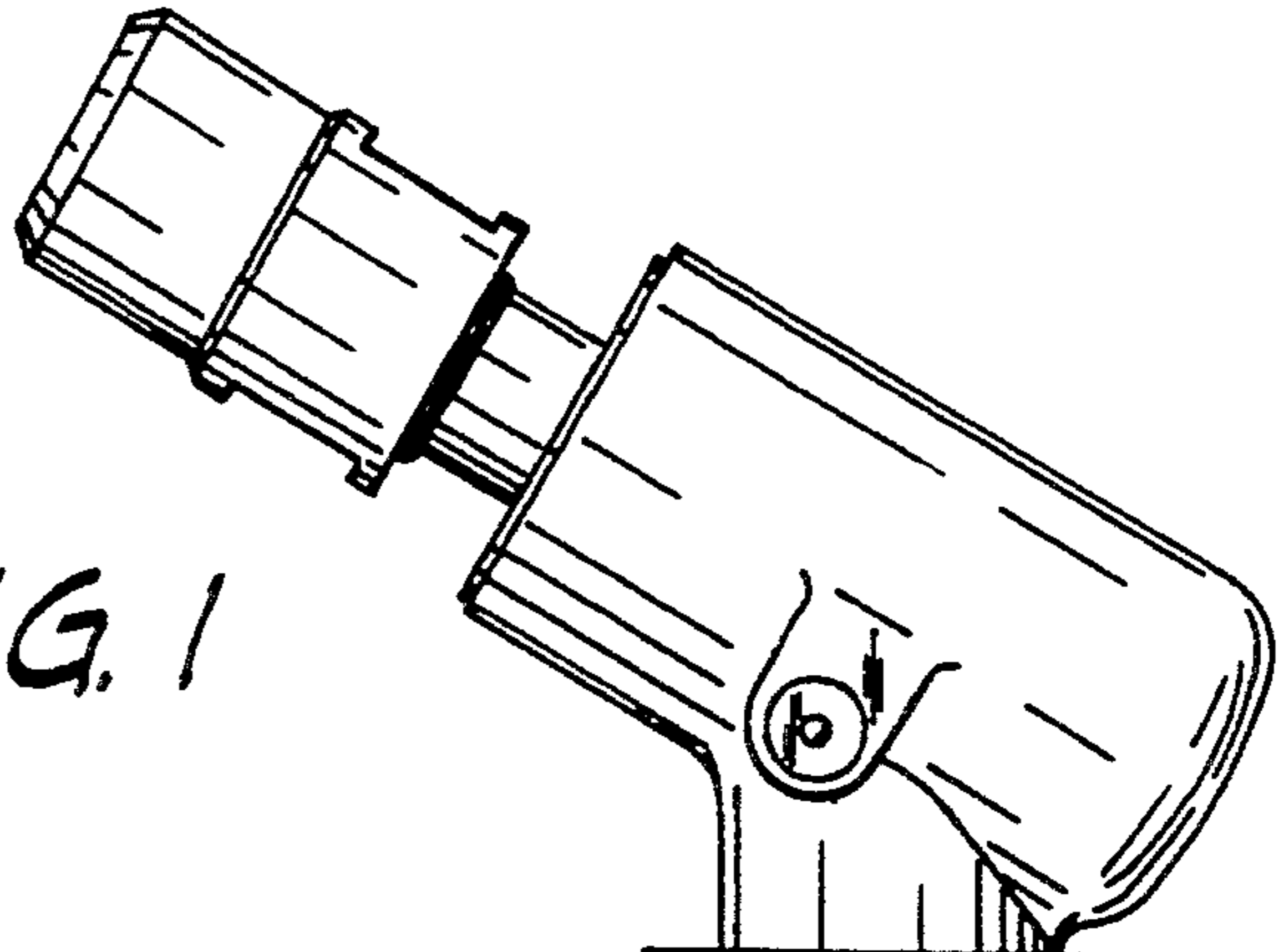


FIG. 2

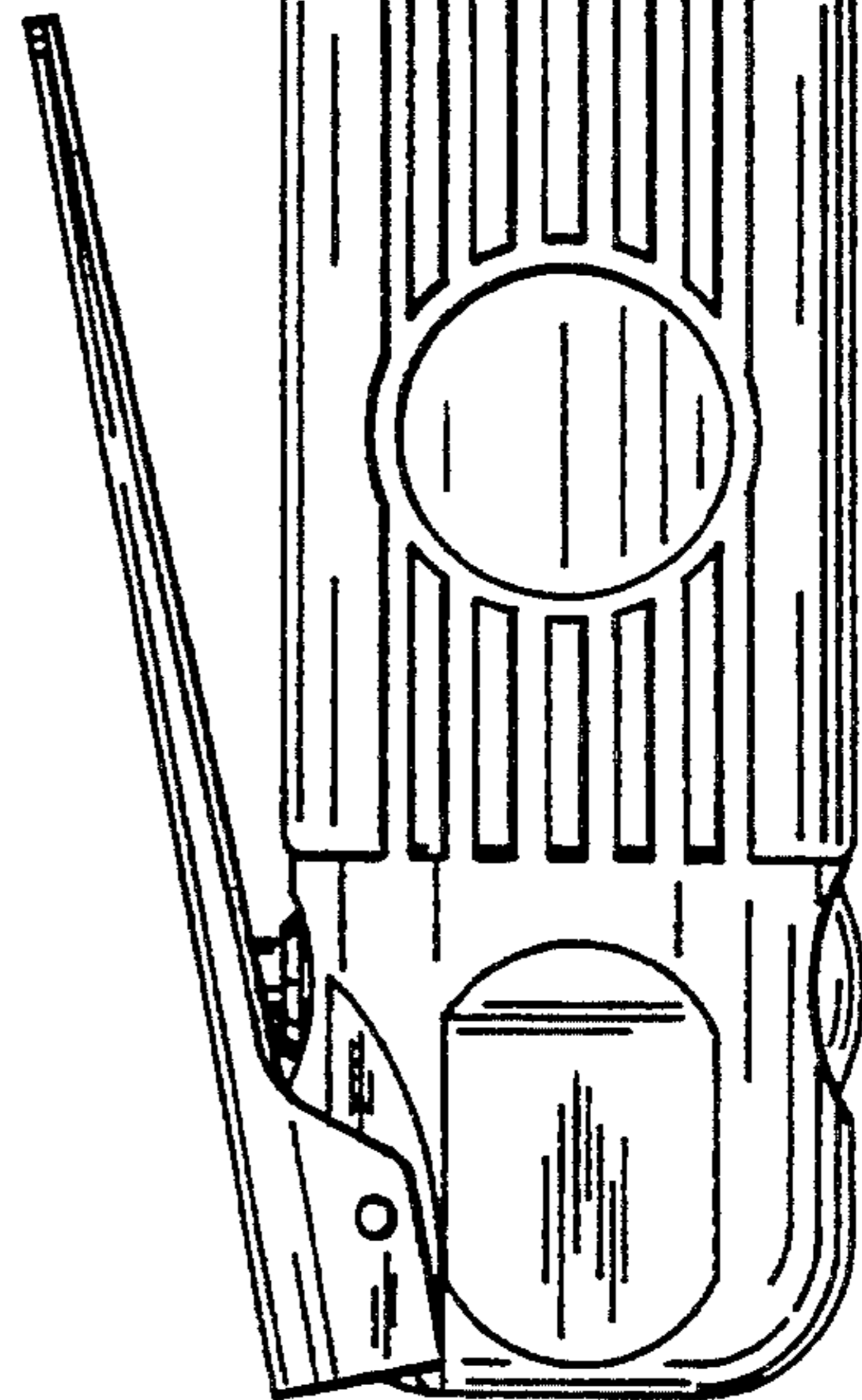
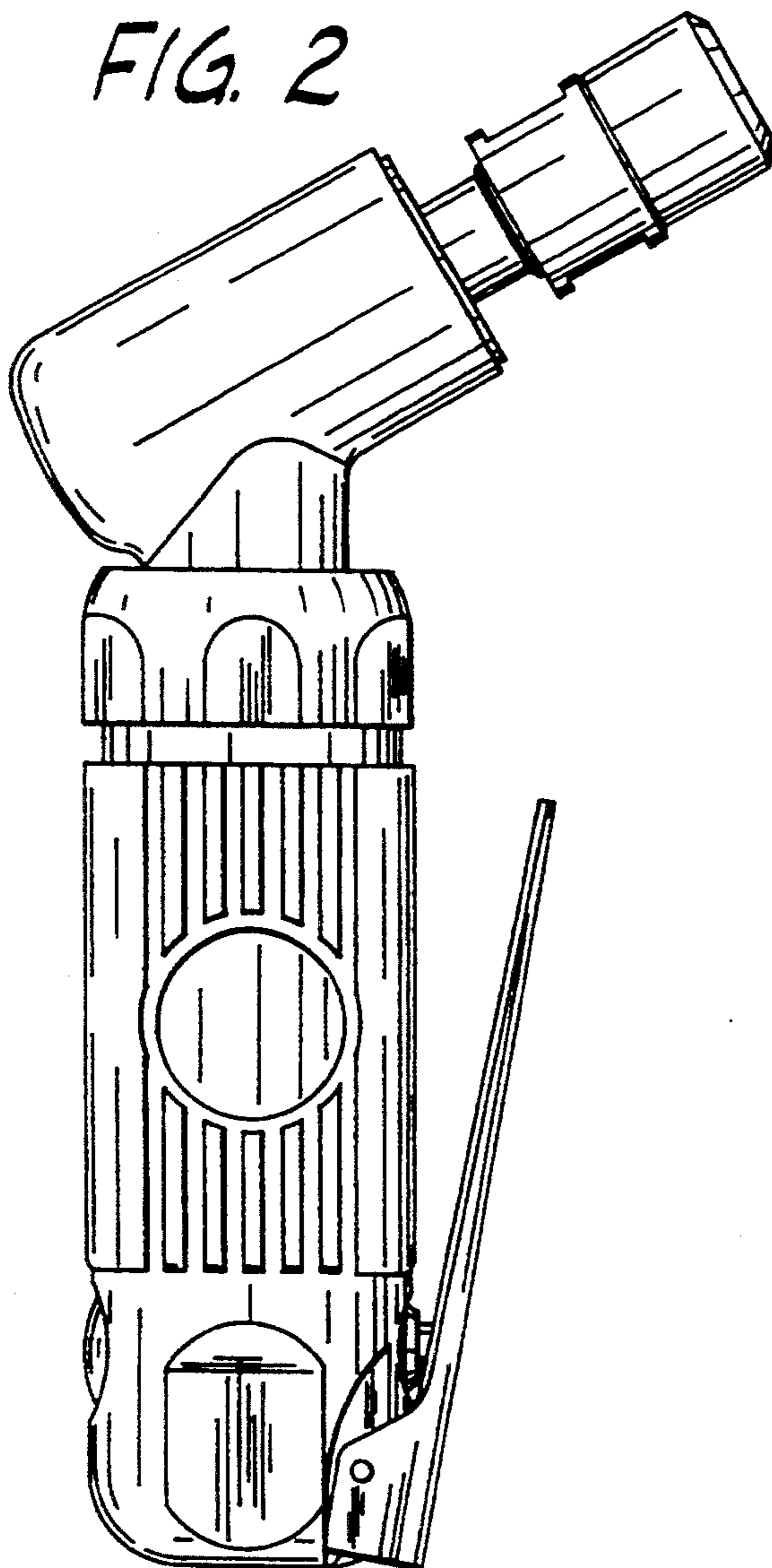


FIG. 3

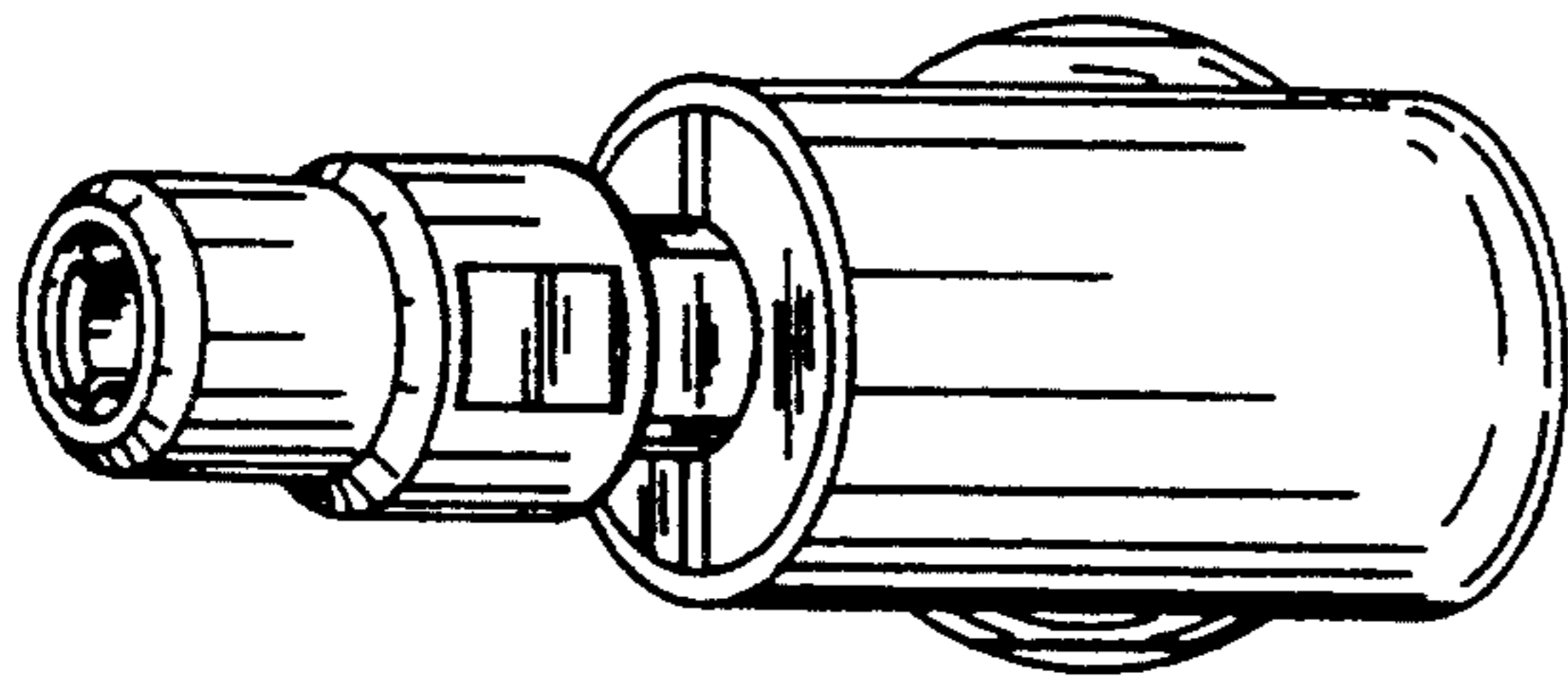


FIG. 4

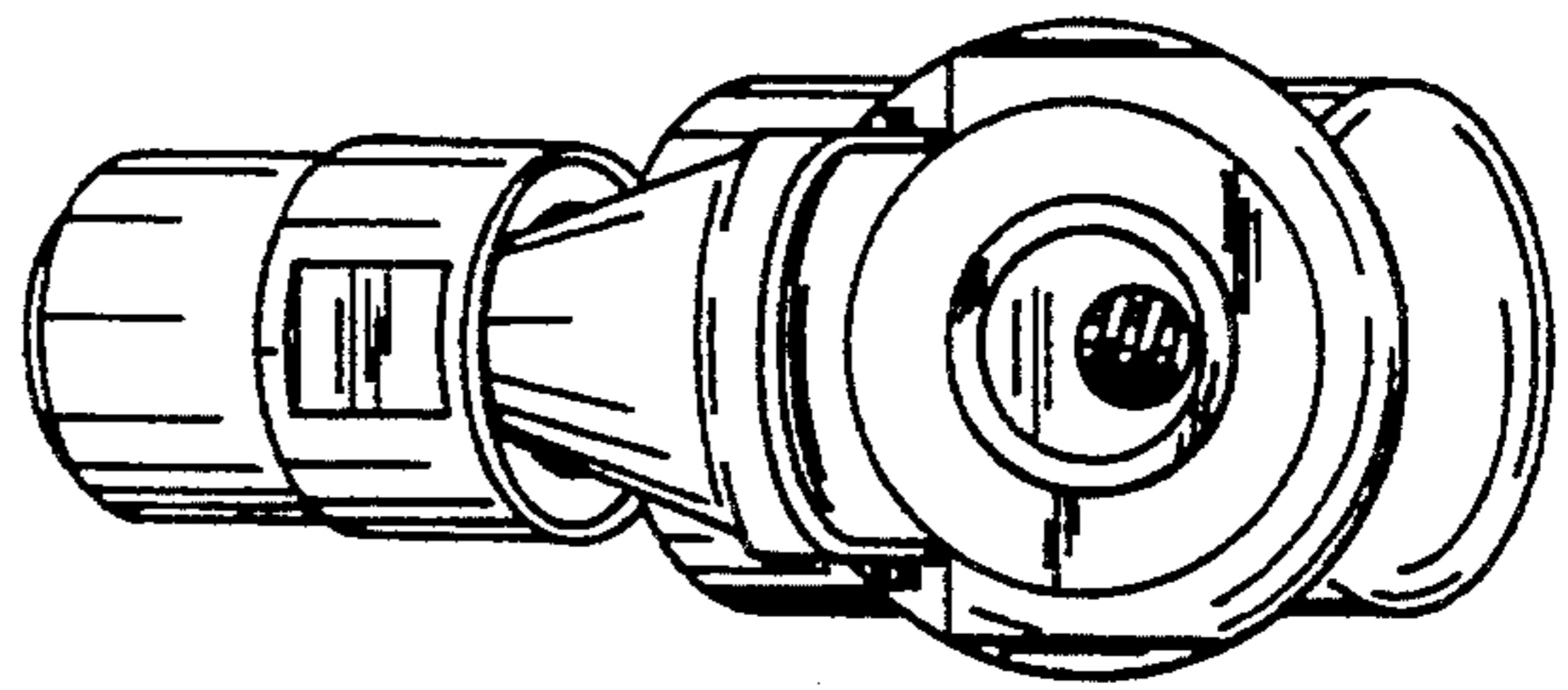


FIG. 5

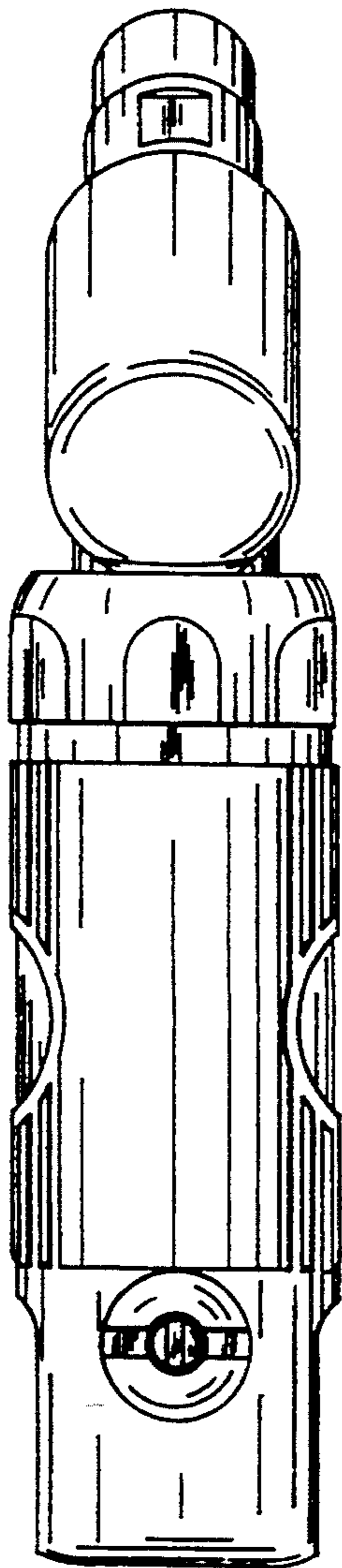


FIG. 6

