



US00D357847S

# United States Patent [19]

[11] Patent Number: **Des. 357,847**

Hoffman

[45] Date of Patent: **\*\* May 2, 1995**

## [54] CUTTING BOARD AND STORAGE UNIT

[75] Inventor: **Harry W. Hoffman, Sheboygan, Wis.**

[73] Assignee: **Bemis Manufacturing Company, Sheboygan Falls, Wis.**

[\*\*] Term: **14 Years**

[21] Appl. No.: **5,222**

[22] Filed: **Feb. 19, 1993**

[52] U.S. Cl. .... **D7/698**

[58] Field of Search ..... **D7/698, 699; D6/448; 269/289 R, 302.1**

### [56] **References Cited**

#### **U.S. PATENT DOCUMENTS**

D. 140,595	3/1945	Browne et al. ....	D7/698
D. 231,542	4/1974	Munson, Jr. ....	D6/448 X
D. 267,463	1/1983	Thompson ....	D7/698
3,837,634	9/1974	Cobb ....	269/289
4,653,737	3/1987	Haskins et al. ....	269/302.1 X

## OTHER PUBLICATIONS

Haeger Potteries, Inc. Hardwood Cutting Board #9025 top right on page.

*W. Bell & Co.* 1982, p. 299; Chopping Block w/Concealed Tray item H center of page.

*Primary Examiner*—Carmen H. Vales-Lado

*Attorney, Agent, or Firm*—Michael, Best & Friedrich

## [57] **CLAIM**

The ornamental design for a cutting board and storage unit, as shown and described.

## **DESCRIPTION**

FIG. 1 is a top plan view of a cutting board and storage unit showing my new design;

FIG. 2 is a side elevational view, the opposite side elevational view being a mirror image thereof;

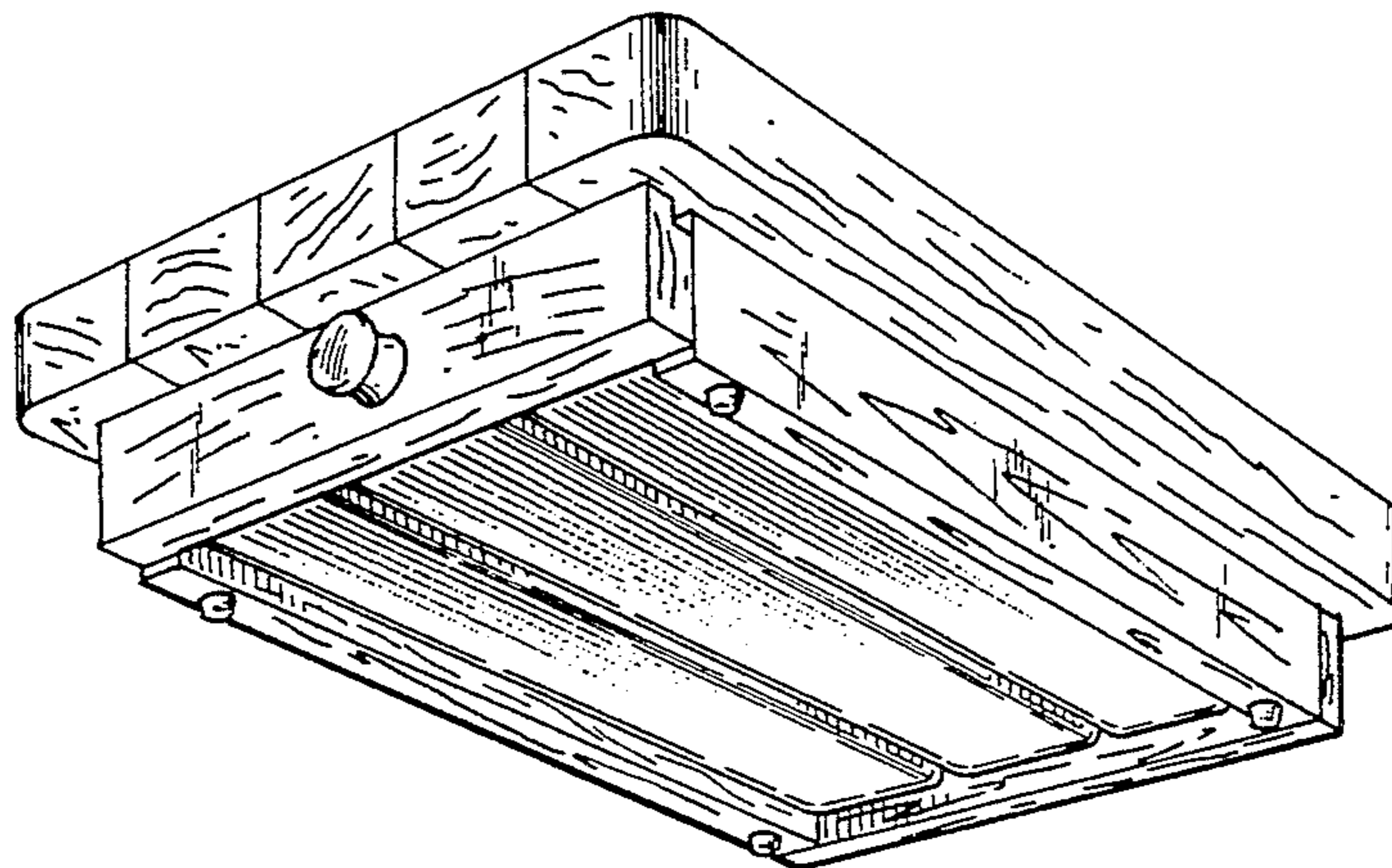
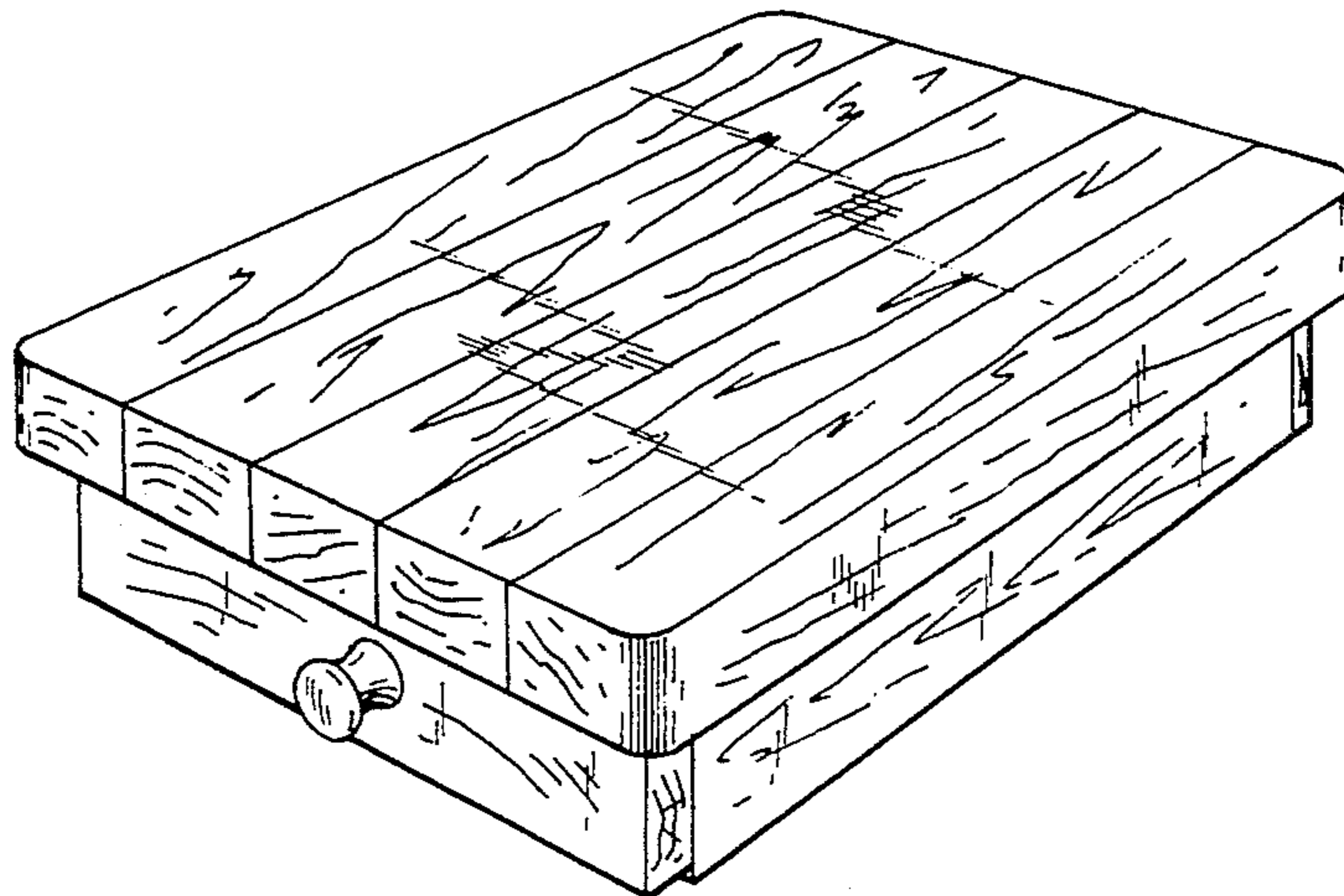
FIG. 3 is a bottom plan view;

FIG. 4 is a front elevational view;

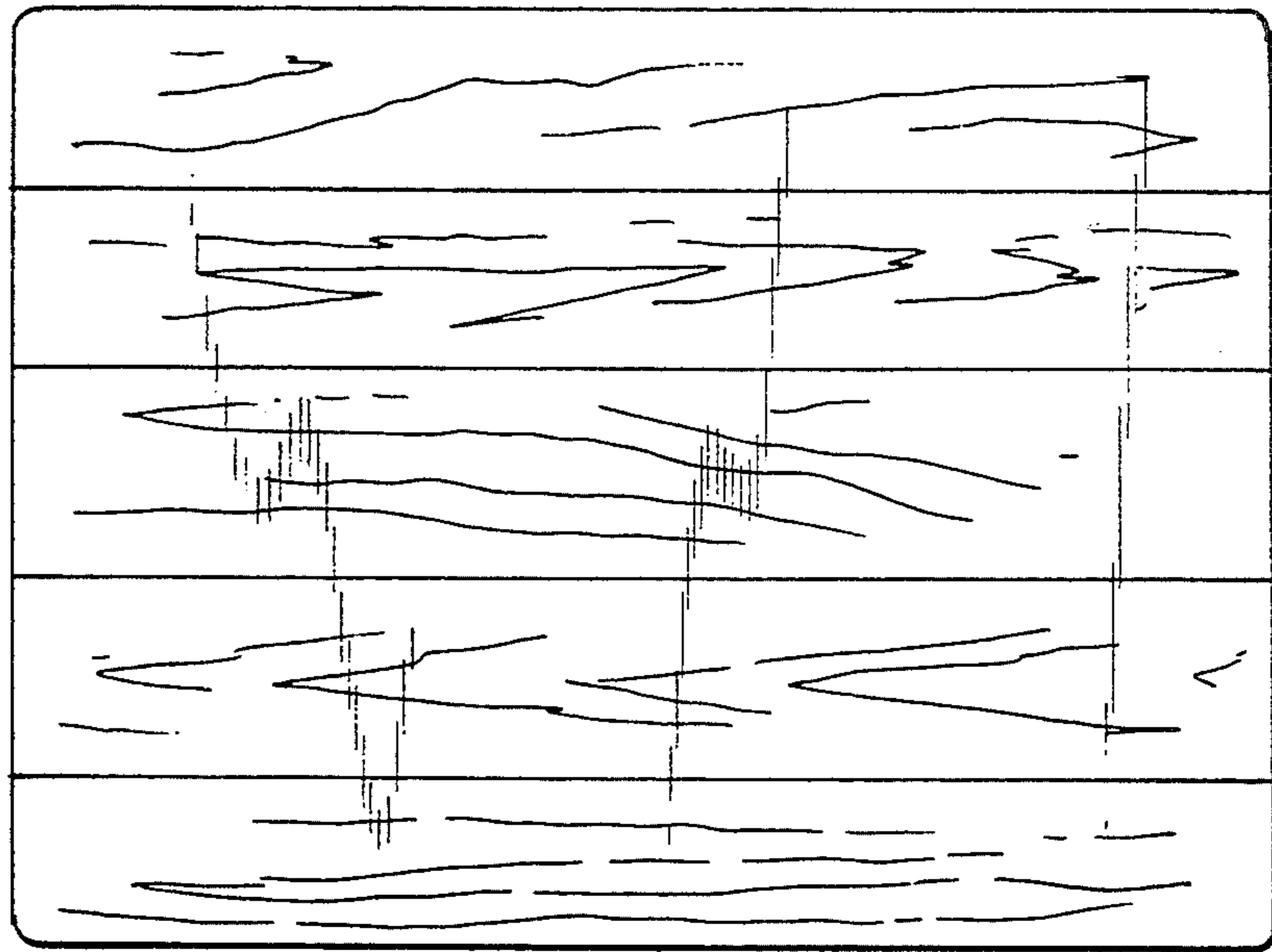
FIG. 5 is a rear elevational view;

FIG. 6 is a top perspective view thereof; and,

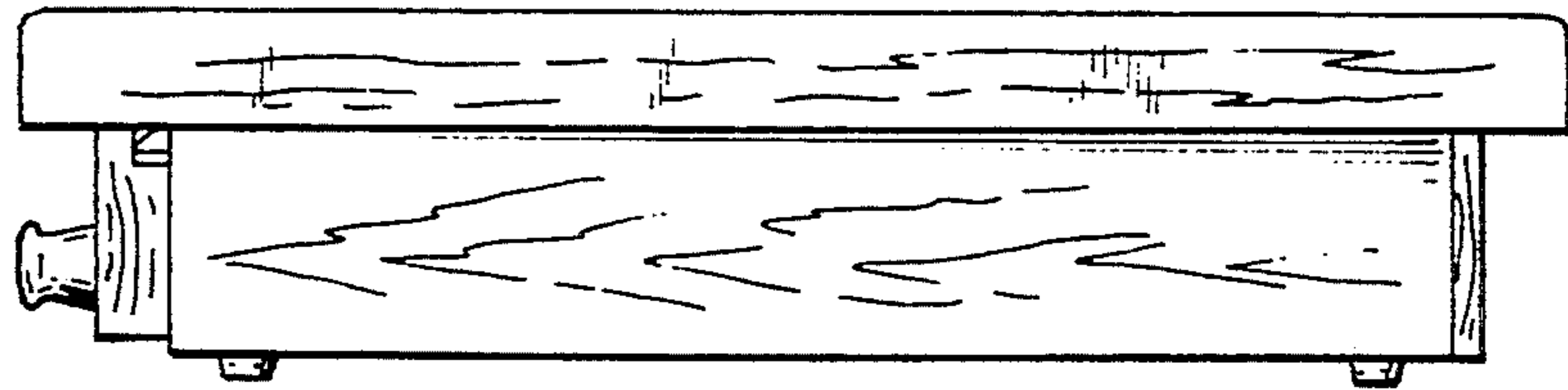
FIG. 7 is a bottom perspective view thereof.



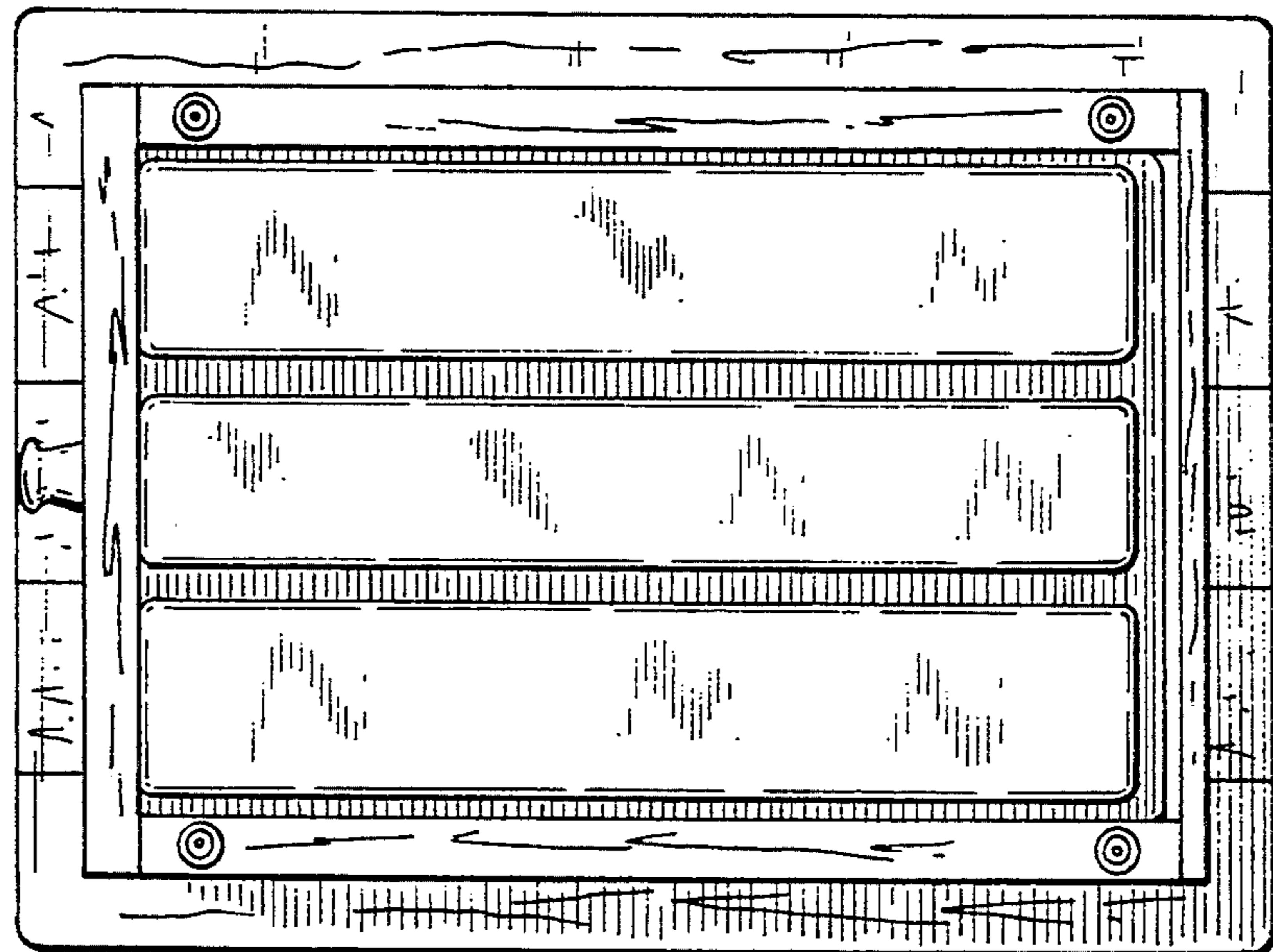
*Fig. 1*

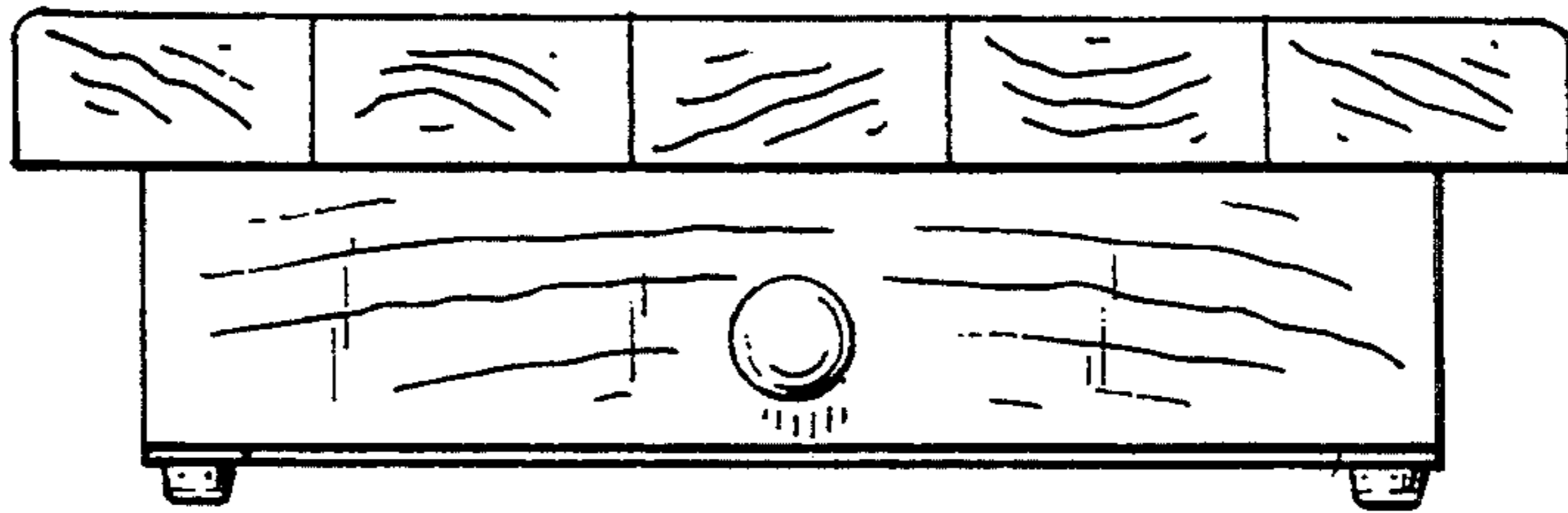


*Fig. 2*

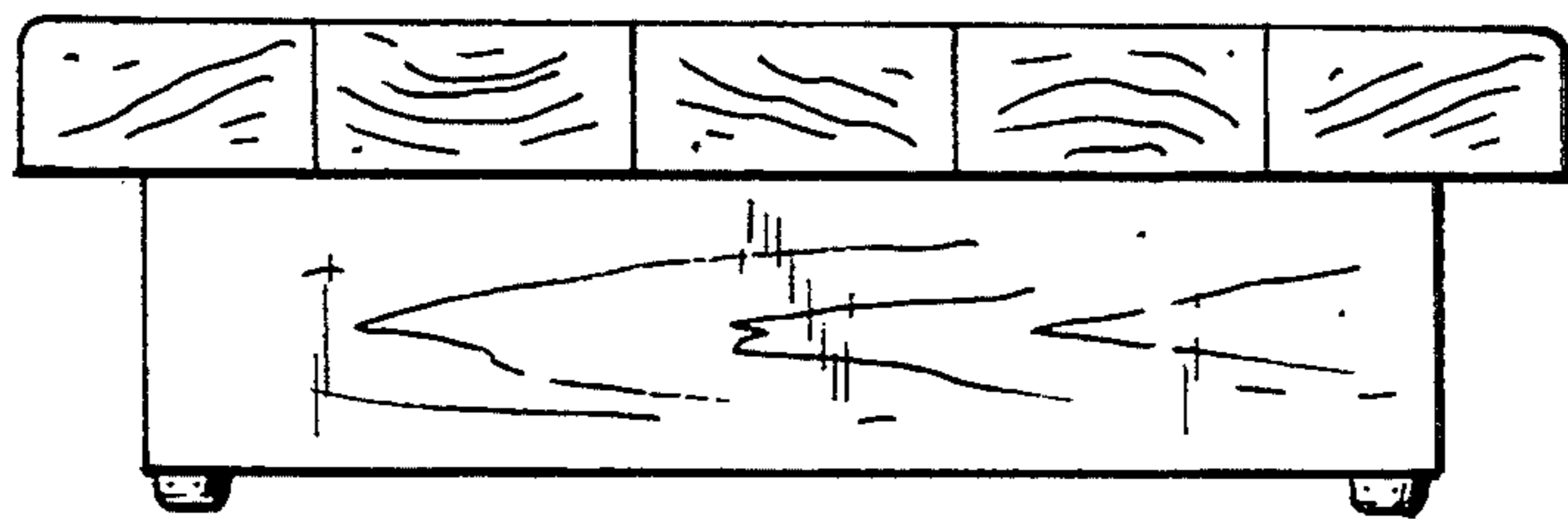


*Fig. 3*

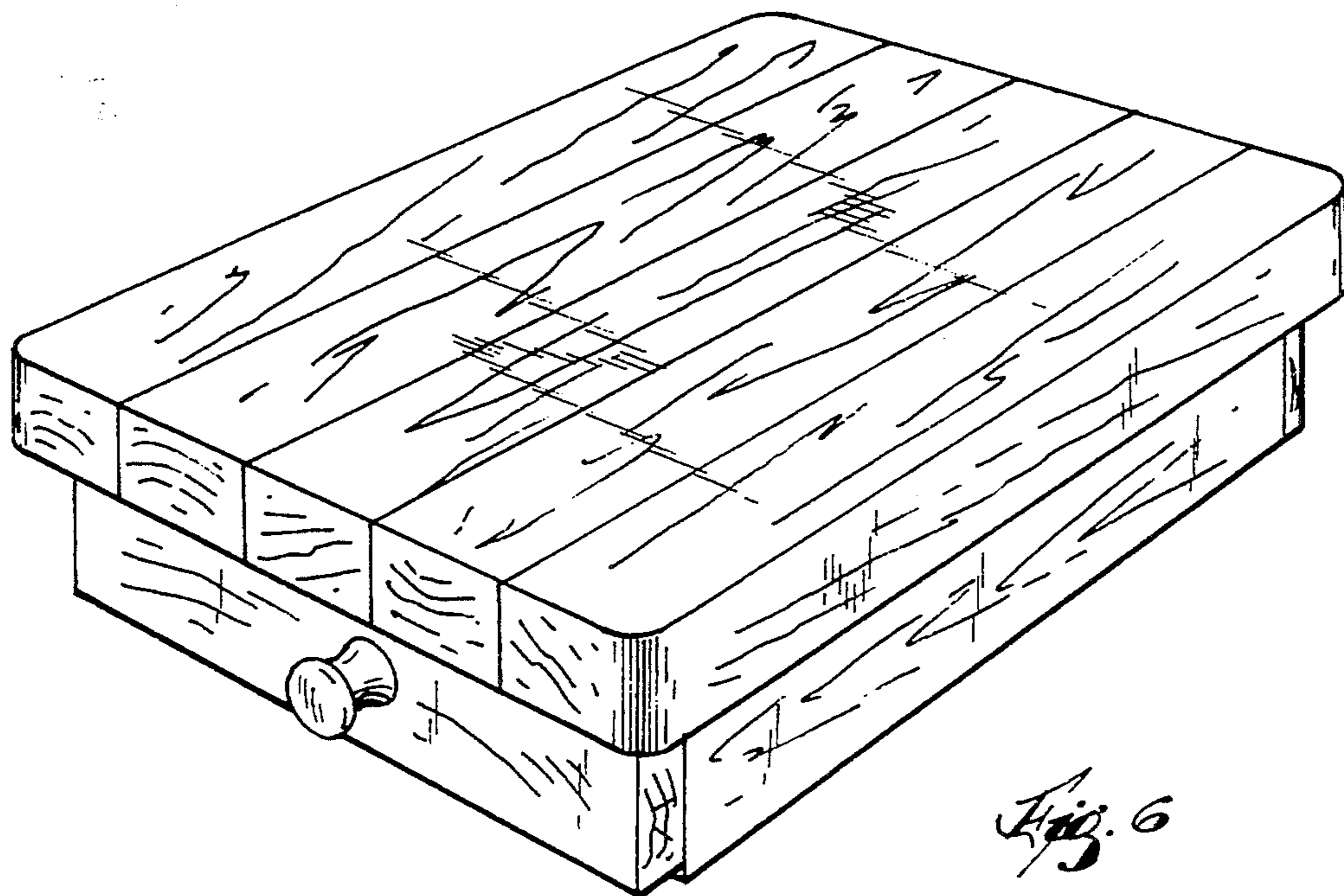




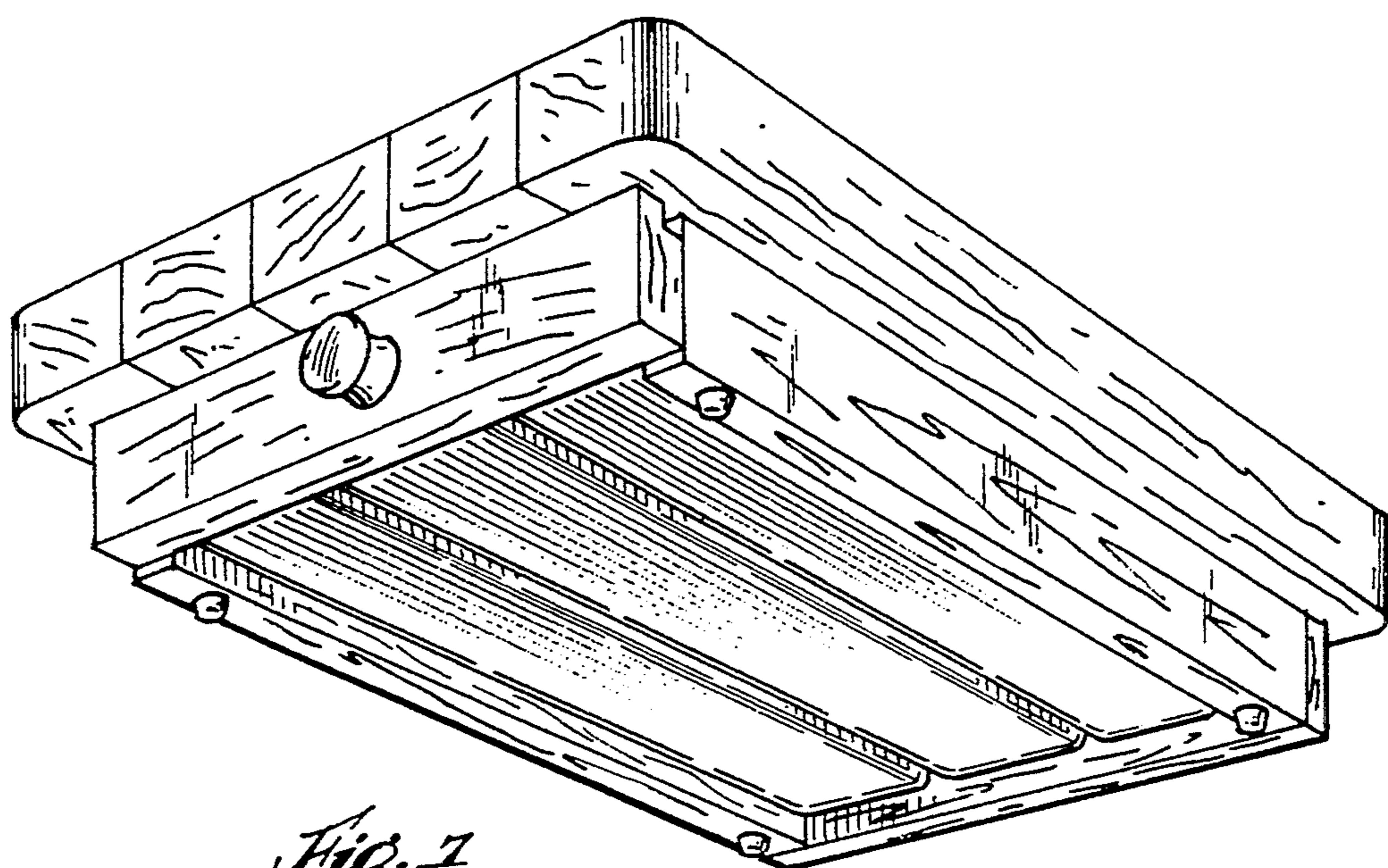
*Fig. 4*



*Fig. 5*



*Fig. 6*



*Fig. 7*