



US00D357846S

United States Patent [19]

[11] Patent Number: **Des. 357,846**

McNaughton

[45] Date of Patent: **** May 2, 1995**

[54] TOASTER TONG

- [75] Inventor: **Patrick J. McNaughton,**
Minneapolis, Minn.
- [73] Assignee: **McNaughton Incorporated,**
Minneapolis, Minn.
- [**] Term: **14 Years**
- [21] Appl. No.: **19,563**
- [22] Filed: **Mar. 4, 1994**
- [52] U.S. Cl. **D7/686**
- [58] Field of Search **D7/686, 666; 294/3,**
294/8.5, 11, 28, 99.1, 99.2, 119

[56] References Cited

U.S. PATENT DOCUMENTS

- D. 299,996 2/1989 Tucker et al. **D7/686**
- 4,226,459 10/1980 Natalicio **294/99.2**

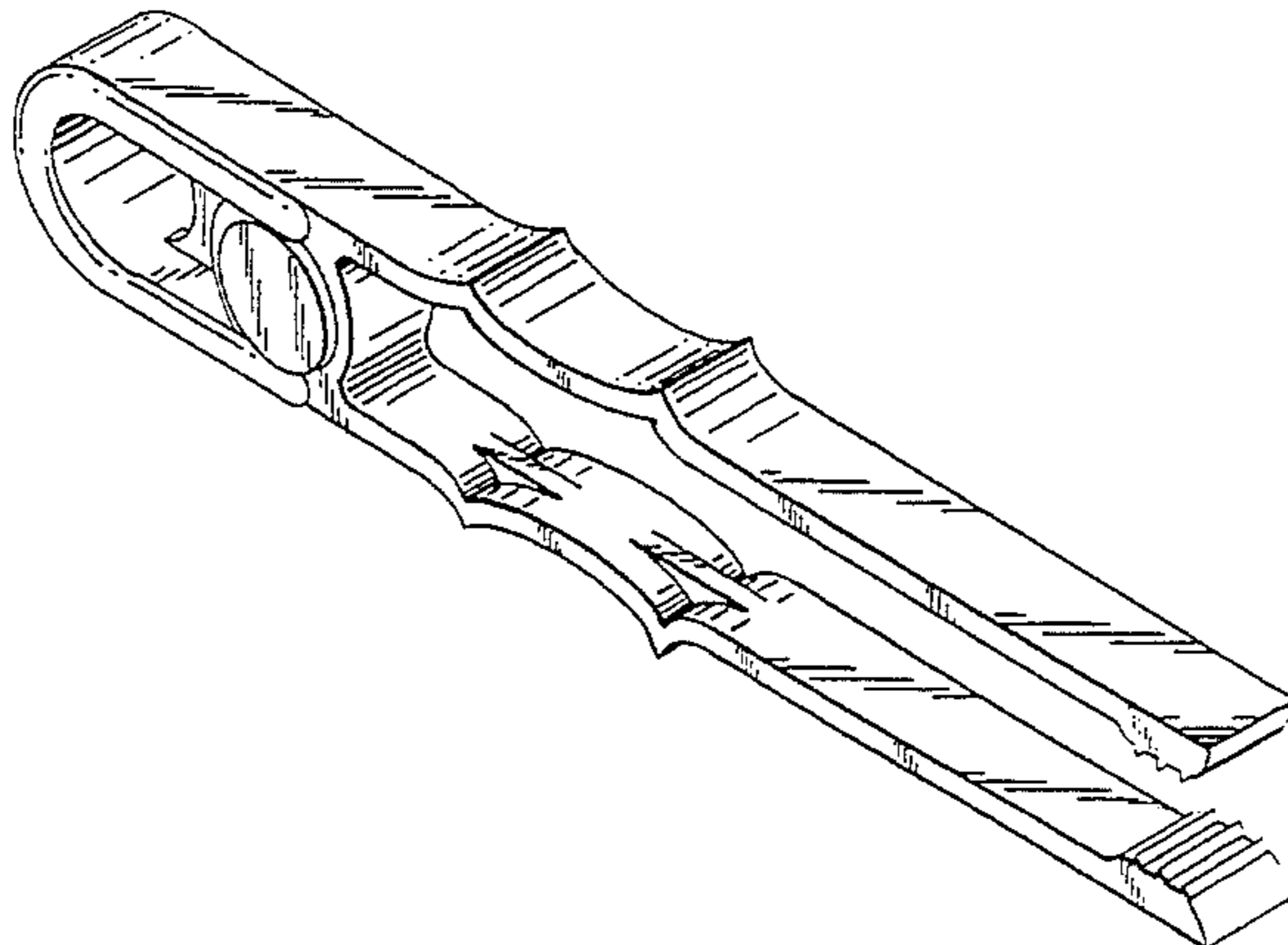
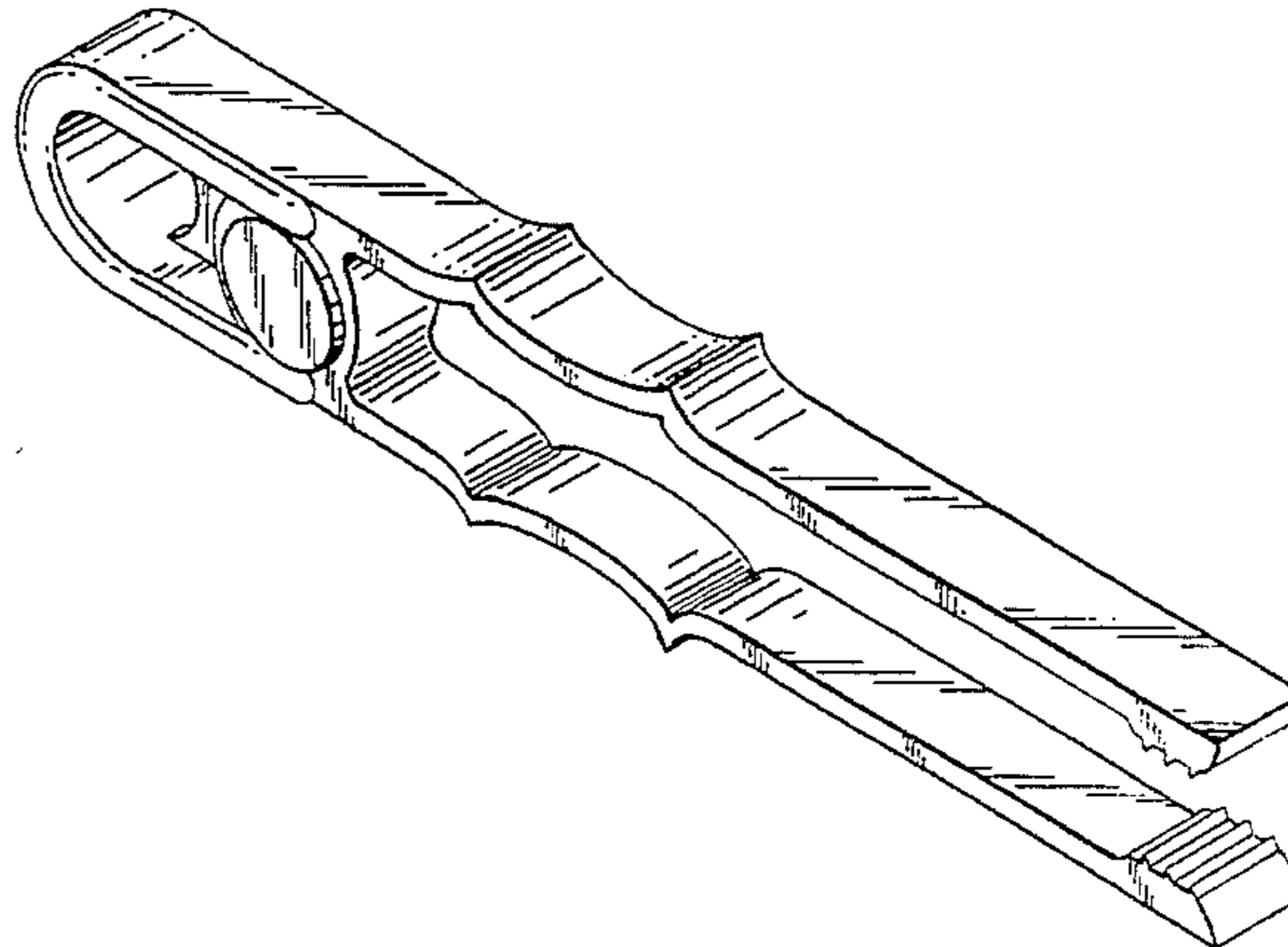
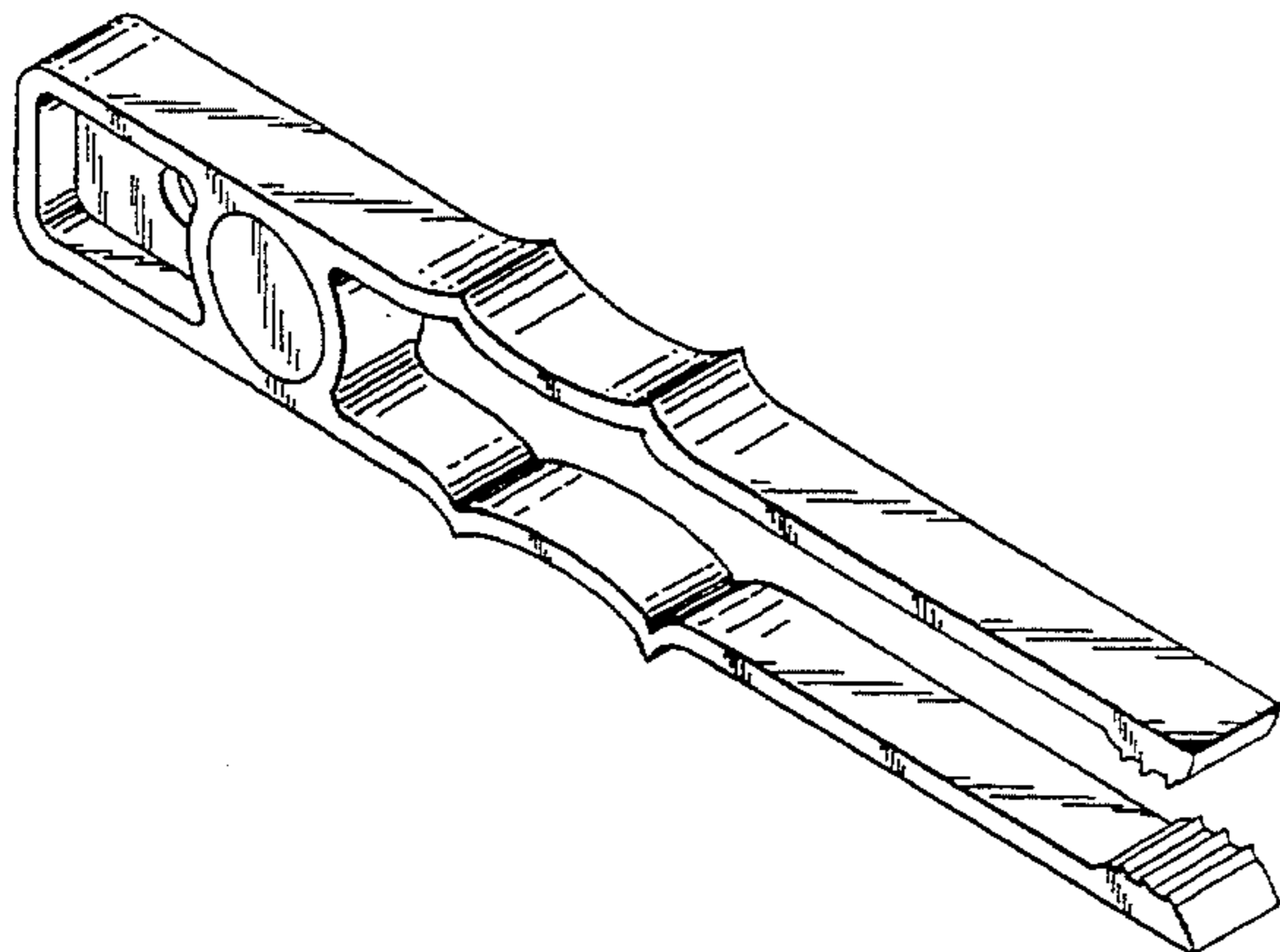
Primary Examiner—Terry A. Wallace
Attorney, Agent, or Firm—Kinney & Lange

[57] CLAIM

The ornamental design for toaster tong, as shown and described.

DESCRIPTION

FIG. 1 is a perspective view of the toaster tong showing my new design;
 FIG. 2 is a front elevation view thereof;
 FIG. 3 is a rear elevation view thereof;
 FIG. 4 is a left side elevation view thereof;
 FIG. 5 is a right side elevation view thereof;
 FIG. 6 is a top plan view thereof;
 FIG. 7 is a bottom plan view thereof;
 FIG. 8 is a perspective view of an alternate embodiment of FIG. 1;
 FIG. 9 is a front elevation view of FIG. 8;
 FIG. 10 is a rear elevation view of FIG. 8;
 FIG. 11 is a left side elevation view of FIG. 8;
 FIG. 12 is a right side elevation of FIG. 8;
 FIG. 13 is a top plan view of FIG. 8;
 FIG. 14 is a bottom plan view of FIG. 8;
 FIG. 15 is a perspective view of an alternate embodiment of FIG. 1;
 FIG. 16 is a front elevation view of FIG. 15;
 FIG. 17 is a rear elevation view of FIG. 15;
 FIG. 18 is a left side elevation of FIG. 15;
 FIG. 19 is a right side elevation of FIG. 15;
 FIG. 20 is a top plan view of FIG. 15; and,
 FIG. 21 is bottom plan view of FIG. 15.



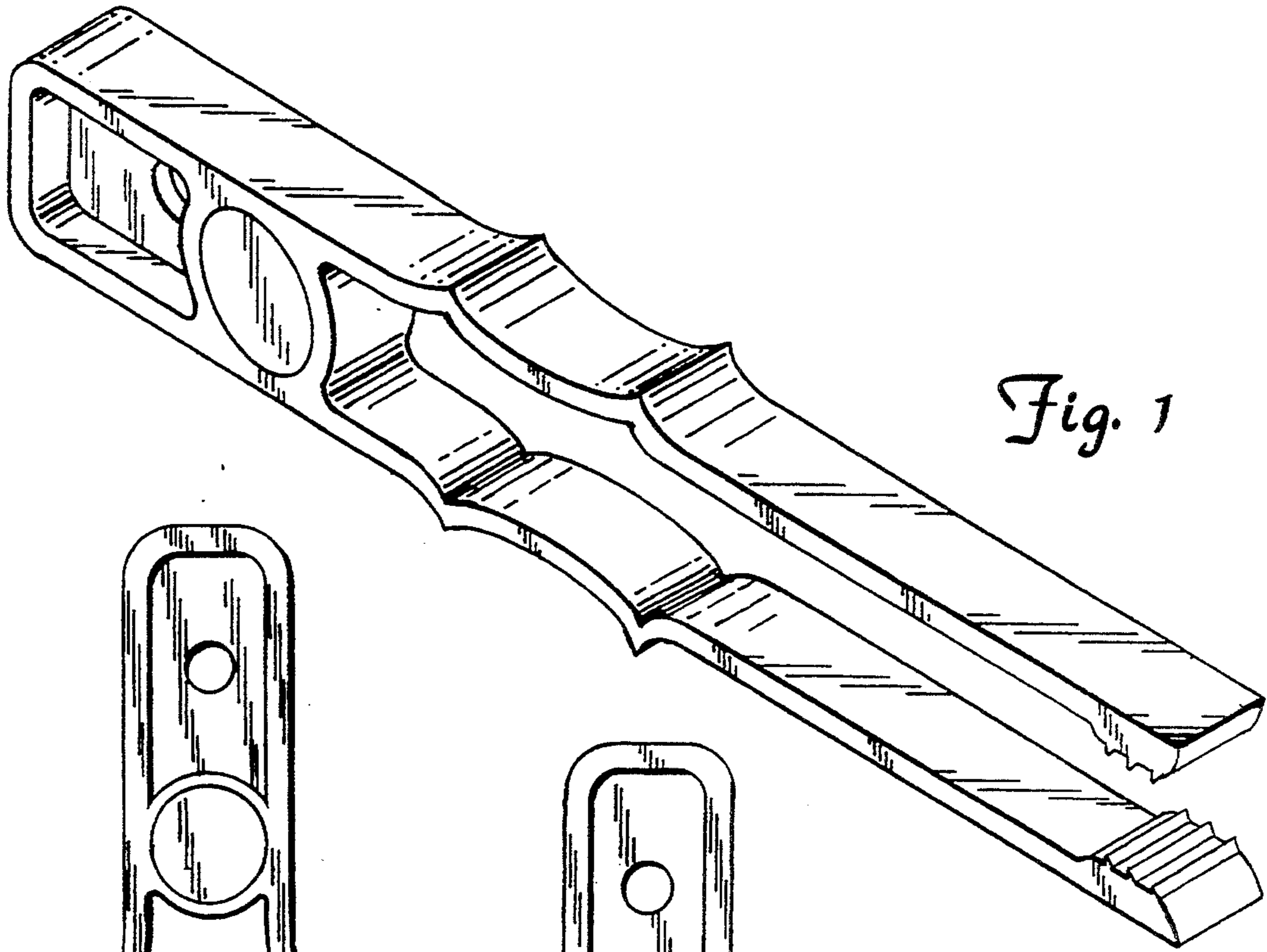


Fig. 1

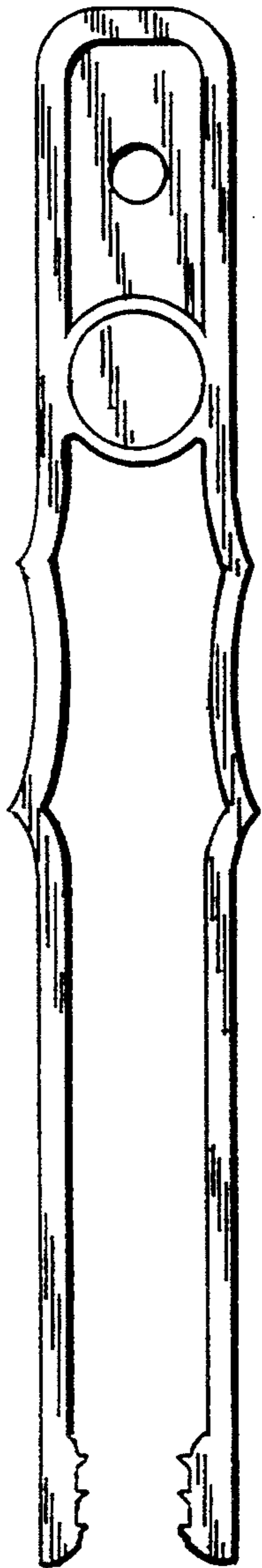


Fig. 2

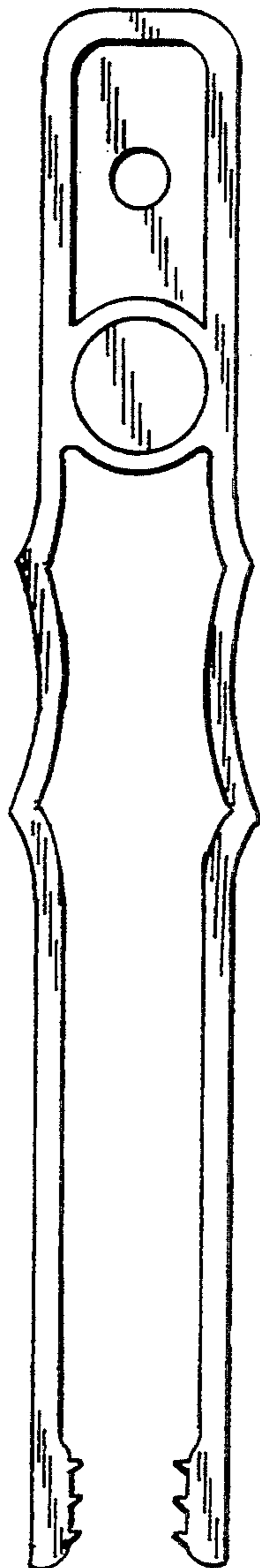


Fig. 3



Fig. 4



Fig. 5

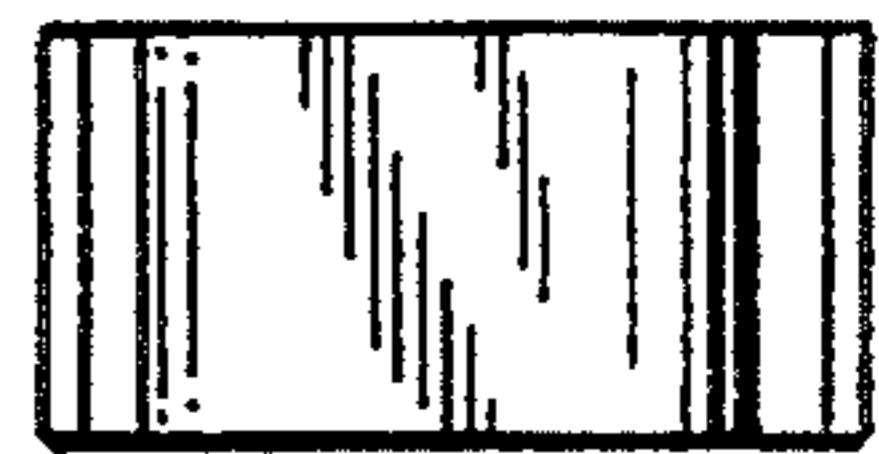


Fig. 6



Fig. 7

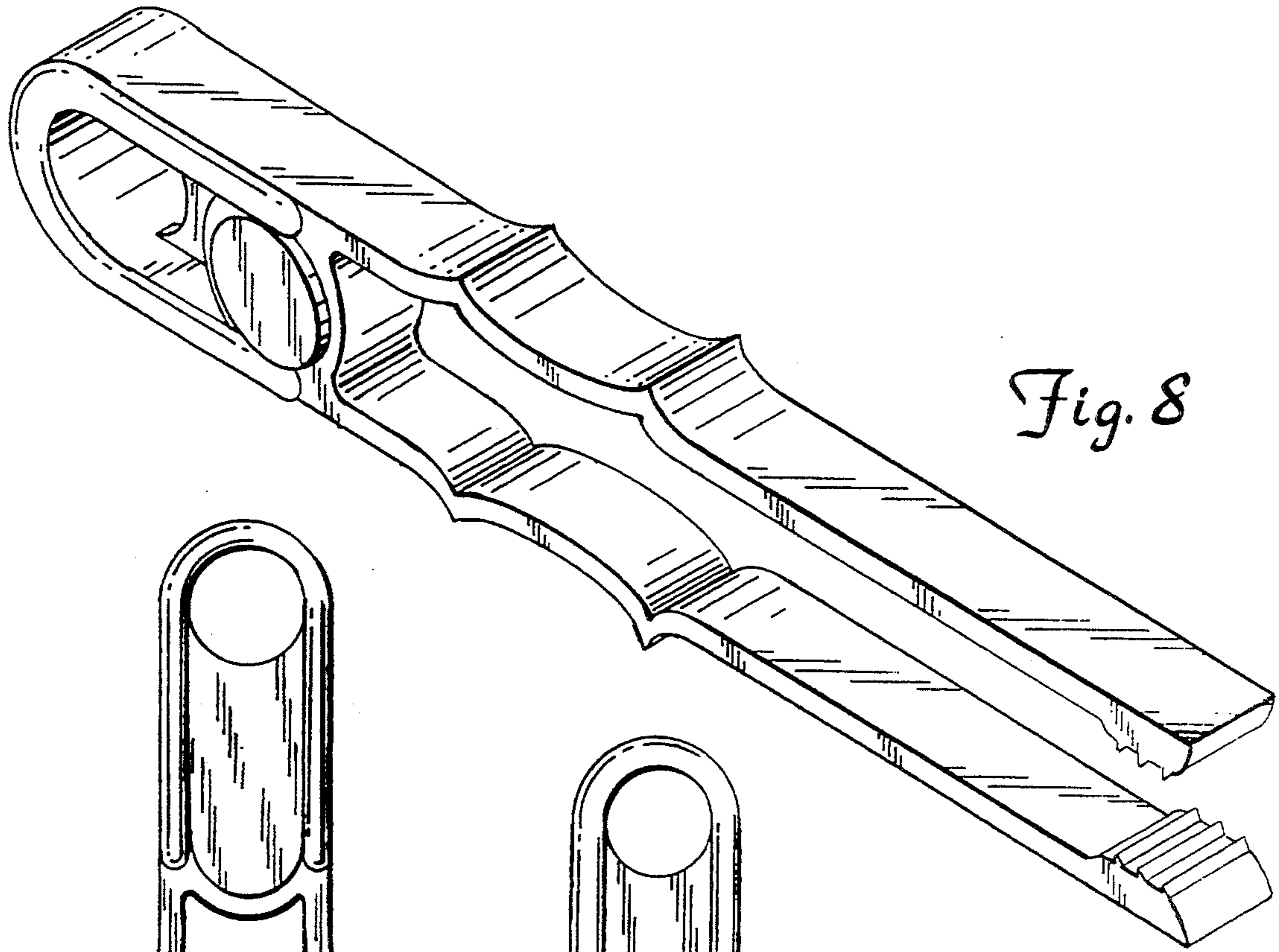


Fig. 8

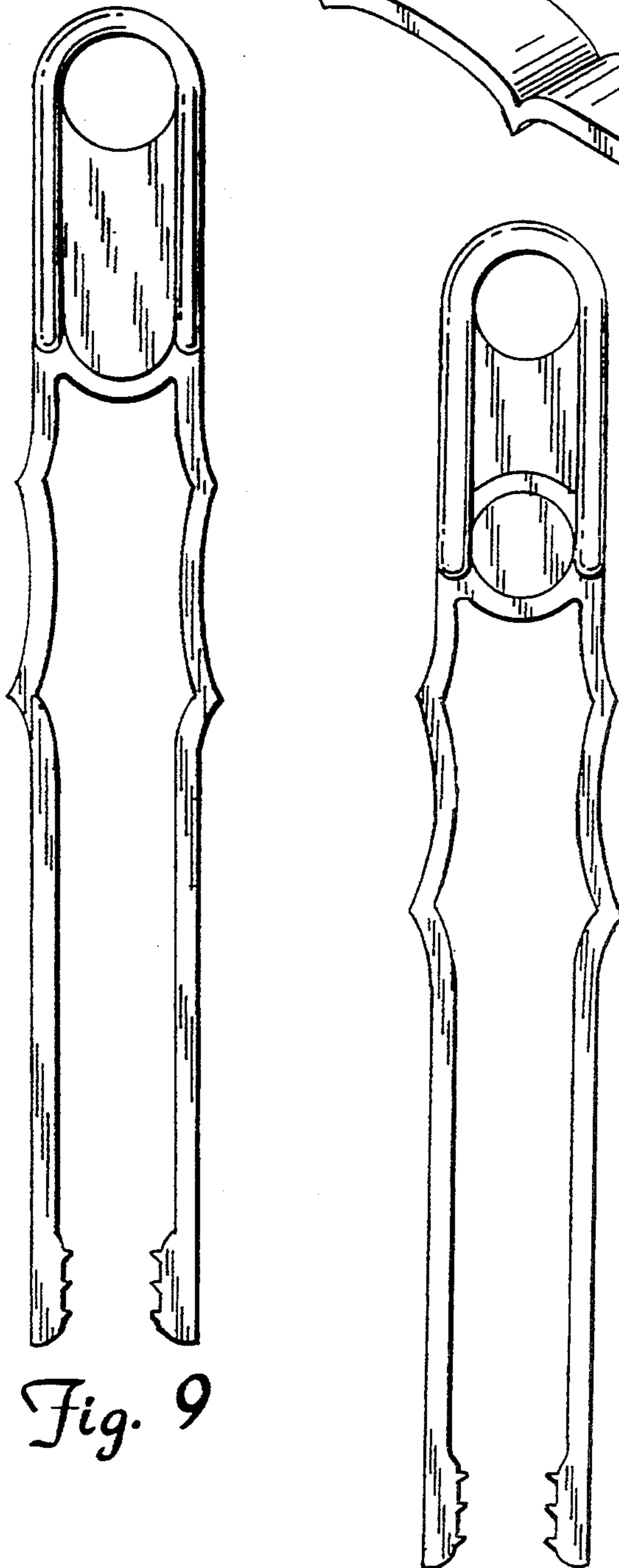


Fig. 9

Fig. 10

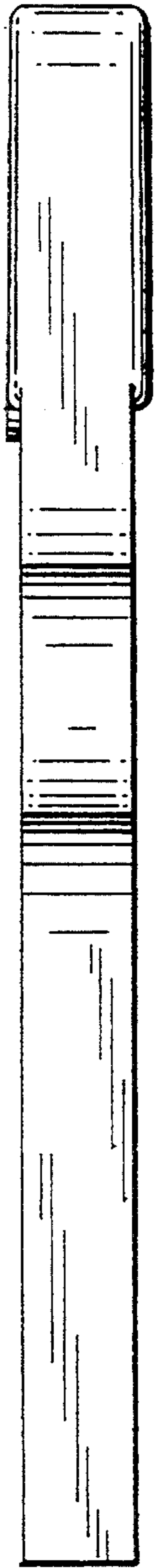


Fig. 11

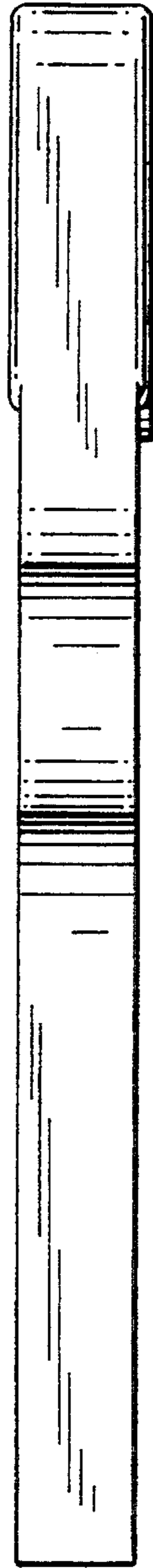


Fig. 12

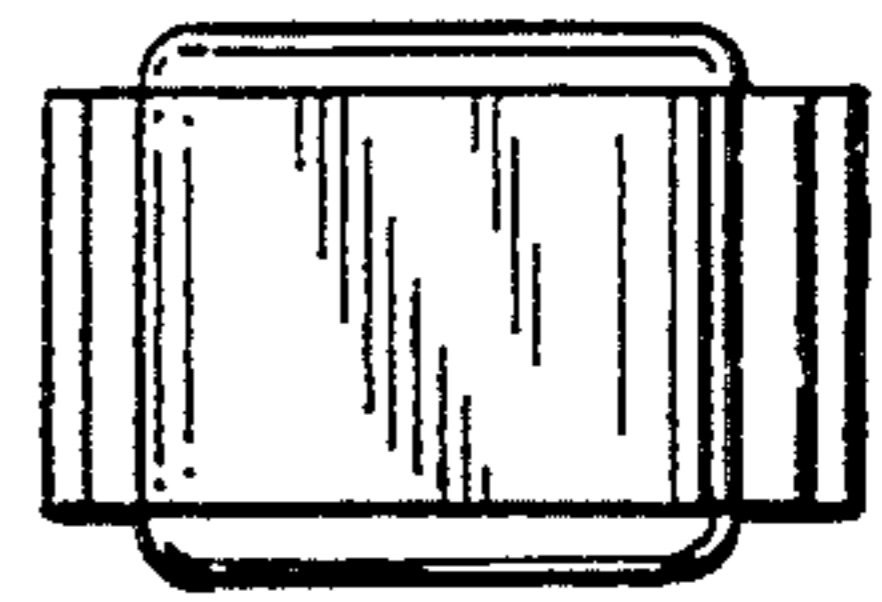


Fig. 13

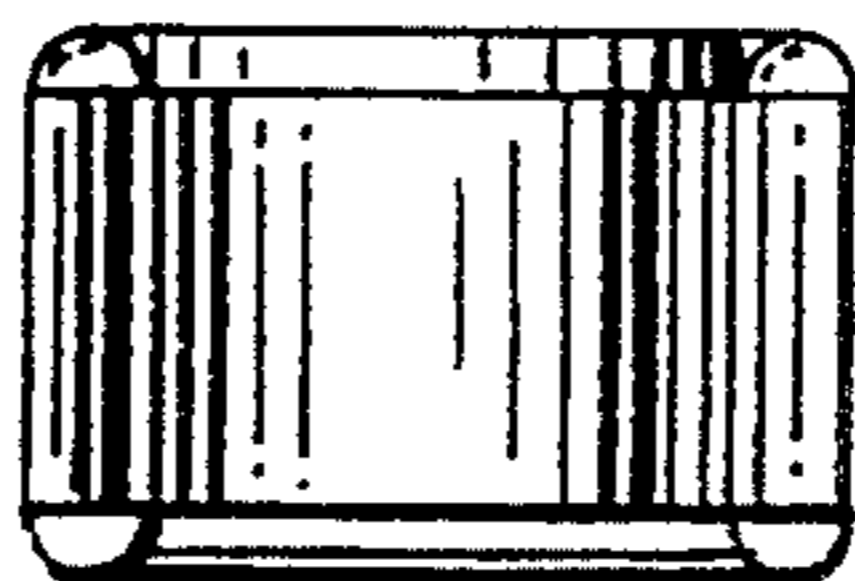


Fig. 14

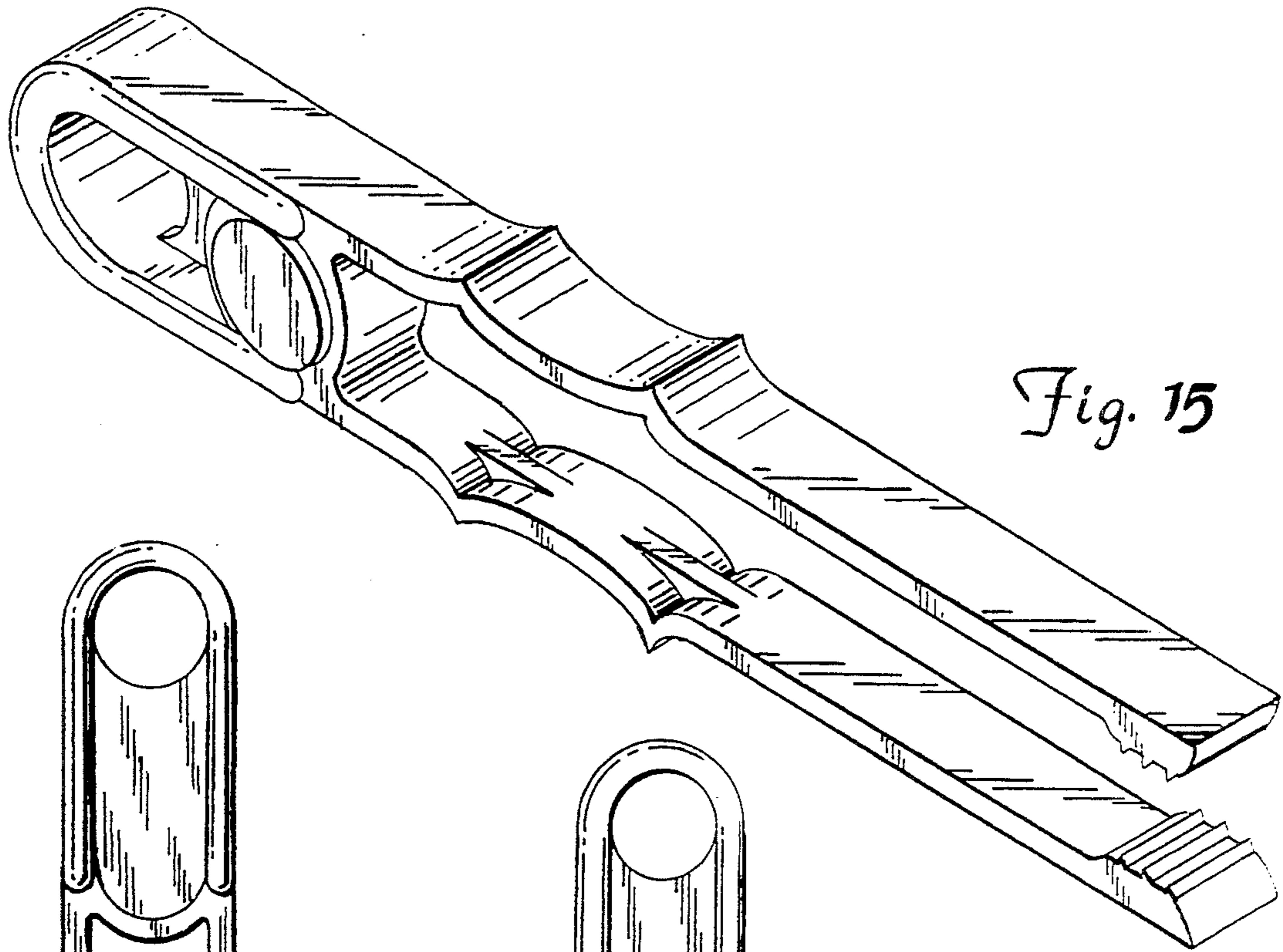


Fig. 15

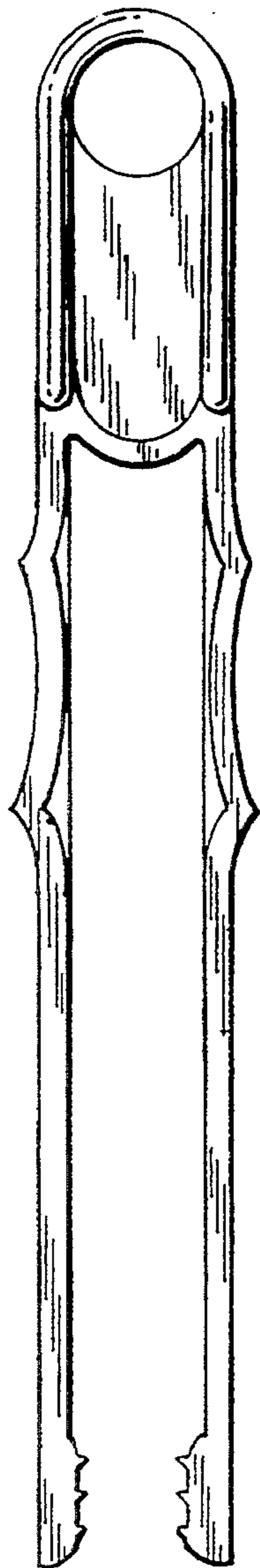


Fig. 16

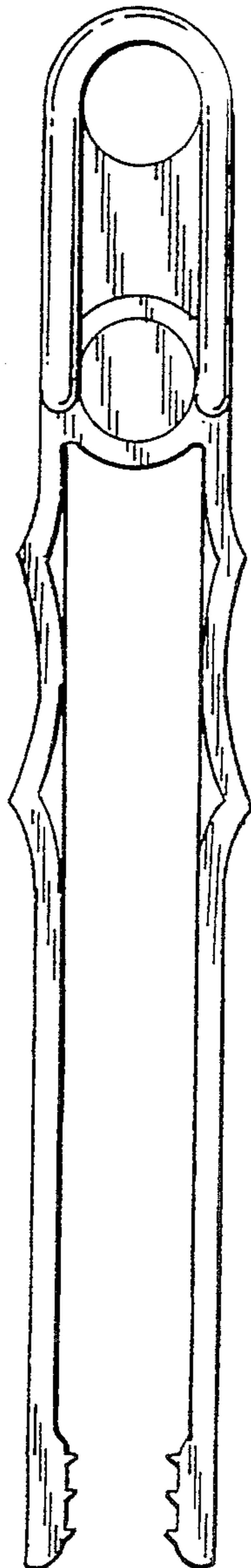


Fig. 17

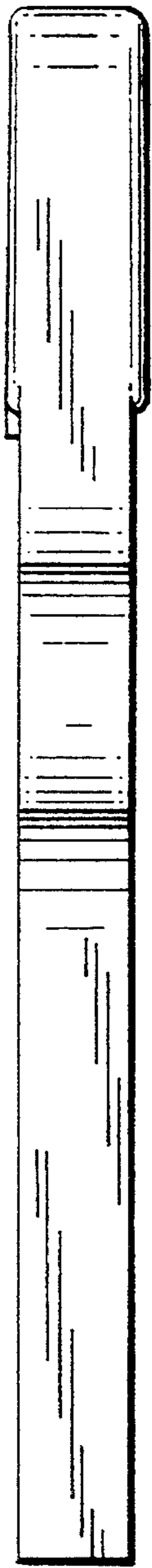


Fig. 18

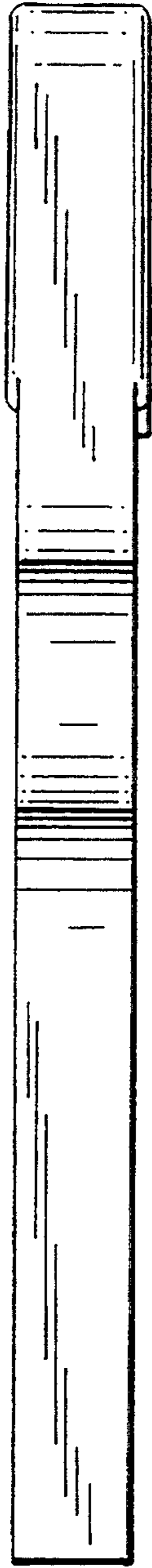


Fig. 19

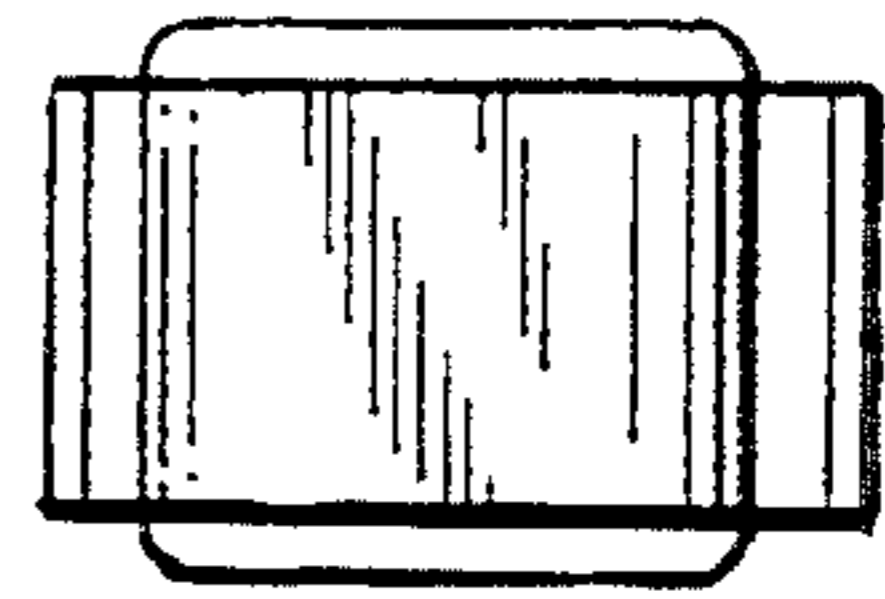


Fig. 20

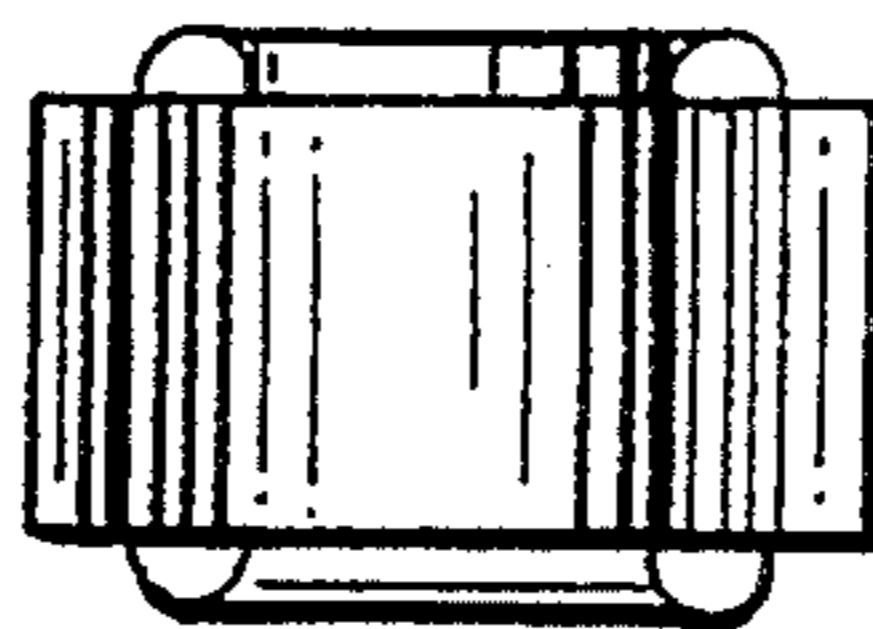


Fig. 21